



US00D368080S

United States Patent [19]

Aeschbacher et al.

[11] Patent Number: **Des. 368,080**

[45] Date of Patent: ****Mar. 19, 1996**

[54] **COMPUTER MOUSE**

[75] Inventors: **Daniel Aeschbacher**, Montreux;
Wolfgang Jönsson, La Tour-de-Peilz,
both of Switzerland

[73] Assignee: **Logitech SA**, Romanel s/Morges,
Switzerland

[**] Term: **14 Years**

[21] Appl. No.: **23,693**

[22] Filed: **May 31, 1994**

[30] Foreign Application Priority Data

Nov. 30, 1993 [XH] Hague Agreement DM/028570

[52] U.S. Cl. **D14/114**

[58] Field of Search D14/100, 114;
D13/158; D21/48; 178/18-19; 200/5 R,
5 A, 6 R, 6 A; 213/148 B; 273/148 B,
438; 345/156-167; 74/471 XY

[56] References Cited

U.S. PATENT DOCUMENTS

D. 328,458 8/1992 Barry D14/114

D. 348,057 6/1994 Bradley D14/114
D. 353,370 12/1994 Ashmun et al. D14/114
D. 357,238 4/1995 Zirinsky D14/114
4,952,919 8/1990 Nippoldt D14/114 X

Primary Examiner—M. H. Tung
Attorney, Agent, or Firm—Oblon, Spivak, McClelland,
Maier & Neustadt

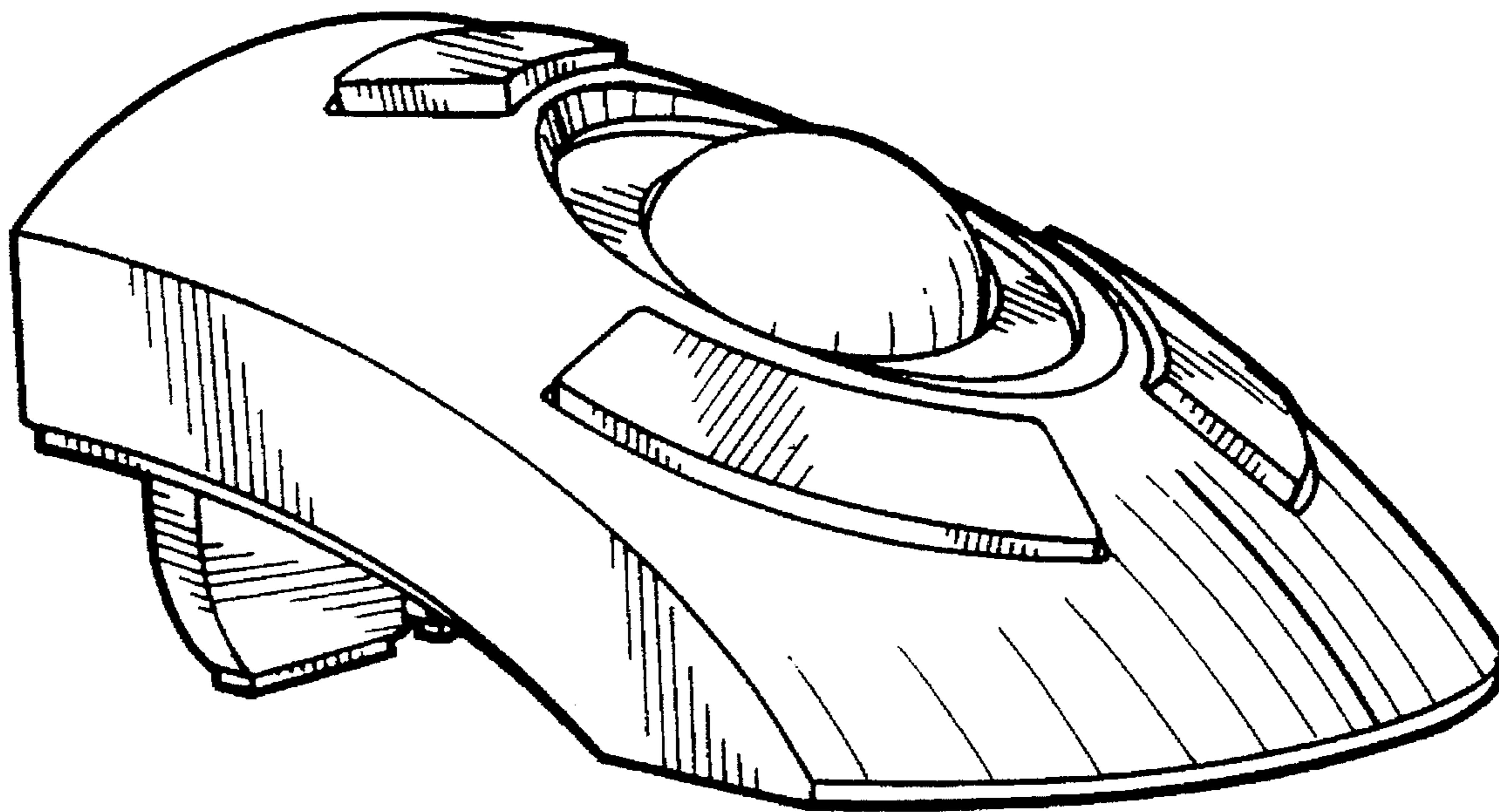
[57] CLAIM

The ornamental design for a computer mouse, as shown and described.

DESCRIPTION

FIG. 1 is a top, left and front perspective view of a computer mouse, showing our new design;
FIG. 2 is a left side view thereof, the right side view being a mirror image;
FIG. 3 is a top plan view thereof;
FIG. 4 is a front elevational view thereof;
FIG. 5 is a rear view thereof; and,
FIG. 6 is a bottom view thereof.

1 Claim, 2 Drawing Sheets



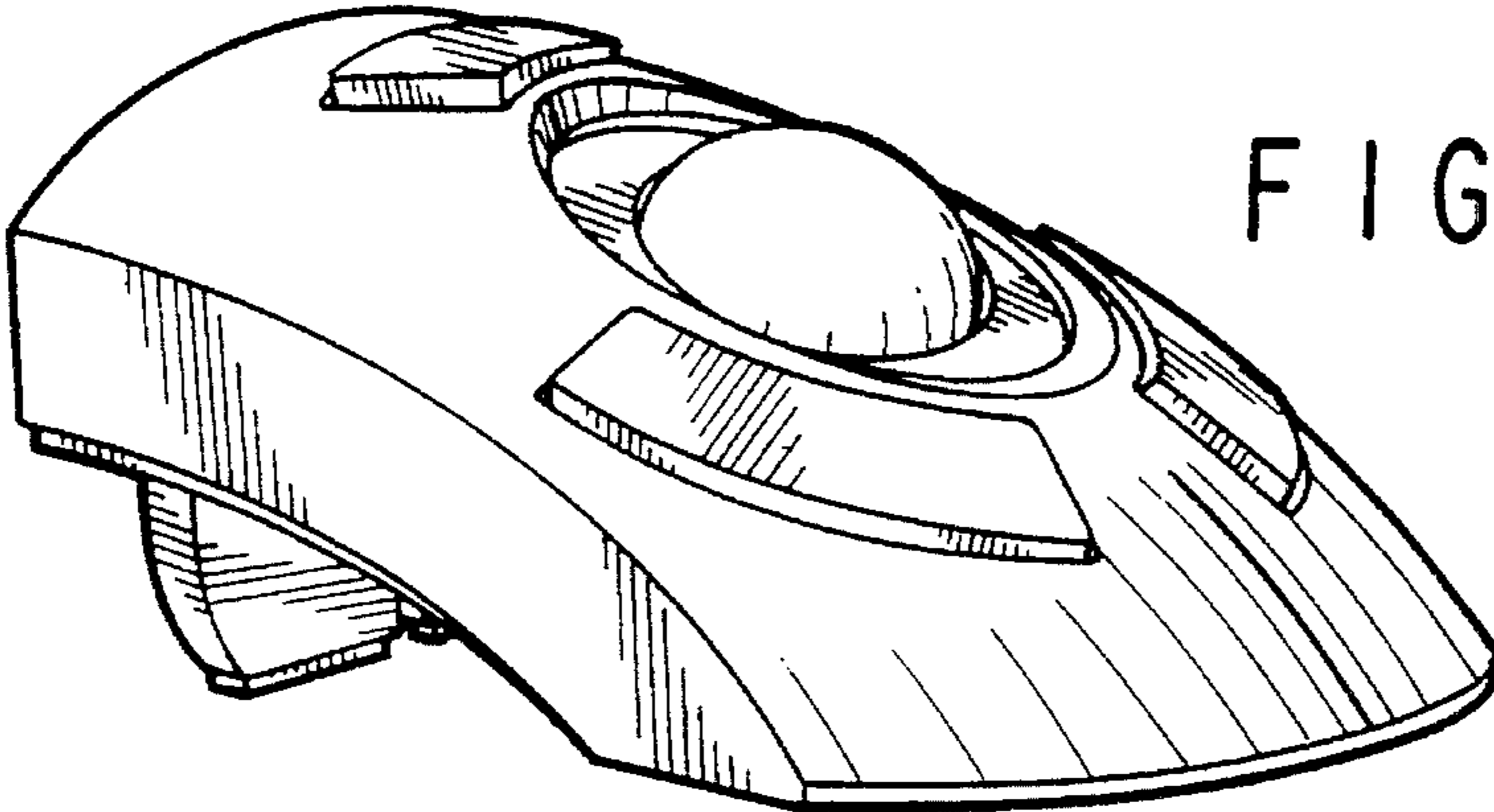


FIG. 1

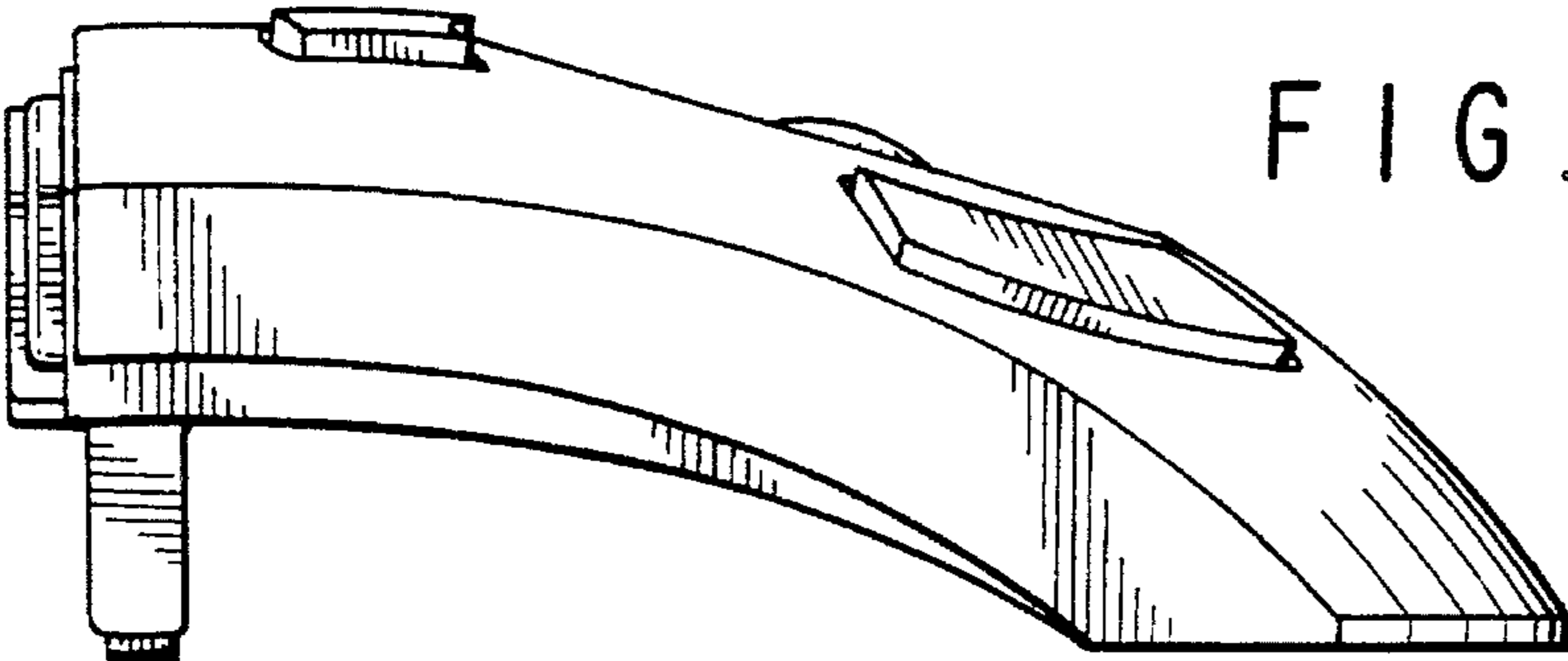


FIG. 2

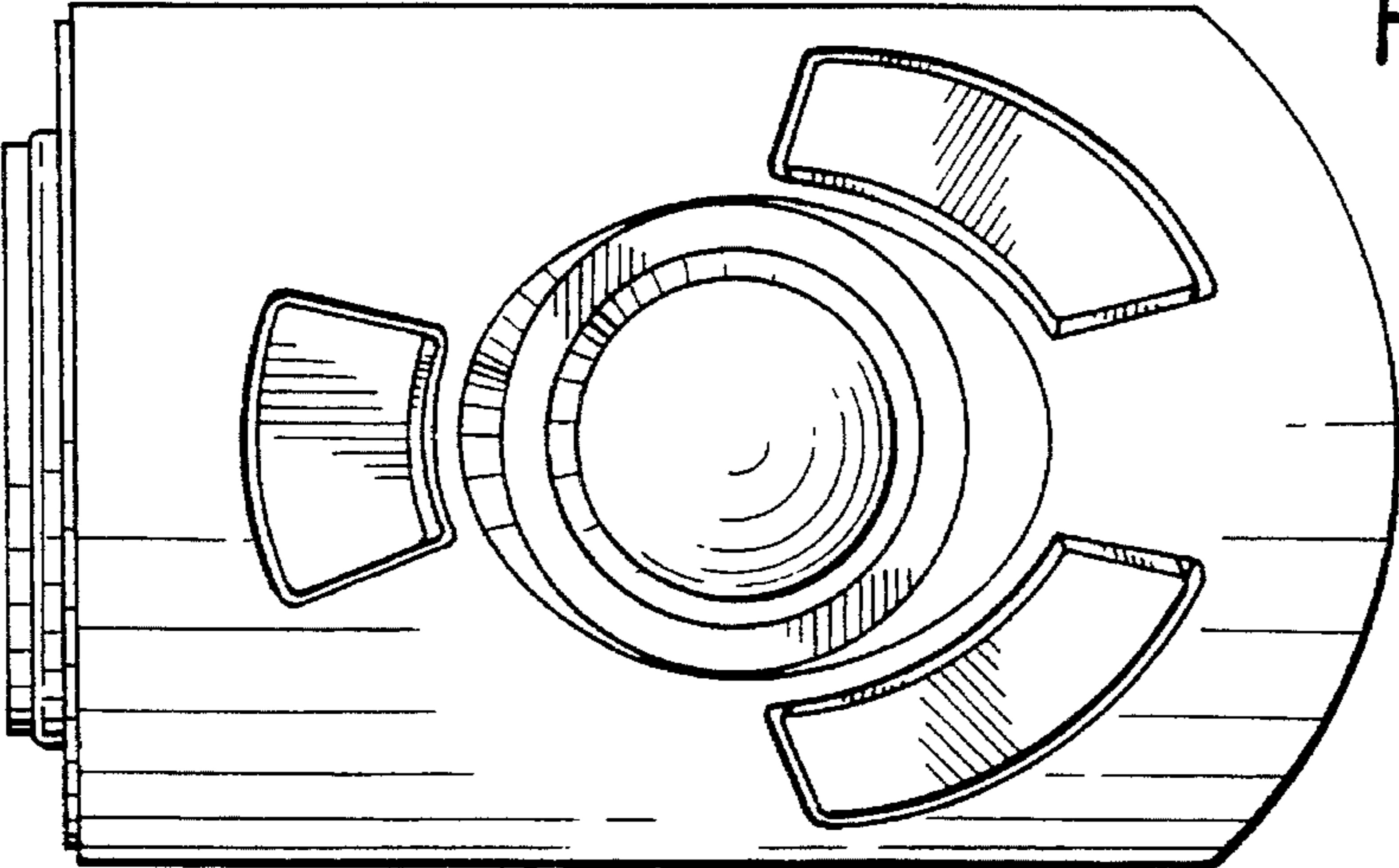


FIG. 3

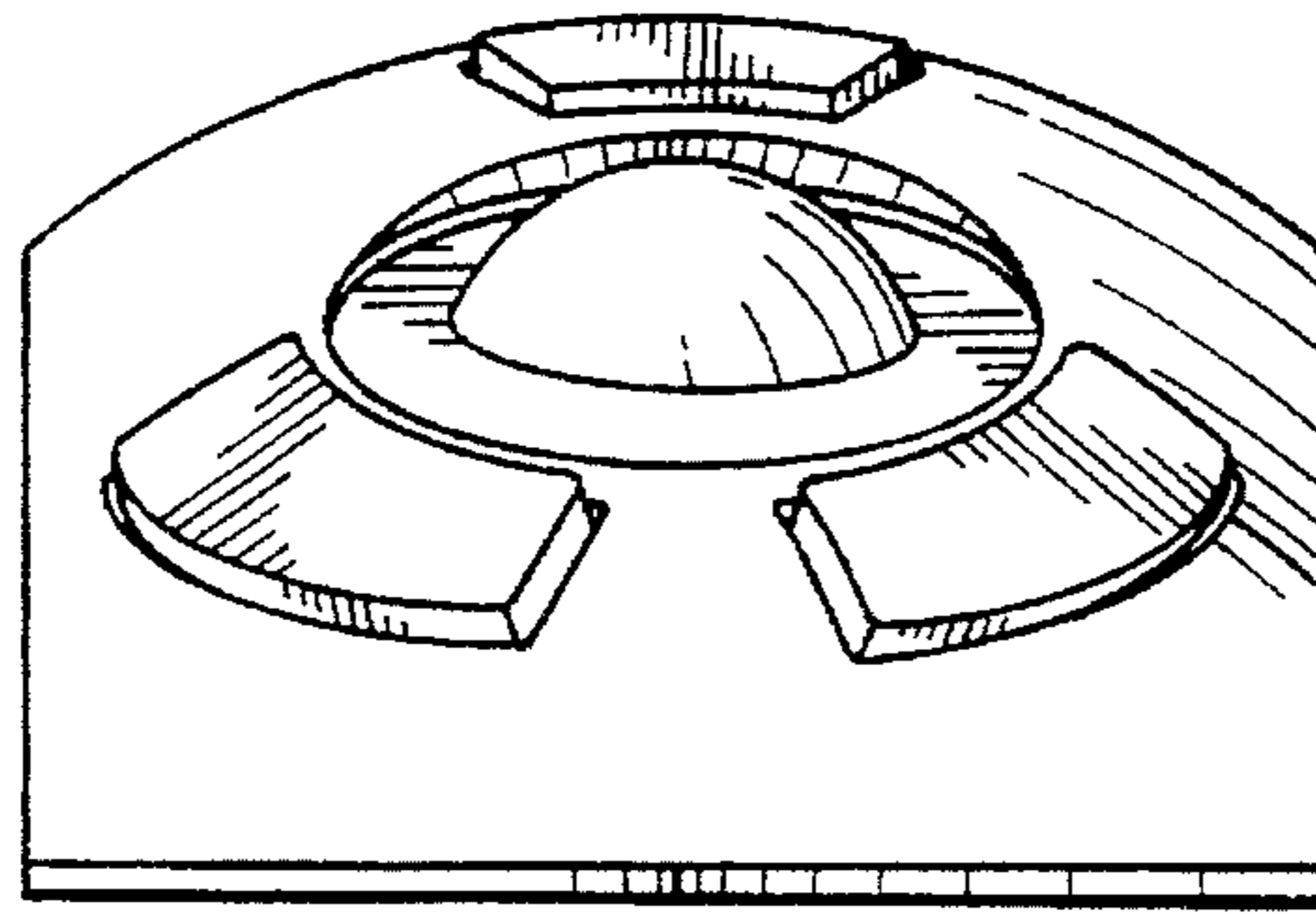


FIG. 4

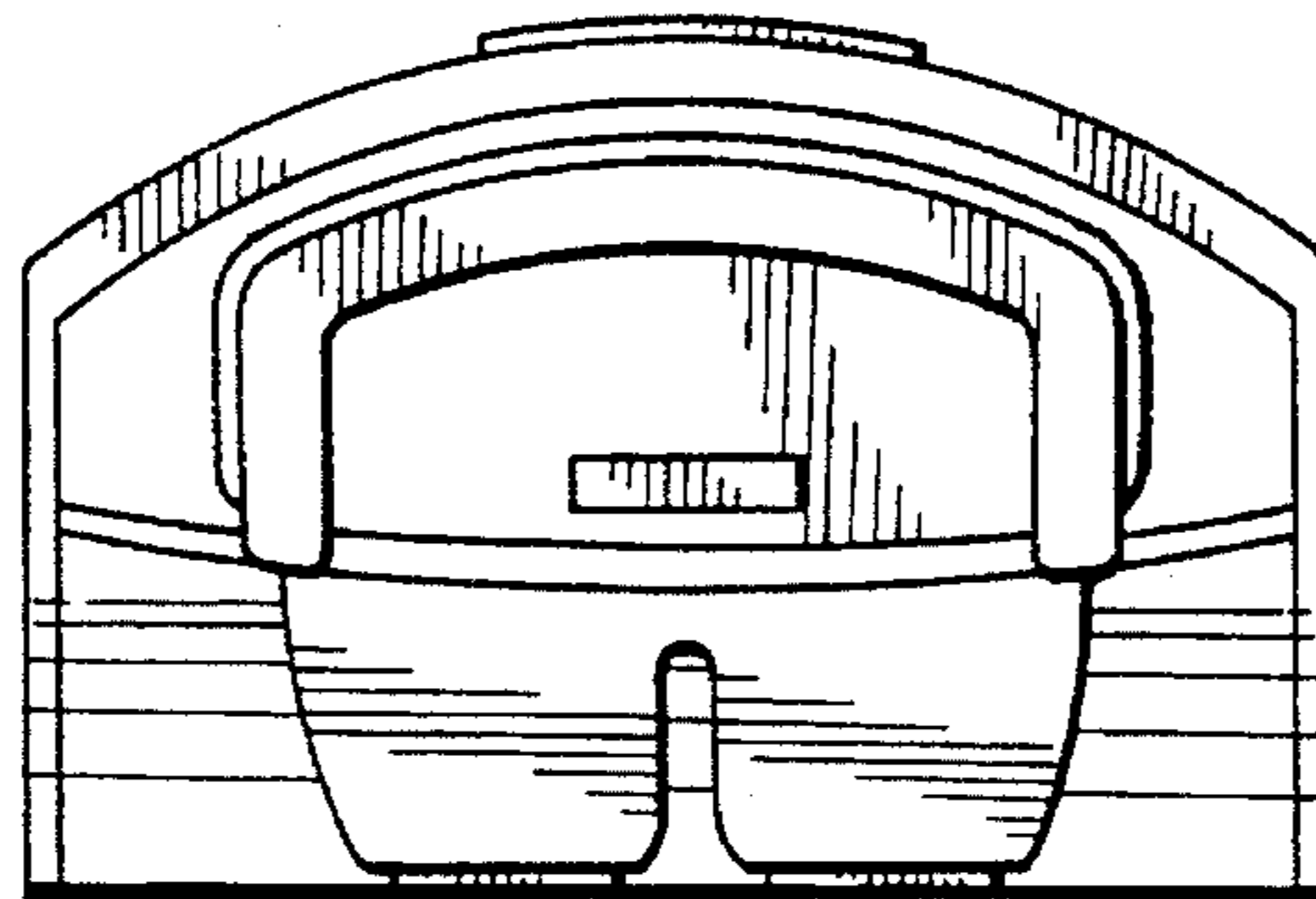


FIG. 5

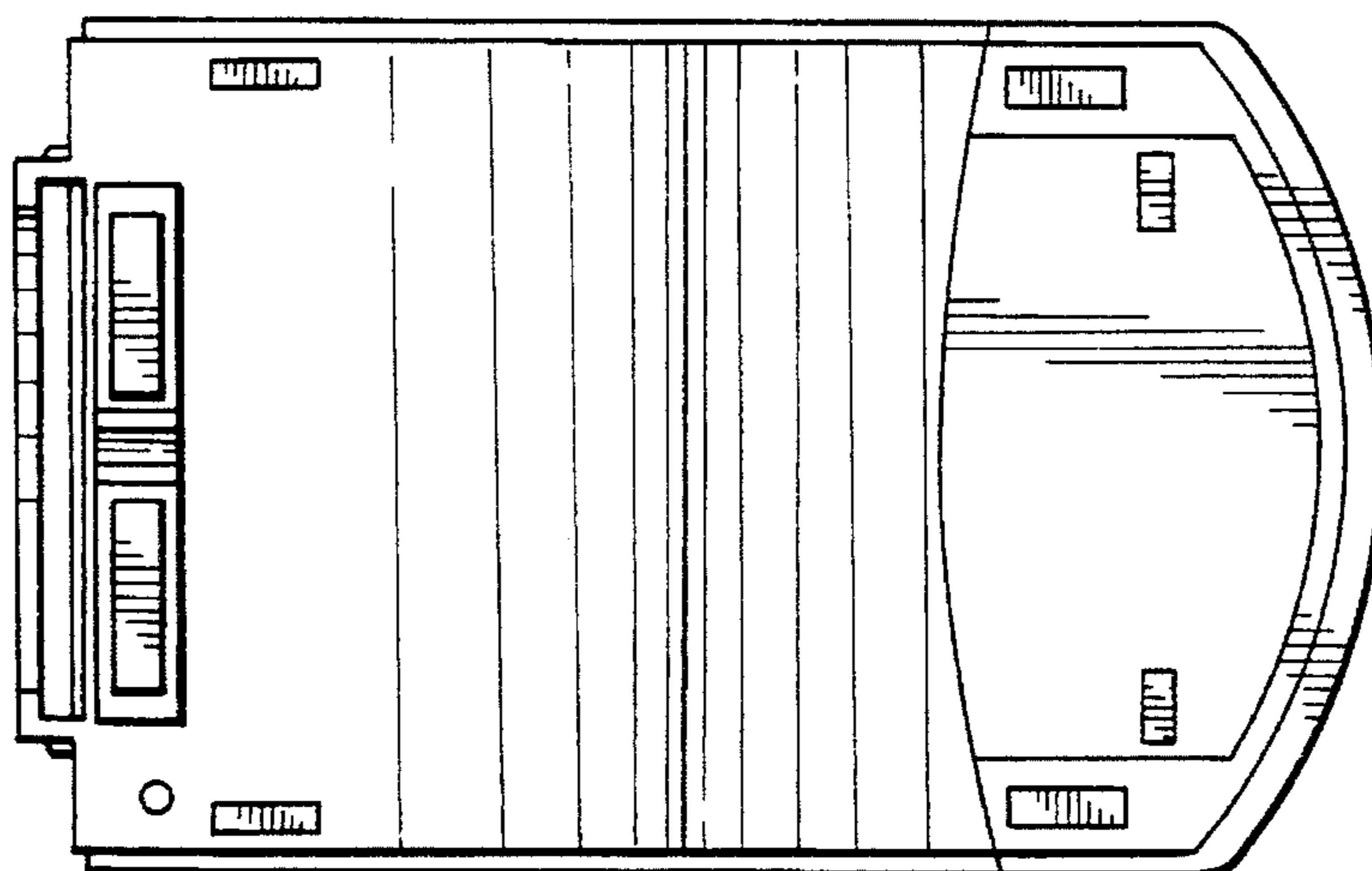


FIG. 6