



US00D368078S

United States Patent [19]

[11] Patent Number: **Des. 368,078**

Back

[45] Date of Patent: ****Mar. 19, 1996**

[54] **MONITOR FOR USE WITH A COMPUTER**

[75] Inventor: **Wun S. Back**, Seoul, Rep. of Korea

[73] Assignee: **Goldstar Co., Ltd.**, Rep. of Korea

[**] Term: **14 Years**

[21] Appl. No.: **24,380**

[22] Filed: **Jun. 13, 1994**

[30] **Foreign Application Priority Data**

Jan. 18, 1994 [KR] Rep. of Korea 940/1994

[52] **U.S. Cl.** **D14/113**

[58] **Field of Search** D14/100, 101,
D14/113, 129, 124-127, 106; 345/104,
133, 156, 168, 173, 87, 901-905; 358/249,
254, 255; 248/917-924

[56] **References Cited**

U.S. PATENT DOCUMENTS

D. 319,820 9/1991 Uchibori et al. D14/113

D. 340,922 11/1993 Barbera D14/113
D. 347,830 6/1994 Lundgren et al. D14/113
D. 350,341 9/1994 Landry D14/113
D. 350,946 9/1994 Stewart et al. D14/113

Primary Examiner—Freda Nunn
Attorney, Agent, or Firm—Beveridge, DeGrandi, Weilacher & Young

[57] **CLAIM**

The ornamental design for a monitor for use with a computer, as shown and described.

DESCRIPTION

FIG. 1 is a perspective view of a monitor for use with a computer;
FIG. 2 is a front elevational view thereof;
FIG. 3 is a rear elevational view thereof;
FIG. 4 is a top plan view thereof;
FIG. 5 is a bottom plan view thereof;
FIG. 6 is a left side elevational view thereof; and,
FIG. 7 is a right side elevational view thereof.

1 Claim, 4 Drawing Sheets

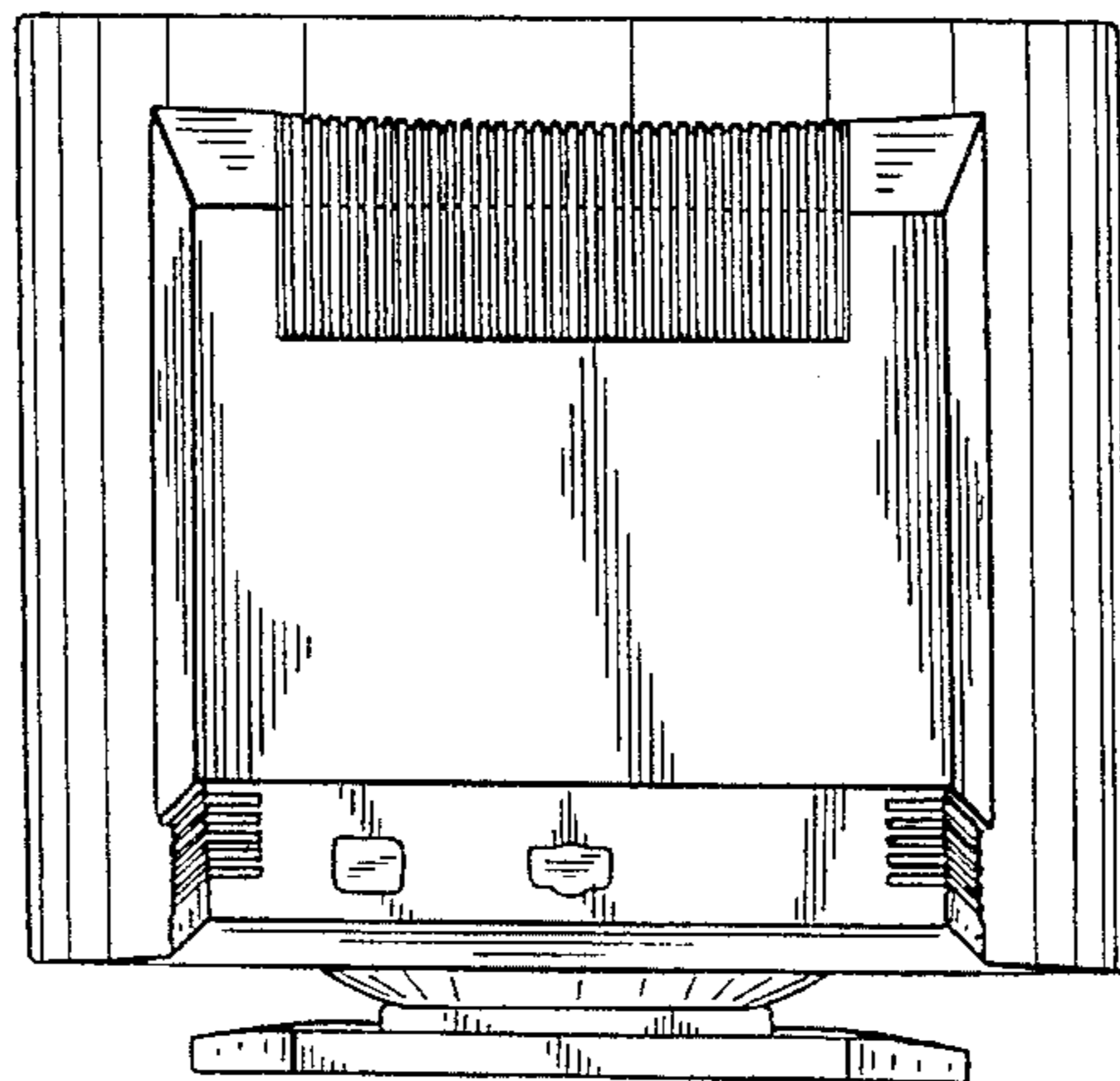
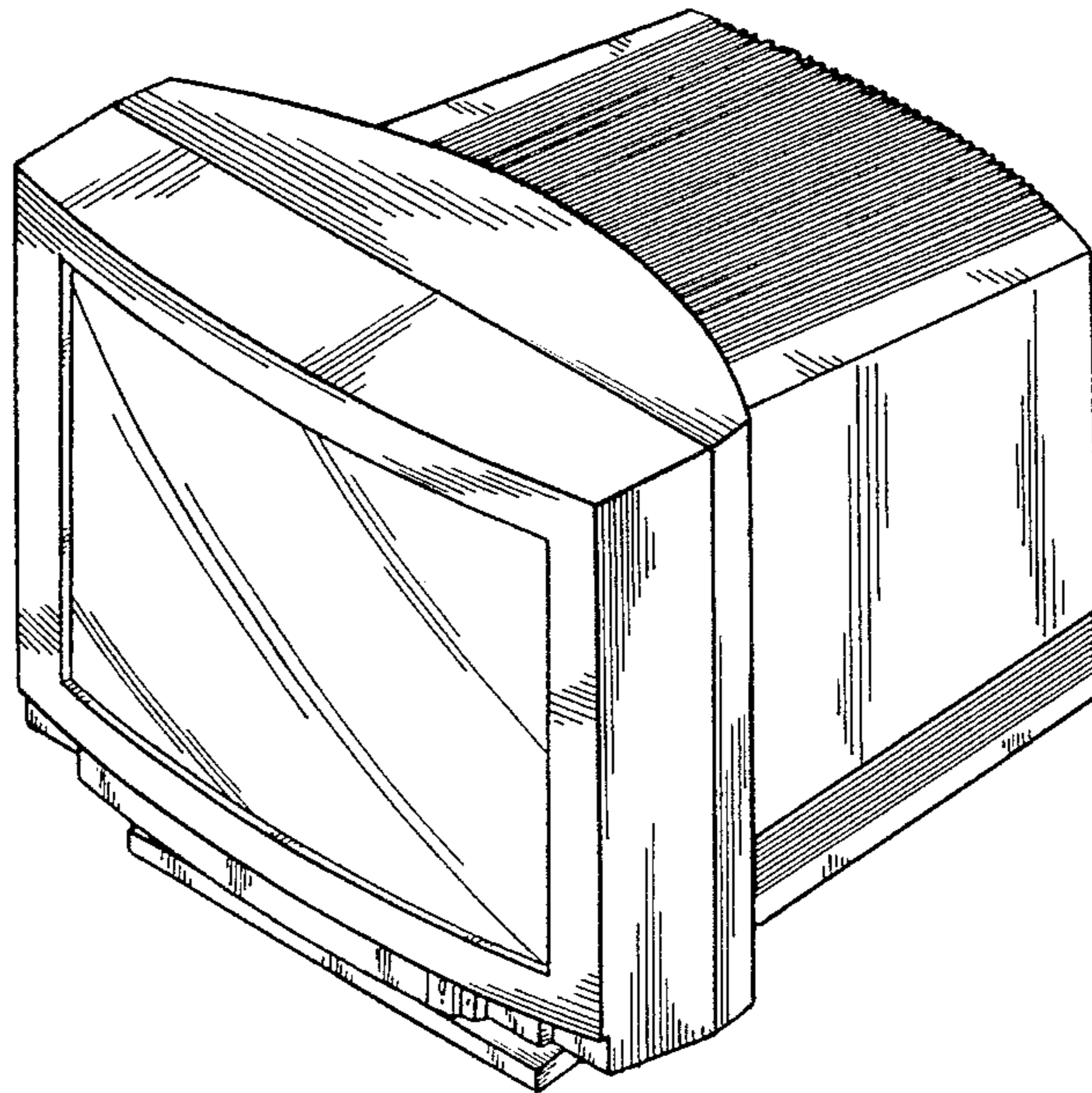


FIG. 1

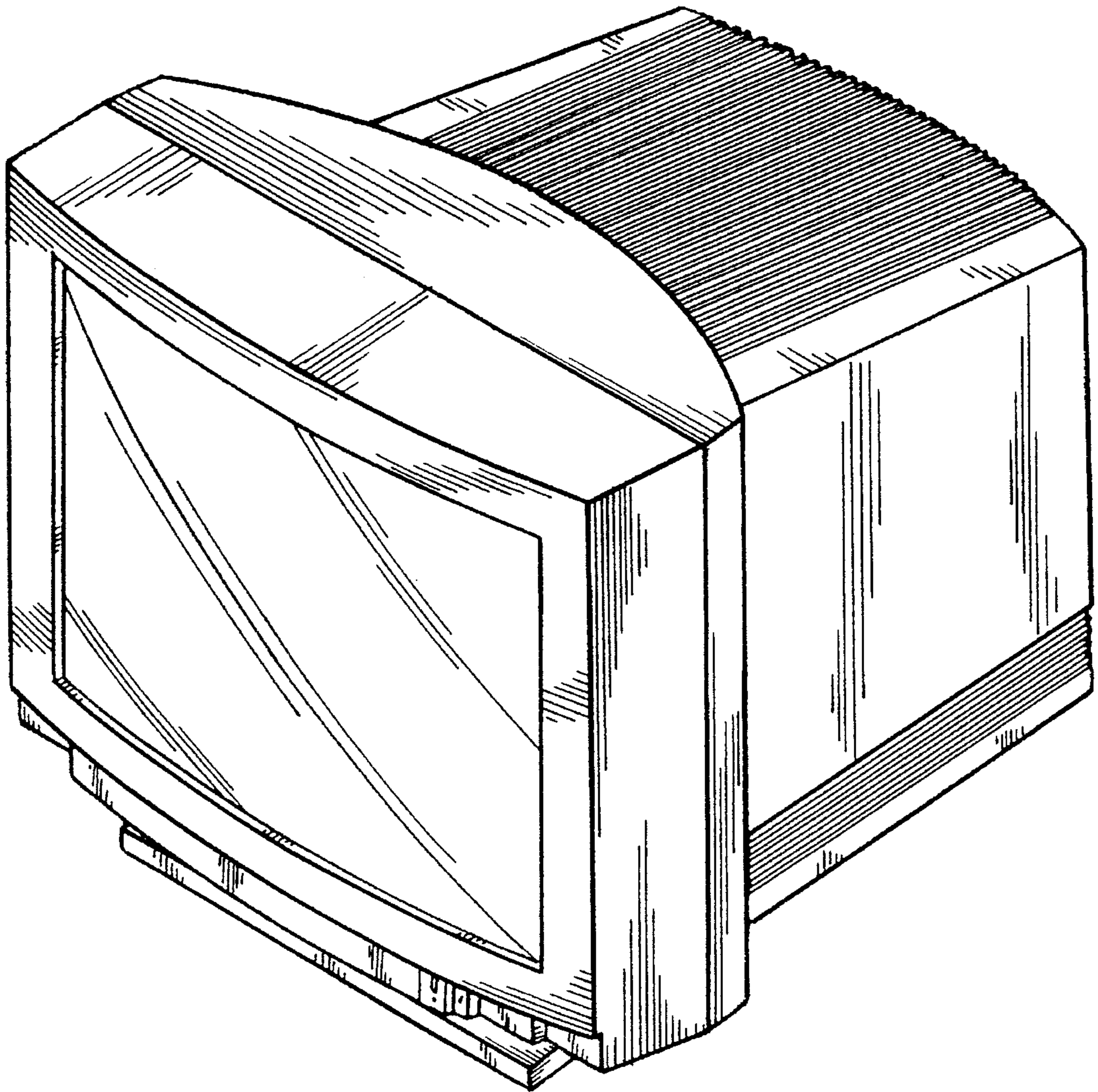


FIG. 2

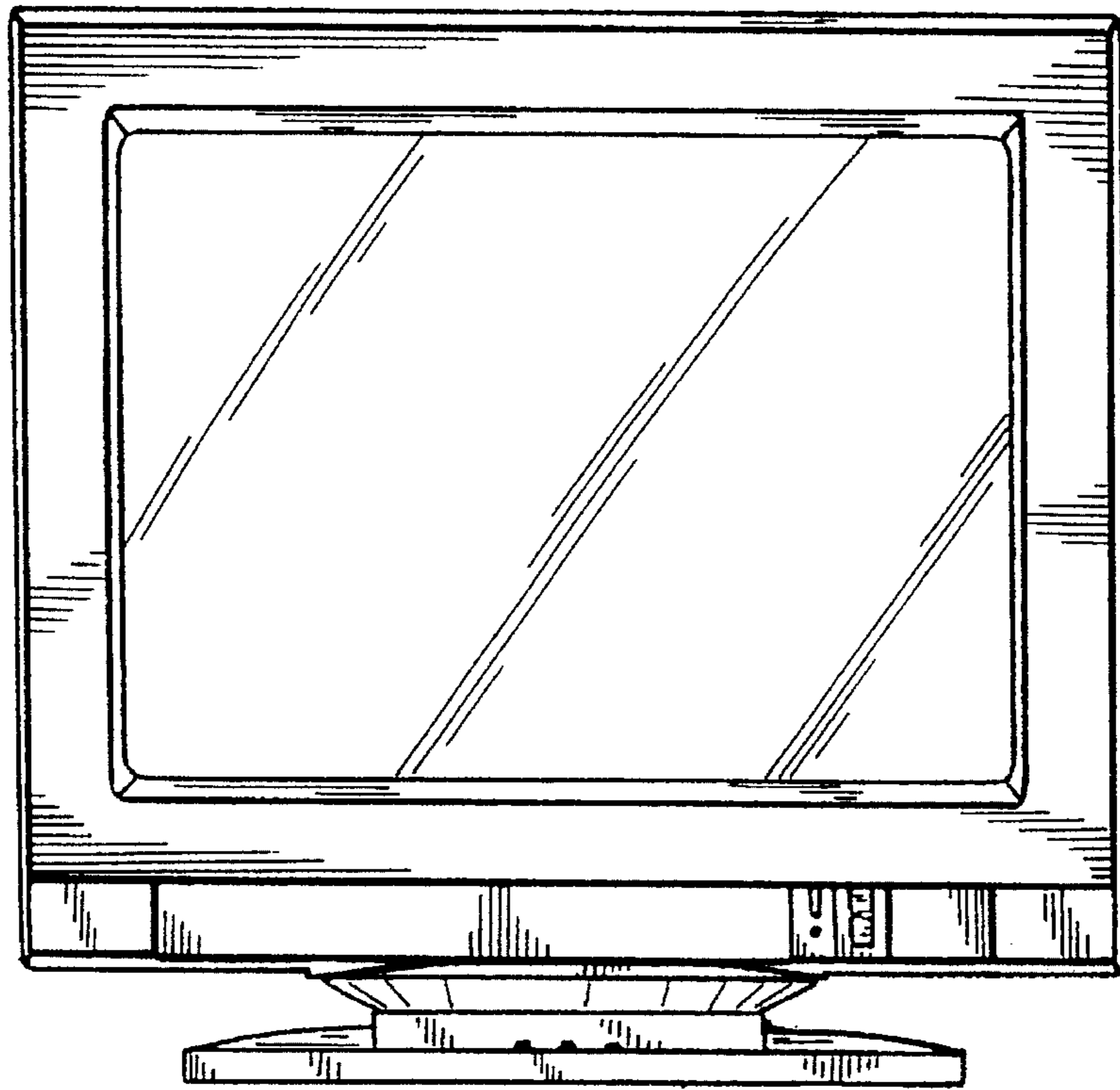


FIG. 3

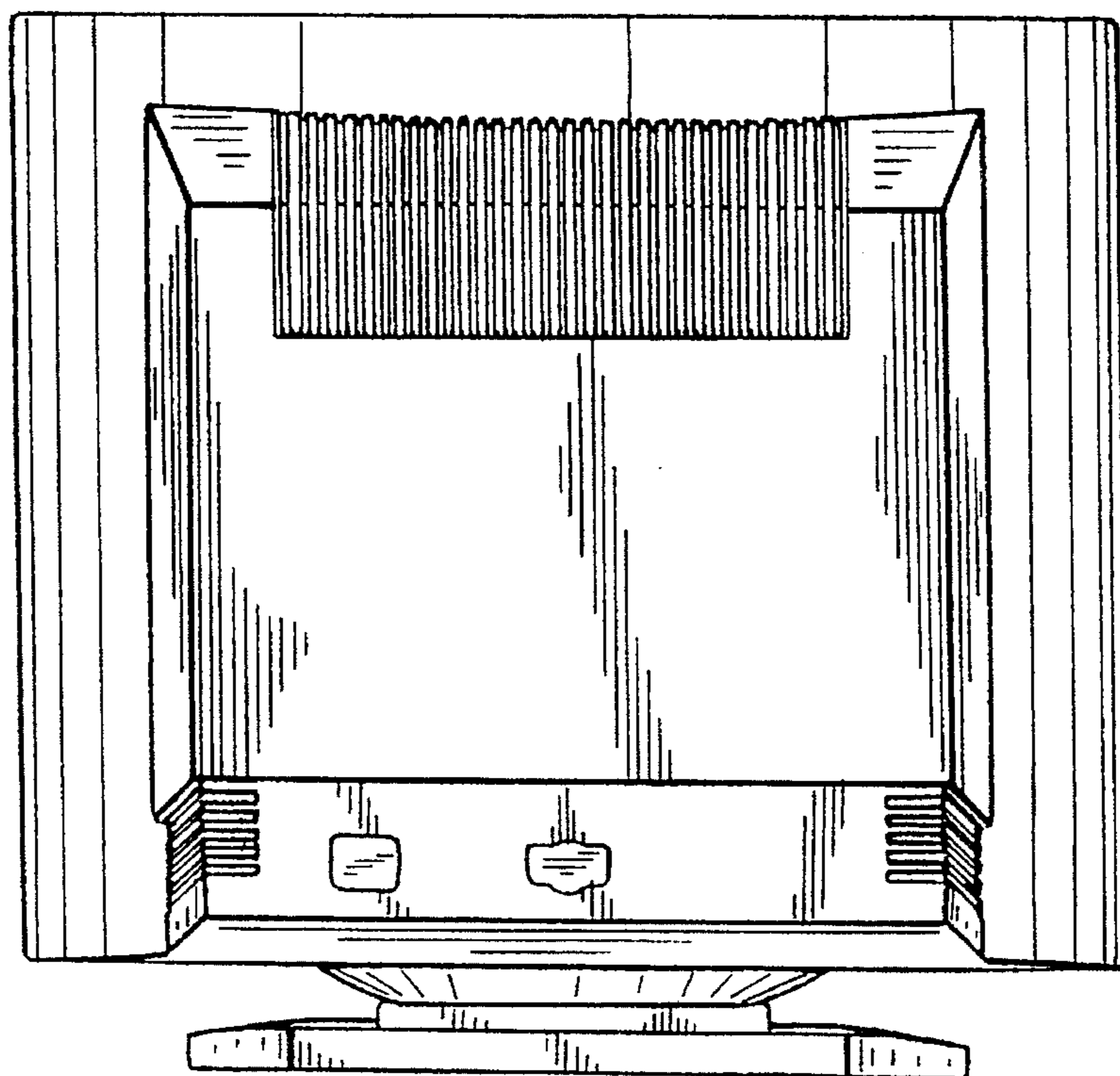


FIG. 4

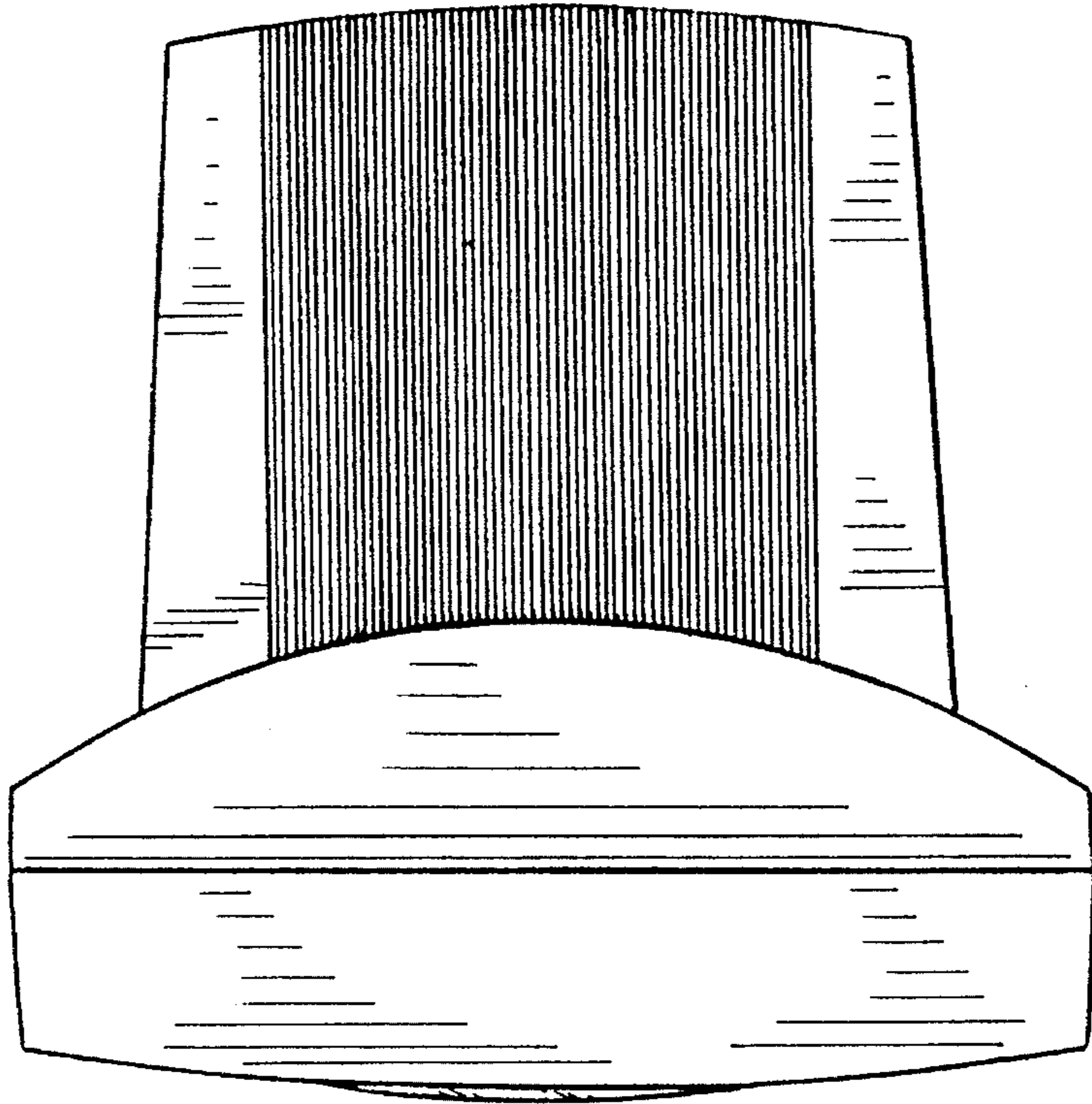


FIG. 5

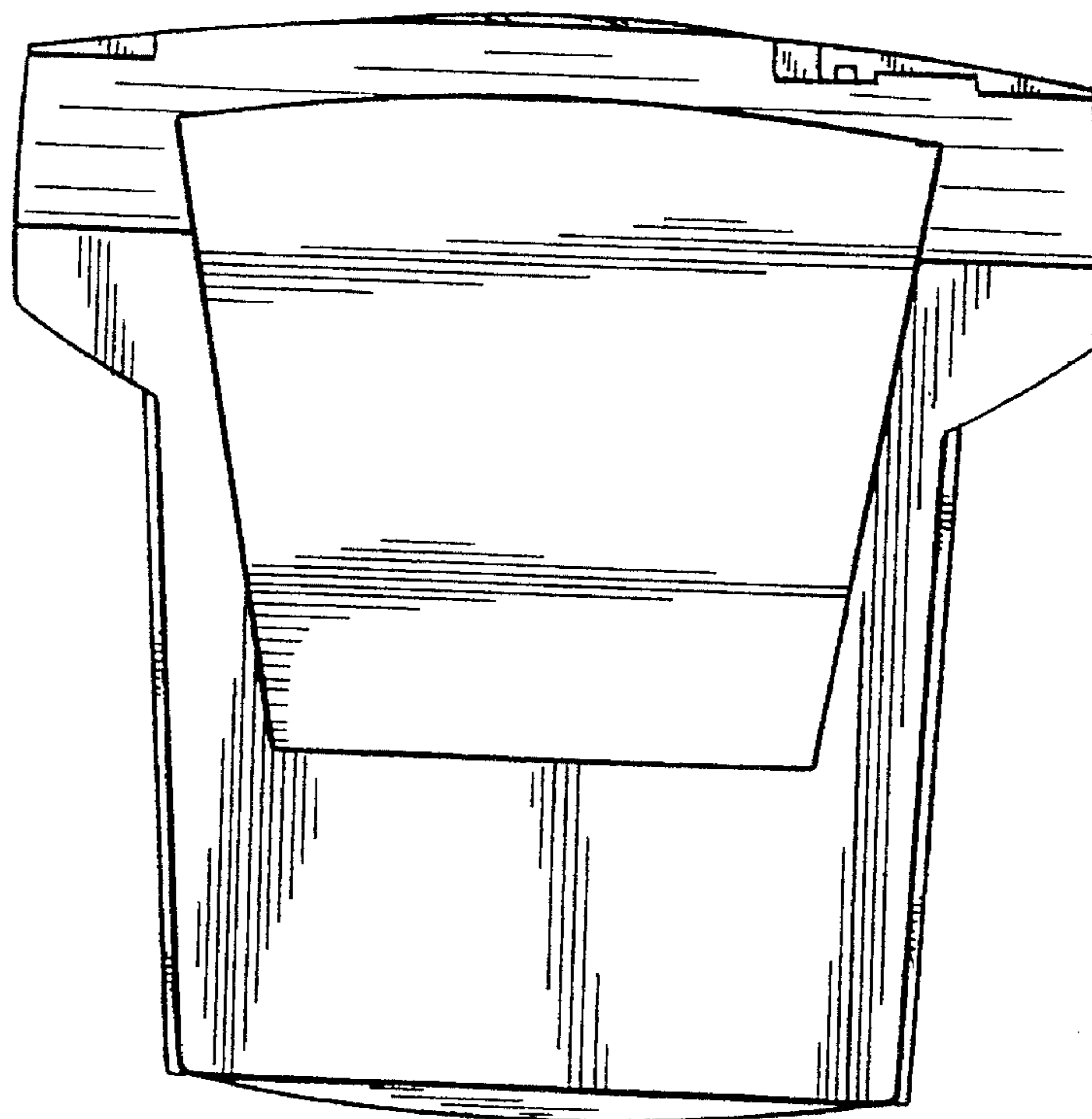


FIG. 6

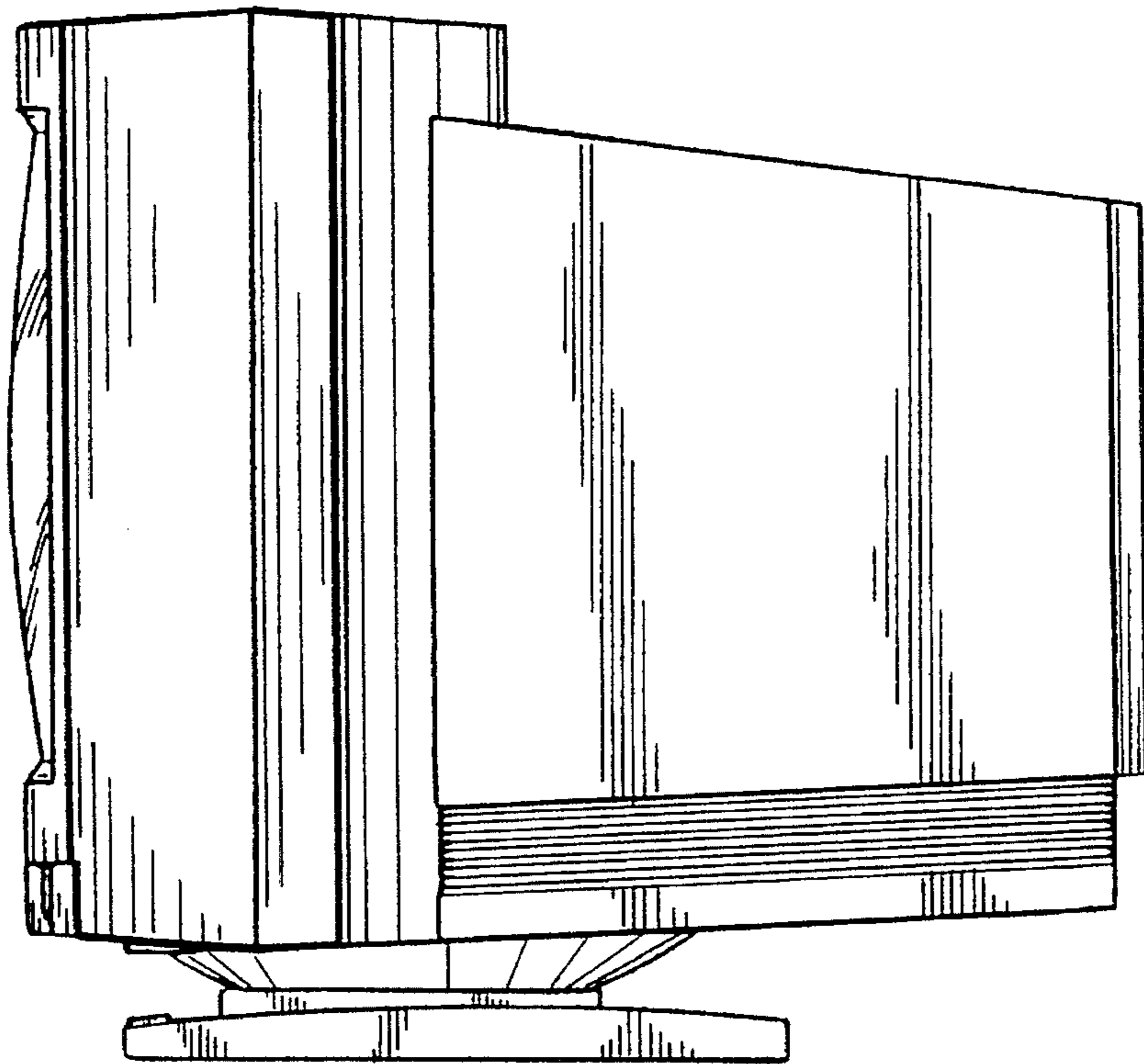


FIG. 7

