



US00D368077S

# United States Patent [19] Iino

[11] Patent Number: **Des. 368,077**

[45] Date of Patent: **\*\*Mar. 19, 1996**

[54] **ELECTRONIC COMPUTER**

67297 2/1987 Rep. of Korea .

[75] Inventor: **Masaaki Iino**, Saitama, Japan

(List continued on next page.)

[73] Assignee: **Kabushiki Kaisha Toshiba**, Kanagawa, Japan

### OTHER PUBLICATIONS

[\*\*] Term: **14 Years**

Sharp, May 19, 1974.

Data General One Advertisement, Sep. 28, 1984.

Data General One, May 23, 1985.

Data General One, Model 2J, May 20, 1987.

MultiSpeed E1 Model, May 10, 1988.

NEC, PC-99801 LV21, May 13, 1988.

NEC, PC-98 LT, Jul. 14, 1988.

Rico-Magus, Feb. 1, 1990.

NoteMaster 386S/16, Nov. 12, 1990.

52Note, May 15, 1991.

Premium Exec, Jun. 1, 1991.

Goldstar, Jun. 1, 1991.

Tavel Mate-Texas Instruments, Feb. 5, 1992.

ifNote, Oki, obtained, Feb. 5, 1992.

3865x/25 Color, Ast, obtained Oct. 25, 1991.

Notemaster Samsung, obtained Sep. 17, 1992.

Upgradeable 486 Power, Jun. 22, 1992.

NT-300, Dec. 20, 1991.

[21] Appl. No.: **36,086**

[22] Filed: **Mar. 13, 1995**

### [30] Foreign Application Priority Data

Sep. 30, 1994 [JP] Japan ..... 6-29545

[52] U.S. Cl. .... **D14/106**

[58] Field of Search ..... D14/100, 101,  
D14/106, 113, 115, 124-127; D18/1, 7;  
235/145 A, 145 R; 341/22, 23; 345/104,  
156, 168, 173, 901-905, 87; 361/679-686;  
364/708.1, 709.04, 709.12; 400/486, 489

### [56] References Cited

#### U.S. PATENT DOCUMENTS

D. 280,511 9/1985 Moggridge et al. .

D. 290,845 7/1987 Yubisui et al. .

D. 291,442 8/1987 Kurihara .

D. 299,031 12/1988 Sugano .

D. 306,285 2/1990 Yu .

(List continued on next page.)

#### FOREIGN PATENT DOCUMENTS

9103696 5/1991 Germany .

9107941 5/1994 Germany .

499866 9/1979 Japan .

650470 5/1985 Japan .

685121 8/1986 Japan .

686658 9/1986 Japan .

695931 12/1986 Japan .

746985 4/1989 Japan .

763855 6/1989 Japan .

763838 6/1989 Japan .

872105 7/1993 Japan .

894367 3/1994 Japan .

893156 3/1994 Japan .

893044 3/1994 Japan .

*Primary Examiner*—Freda Nunn

*Attorney, Agent, or Firm*—Banner & Allegretti, Ltd.

### [57] CLAIM

The ornamental design for an electronic computer, as shown and described.

### DESCRIPTION

FIG. 1 is a top, front and right side perspective view of an electronic computer showing my new design;

FIG. 2 is a front elevational view thereof;

FIG. 3 is a rear elevational view thereof;

FIG. 4 is a top plan view thereof;

FIG. 5 is a bottom plan view thereof;

FIG. 6 is a left side elevational view thereof;

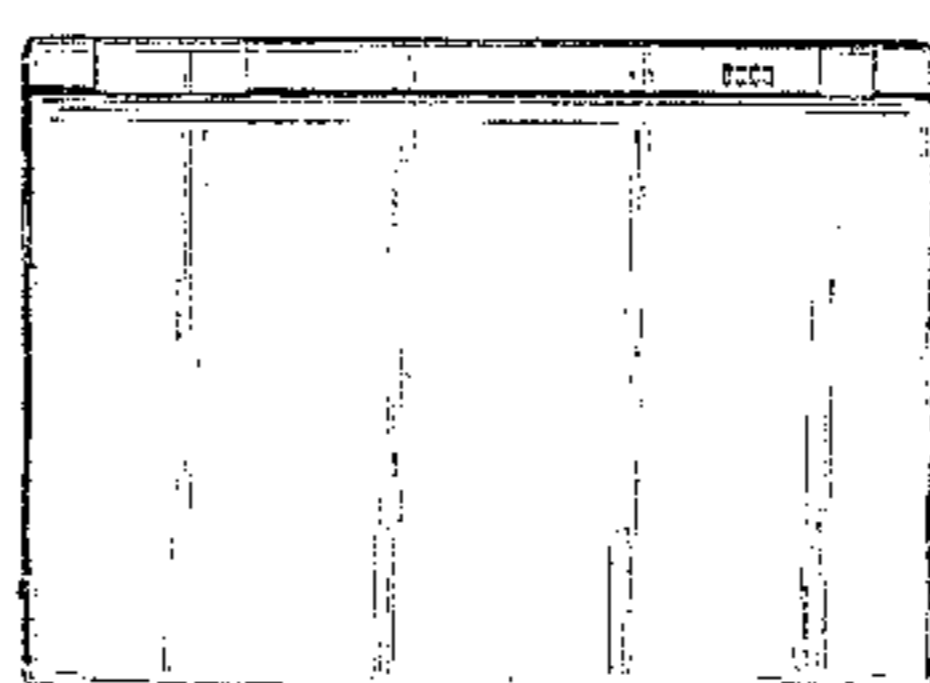
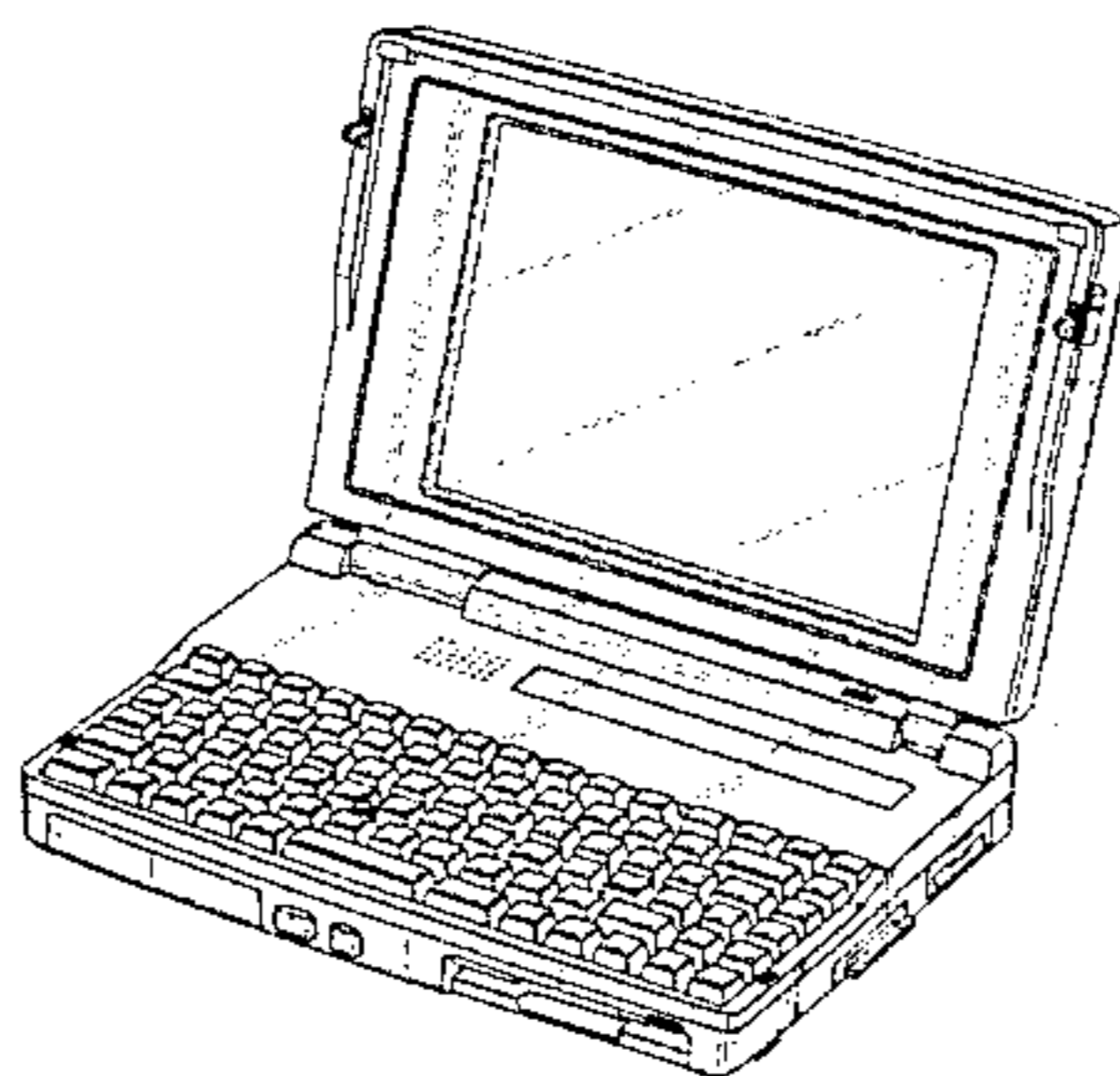
FIG. 7 is a right side elevational view thereof;

FIG. 8 is a front elevational view thereof in closed position;

FIG. 9 is a right side elevational view thereof in closed position; and,

FIG. 10 is a top plan view thereof in closed position.

**1 Claim, 5 Drawing Sheets**



U.S. PATENT DOCUMENTS

D. 308,050 5/1990 Sugano et al. .  
 D. 308,860 6/1990 Tsukada et al. .  
 D. 310,353 9/1990 Sugano et al. .  
 D. 310,828 9/1990 Grundstrom et al. .  
 D. 311,527 10/1990 Fujii et al. .  
 D. 314,558 2/1991 Iino .  
 D. 317,442 6/1991 Gintz et al. .  
 D. 321,176 10/1991 Ma .  
 D. 324,674 3/1992 Iino .  
 D. 328,288 7/1992 Izaki .  
 D. 331,919 12/1992 Sekino et al. .  
 D. 334,558 4/1993 Iino .  
 D. 335,124 4/1993 Mizusugi et al. .  
 D. 335,868 5/1993 Toedter .  
 D. 335,870 5/1993 Yun .  
 D. 336,076 6/1993 Masaaki .  
 D. 337,096 7/1993 Iino .  
 D. 338,128 8/1993 Peng .

D. 338,660 8/1993 Youens .  
 D. 339,795 9/1993 Kelly .  
 D. 345,550 3/1994 Iino .  
 D. 345,552 3/1994 Mundt .  
 D. 346,369 4/1994 Iino .  
 D. 349,106 7/1994 Iino et al. .  
 D. 350,121 8/1994 Kaneko ..... D14/106  
 D. 356,070 3/1995 Iino ..... D14/106

FOREIGN PATENT DOCUMENTS

94470 9/1989 Rep. of Korea .  
 113906 5/1991 Rep. of Korea .  
 115245 6/1991 Rep. of Korea .  
 115780 7/1991 Rep. of Korea .  
 118263 9/1991 Rep. of Korea .  
 119257 10/1991 Rep. of Korea .  
 130595 9/1992 Rep. of Korea .  
 149344 1/1991 Taiwan .

FIG. 1

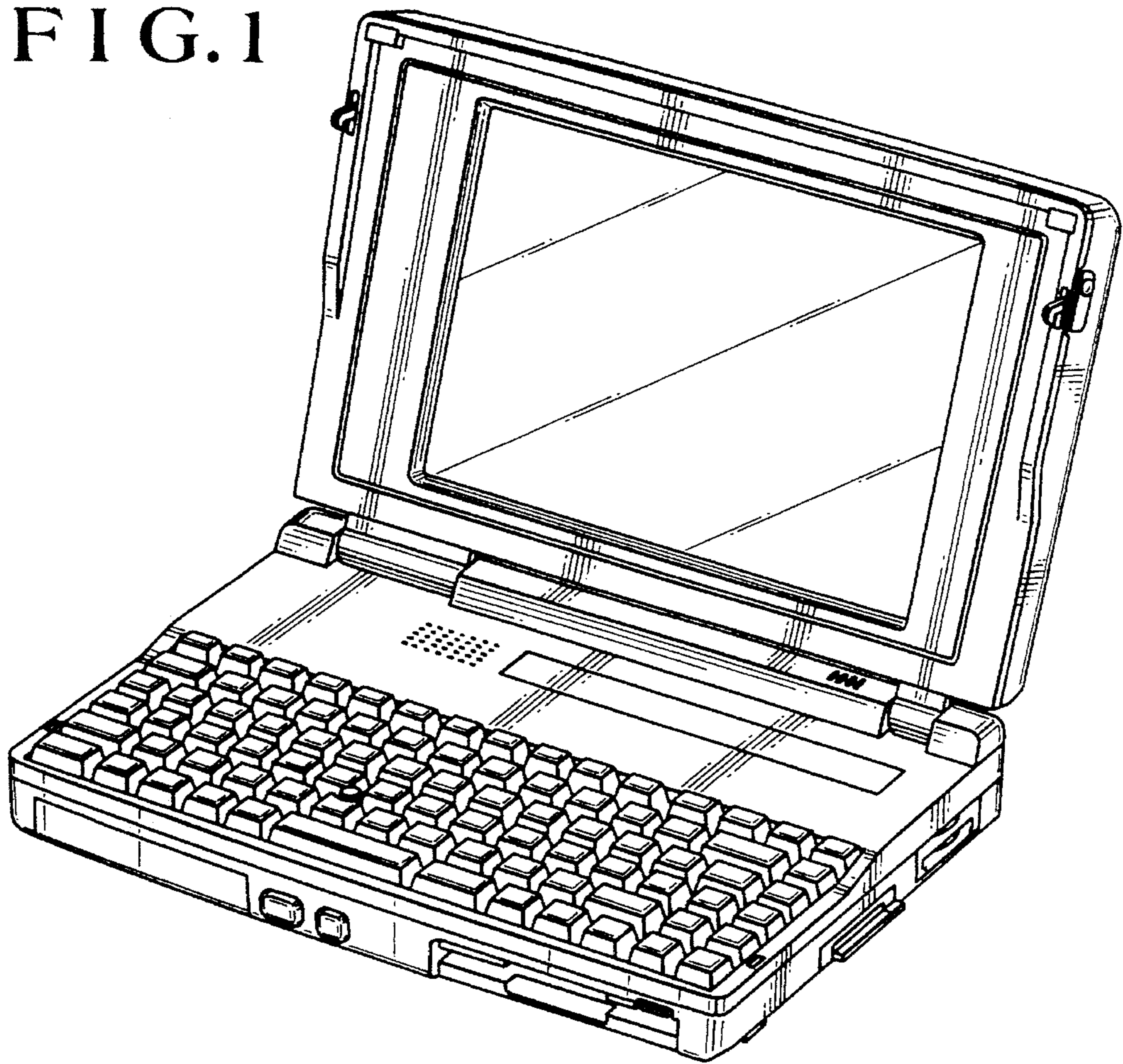


FIG. 2

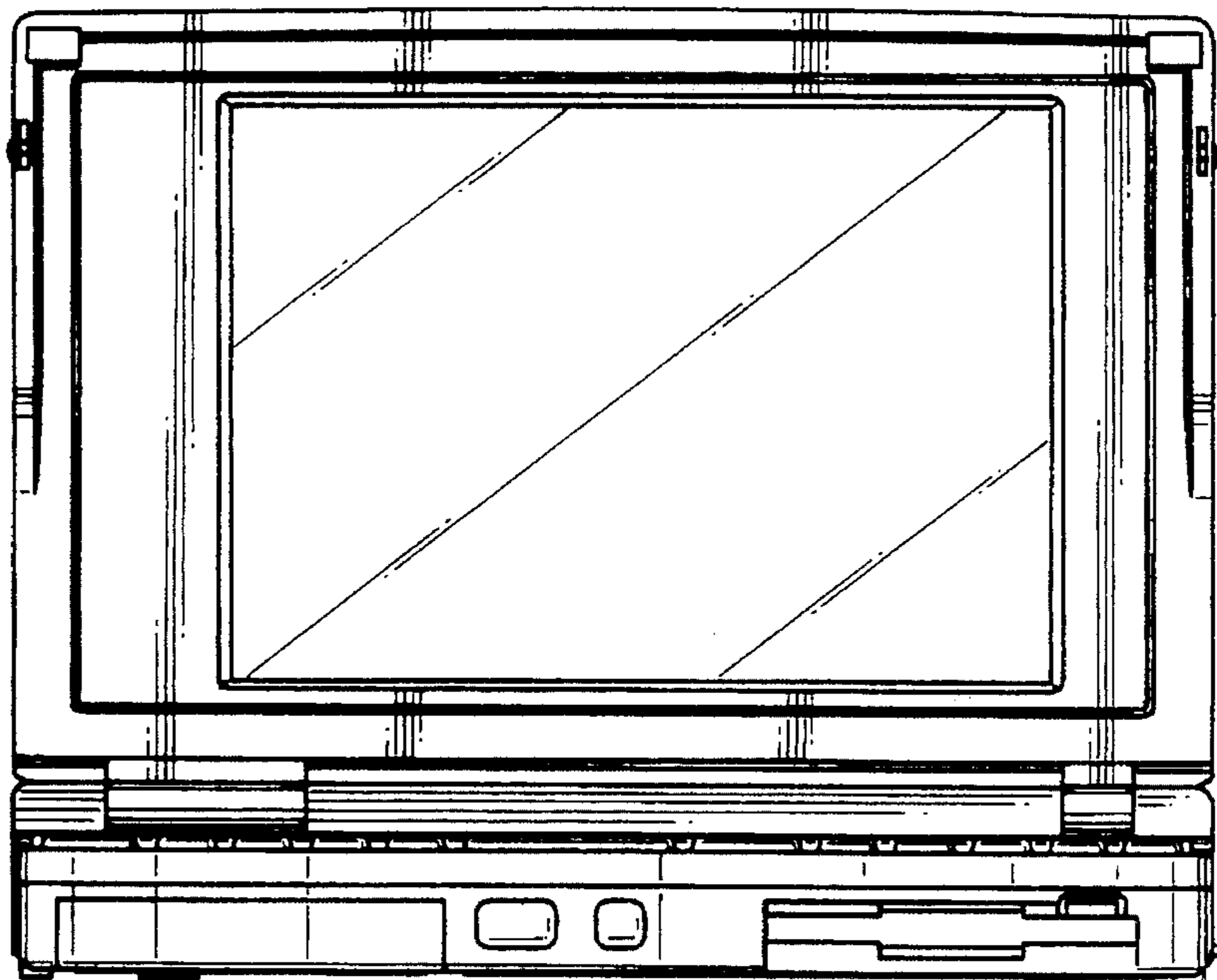




FIG.3

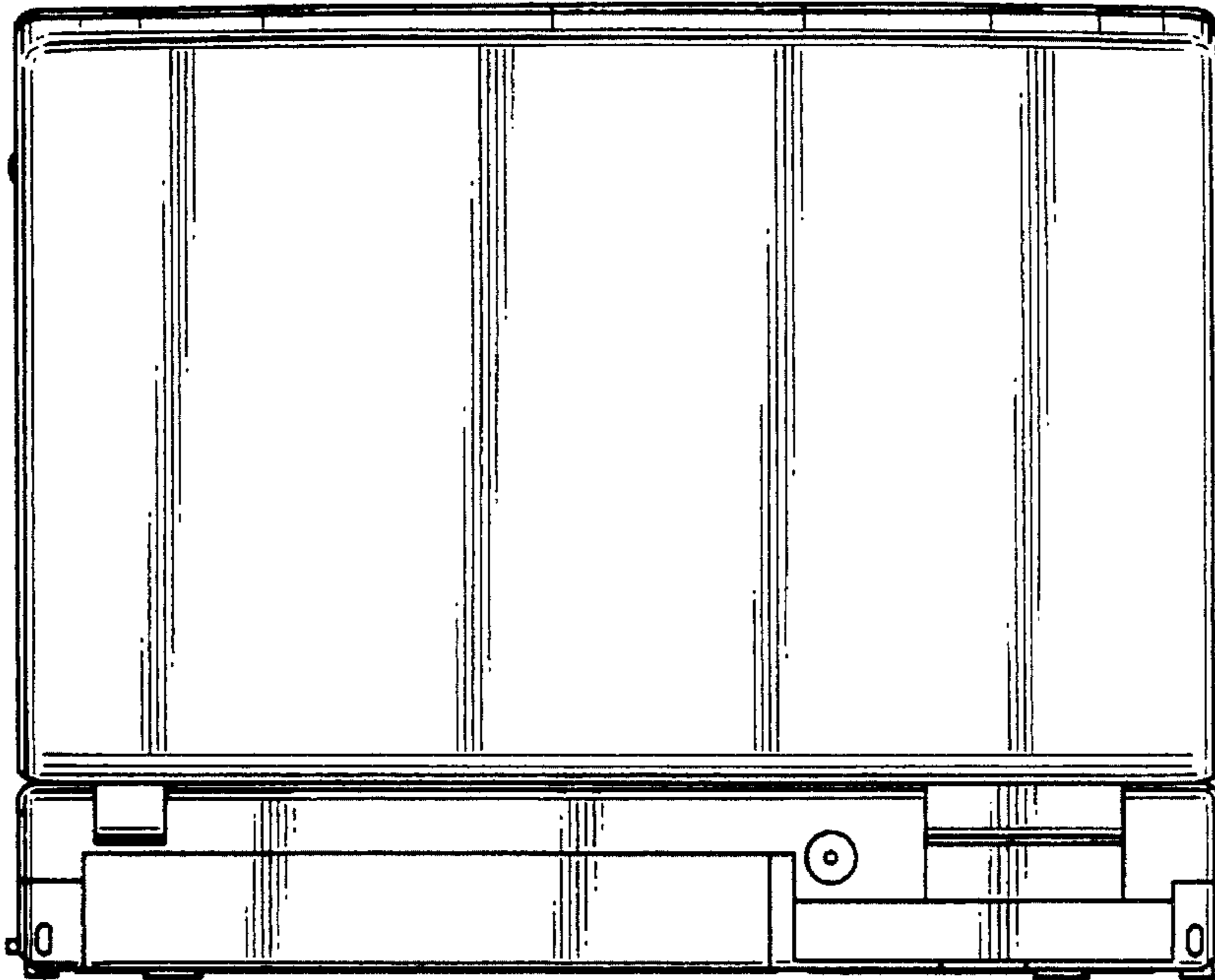


FIG.4

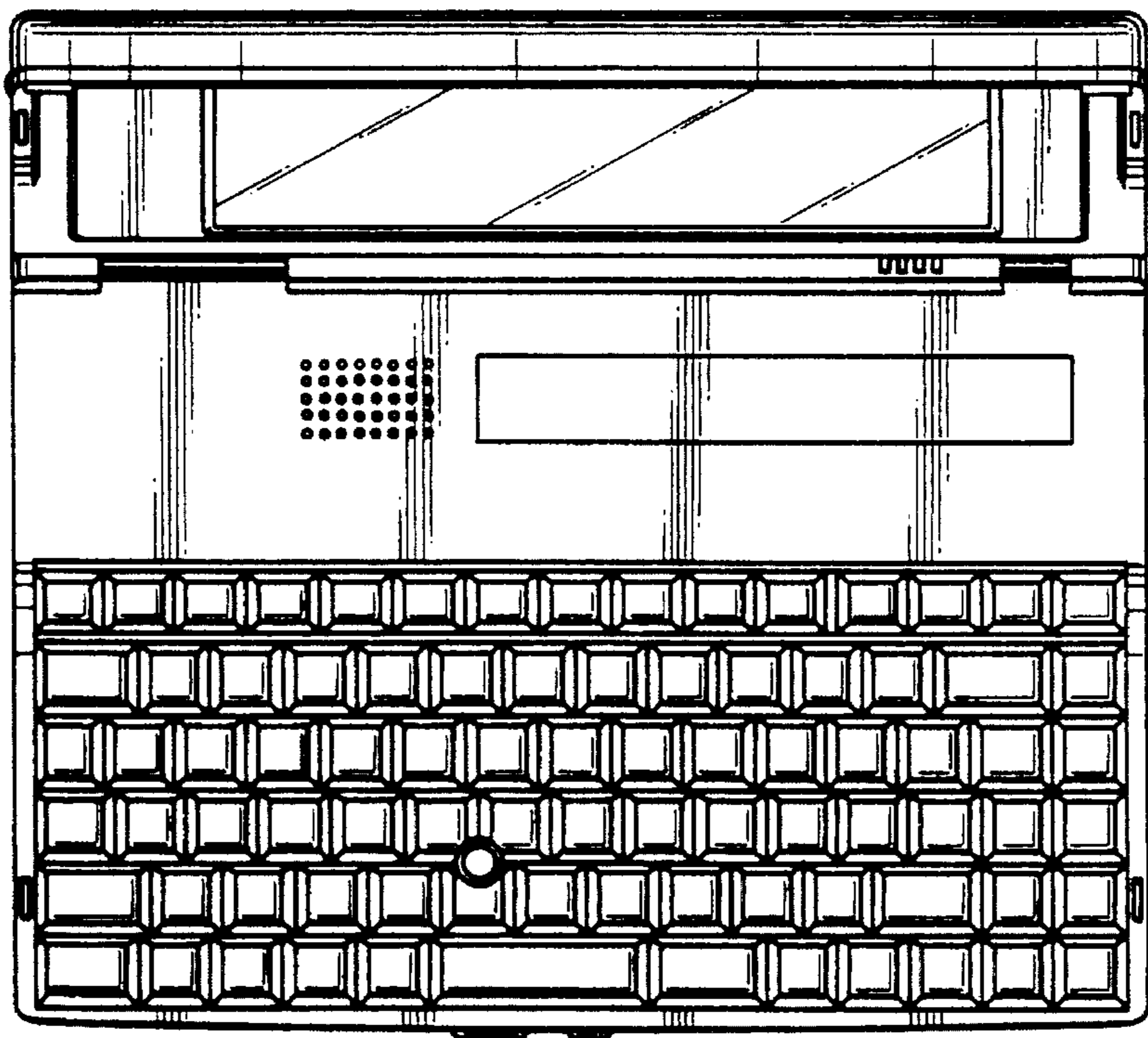


FIG.5

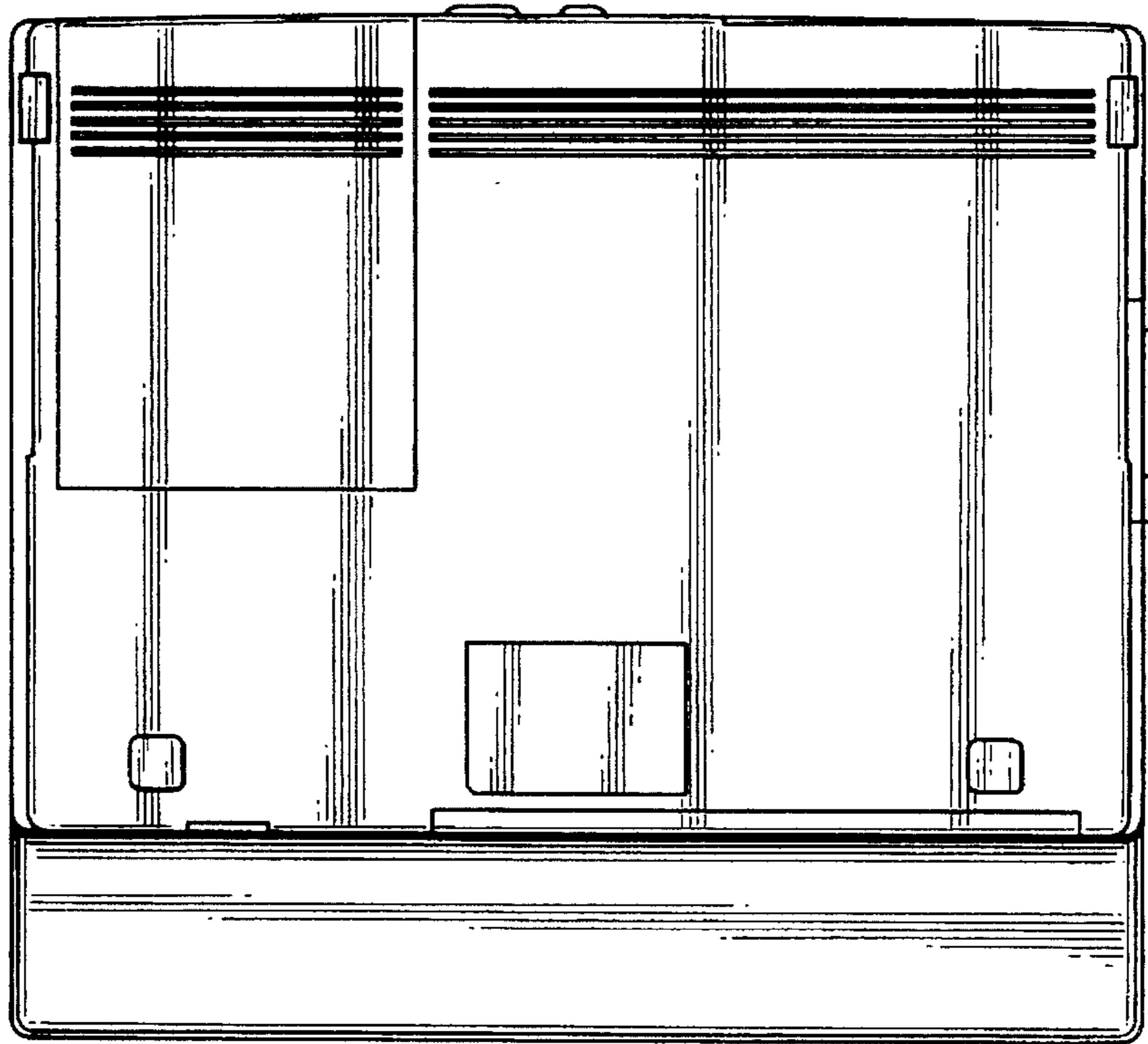


FIG.6

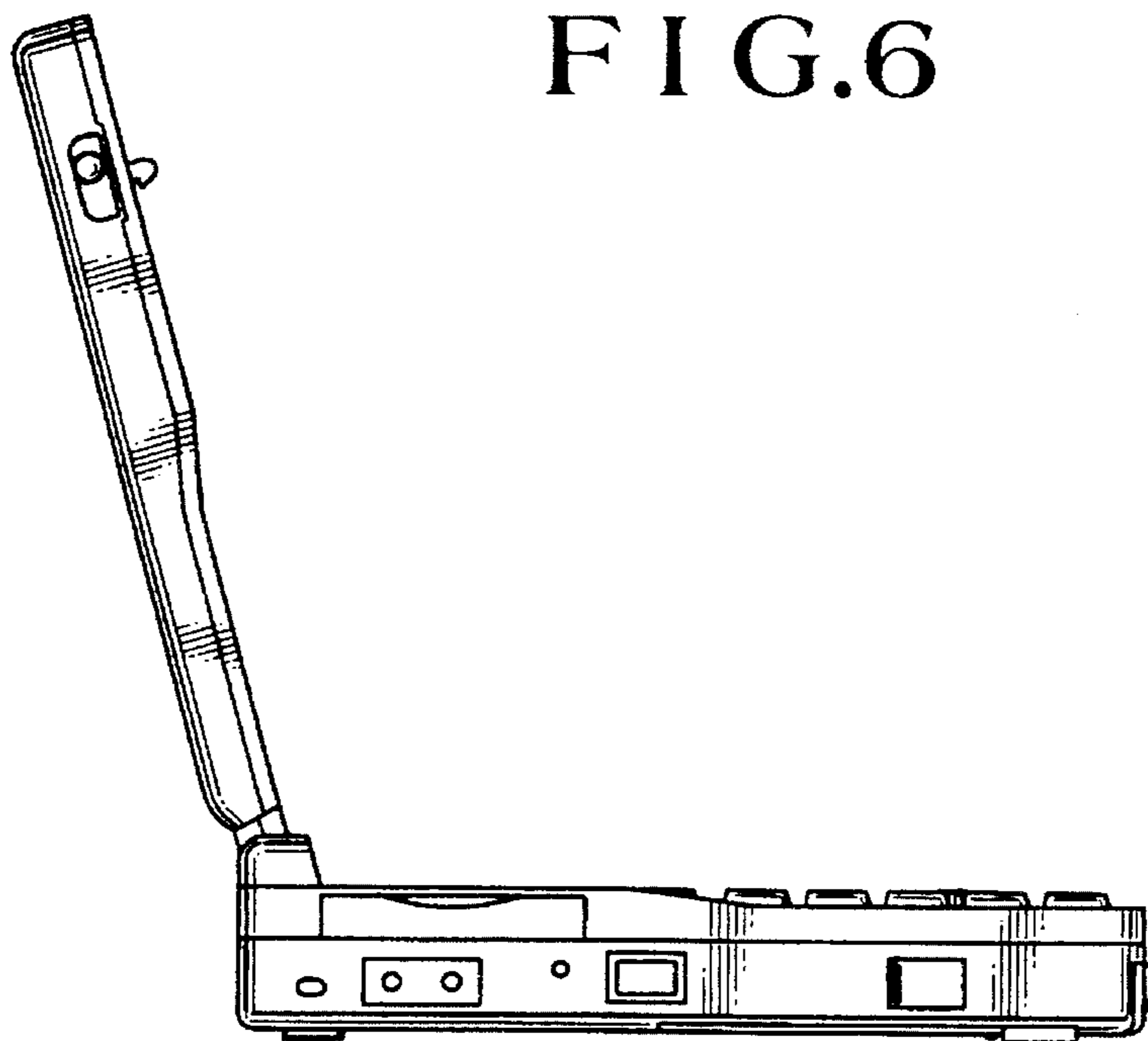


FIG. 7

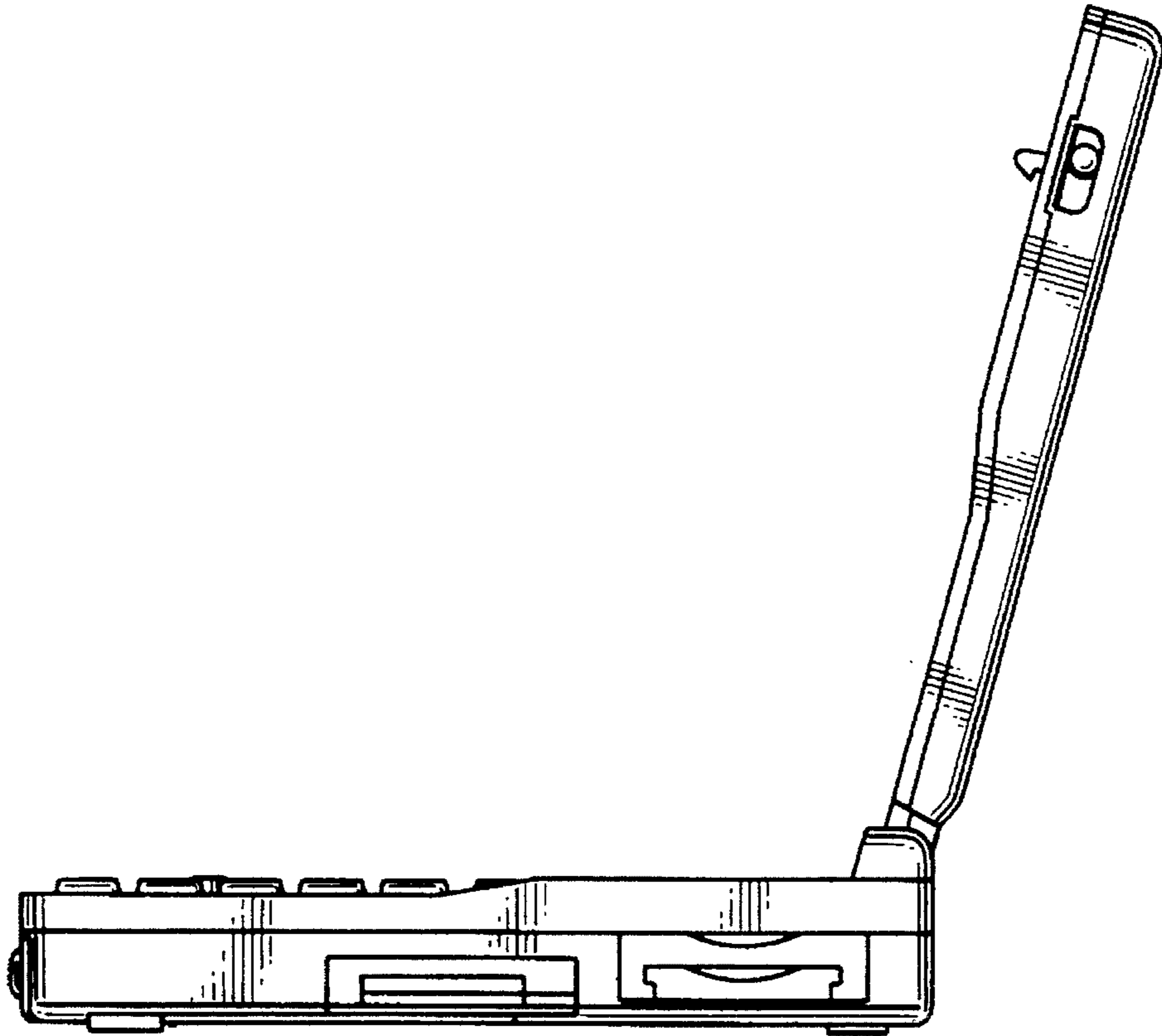


FIG. 8

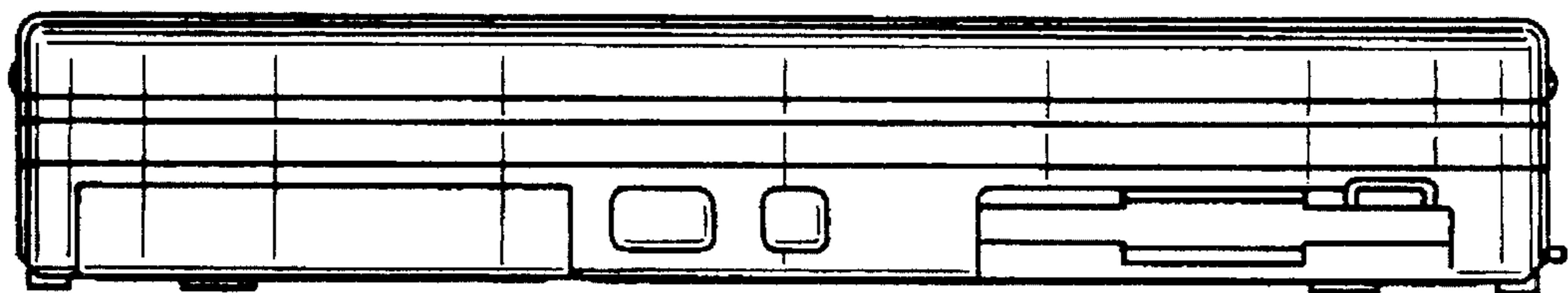


FIG. 9

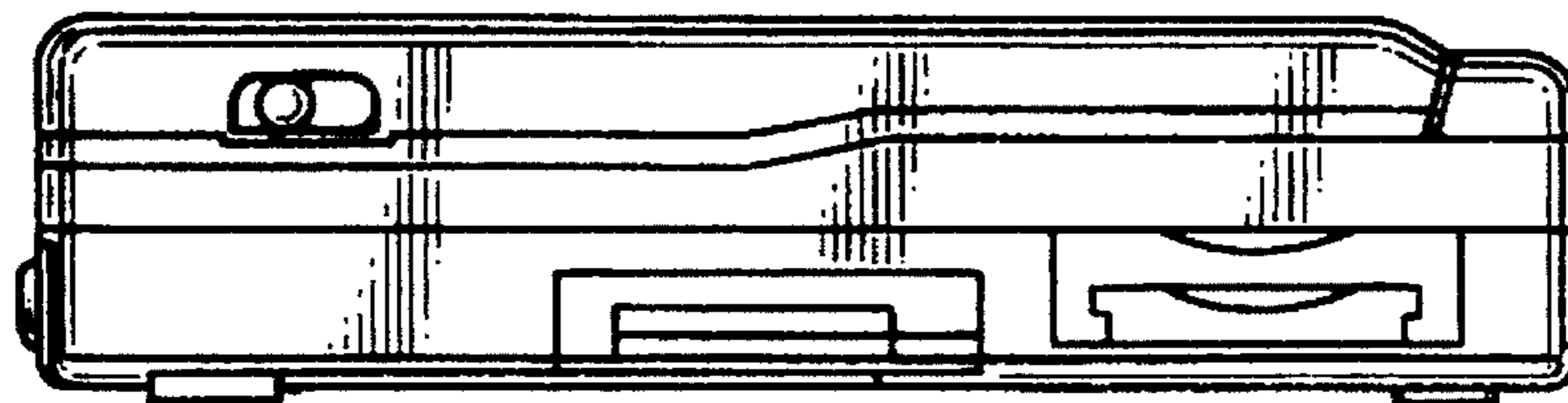


FIG. 10

