



US00D368074S

United States Patent [19]

Lee et al.

[11] Patent Number: **Des. 368,074**

[45] Date of Patent: ****Mar. 19, 1996**

[54] **PUSHBUTTON CONTROLLER**

[75] Inventors: **Stuart H. Lee**, Brooklyn; **Tucker Viemeister**, New York, both of N.Y.

[73] Assignee: **Kaz, Incorporated**, New York, N.Y.

[**] Term: **14 Years**

[21] Appl. No.: **40,147**

[22] Filed: **Jun. 12, 1995**

[52] U.S. Cl. **D13/168**

[58] Field of Search D13/168; D10/106;
D14/218; 200/51 LM

[56] **References Cited**

U.S. PATENT DOCUMENTS

D. 344,524	2/1994	Taniguchi	D14/218
D. 349,688	8/1994	Holbrook	D13/162
D. 351,591	10/1994	Chen	D13/168
D. 354,489	1/1995	Patton et al.	D14/218

D. 355,895	2/1995	Soren et al.	D14/218 X
D. 361,058	8/1995	Domel et al.	D13/168

Primary Examiner—Joel Sincavage
Attorney, Agent, or Firm—Darby & Darby

[57] **CLAIM**

The ornamental design for a pushbutton controller, as shown and described.

DESCRIPTION

FIG. 1 is a top perspective view of a pushbutton controller showing my new design;
FIG. 2 is a top plan view thereof;
FIG. 3 is a left side elevational view thereof, the right side being a mirror image of the left side shown;
FIG. 4 is a front elevational view thereof;
FIG. 5 is a rear elevational view thereof; and,
FIG. 6 is a bottom plan view thereof.

1 Claim, 2 Drawing Sheets

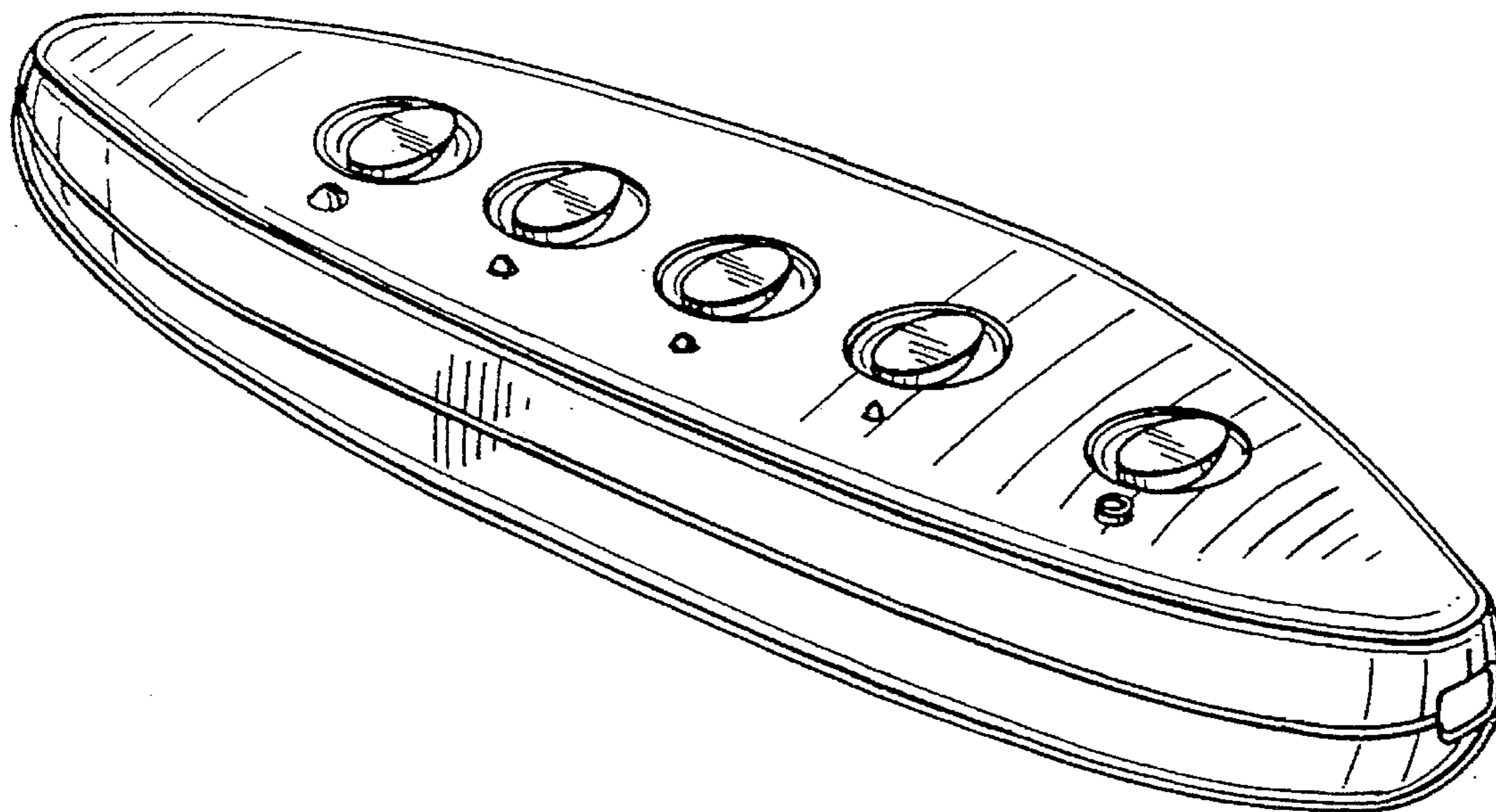


FIG. 1

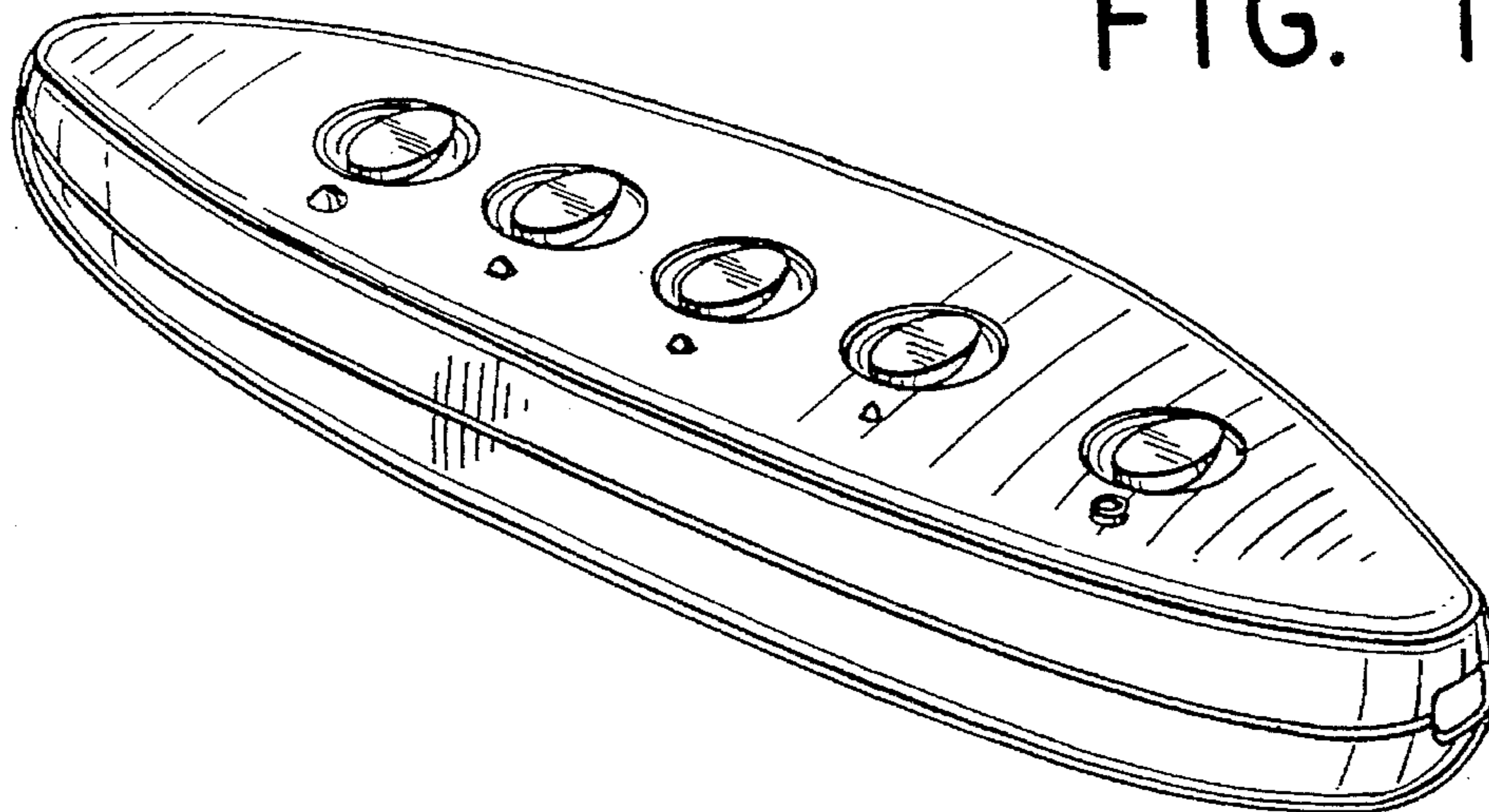


FIG. 2

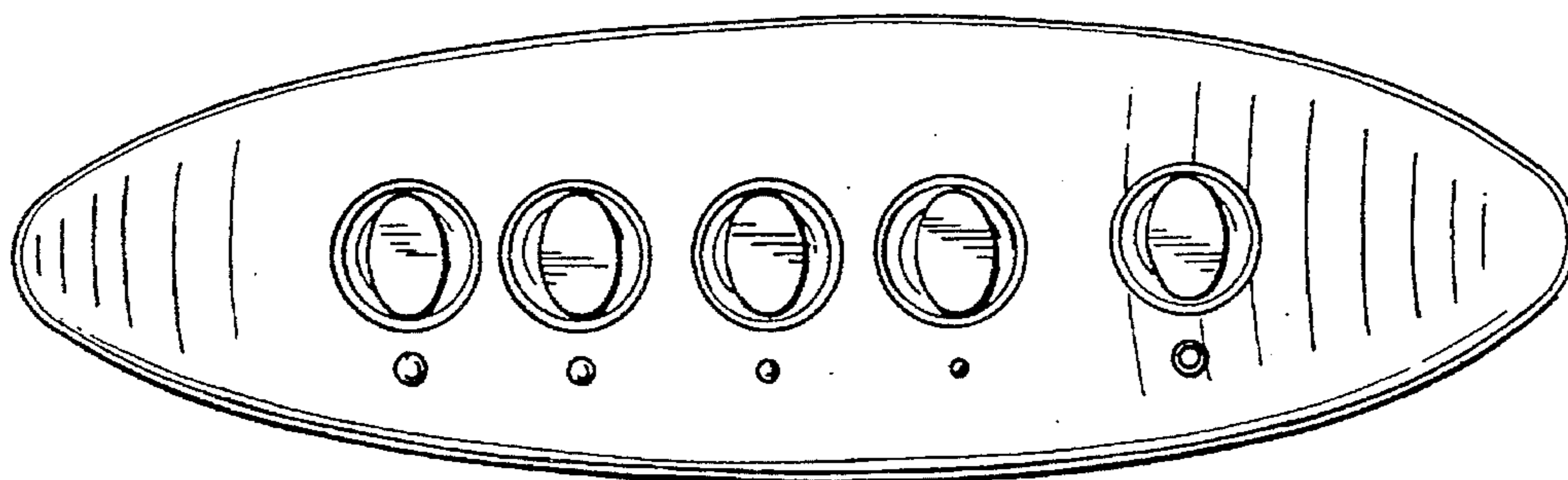
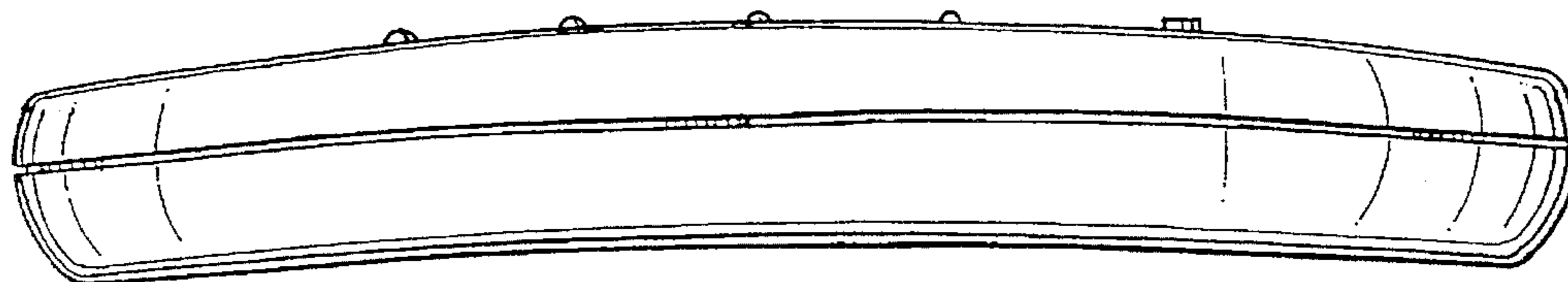


FIG. 3



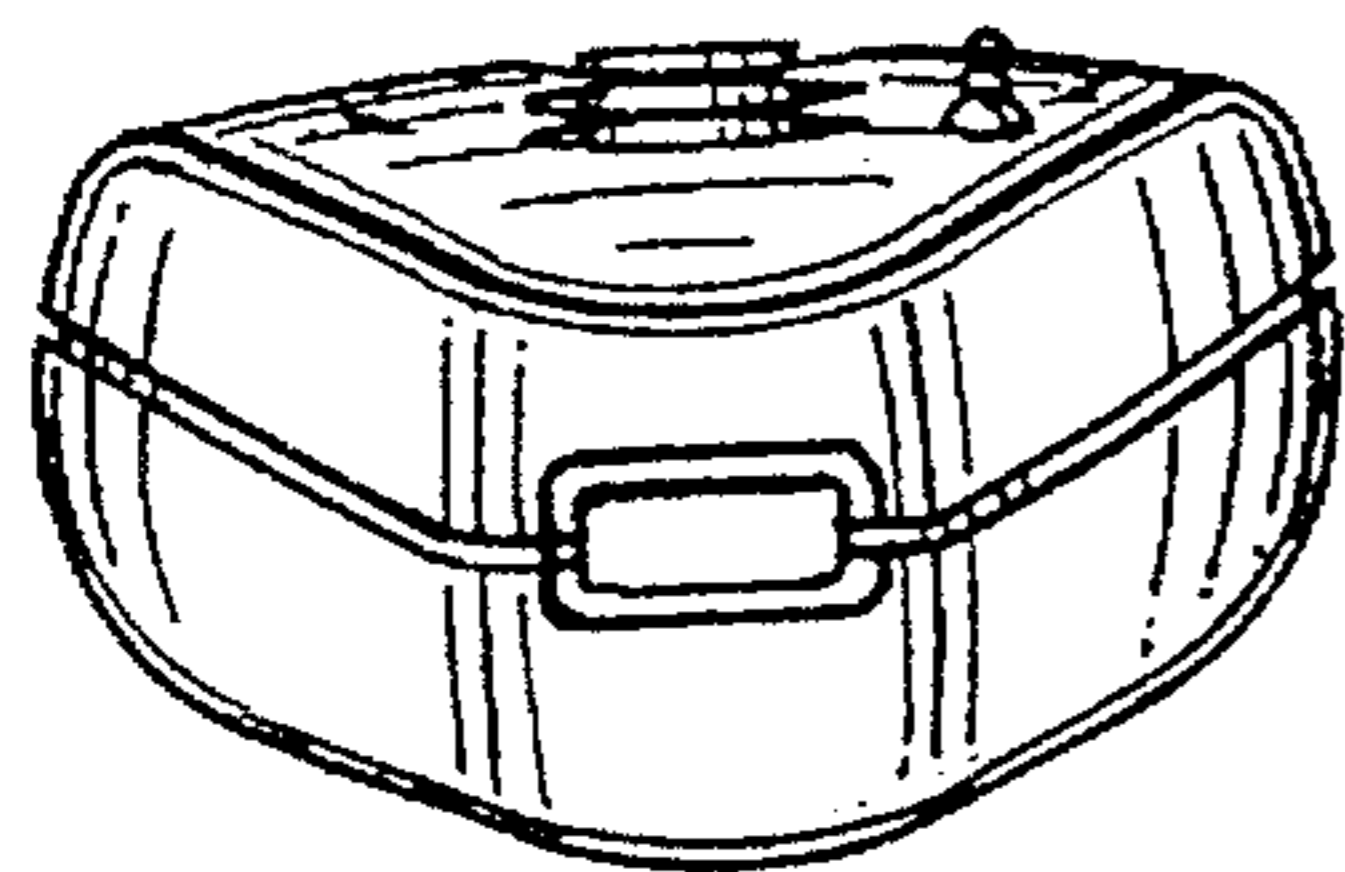


FIG. 4

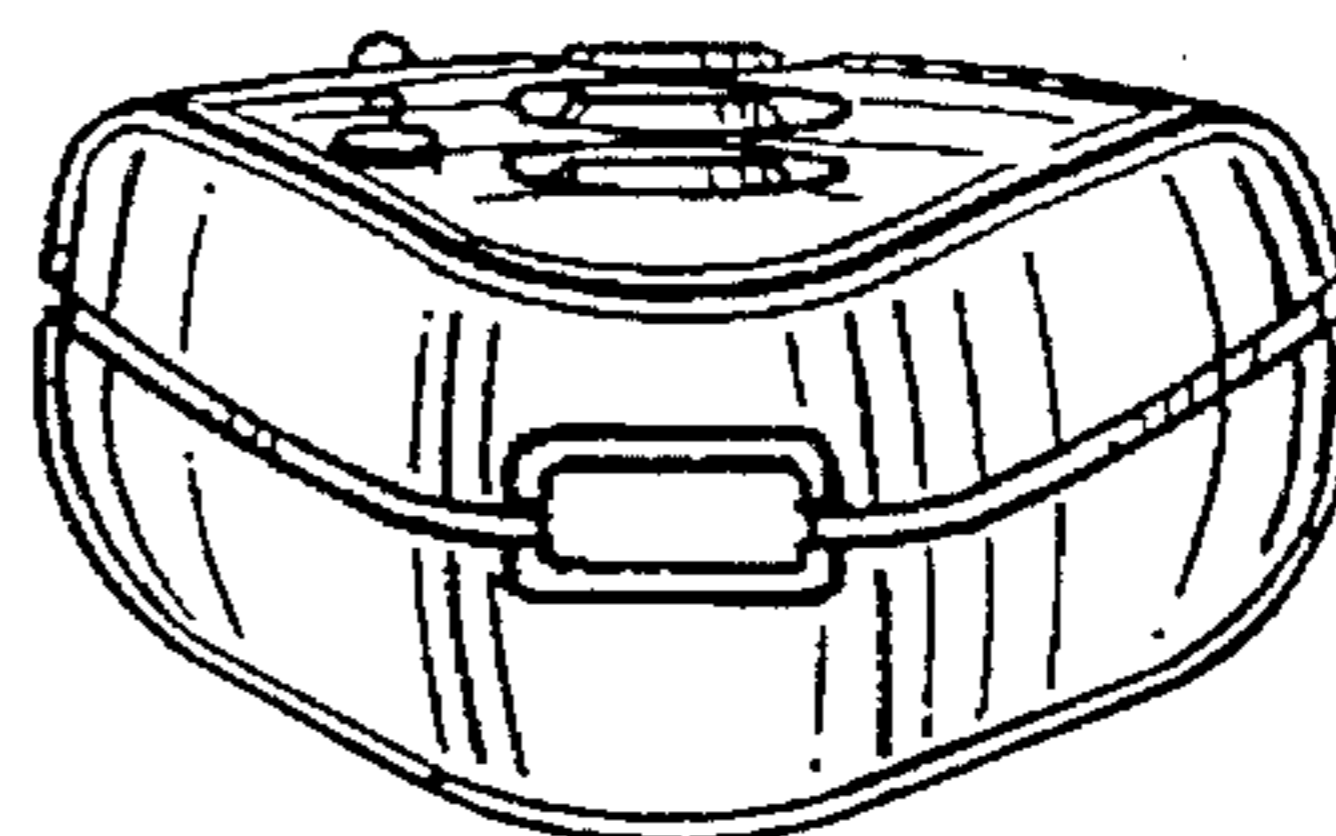


FIG. 5

FIG. 6

