



US00D368072S

United States Patent [19]

[11] **Patent Number: Des. 368,072**

Hanazaki et al.

[45] **Date of Patent: **Mar. 19, 1996**

[54] **FUSE**

FOREIGN PATENT DOCUMENTS

[75] Inventors: **Hisashi Hanazaki; Hiroki Kondo; Toshiharu Kudo; Mitsuhiko Totsuka,**
all of Shizuoka, Japan

787741 2/1990 Japan .
870163 3/1993 Japan .
901506 4/1994 Japan .

[73] Assignee: **Yazaki Corporation,** Japan

Primary Examiner—Joel Sincavage
Attorney, Agent, or Firm—Saidman DesignLaw Group

[**] Term: **14 Years**

[57] **CLAIM**

[21] Appl. No.: **24,730**

The ornamental design for a fuse, as shown and described.

[22] Filed: **Jun. 20, 1994**

DESCRIPTION

[52] **U.S. Cl.** **D13/161**

FIG. 1 is a perspective view of a fuse showing our new design;

[58] **Field of Search** D13/161; 439/621,
439/622; 337/186, 201, 231, 279, 295,
414; 29/623

FIG. 2 is a front elevational view thereof, the rear view being identical thereto;

FIG. 3 is a right side view thereof, the left side view being identical thereto;

[56] **References Cited**

U.S. PATENT DOCUMENTS

D. 318,855 8/1991 Tsuji et al. D13/161
5,345,211 9/1994 Muramatsu et al. 439/621 X

FIG. 4 is a top view thereof; and,

FIG. 5 is a bottom view thereof.

1 Claim, 1 Drawing Sheet

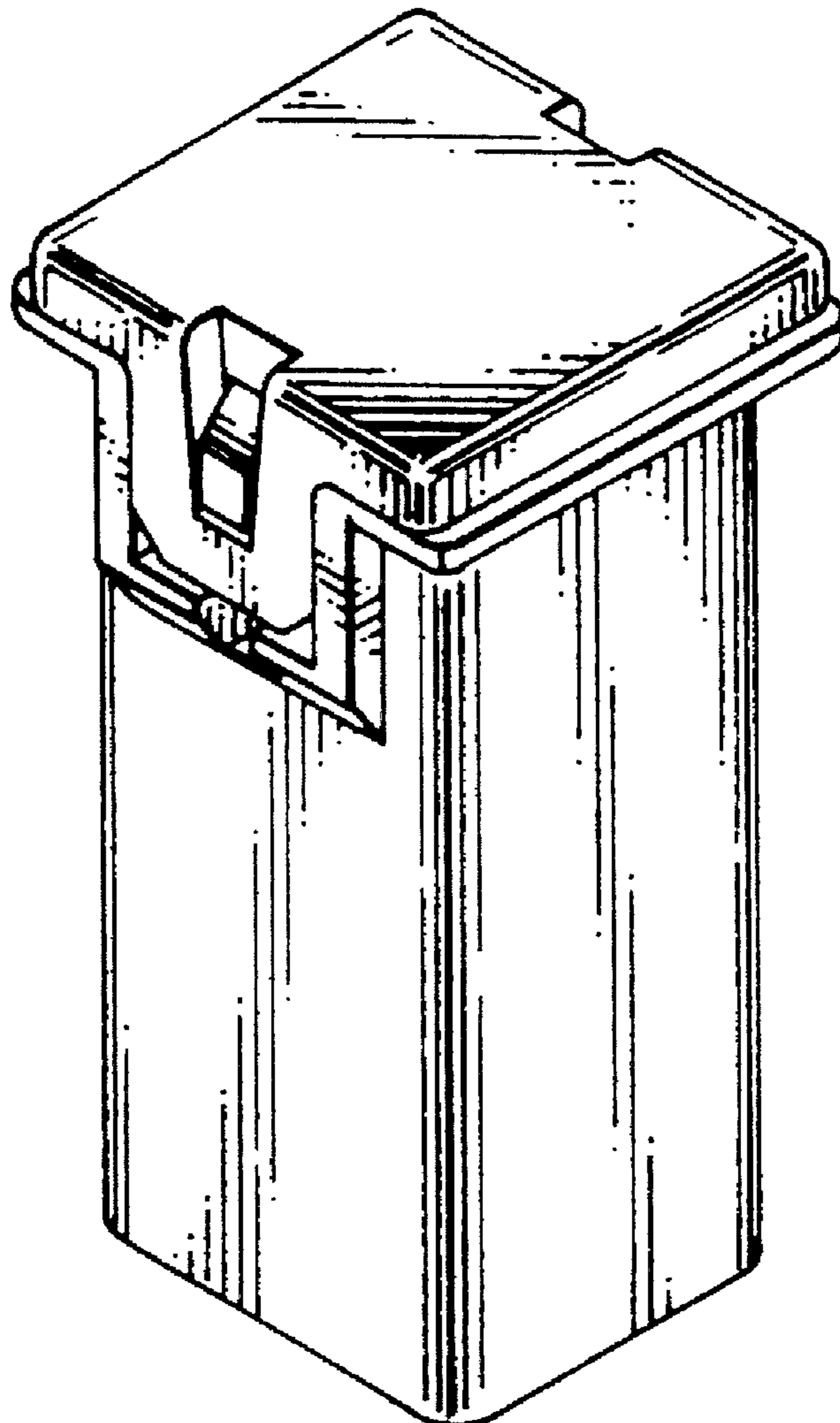


FIG. 1

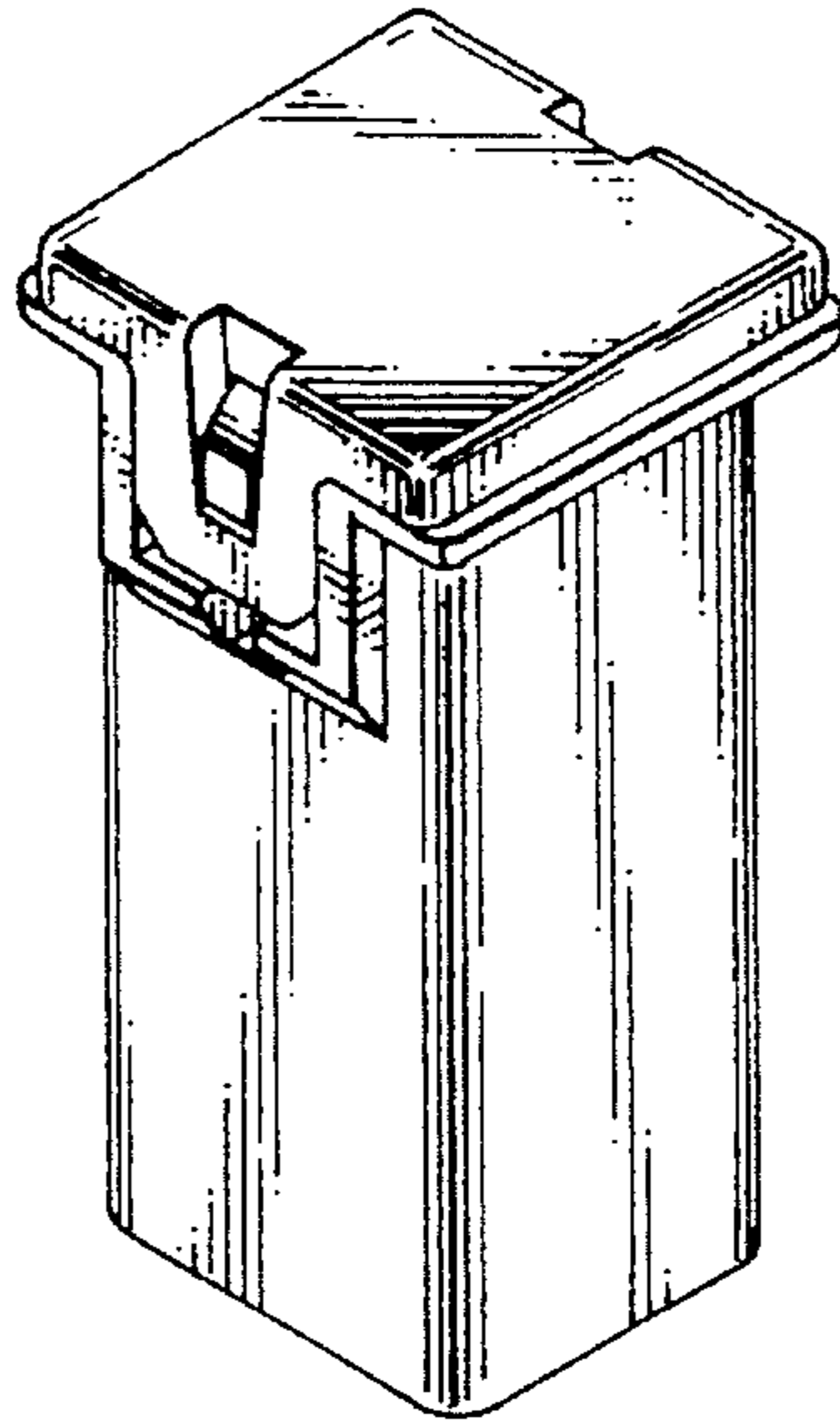


FIG. 2

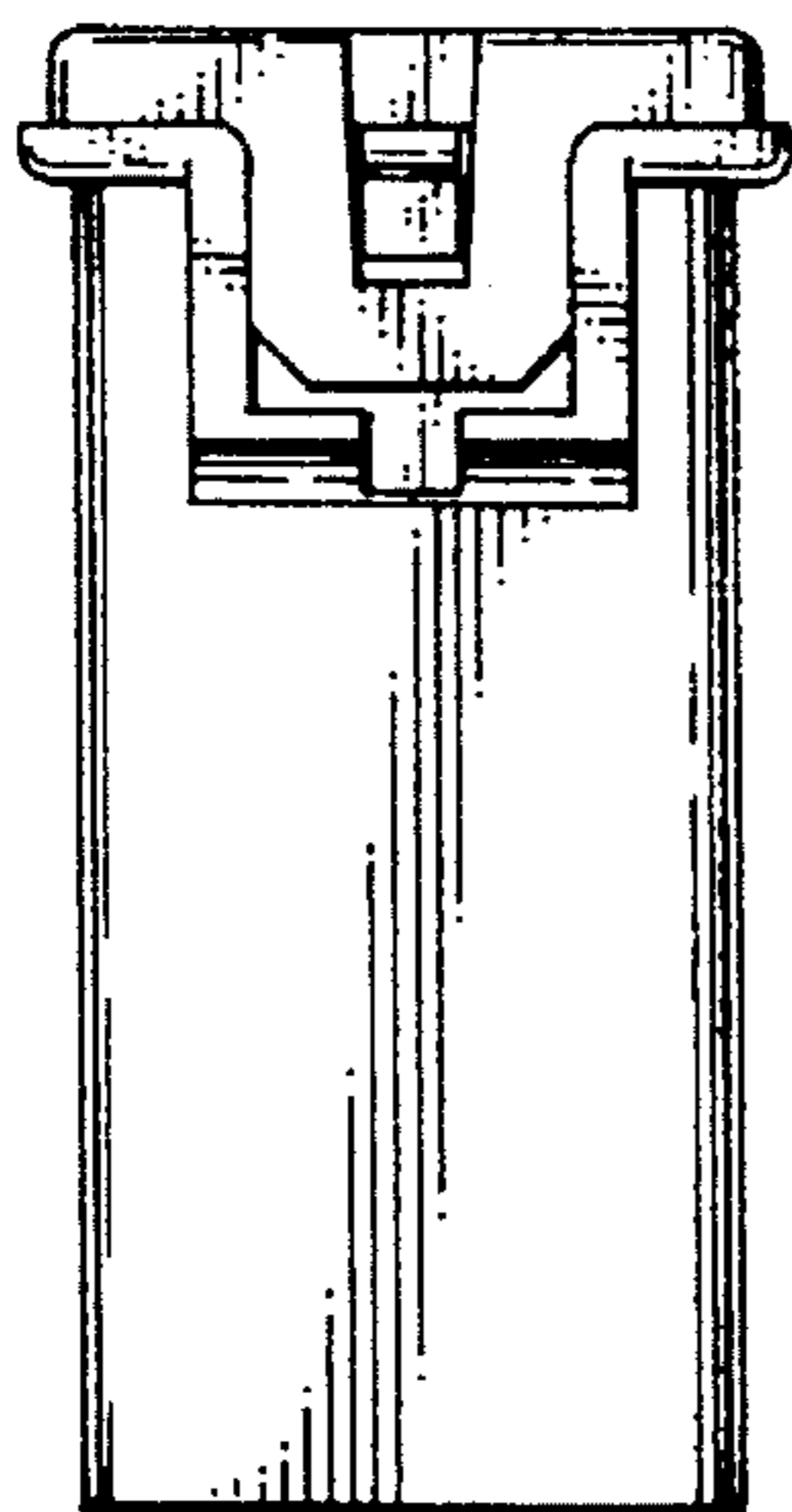


FIG. 3

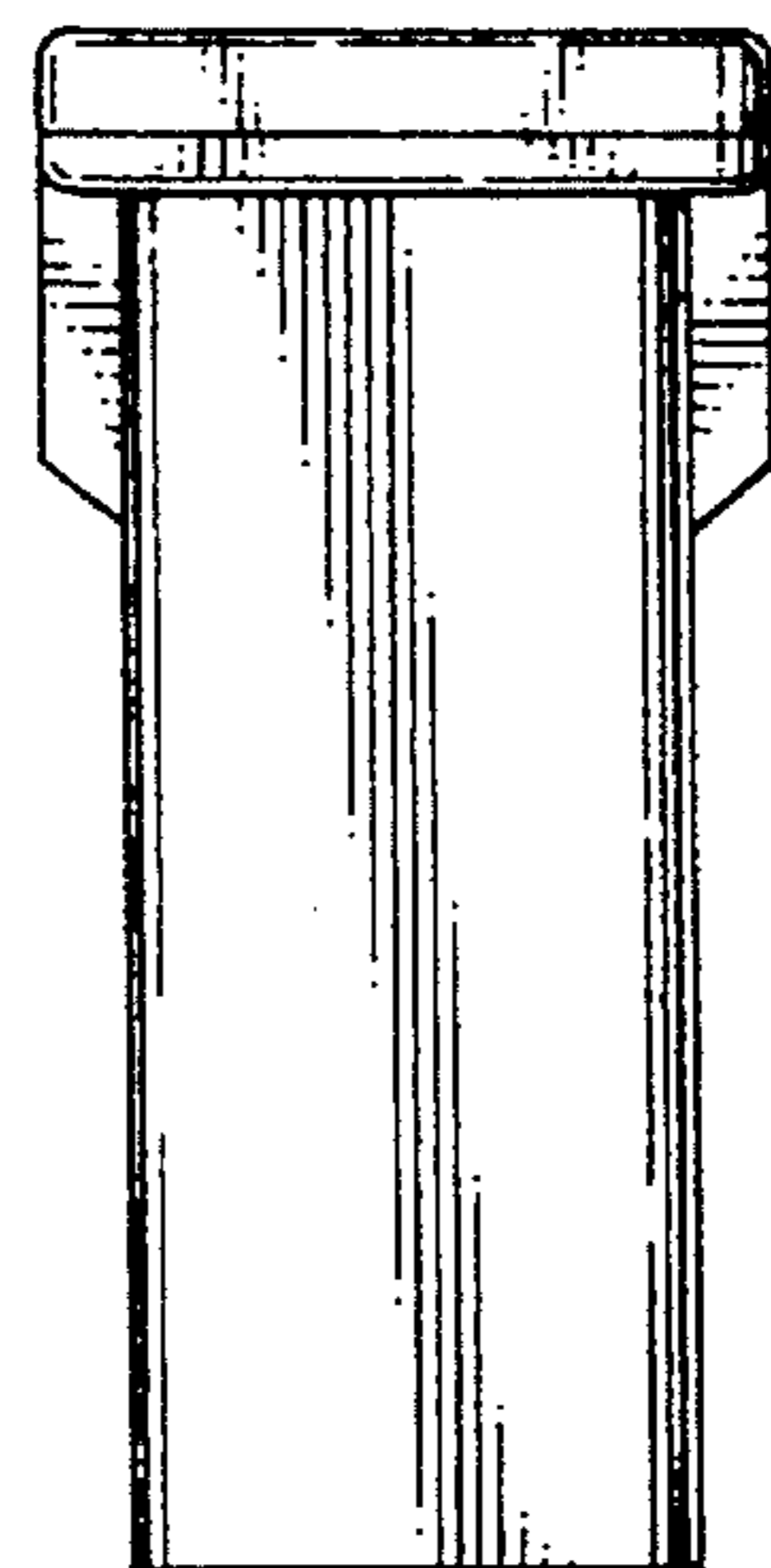


FIG. 4

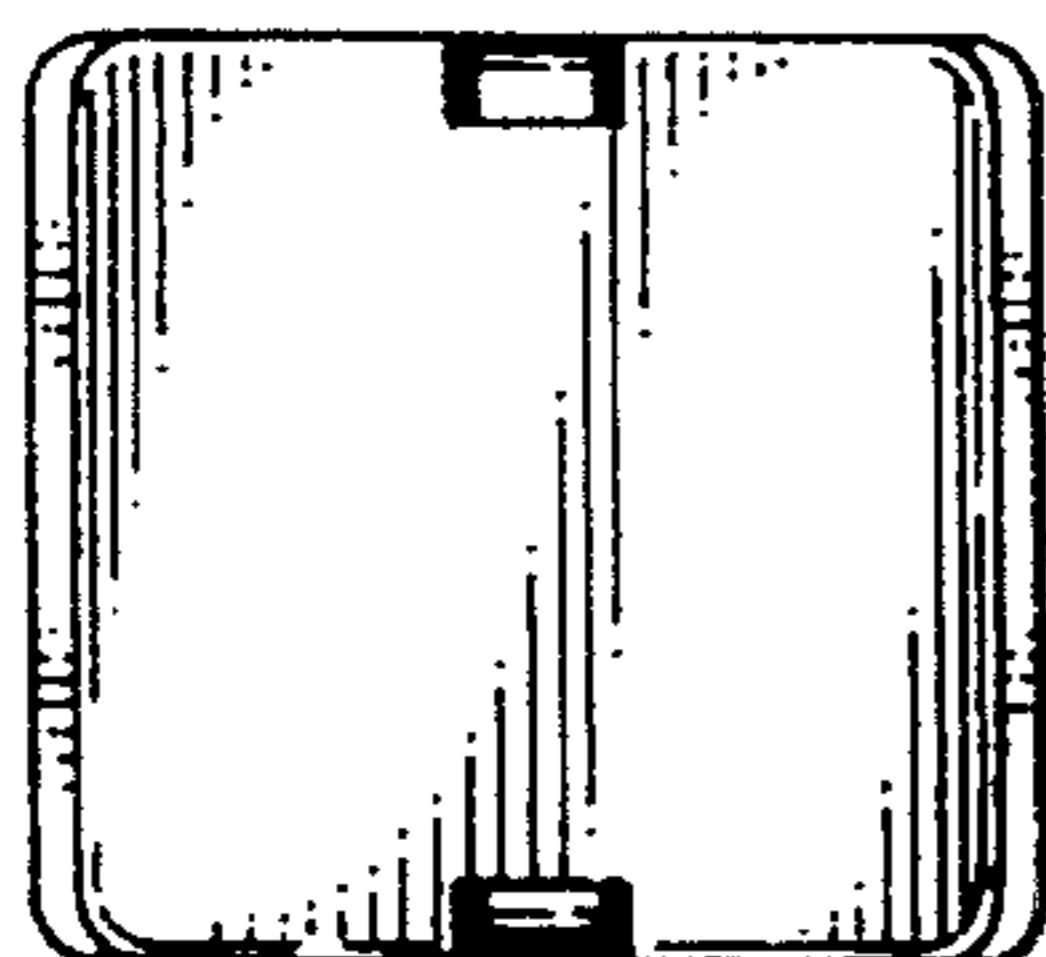


FIG. 5

