



US00D368071S

United States Patent [19]

Eaton

[11] Patent Number: **Des. 368,071**

[45] Date of Patent: ****Mar. 19, 1996**

[54] **PERPENDICULAR MOUNTING HYBRID
MODULAR ELECTRICAL POWER
CONNECTOR**

[75] Inventor: **Larry D. Eaton**, Fremont, Calif.

[73] Assignee: **TVM, Inc.**, Fremont, Calif.

[**] Term: **14 Years**

[21] Appl. No.: **28,822**

[22] Filed: **Sep. 22, 1994**

[52] U.S. Cl. **D13/147**

[58] Field of Search D13/133, 146,
D13/147; 439/59, 76, 78, 79, 80, 82, 248,
552, 555, 562, 567, 572, 686, 844

[56] **References Cited**

U.S. PATENT DOCUMENTS

D. 331,039	11/1992	Watanabe	D13/147
3,054,078	9/1962	Baschkin	339/18
3,456,231	7/1969	Paullus et al.	339/60
3,471,822	10/1969	Van Baelen	339/18
4,090,764	5/1978	Malsby et al.	339/103 M

4,550,959	11/1985	Grabbe et al.	439/59 X
4,749,357	6/1988	Foley	439/80
4,824,380	4/1989	Mathews	439/78
5,055,055	10/1991	Bakker	439/78
5,306,160	4/1994	Roberts	439/67 X

Primary Examiner—Joel Sincavage

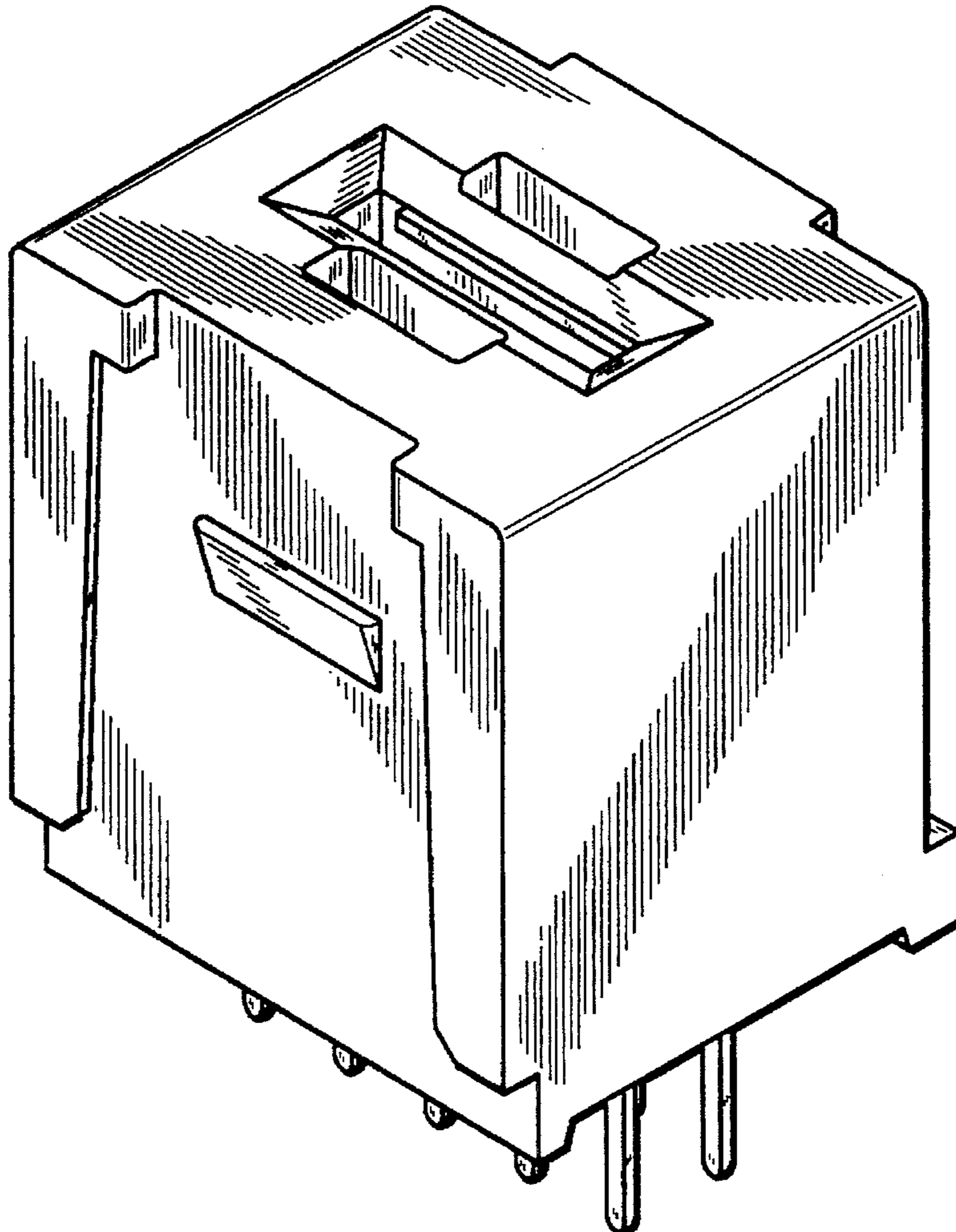
[57] **CLAIM**

The ornamental design for a perpendicular mounting hybrid modular electrical power connector, as shown and described.

DESCRIPTION

FIG. 1 is a perspective view as seen from the front and upper left of a perpendicular mounting hybrid modular electrical power connector showing my new design; FIG. 2 is a top plan view thereof; FIG. 3 is a left side elevational view thereof; FIG. 4 is a back elevational view thereof; FIG. 5 is a right side elevational view thereof; FIG. 6 is a bottom plan view thereof; and, FIG. 7 is a perspective view as seen from the rear and lower right thereof.

1 Claim, 3 Drawing Sheets



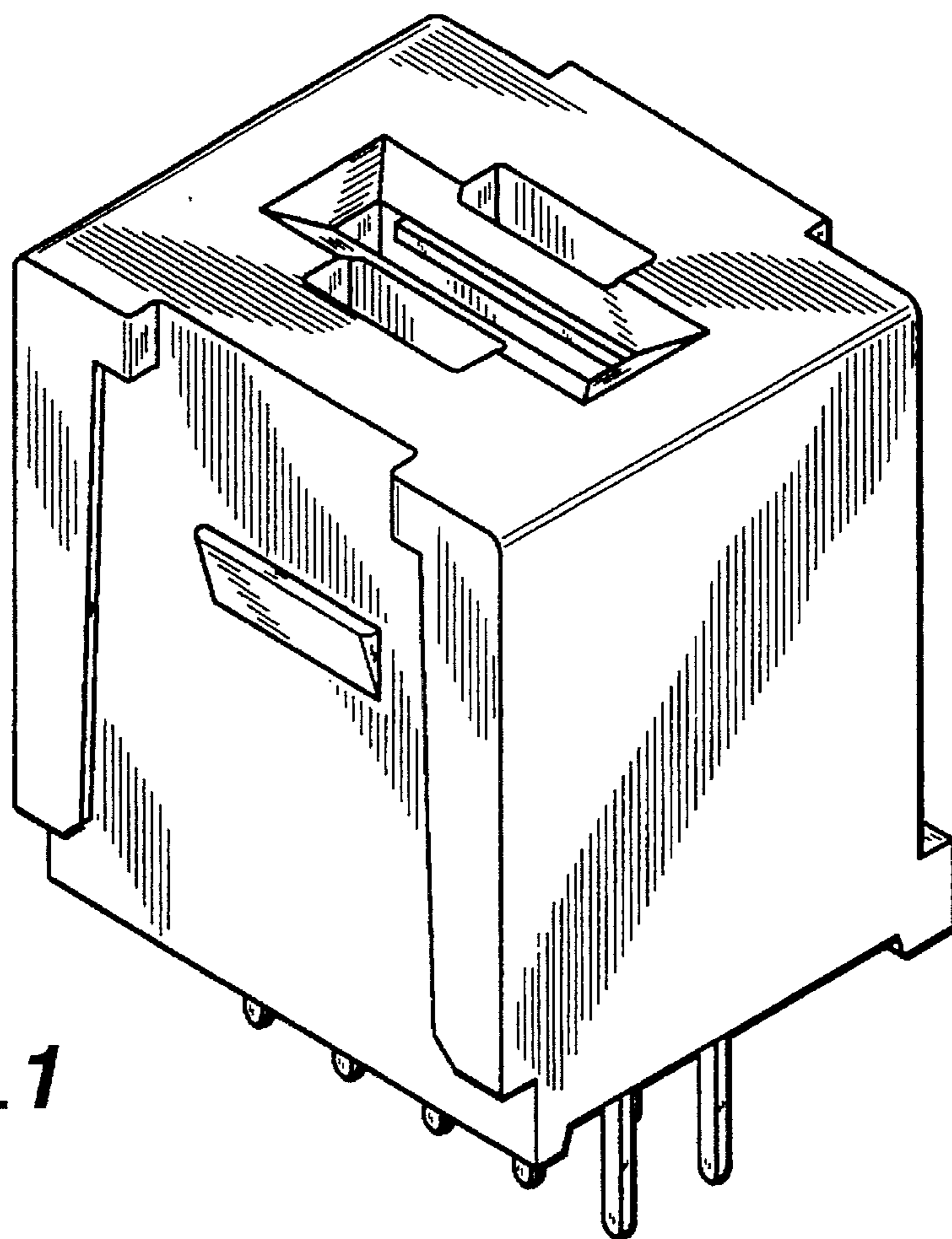


FIG. 1

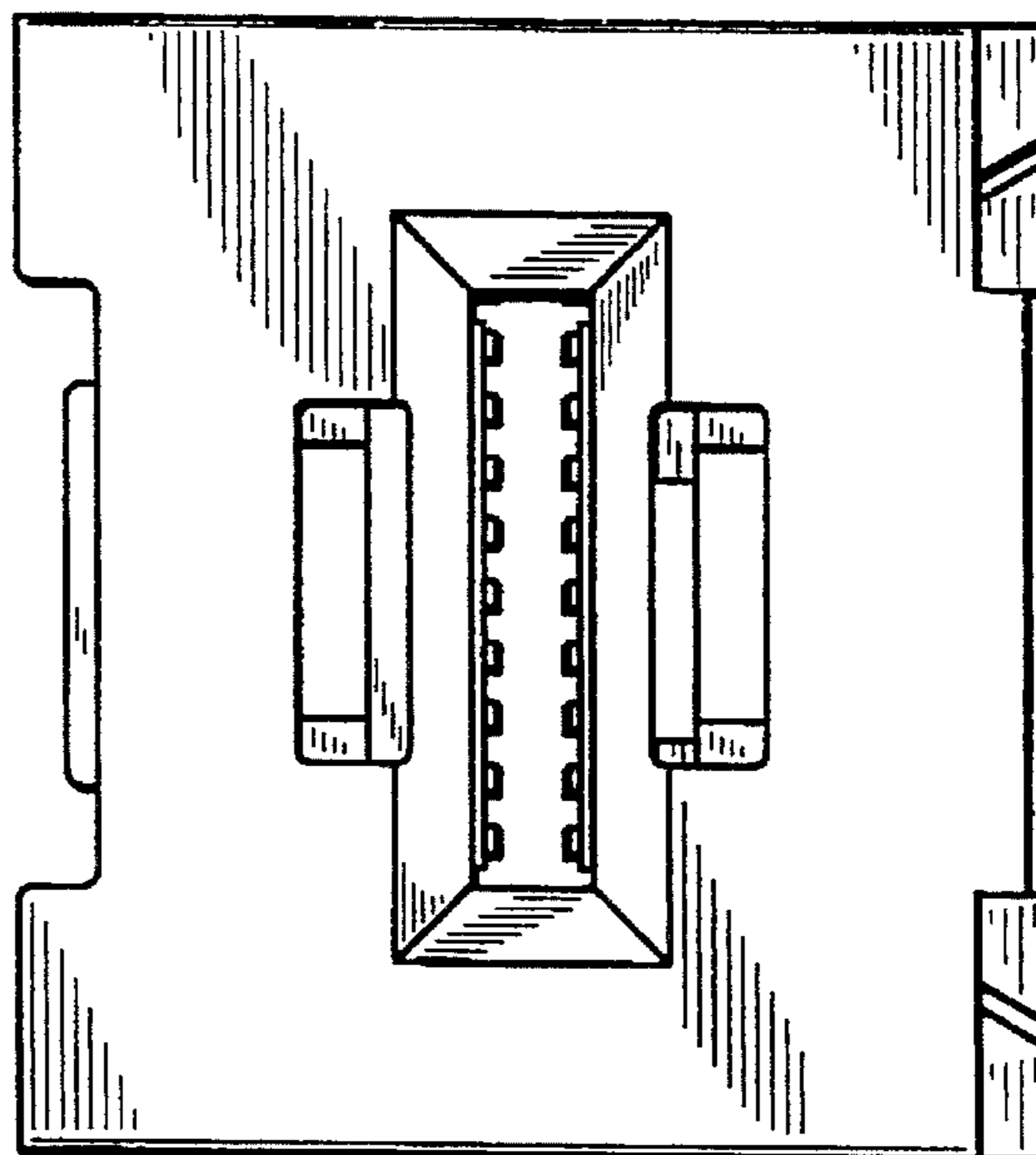


FIG. 2

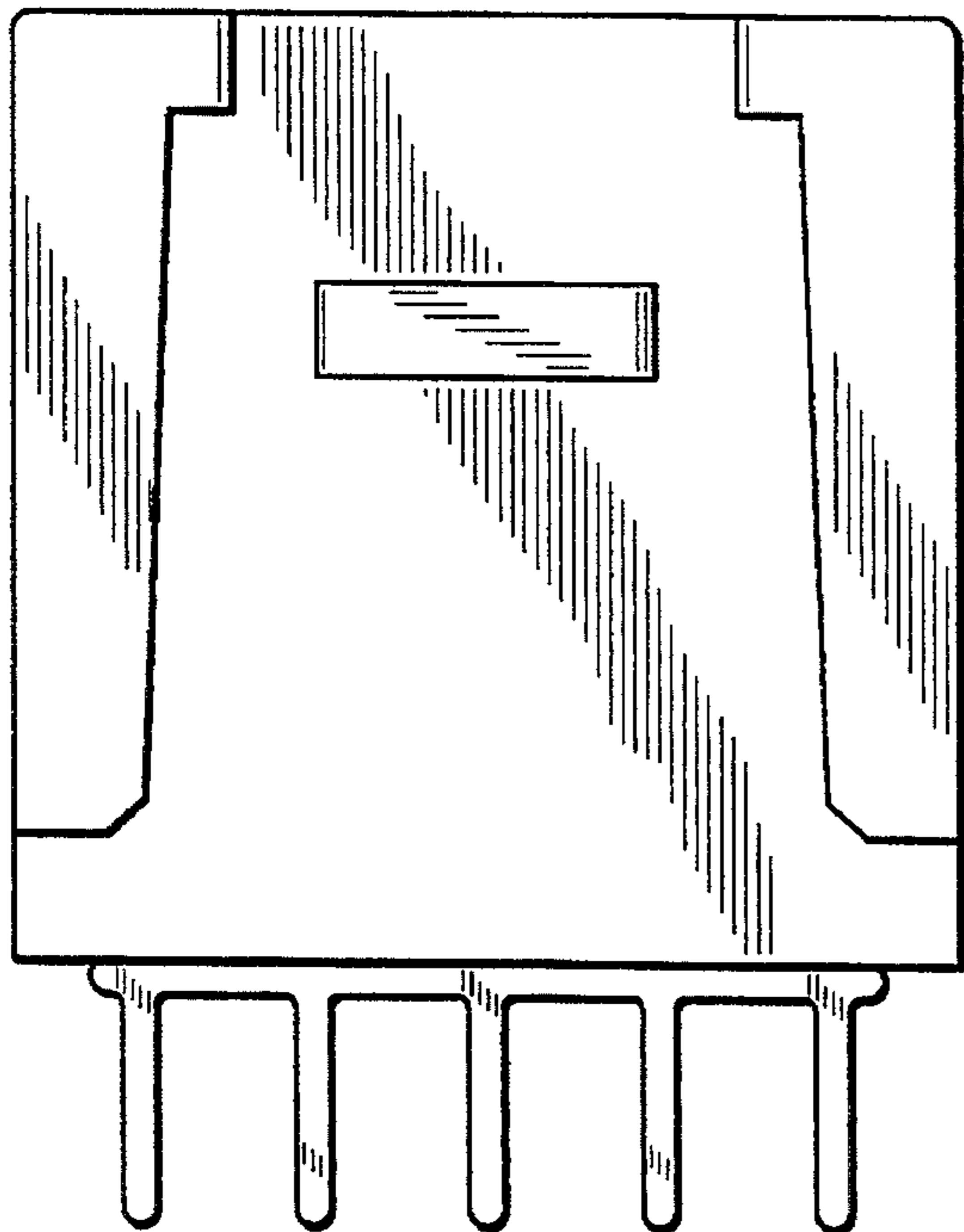


FIG. 3

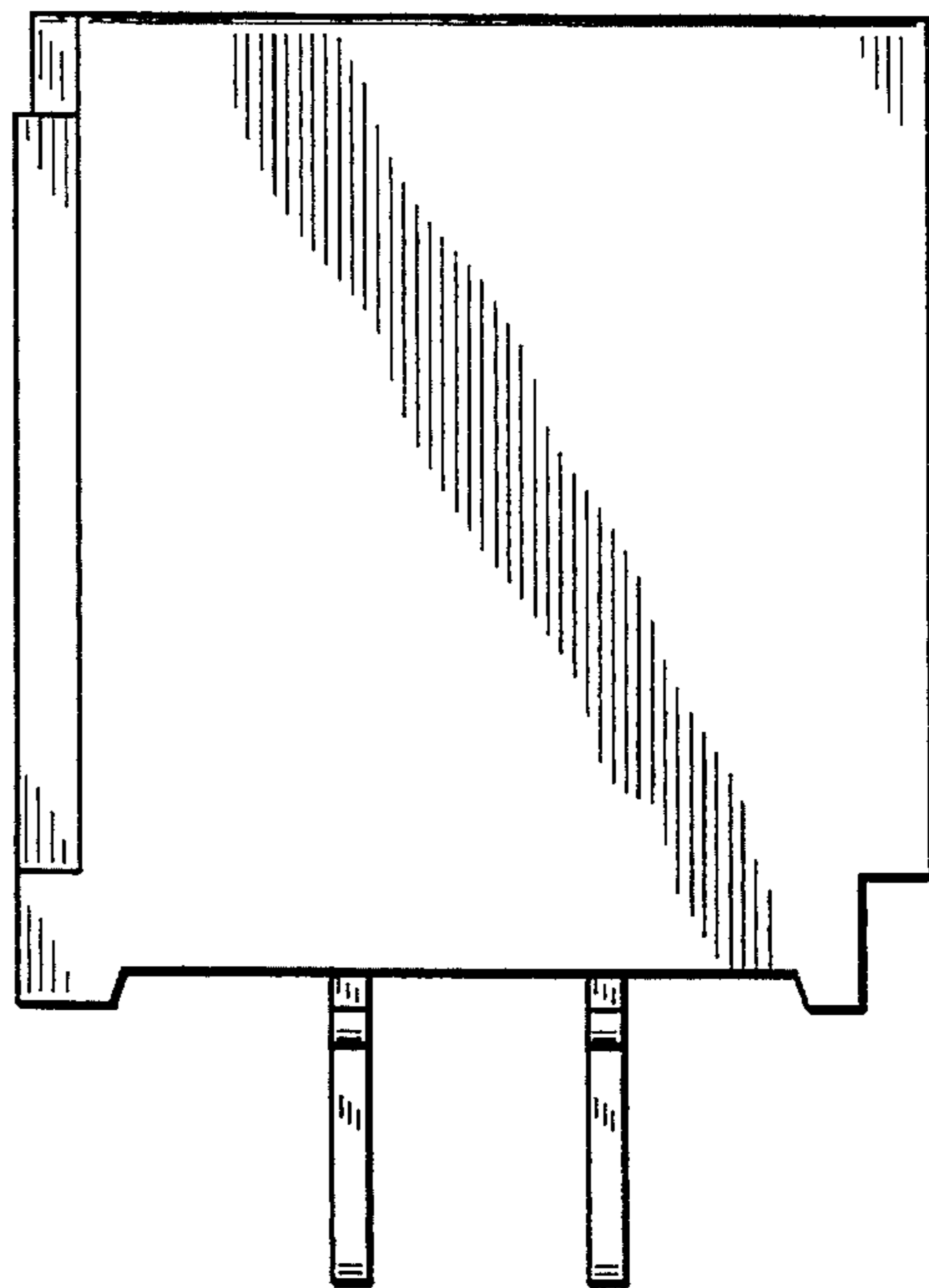


FIG. 4

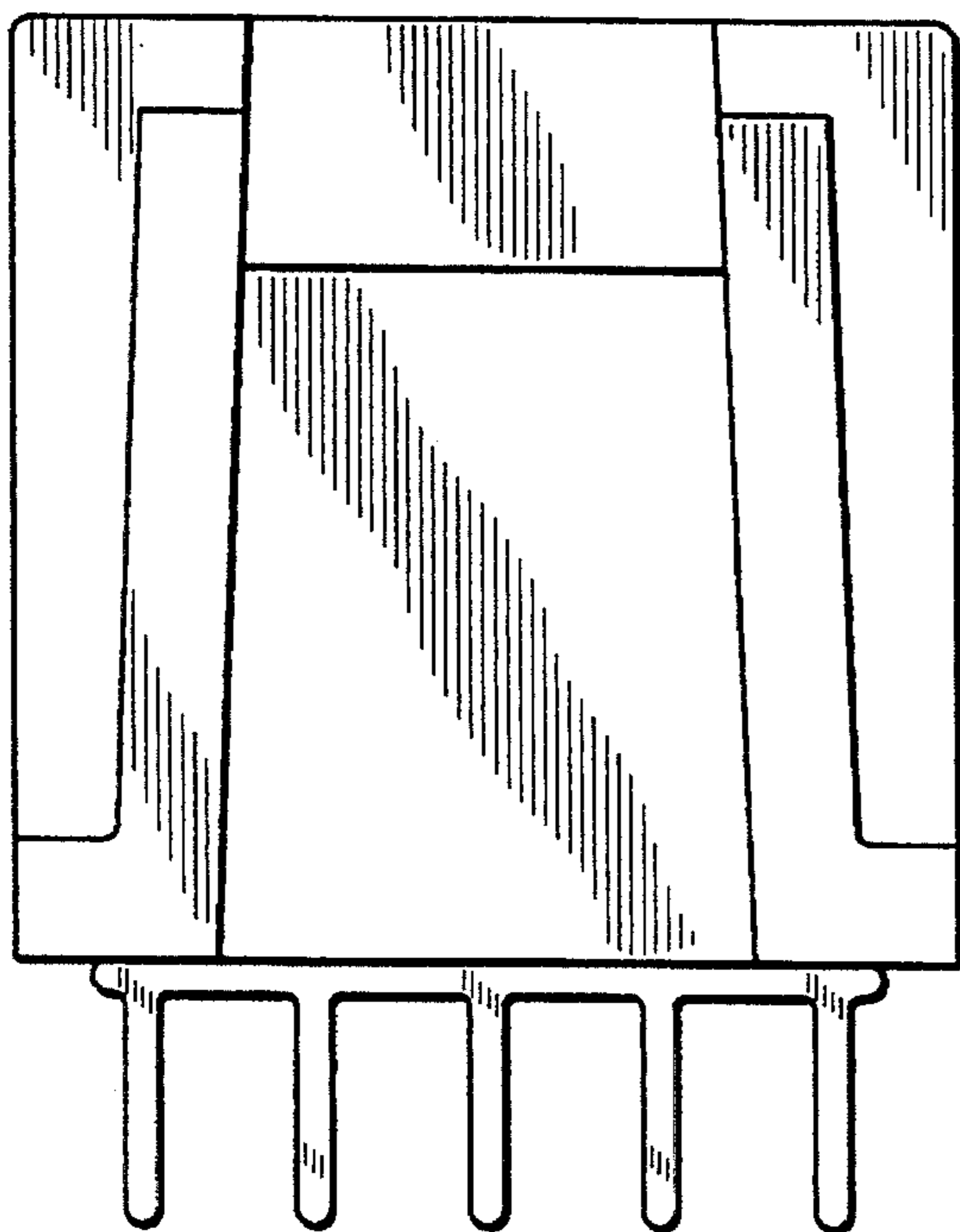


FIG. 5

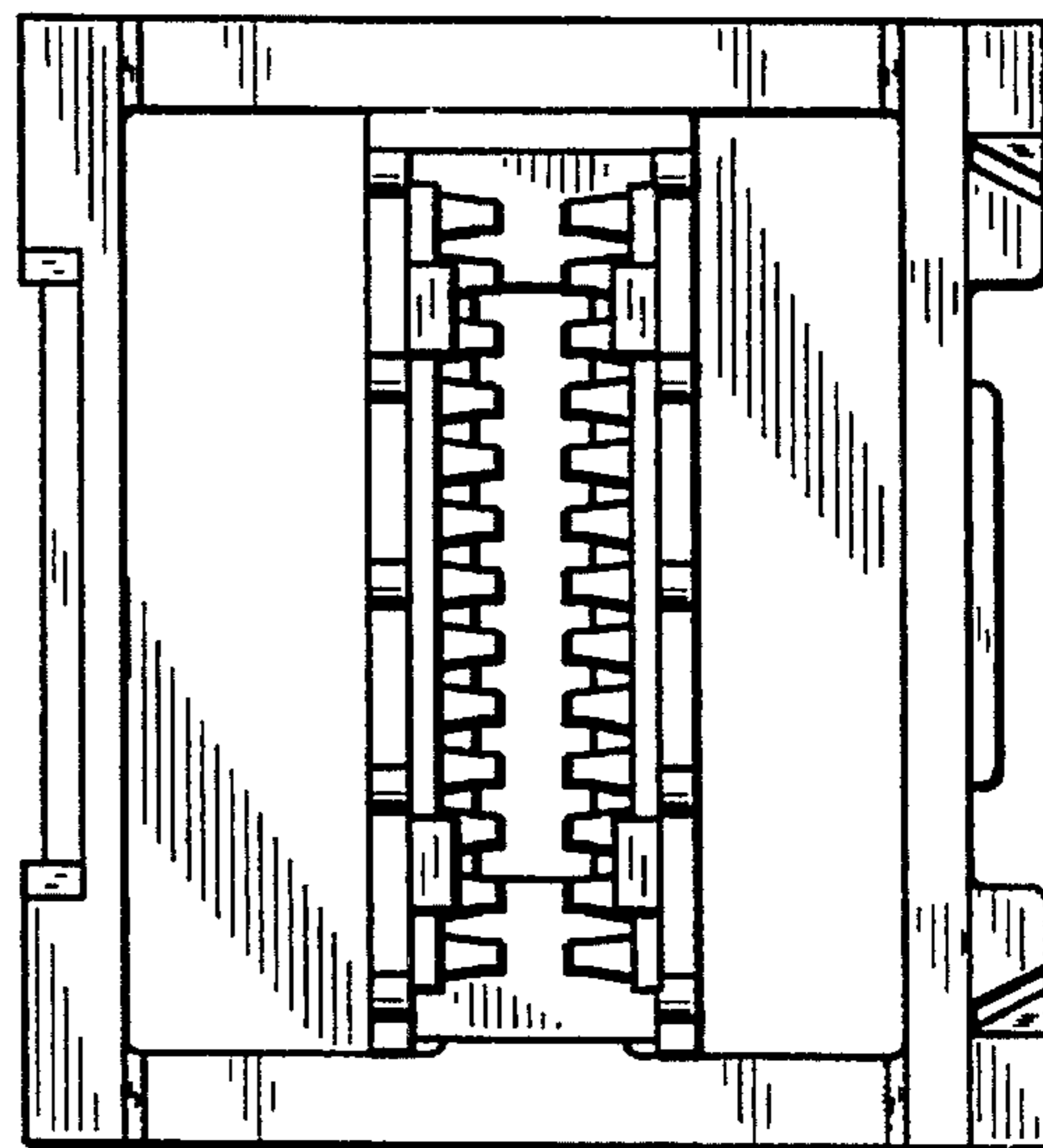


FIG. 6

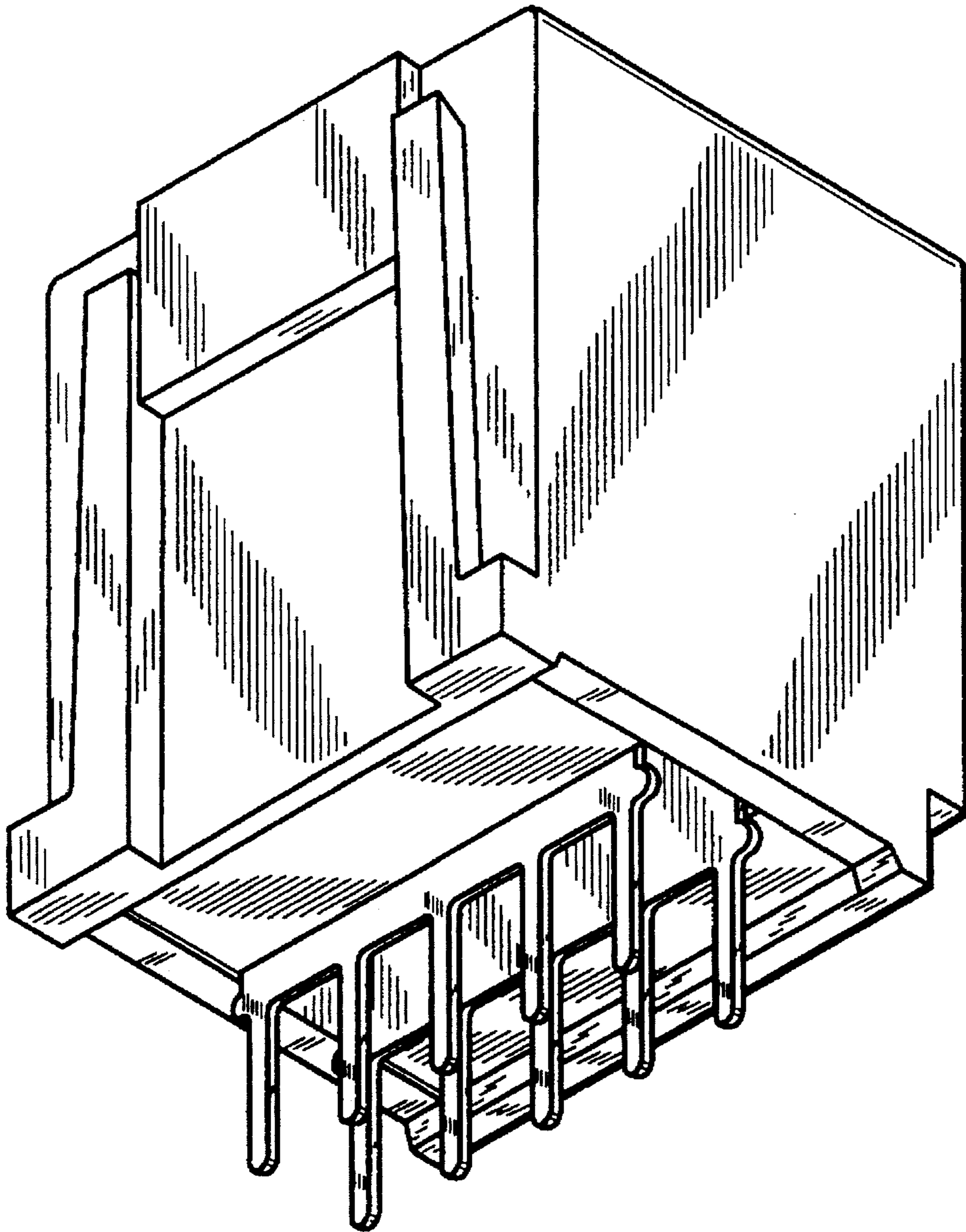


FIG. 7