



US00D368070S

United States Patent [19]
Krokaugger

[11] **Patent Number: Des. 368,070**
[45] **Date of Patent: **Mar. 19, 1996**

[54] **ELECTRICAL PLUG**
[75] Inventor: **William G. Krokaugger**, Chatsworth,
Calif.
[73] Assignee: **Mole-Richardson Co.**, Hollywood,
Calif.
[**] Term: **14 Years**
[21] Appl. No.: **31,770**
[22] Filed: **Dec. 5, 1994**
[52] U.S. Cl. **D13/133**
[58] Field of Search D13/133; 439/311,
439/314, 332, 449, 465, 470, 669, 670,
671, 695, 701, 725, 727, 826, 866, 867,
868

4,434,552 3/1984 Brush, Sr. et al. 439/891 X
4,707,046 11/1987 Strand 439/314
5,104,337 4/1992 Chow et al. 439/470
5,328,387 7/1994 Hoffman 439/469

FOREIGN PATENT DOCUMENTS

607506 7/1926 France 439/826

Primary Examiner—Joel Sincavage
Attorney, Agent, or Firm—Edward A. Sokolski

[57] **CLAIM**

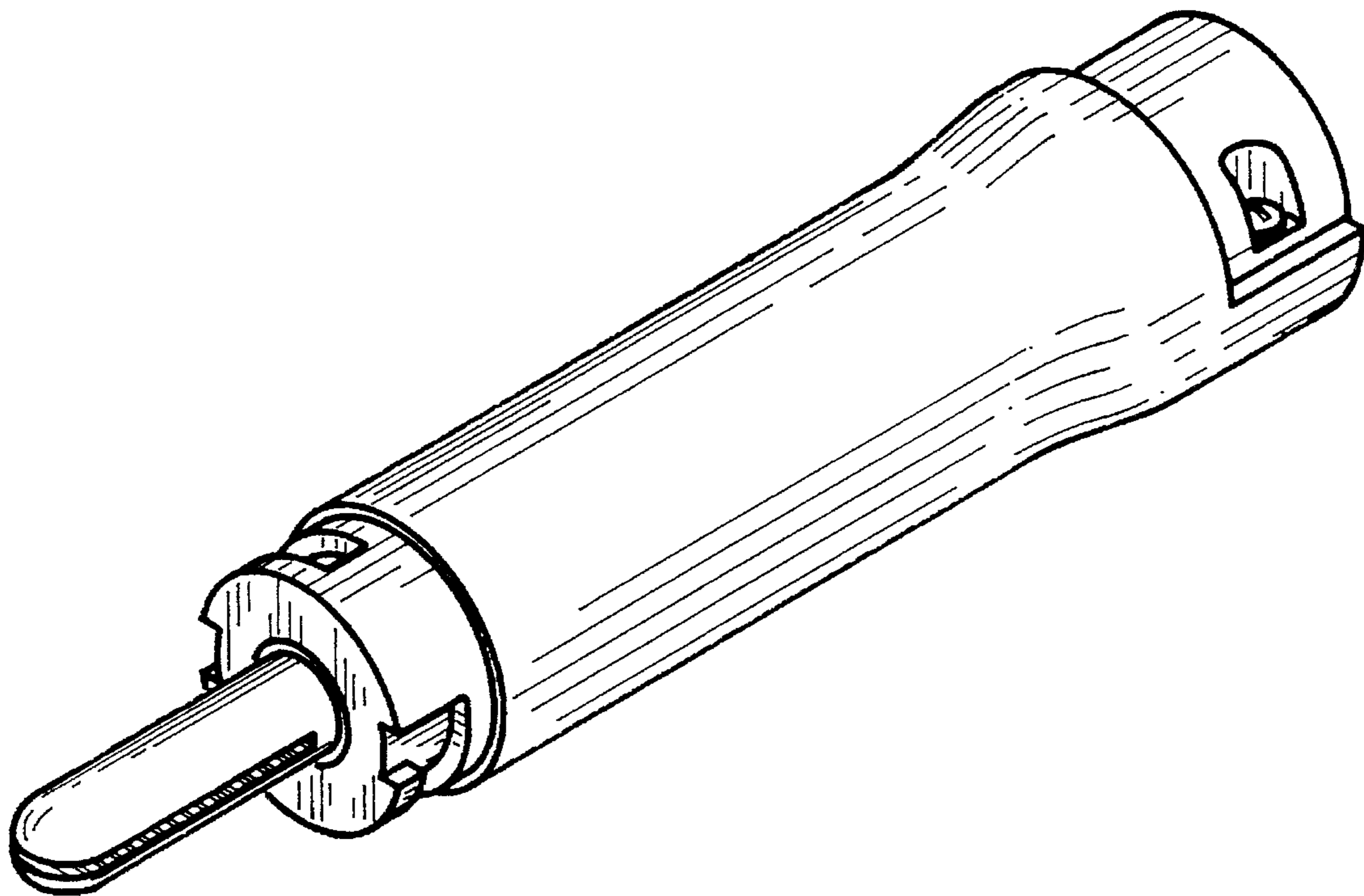
The ornamental design for an electrical plug, as shown and described.

DESCRIPTION

FIG. 1 is a left side elevational view showing my new design for an electrical plug;
FIG. 2 is a front elevational view thereof;
FIG. 3 is a rear elevational view thereof;
FIG. 4 is a front top perspective view thereof; and,
FIG. 5 is a rear top perspective view thereof.

[56] **References Cited**
U.S. PATENT DOCUMENTS
3,571,781 3/1971 Gartland, Jr. et al. 439/465
4,005,922 2/1977 Burkhart et al. 439/465

1 Claim, 1 Drawing Sheet



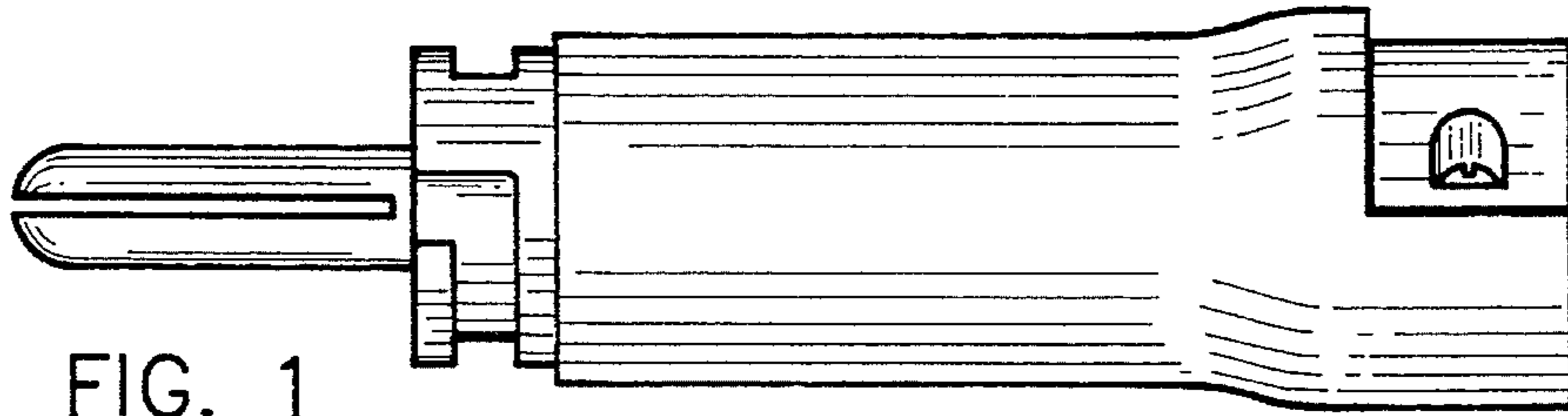


FIG. 1

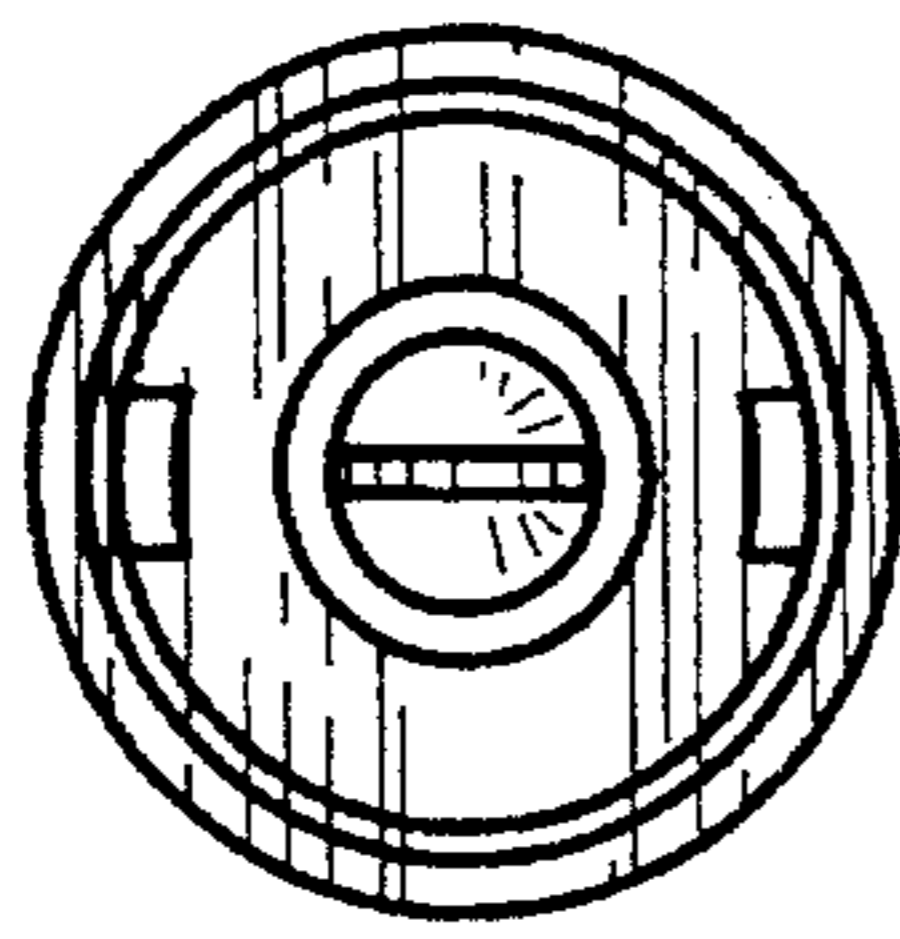


FIG. 2

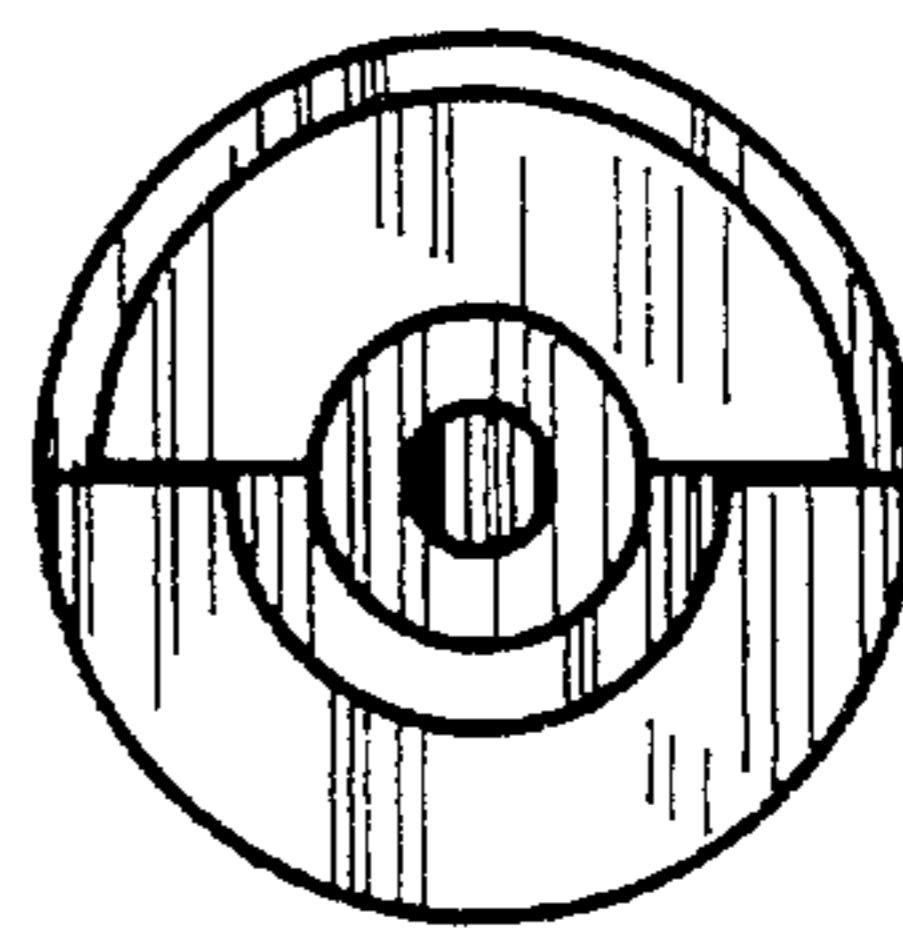


FIG. 3

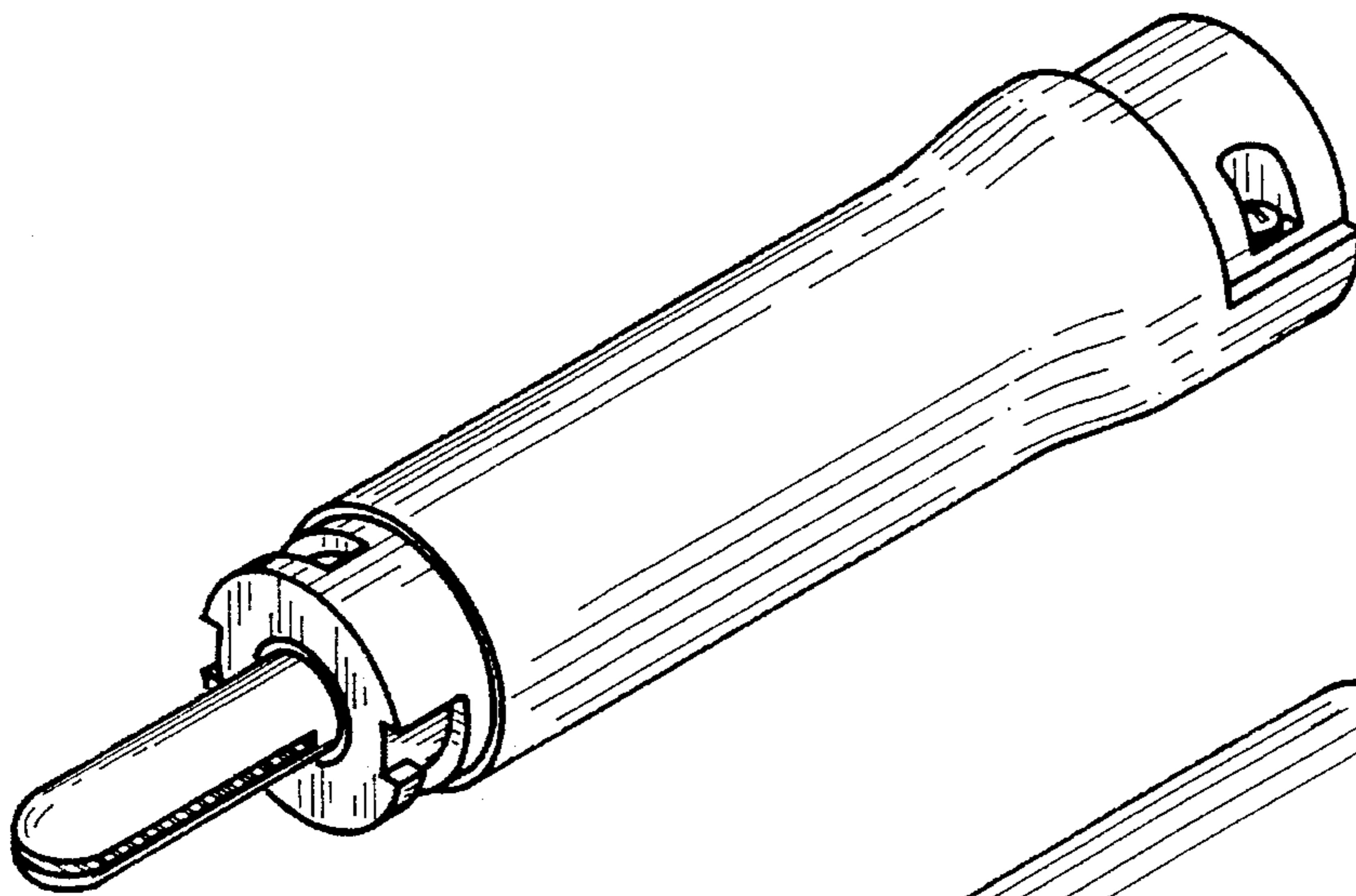


FIG. 4

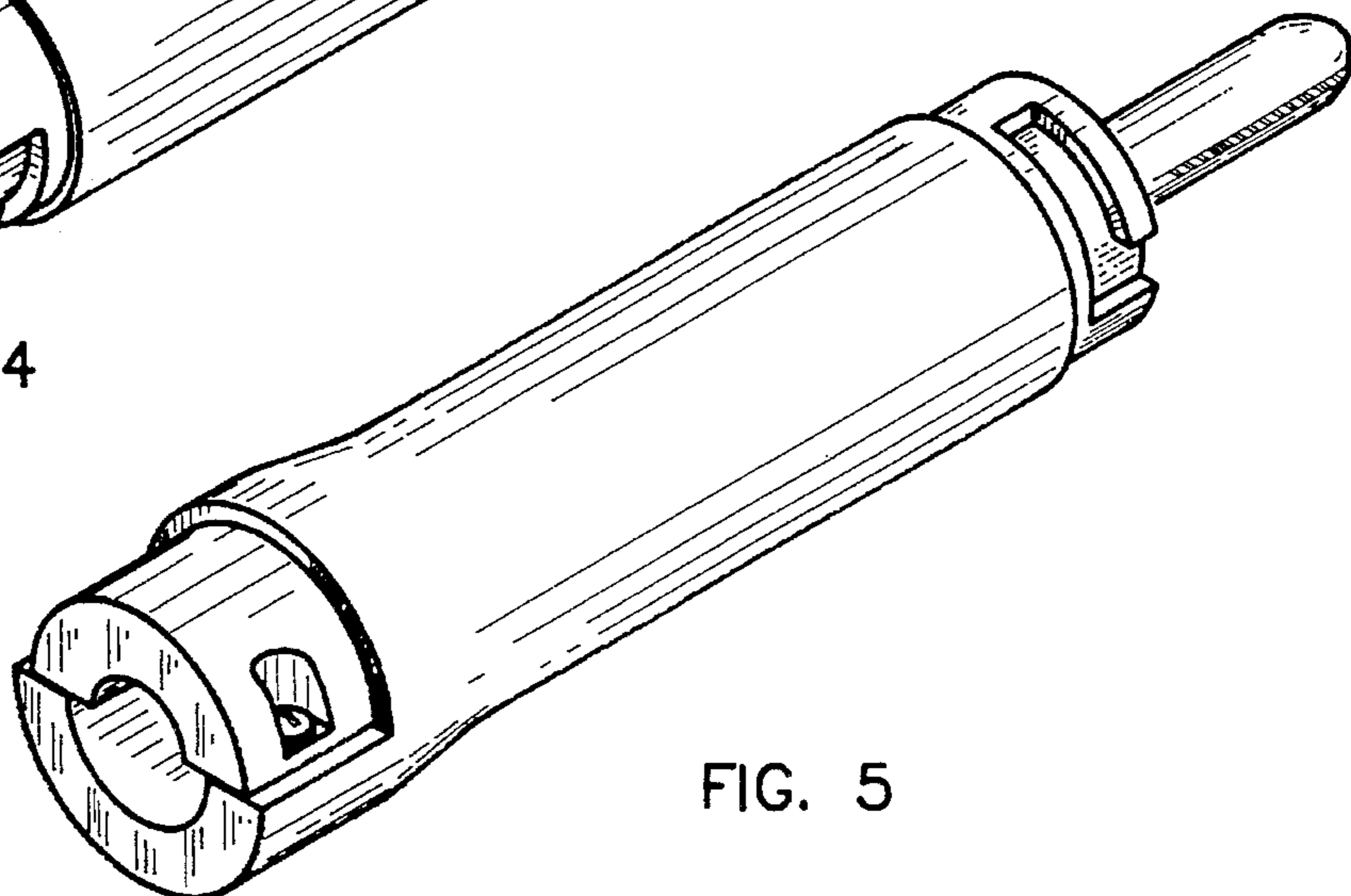


FIG. 5