



US00D368069S

United States Patent [19]
Sakashita et al.

[11] **Patent Number: Des. 368,069**
[45] **Date of Patent: **Mar. 19, 1996**

[54] **COMBINED ELECTRIC MOTOR AND BRACKET**

[75] Inventors: **Hiroshi Sakashita; Norihide Yoshida; Katsuyoshi Miyasaka**, all of Nagano, Japan

[73] Assignee: **Sankyo Seiki Mfg. Co., Ltd.**, Nagano, Japan

[**] Term: **14 Years**

[21] Appl. No.: **35,915**

[22] Filed: **Mar. 9, 1995**

Related U.S. Application Data

[62] Division of Ser. No. 17,075, Jan. 3, 1994, abandoned.

[30] **Foreign Application Priority Data**

Jul. 7, 1993 [JP] Japan 5-20797
Jul. 7, 1993 [JP] Japan 5-20798

[52] **U.S. Cl.** **D13/112**

[58] **Field of Search** D13/112, 113, D13/114; 310/237, 268, 227, 40 R, 40 MM,

58

[56] **References Cited**

U.S. PATENT DOCUMENTS

D. 238,177 12/1975 Ohishi et al. D13/112
D. 291,797 9/1987 Wolfgang D13/112
D. 294,141 2/1988 Ueda D13/112
3,096,455 7/1963 Hahn 310/268
4,093,897 6/1978 Fujita 310/268

Primary Examiner—A. Hugo Word
Assistant Examiner—Robin V. Taylor
Attorney, Agent, or Firm—McAulay Fisher Nissen Goldberg & Kiel

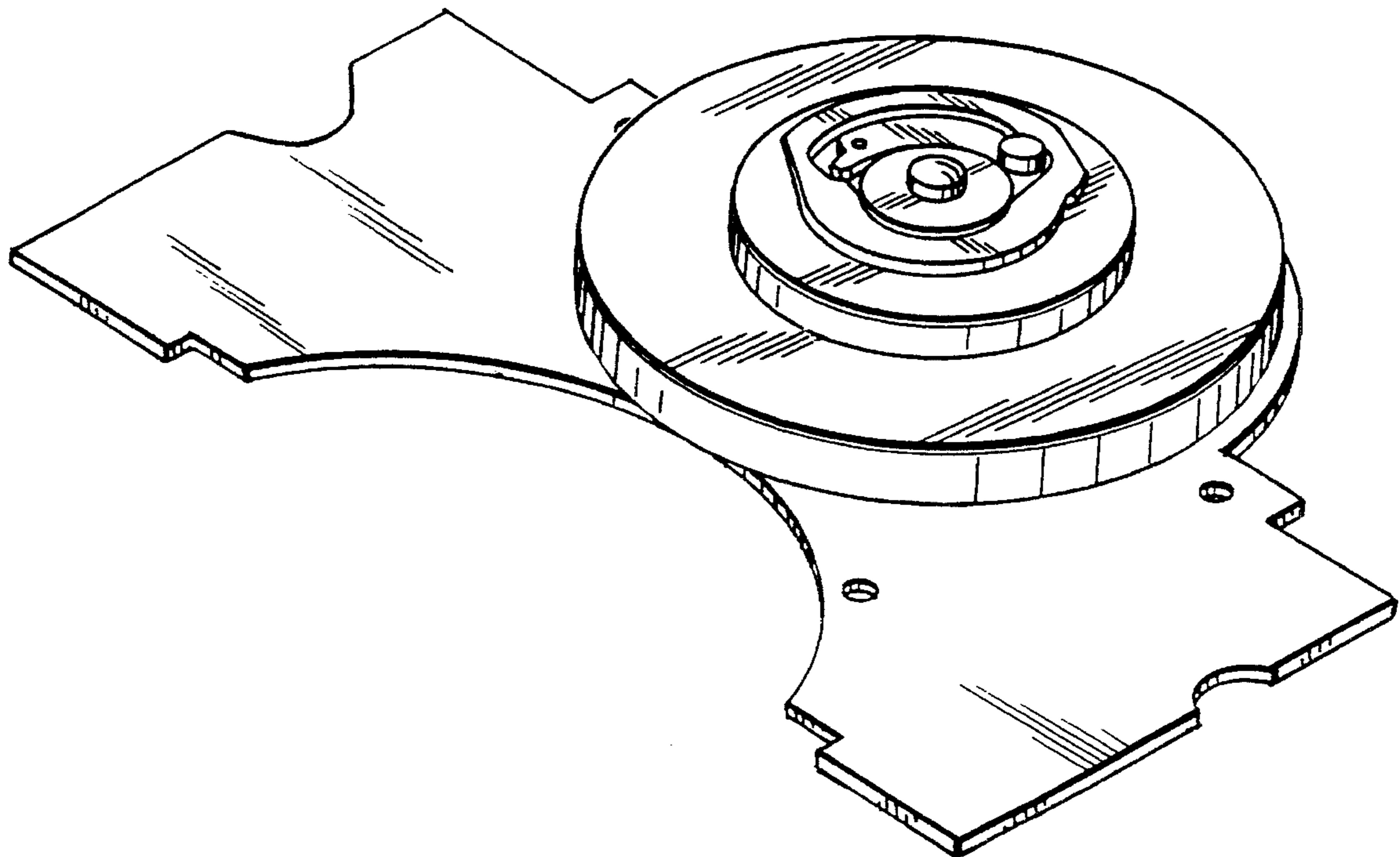
[57] **CLAIM**

The ornamental design for a combined electrical motor and bracket, as shown and described.

DESCRIPTION

FIG. 1 is a top, perspective view of a combined electric motor and bracket showing our new design; FIG. 2 is a top view of the FIG. 1 embodiment; FIG. 3 is a side view of the FIG. 1 embodiment; FIG. 4 is a side view taken orthogonal to the FIG. 3 view of the FIG. 1 embodiment; and, FIG. 5 is a bottom plan view of the FIG. 1 embodiment.

1 Claim, 2 Drawing Sheets



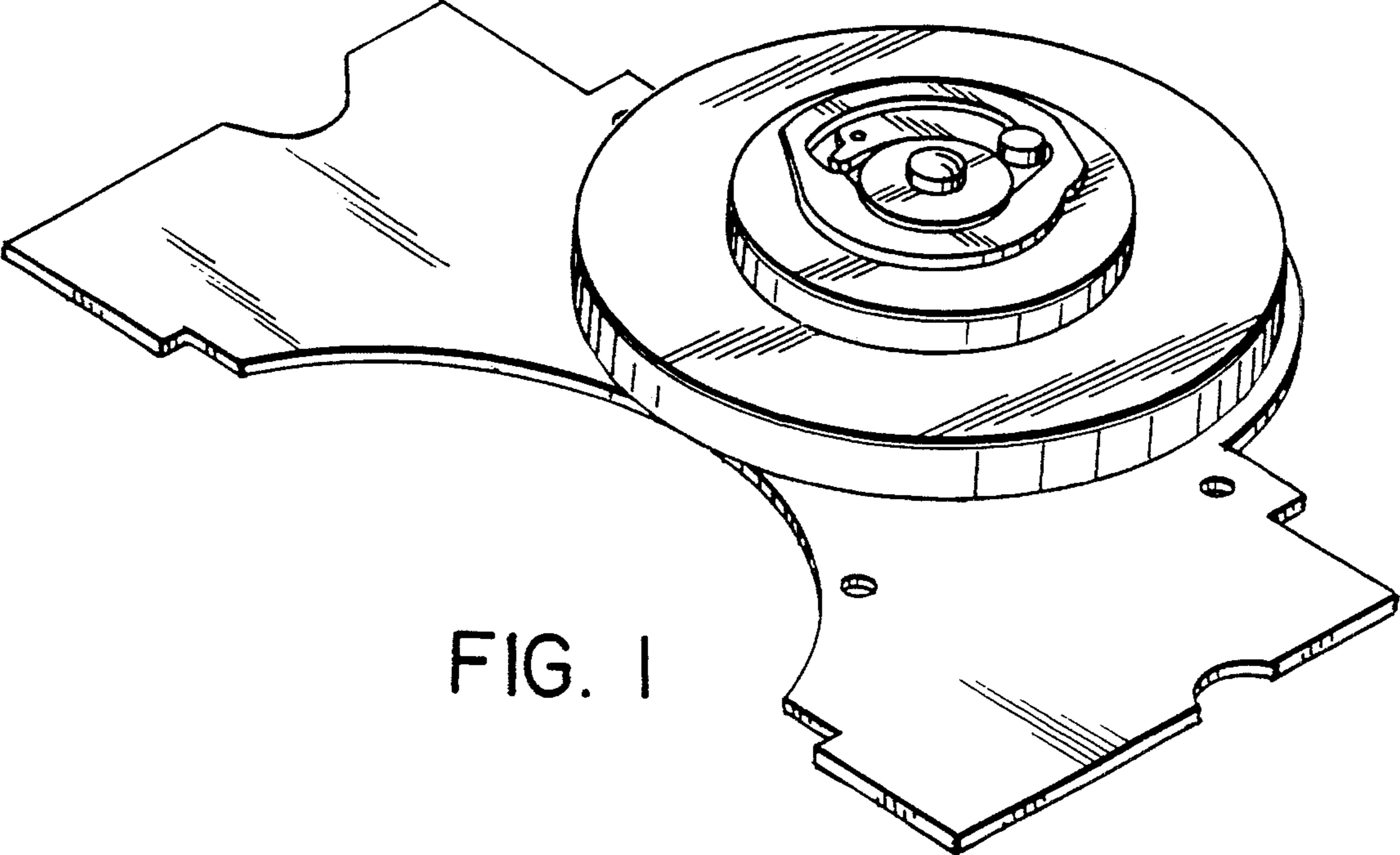


FIG. 1

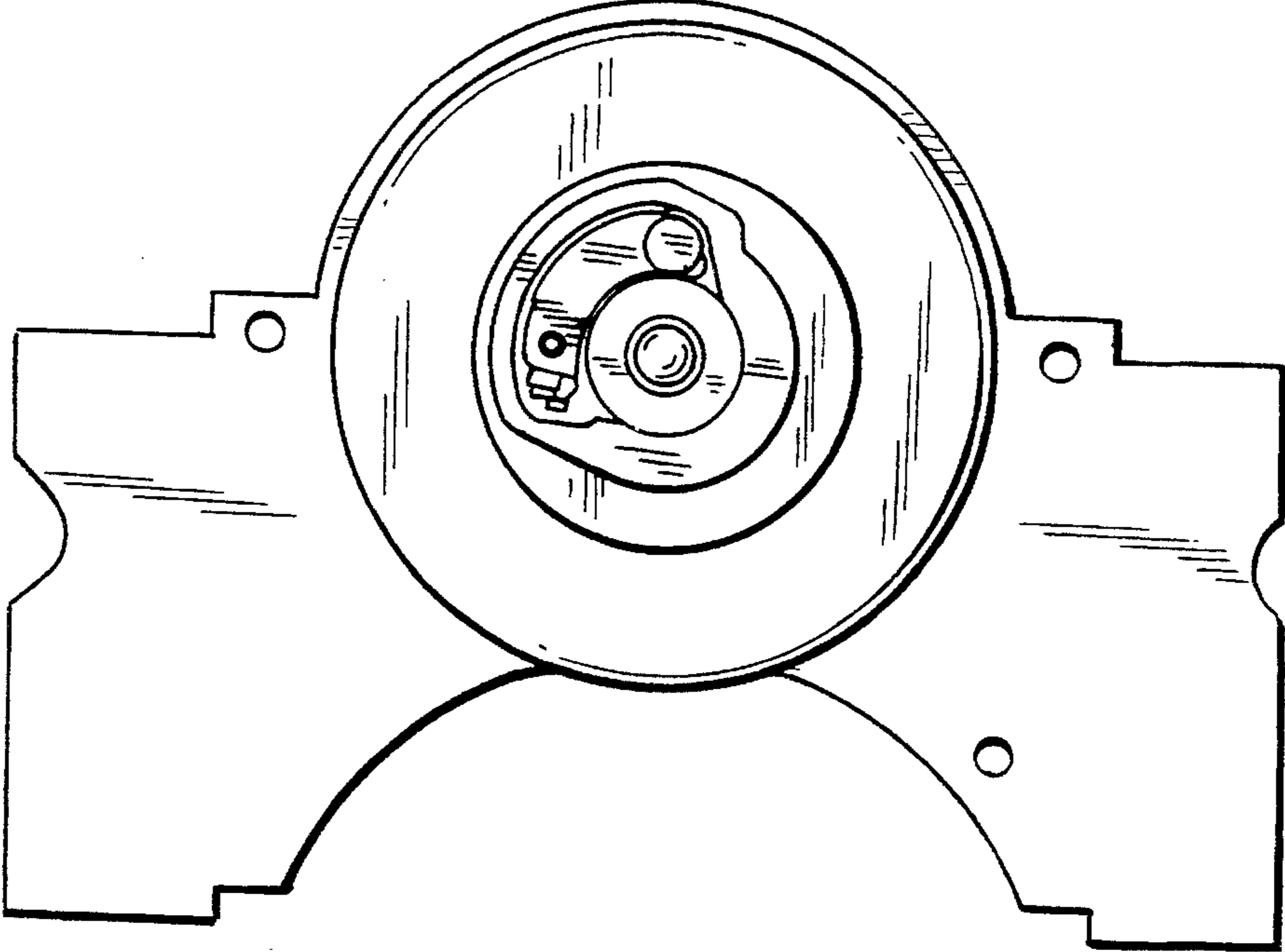


FIG. 2

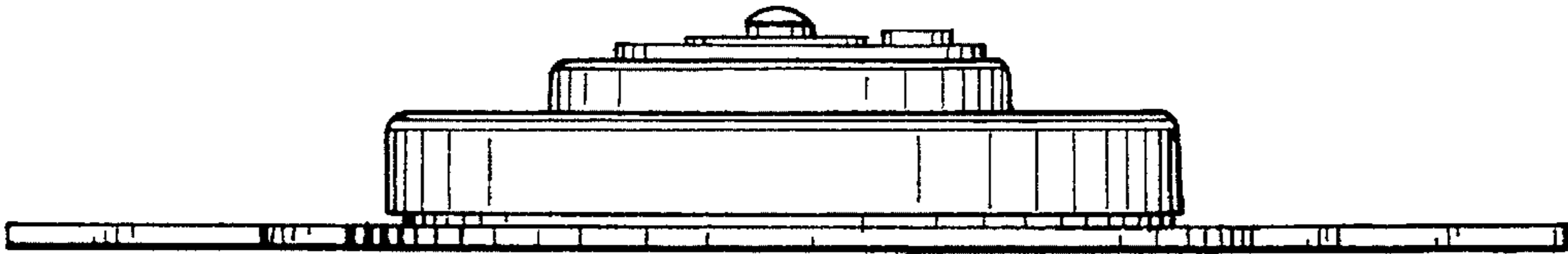


FIG. 3

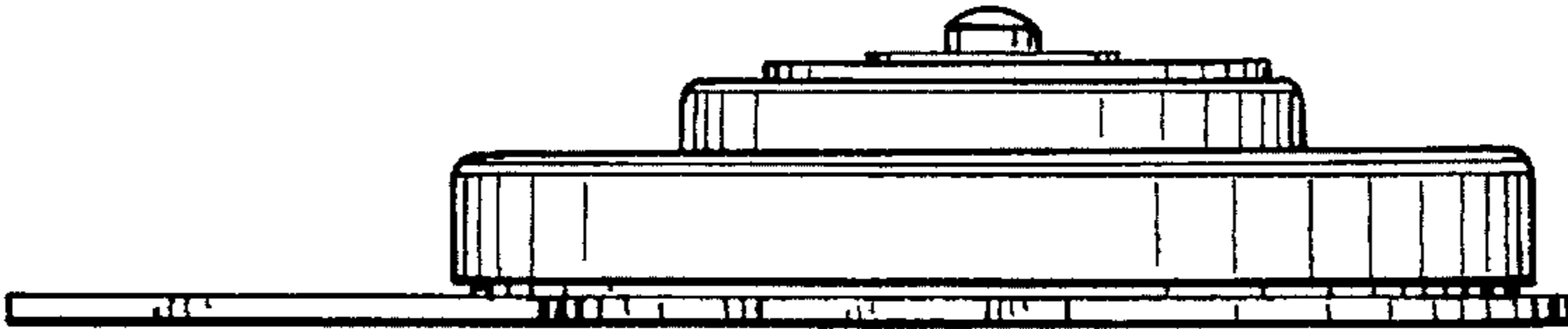


FIG. 4

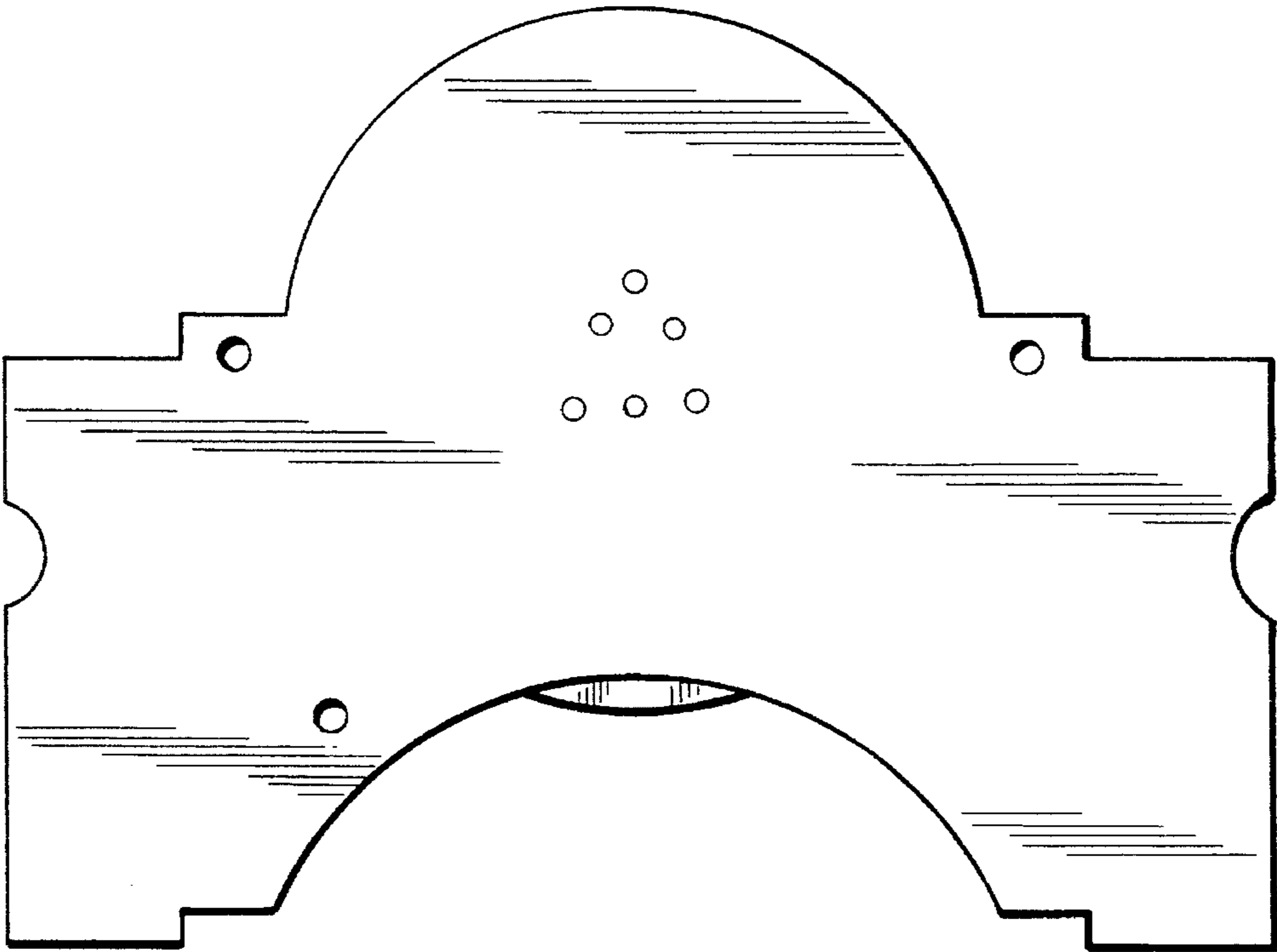


FIG. 5