



US00D368067S

United States Patent [19]
Okumura

[11] **Patent Number: Des. 368,067**
[45] **Date of Patent: **Mar. 19, 1996**

[54] **BATTERY PACK**

D. 350,111 8/1994 Okumura D13/103
4,943,498 7/1990 Cooper et al. 429/97

[75] Inventor: **Michio Okumura**, Anjo, Japan

Primary Examiner—Joel Sincavage

[73] Assignee: **Makita Corporation**, Japan

Attorney, Agent, or Firm—Dennison, Meserole, Pollack & Scheiner

[**] Term: **14 Years**

[57] **CLAIM**

[21] Appl. No.: **28,641**

The ornamental design for a battery pack, as shown and described.

[22] Filed: **Sep. 19, 1994**

DESCRIPTION

[30] **Foreign Application Priority Data**

Mar. 23, 1994 [JP] Japan 6-7723

[52] **U.S. Cl.** **D13/103**

[58] **Field of Search** D13/103, 119;
D8/68; 429/96, 99, 163

FIG. 1 is a top, front and left side perspective view of a battery pack showing my new design;

FIG. 2 is a bottom, front and right side perspective view thereof;

FIG. 3 is a front elevational view thereof;

FIG. 4 is a rear elevational view thereof;

FIG. 5 is a left side elevational view thereof;

FIG. 6 is a right side elevational view thereof;

FIG. 7 is a top plan view thereof; and,

FIG. 8 is a bottom plan view thereof.

[56] **References Cited**

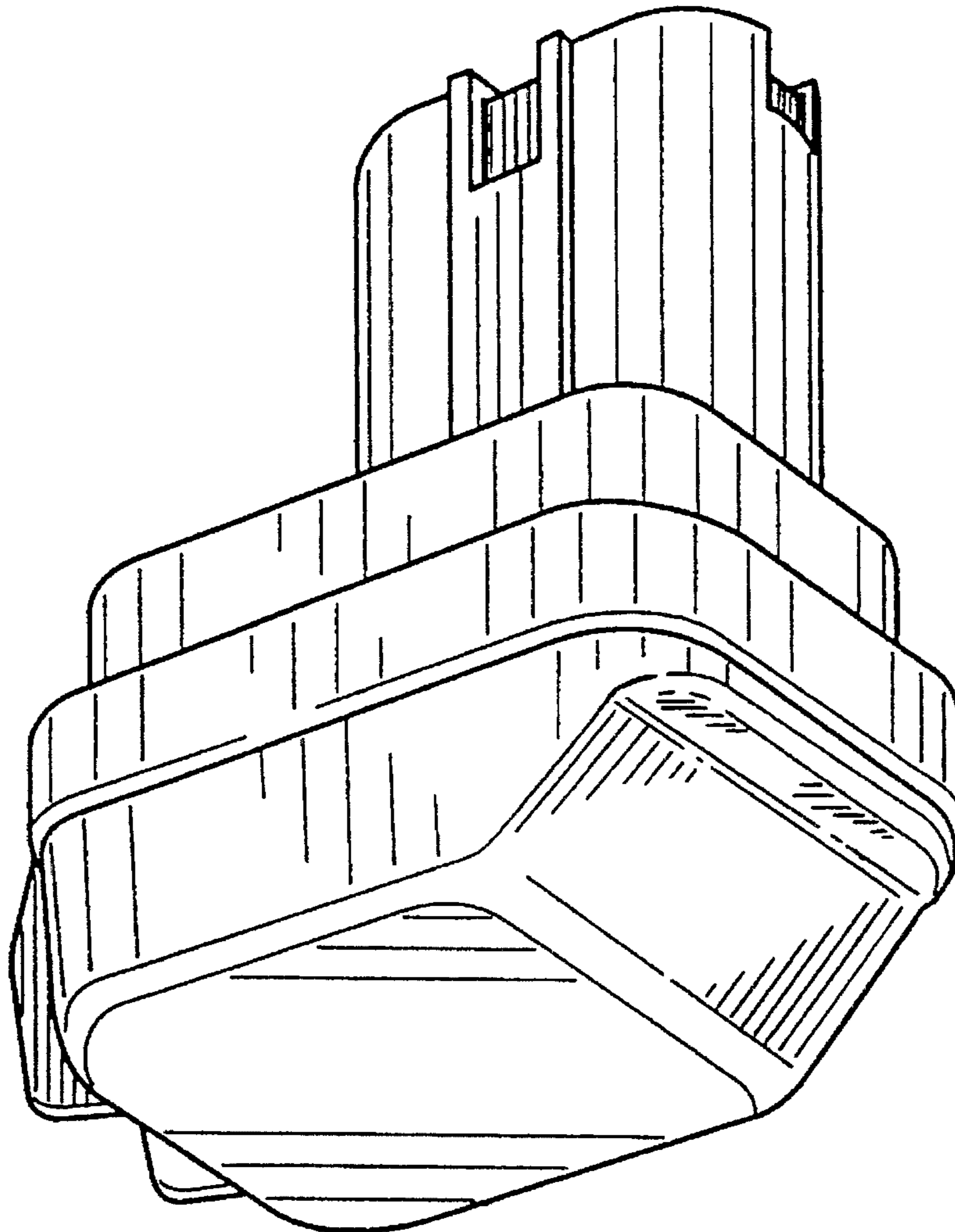
U.S. PATENT DOCUMENTS

D. 304,822 11/1989 Fushiya et al. D13/103

D. 321,338 11/1991 Sakamoto et al. D13/119

D. 342,479 12/1993 Kimata D13/103

1 Claim, 5 Drawing Sheets



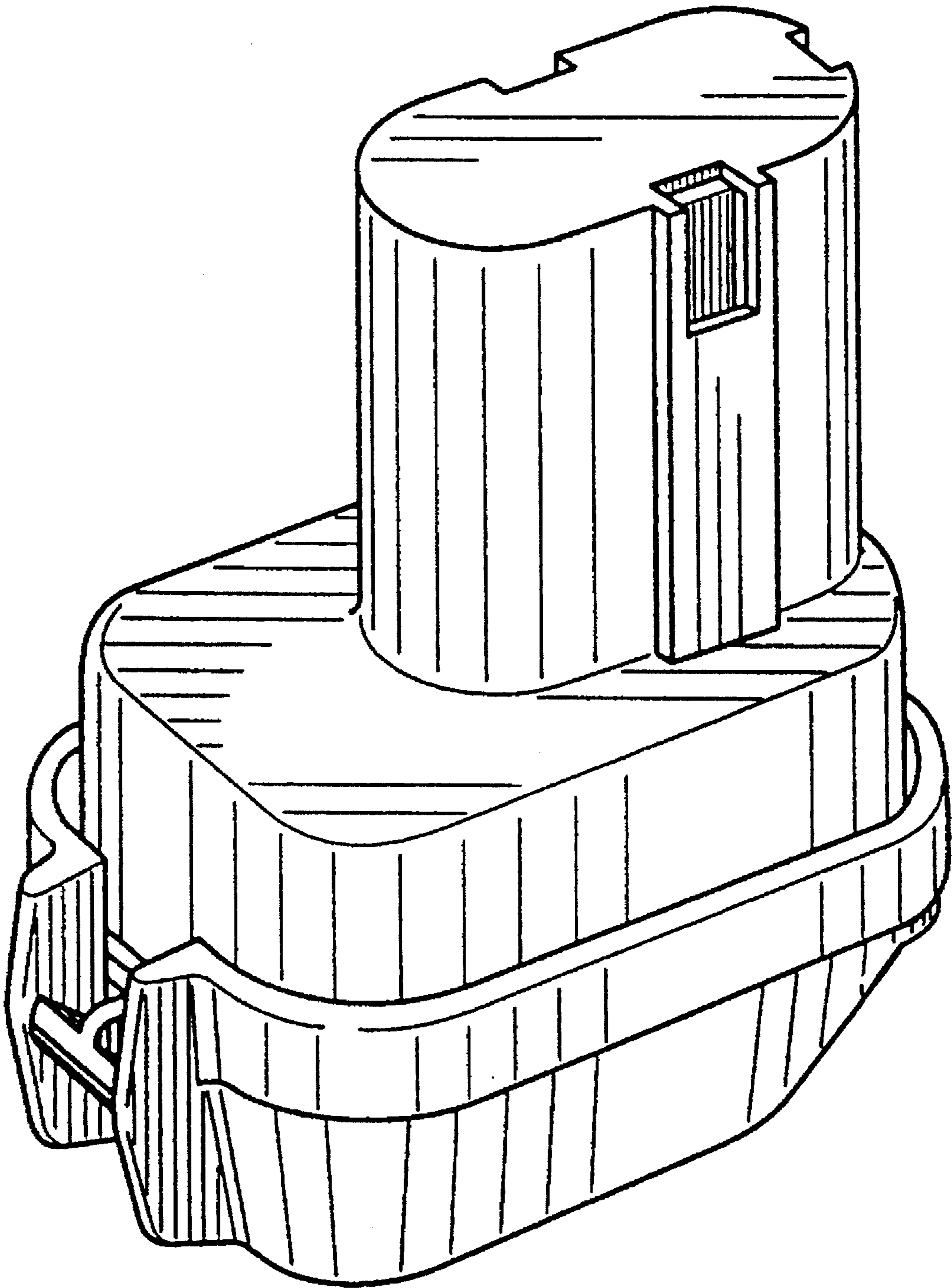


FIG. 1

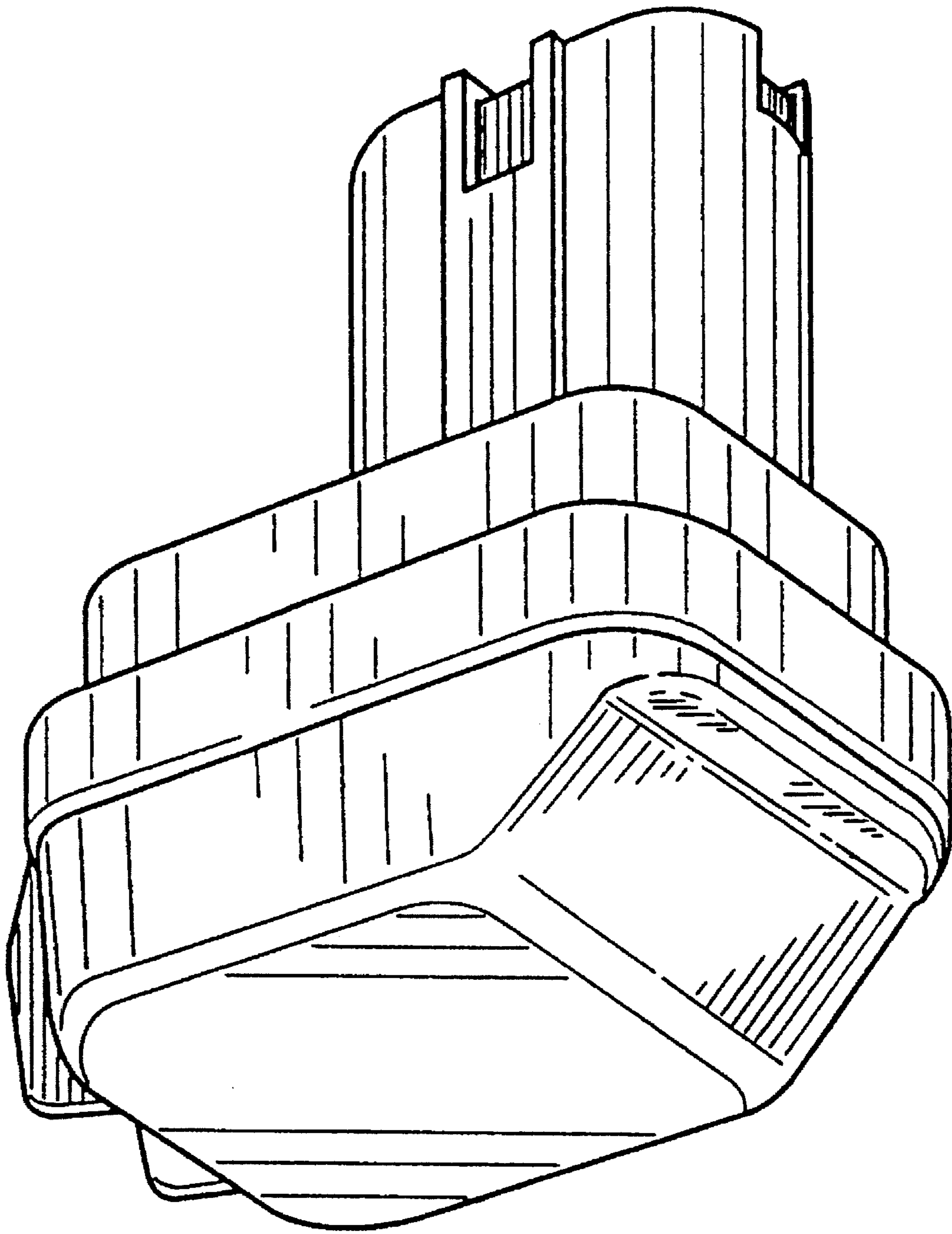


FIG. 2

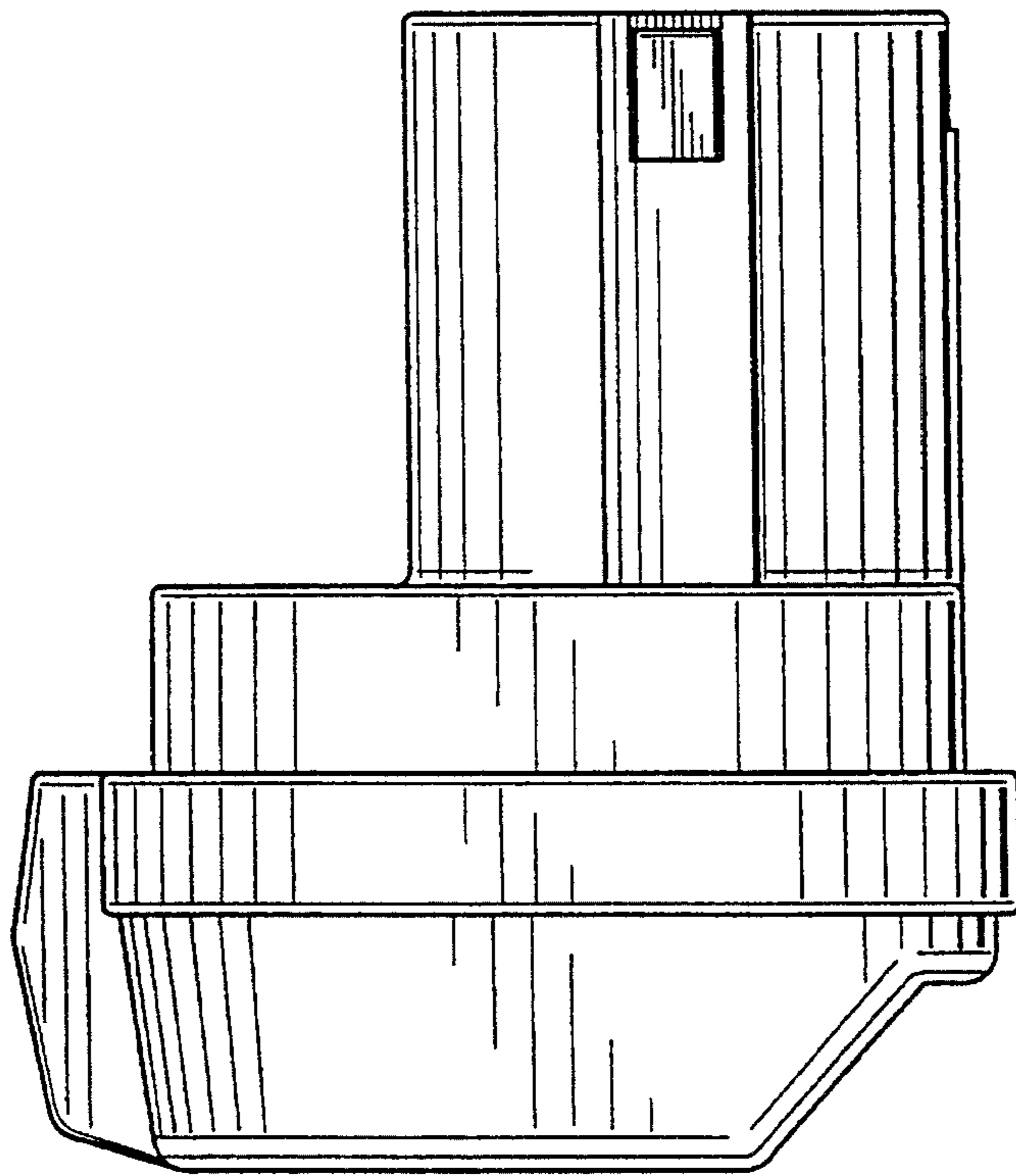


FIG. 3

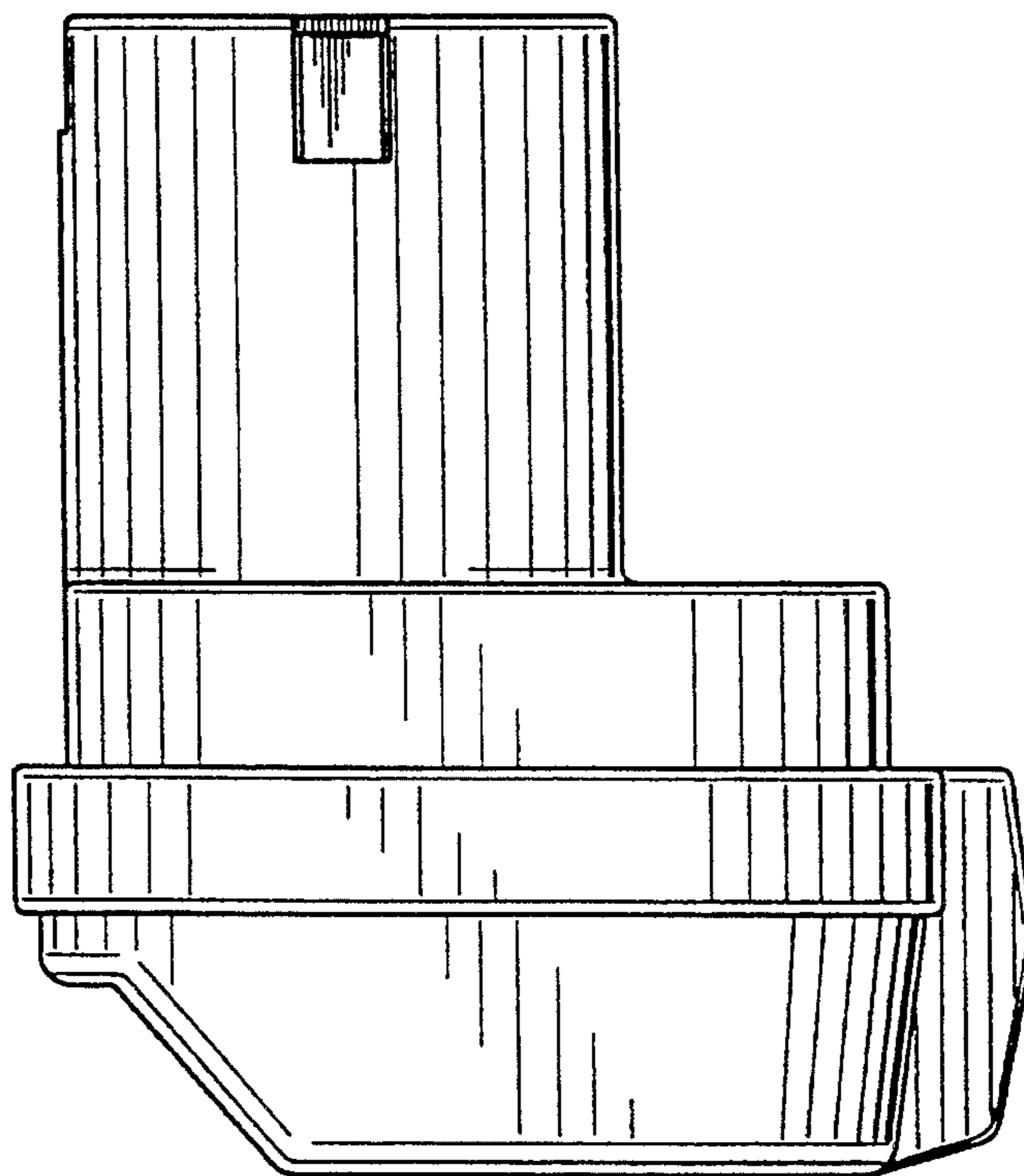


FIG. 4

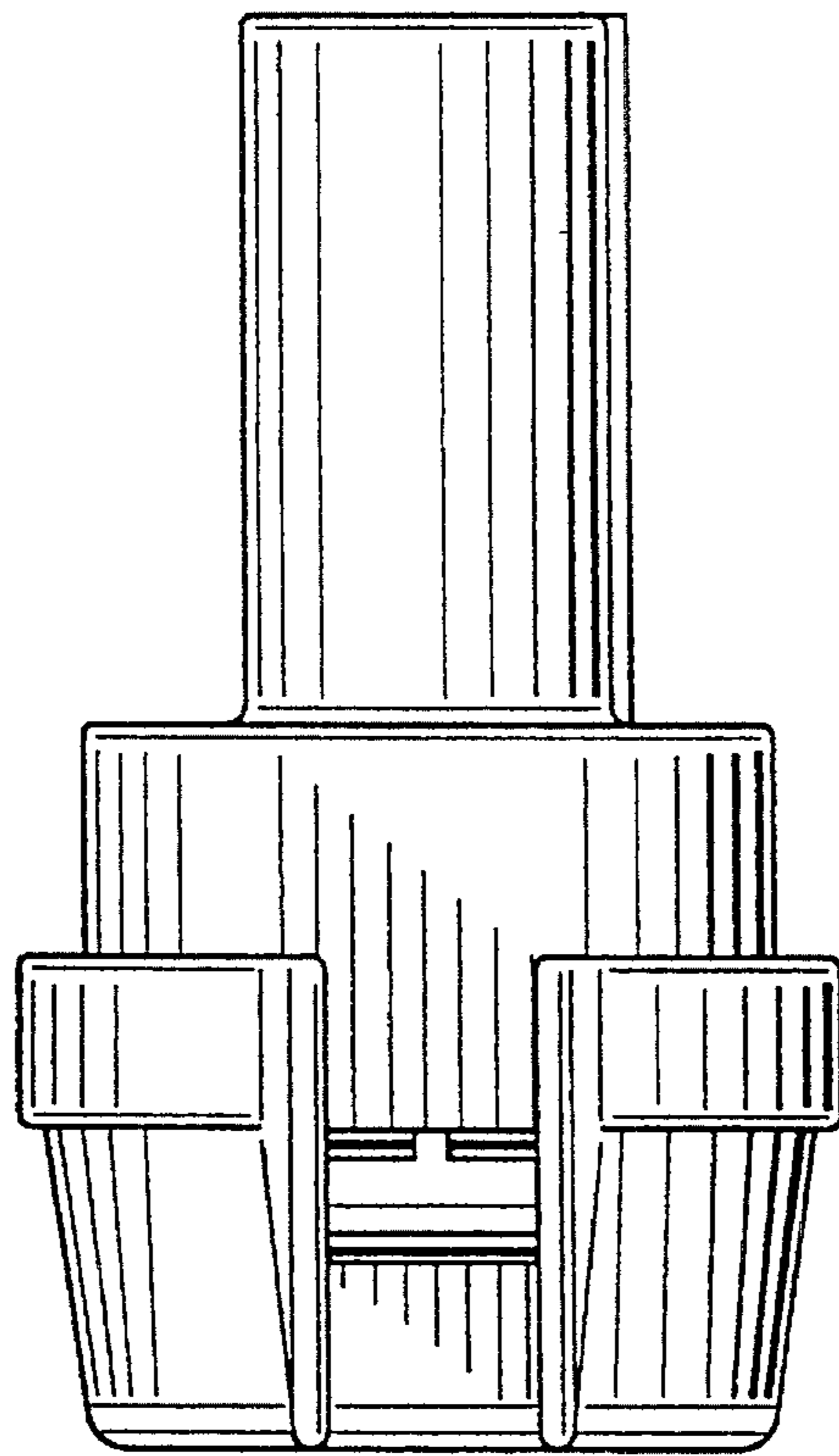


FIG. 5

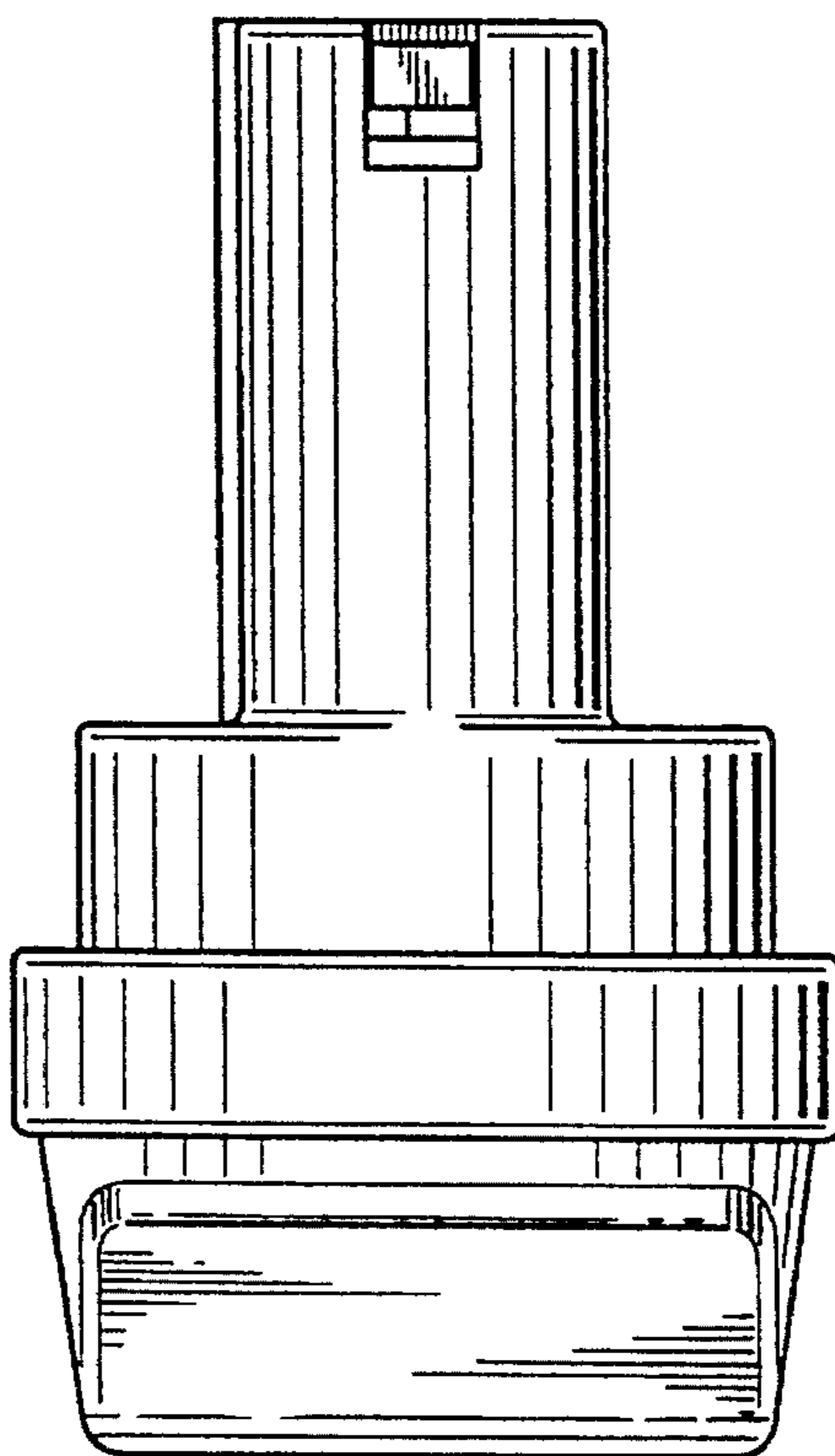


FIG. 6

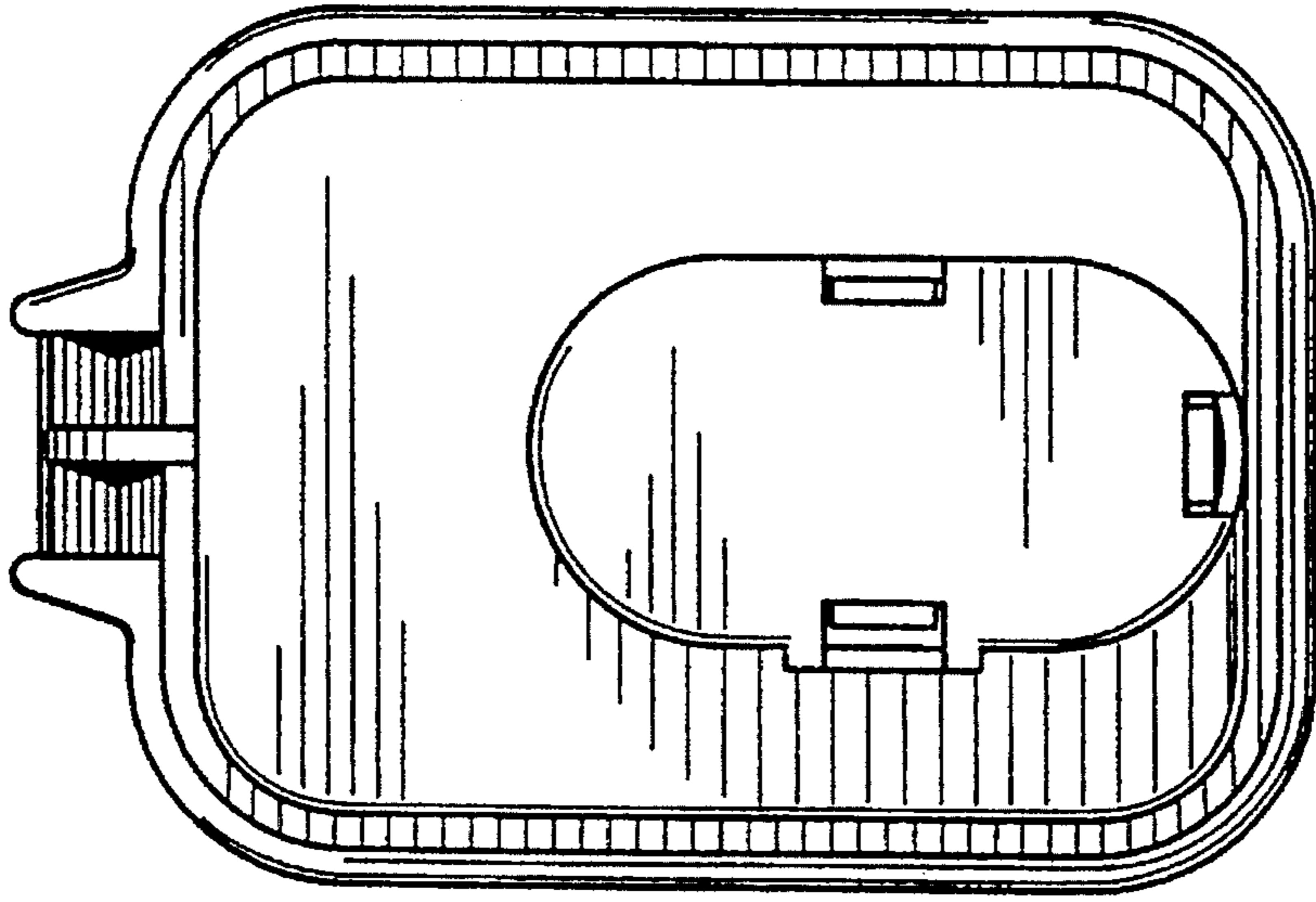


FIG. 7

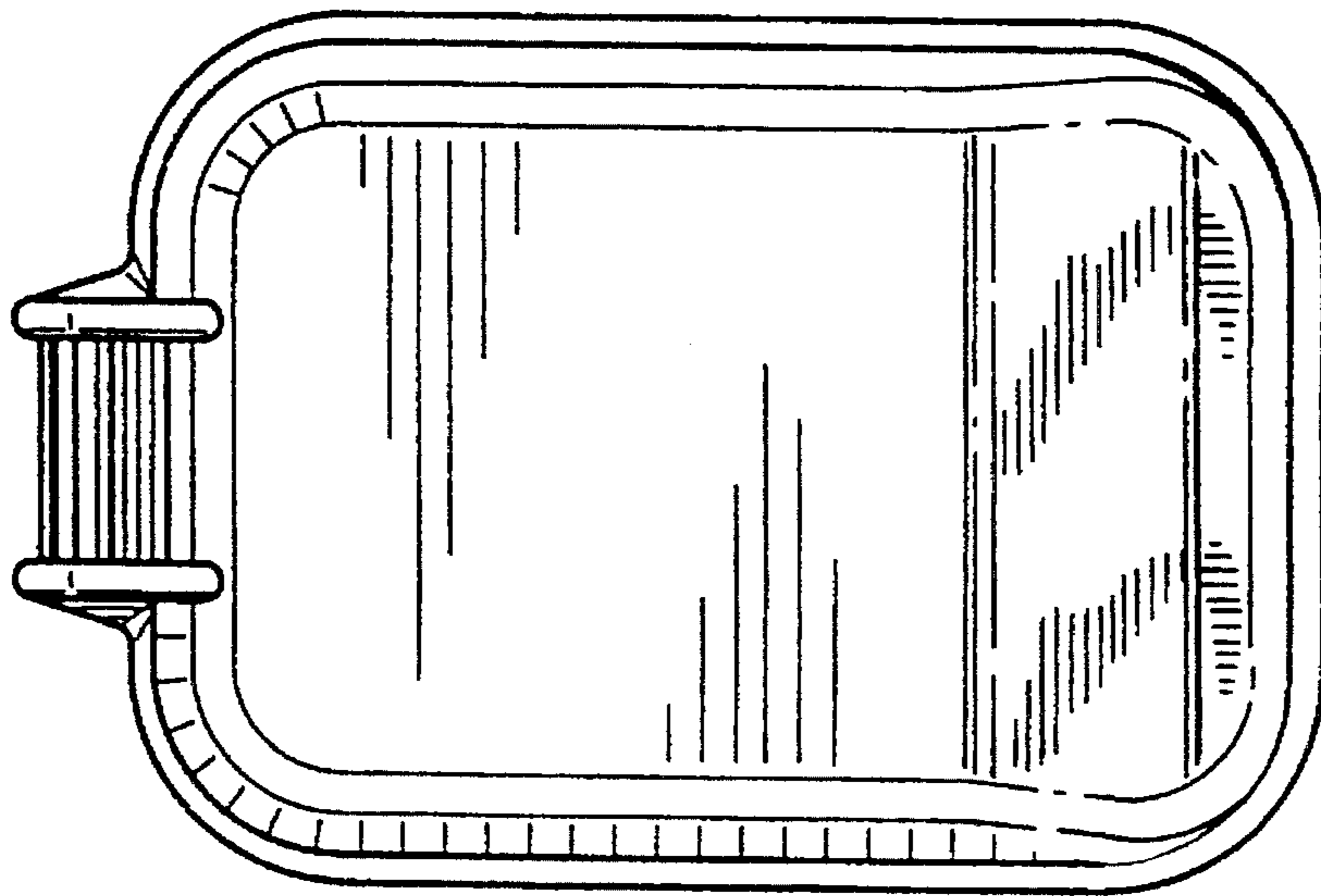


FIG. 8