



US00D368066S

# United States Patent [19]

Boles

[11] Patent Number: **Des. 368,066**

[45] Date of Patent: **\*\*Mar. 19, 1996**

[54] **LETTER RECEPTACLE FOR A VEHICLE**

[76] Inventor: **Clarence E. Boles**, 3593 Idle Creek Dr., Decatur, Ga. 30034

[\*\*] Term: **14 Years**

[21] Appl. No.: **24,371**

[22] Filed: **Jun. 13, 1994**

[52] U.S. Cl. .... **D12/425**

[58] Field of Search ..... D12/424, 425, D12/419; 108/44; 224/277; D19/75, 78

[56] **References Cited**

**U.S. PATENT DOCUMENTS**

D. 279,523	9/1985	Seltzer	.....	D12/425
D. 326,358	5/1992	Rothbard	.....	D12/425 X
1,564,989	12/1925	Weisberger	.....	108/44 X

**FOREIGN PATENT DOCUMENTS**

1120118	7/1956	France	.....	108/44
---------	--------	--------	-------	--------

*Primary Examiner*—A. Hugo Word  
*Assistant Examiner*—Holly Baynham  
*Attorney, Agent, or Firm*—James B. Middleton

[57] **CLAIM**

The ornamental design for a letter receptacle for a vehicle, as shown.

**DESCRIPTION**

FIG. 1 is a perspective view of a letter receptacle for a vehicle embodying my new design, and showing the top, front and right end thereof;

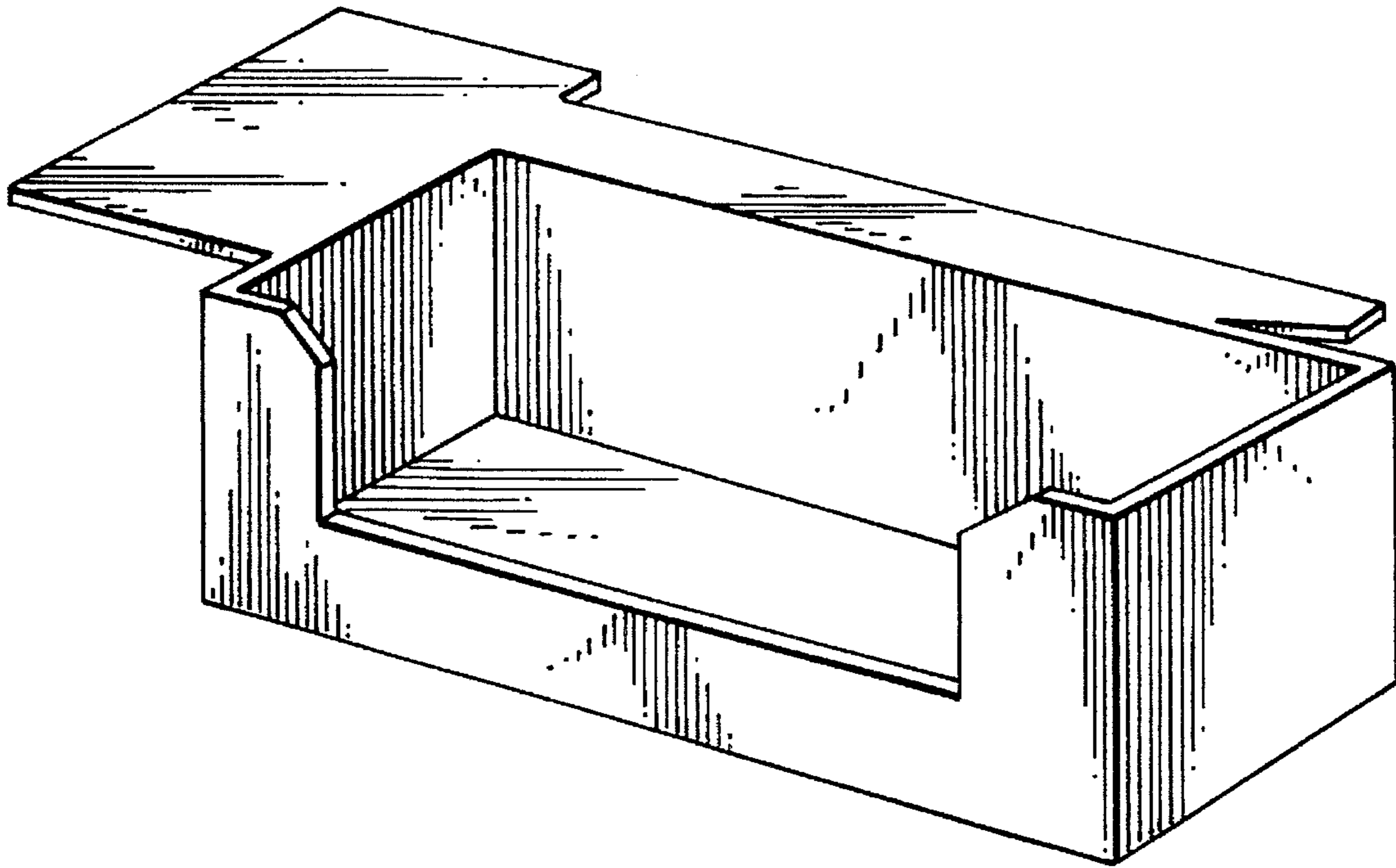
FIG. 2 is a left end elevational view thereof;

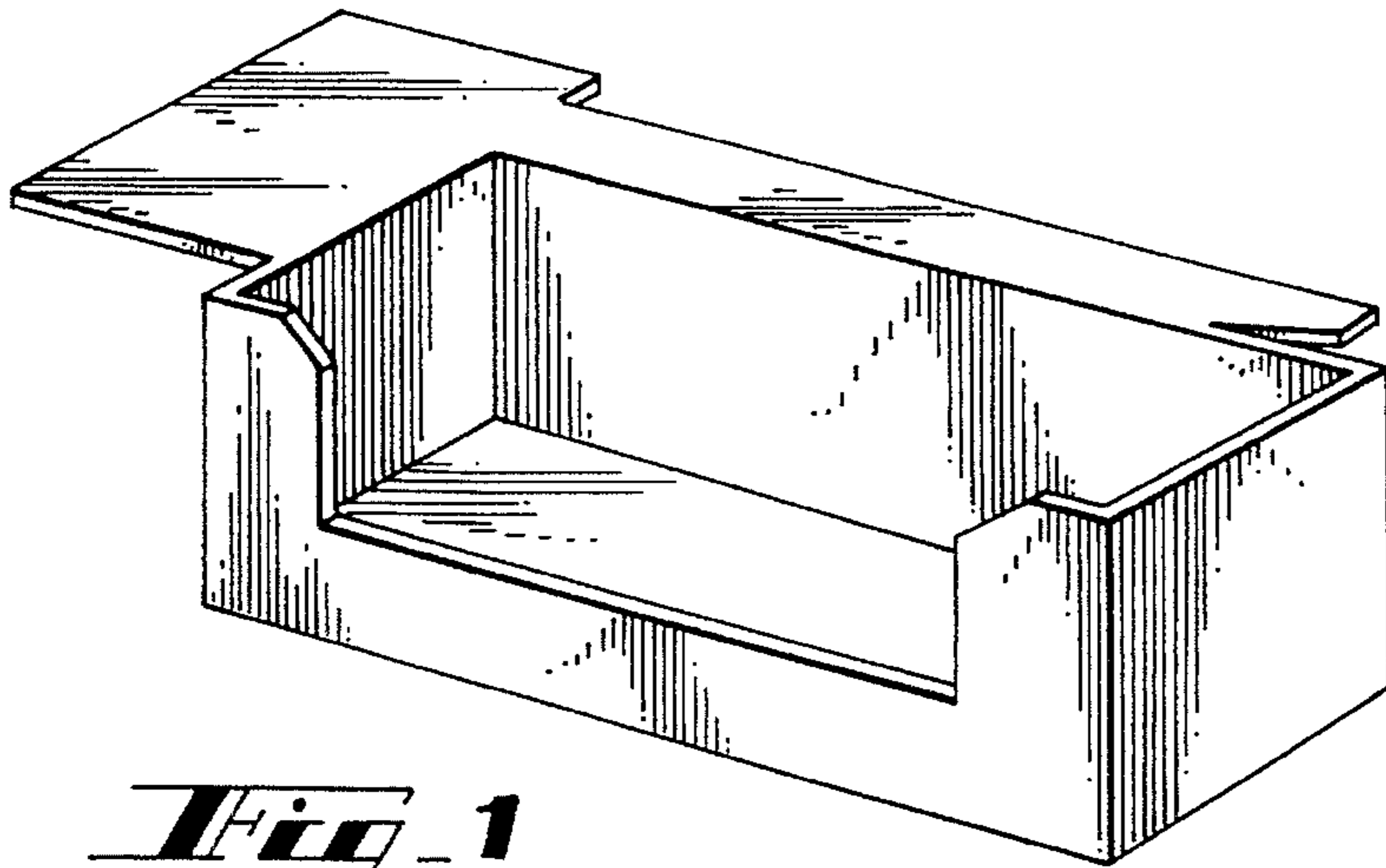
FIG. 3 is a top plan view thereof;

FIG. 4 is a bottom plan view thereof; and,

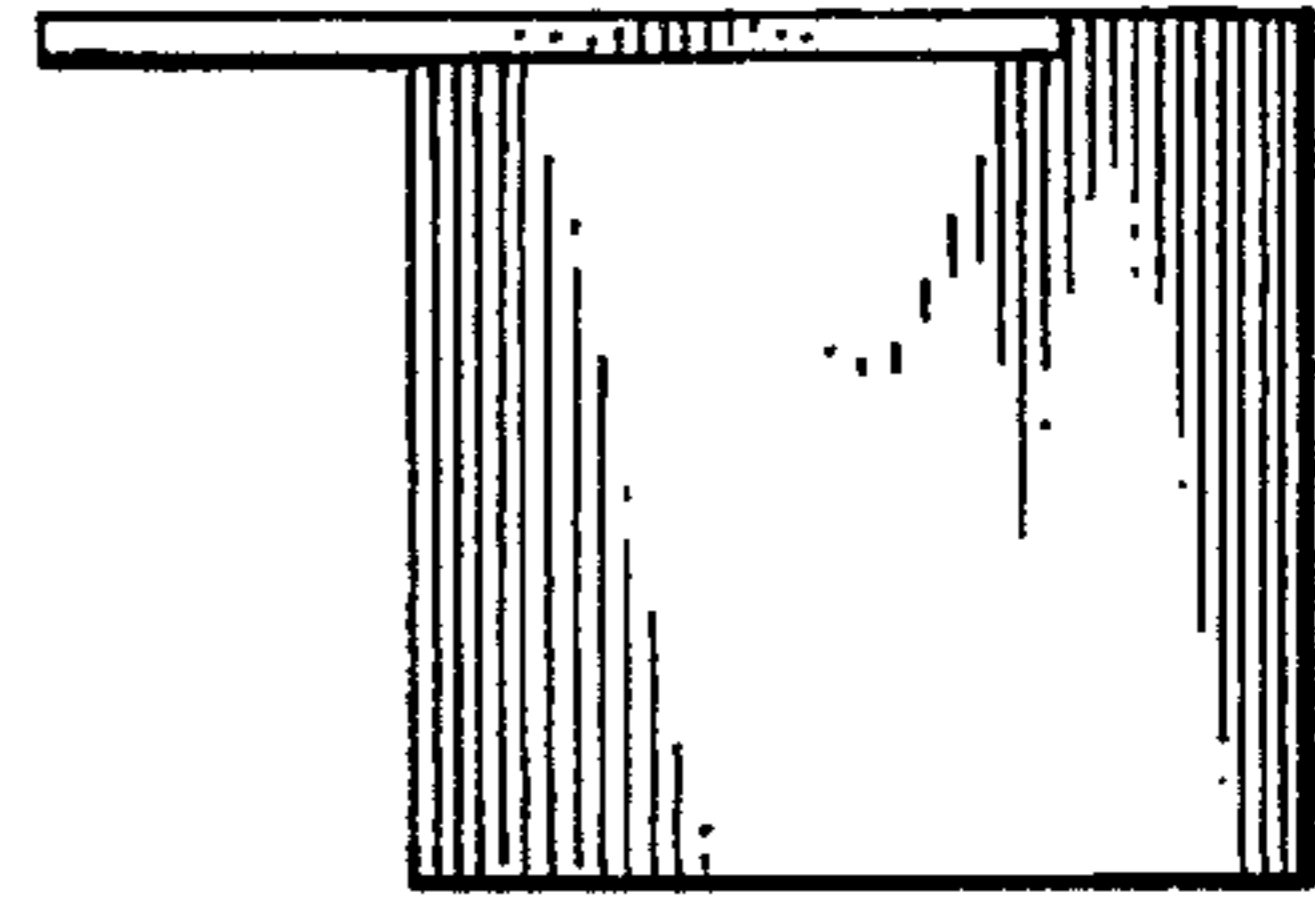
FIG. 5 is a rear elevational view thereof.

**1 Claim, 1 Drawing Sheet**



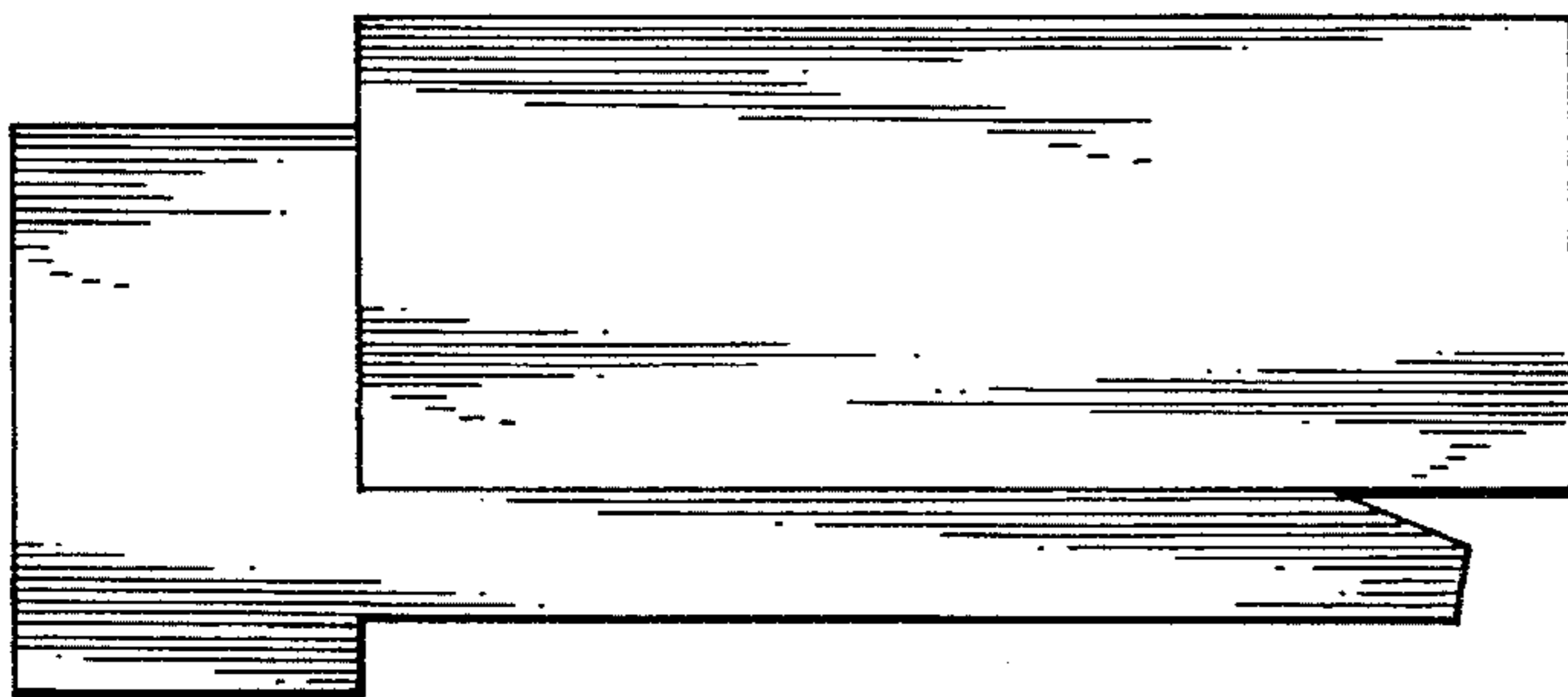
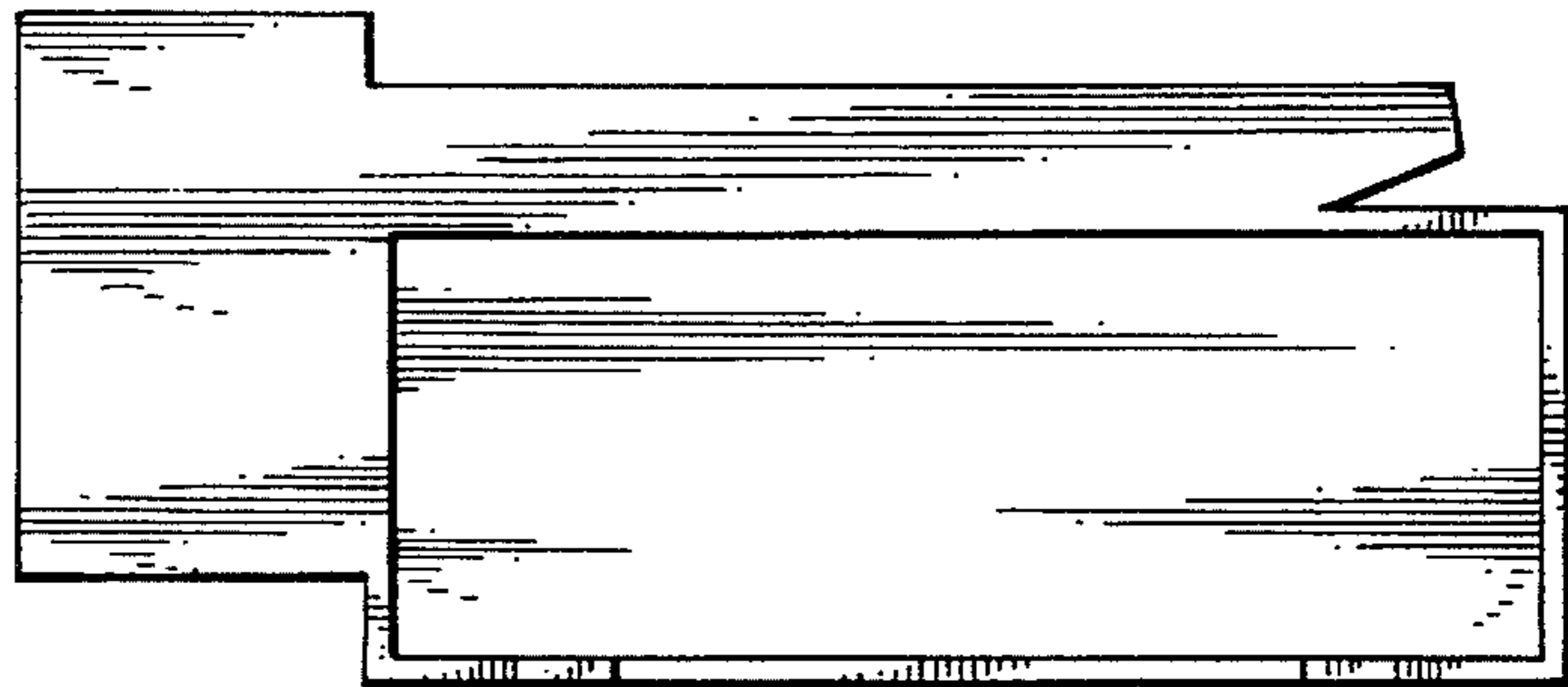


**Fig. 1**



**Fig. 2**

**Fig. 3**



**Fig. 4**

**Fig. 5**

