



US00D368064S

United States Patent [19]

[11] Patent Number: **Des. 368,064**

Speece

[45] Date of Patent: ****Mar. 19, 1996**

[54] **OPEN-BOTTOMED COVER FOR MOUNTING ON THE ROOF OF A MOTOR VEHICLE**

4,718,587 1/1988 Roberts 224/328
4,974,766 12/1990 DiPalma et al. 224/328

[76] Inventor: **Donald R. Speece**, 1130 E. Gene Autry Way, Anaheim, Calif. 92805-6714

Primary Examiner—A. Hugo Word
Assistant Examiner—M. Brown
Attorney, Agent, or Firm—Richard L. Gausewitz

[**] Term: **14 Years**

[57] **CLAIM**

[21] Appl. No.: **38,895**

The ornamental design for an open-bottomed cover for mounting on the roof of a motor vehicle, as shown and described.

[22] Filed: **May 15, 1995**

[52] U.S. Cl. **D12/404**

[58] Field of Search D12/404, 406, D12/413; 296/100; 224/316, 319, 324, 327, 328, 329

DESCRIPTION

[56] References Cited

U.S. PATENT DOCUMENTS

D. 150,087	6/1948	Martin	D12/413
D. 244,016	4/1977	Waldman	D12/404
D. 285,546	9/1986	Hayslette	D12/404
D. 298,929	12/1988	Johnson et al.	D12/404
D. 312,432	11/1990	Lewis	D12/423
D. 337,086	7/1993	Theodorsen	D12/404
3,006,519	10/1961	Doane	224/328
4,317,534	2/1982	Louw	224/328
4,433,804	2/1984	Bott	224/321

FIG. 1 is an isometric view of an open-bottomed cover for mounting on the roof of a motor vehicle, showing the top, the front end and one side;

FIG. 2 is an isometric view thereof, showing the rear end, the top, and the other side;

FIG. 3 is a side elevational view thereof, showing the side shown in FIG. 2;

FIG. 4 is a front elevational view thereof; and,

FIG. 5 is a rear elevational view thereof.

The side not shown in FIG. 3 is the mirror image of the side shown therein. The bottom of the cover is open, hollow, plain and unornamented.

1 Claim, 2 Drawing Sheets

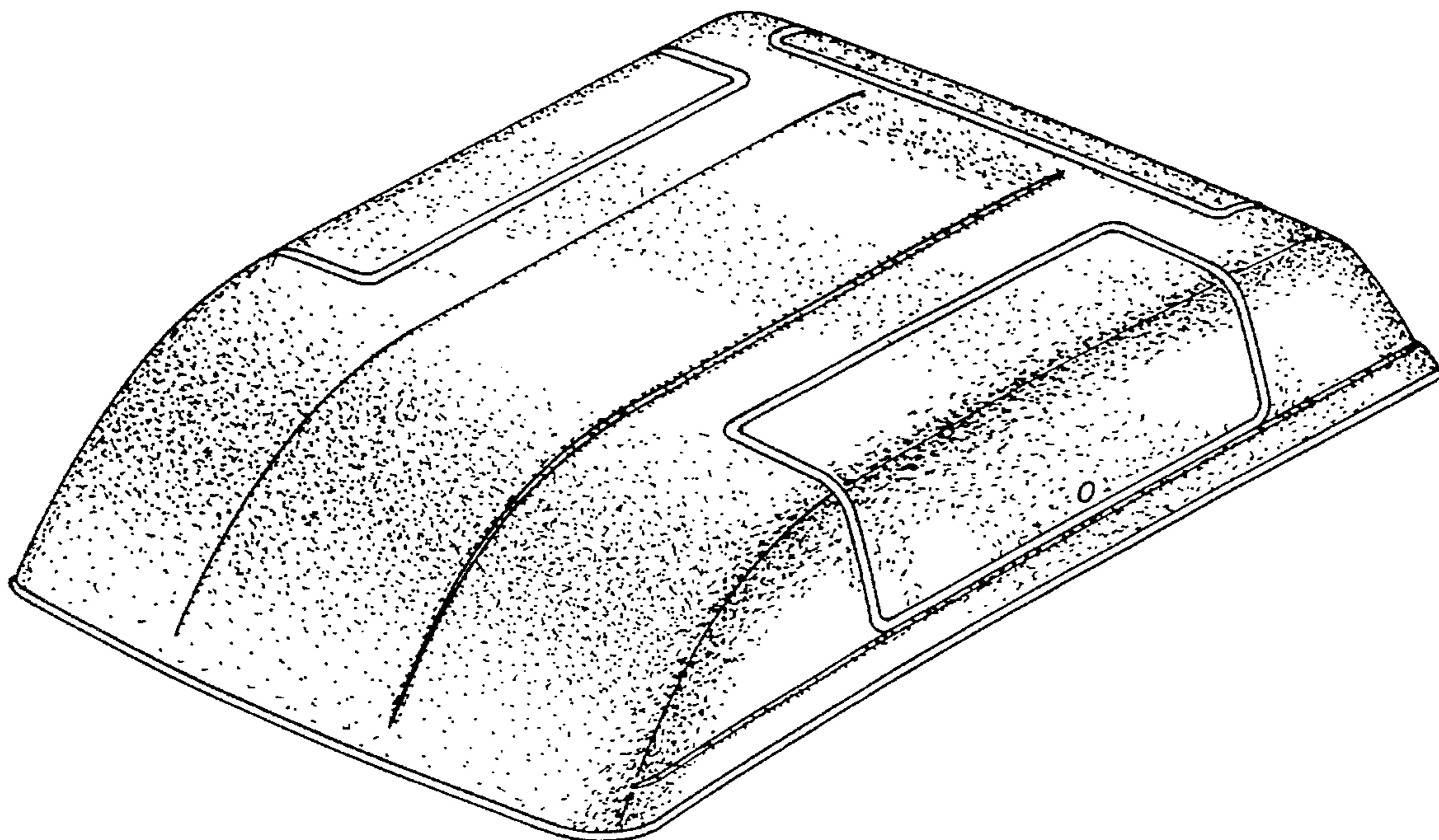


FIG. 1.

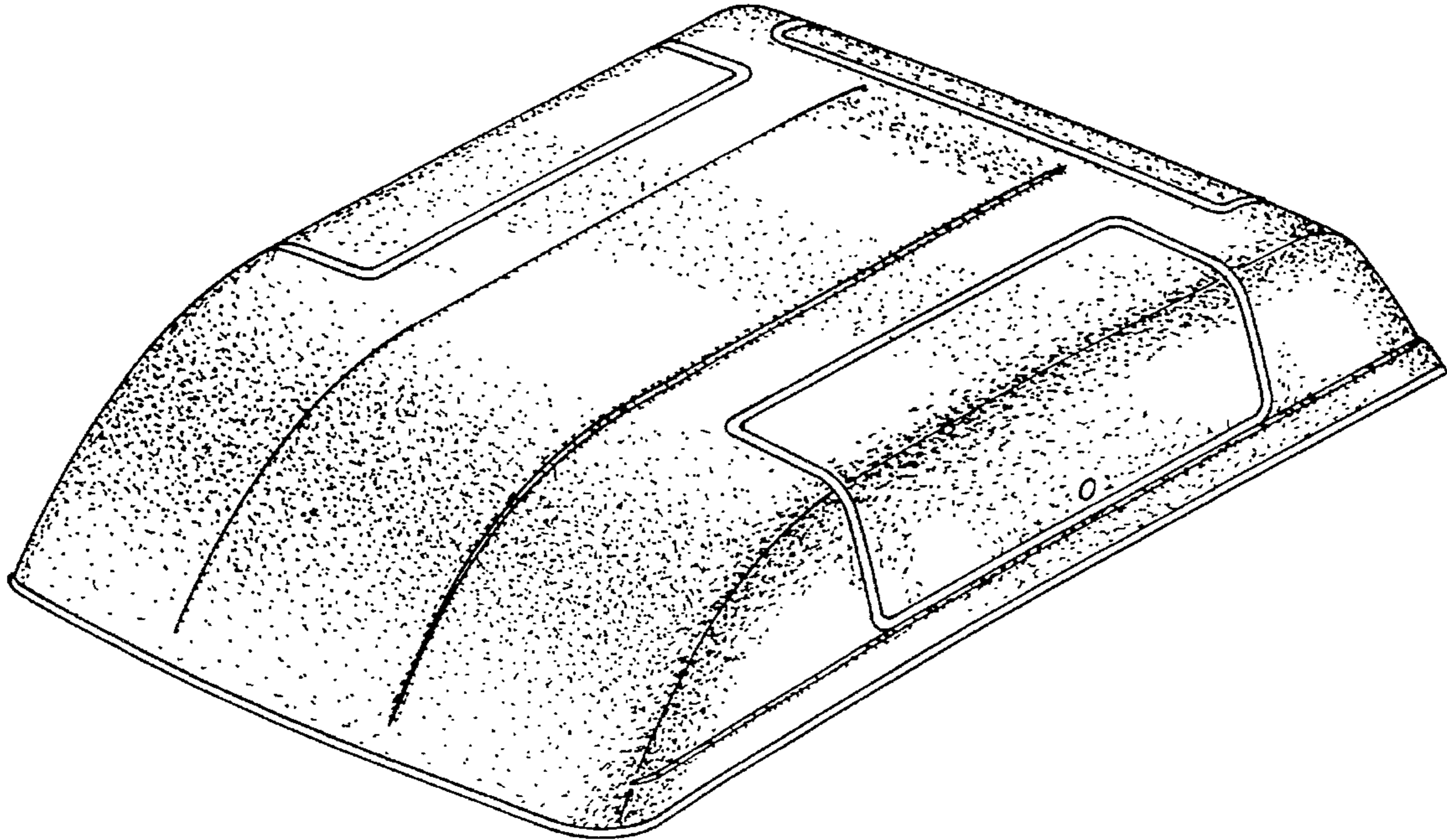


FIG. 2.

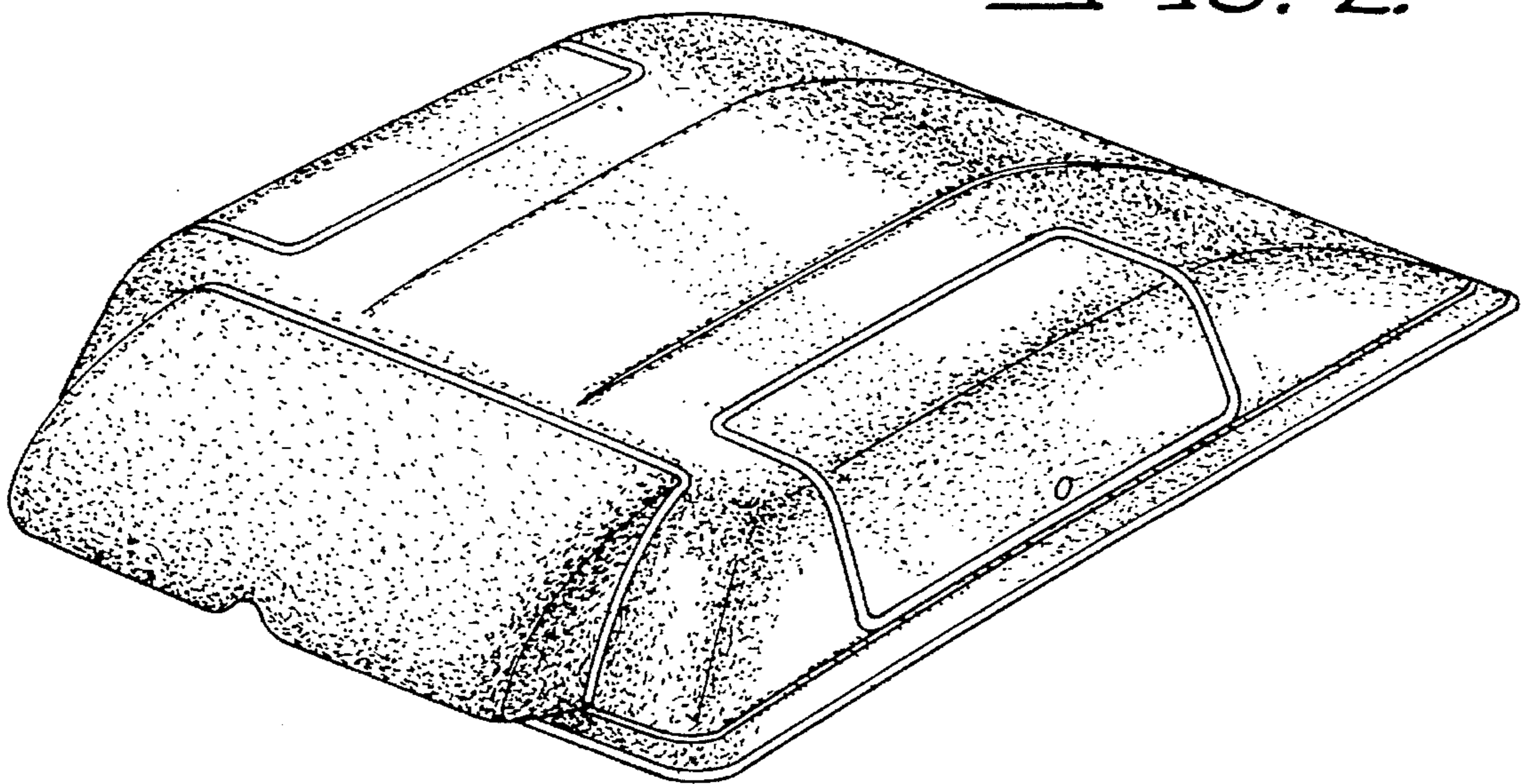


FIG. 3.

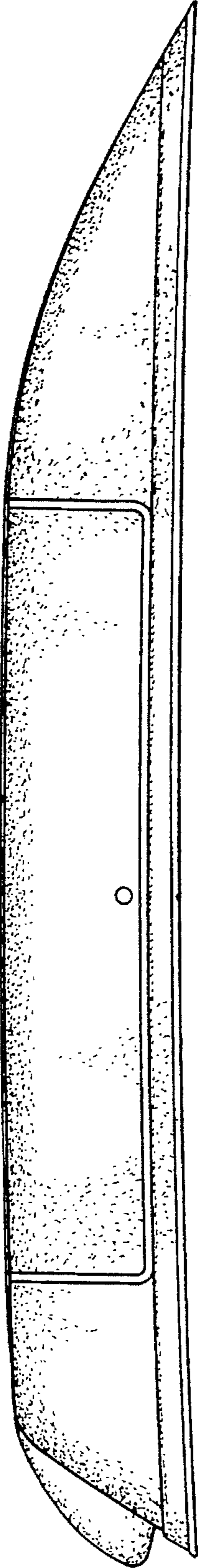


FIG. 4.

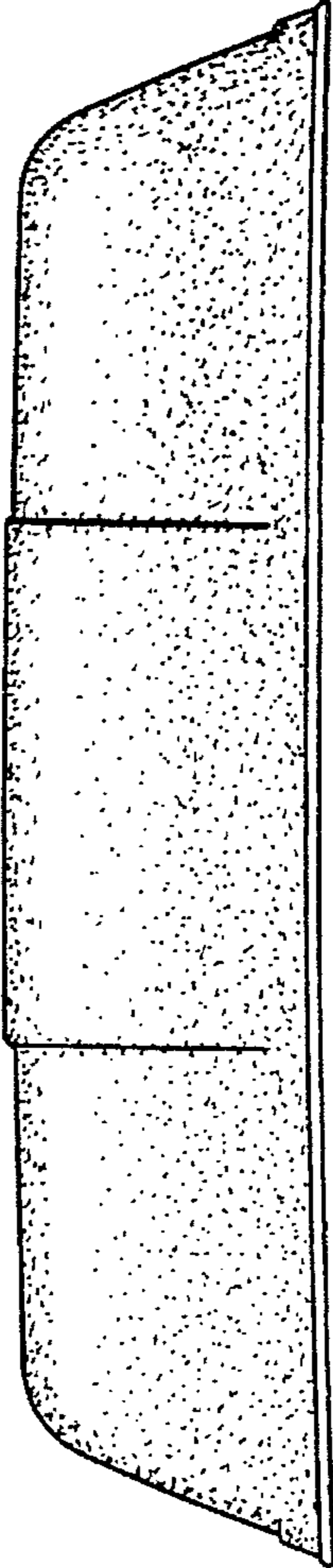


FIG. 5.

