



US00D368060S

# United States Patent [19]

Perlman

[11] Patent Number: **Des. 368,060**

[45] Date of Patent: **\*\*Mar. 19, 1996**

[54] **GARAGE WALL MOUNTED CAR DOOR PROTECTOR**

D. 342,708 12/1993 Stoeck ..... D12/167  
D. 358,358 5/1995 Burroughs ..... D12/167

[76] Inventor: **Richard I. Perlman**, 4694 Alvarado Canyon Rd., Ste. A, San Diego, Calif. 92120

*Primary Examiner*—Alan P. Douglas  
*Assistant Examiner*—S. Snapp

[\*\*] Term: **14 Years**

[57] **CLAIM**

The ornamental design for a garage wall mounted car door protector, as shown and described.

[21] Appl. No.: **37,290**

### DESCRIPTION

[22] Filed: **Apr. 10, 1995**

[52] U.S. Cl. .... **D12/167**

[58] Field of Search ..... D12/167, 172;  
293/102, 108, 120, 127, 128, 149, 154,  
190

FIG. 1 is a perspective view of my ornamental design for a garage wall mounted car door protector;  
FIG. 2 is a perspective view from the other side of my design from FIG. 1;  
FIG. 3 is a front elevation view of my design;  
FIG. 4 is a rear elevation view of my ornamental design;  
FIG. 5 is an end elevation view of my design as seen from the right end of FIG. 1, also the left end elevation view is a mirror image thereof; and,  
FIG. 6 is a section taken through FIG. 4 at line 6—6 to clarify the contours of the rear surface of my design.

### [56] References Cited

#### U.S. PATENT DOCUMENTS

D. 328,884 8/1992 Schaller ..... D12/167  
D. 335,271 5/1993 Davis ..... D12/167  
D. 338,861 8/1993 Lataster ..... D12/167  
D. 339,784 9/1993 Reid et al. .... D12/167

**1 Claim, 1 Drawing Sheet**

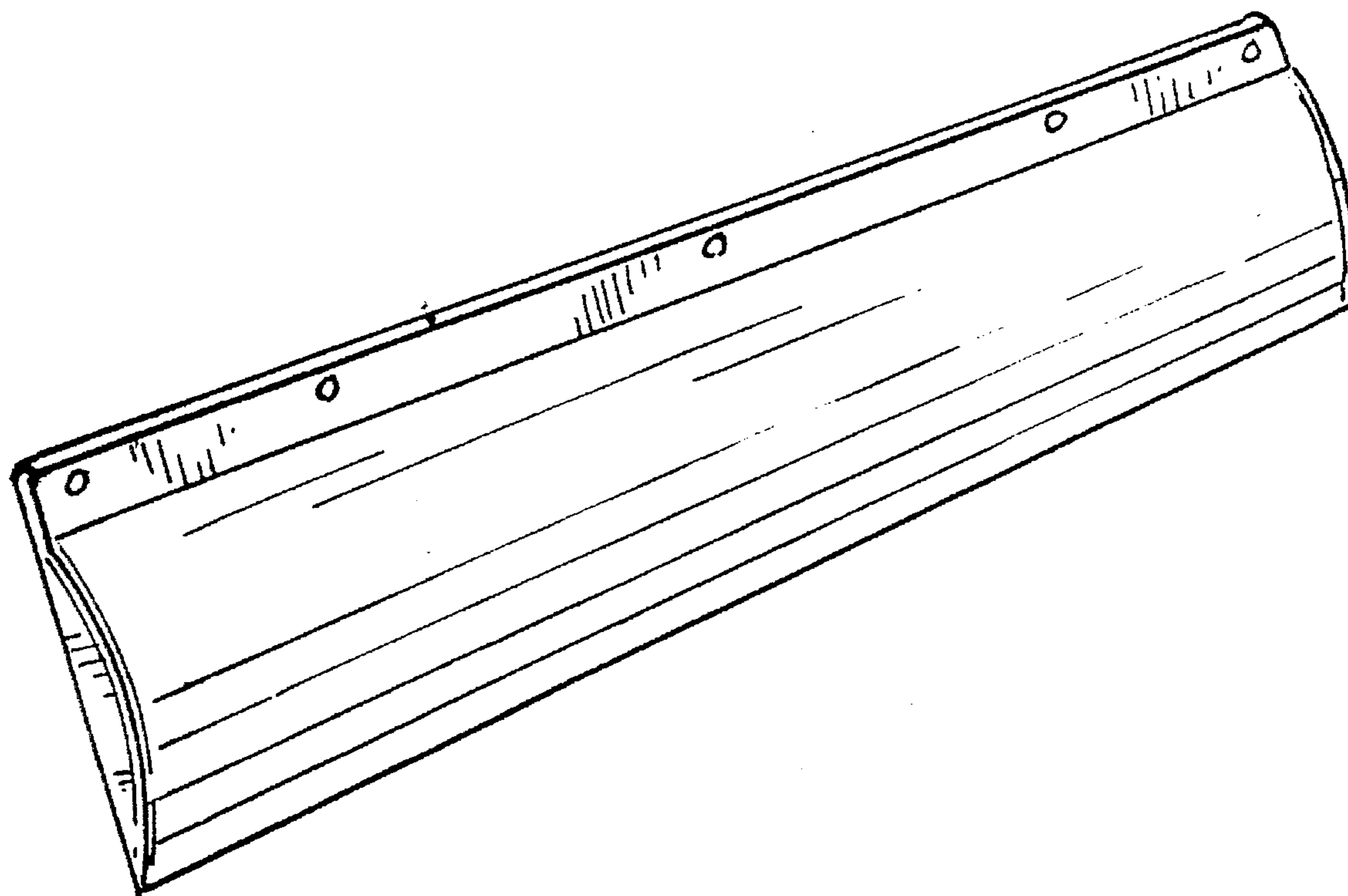


Fig. 1

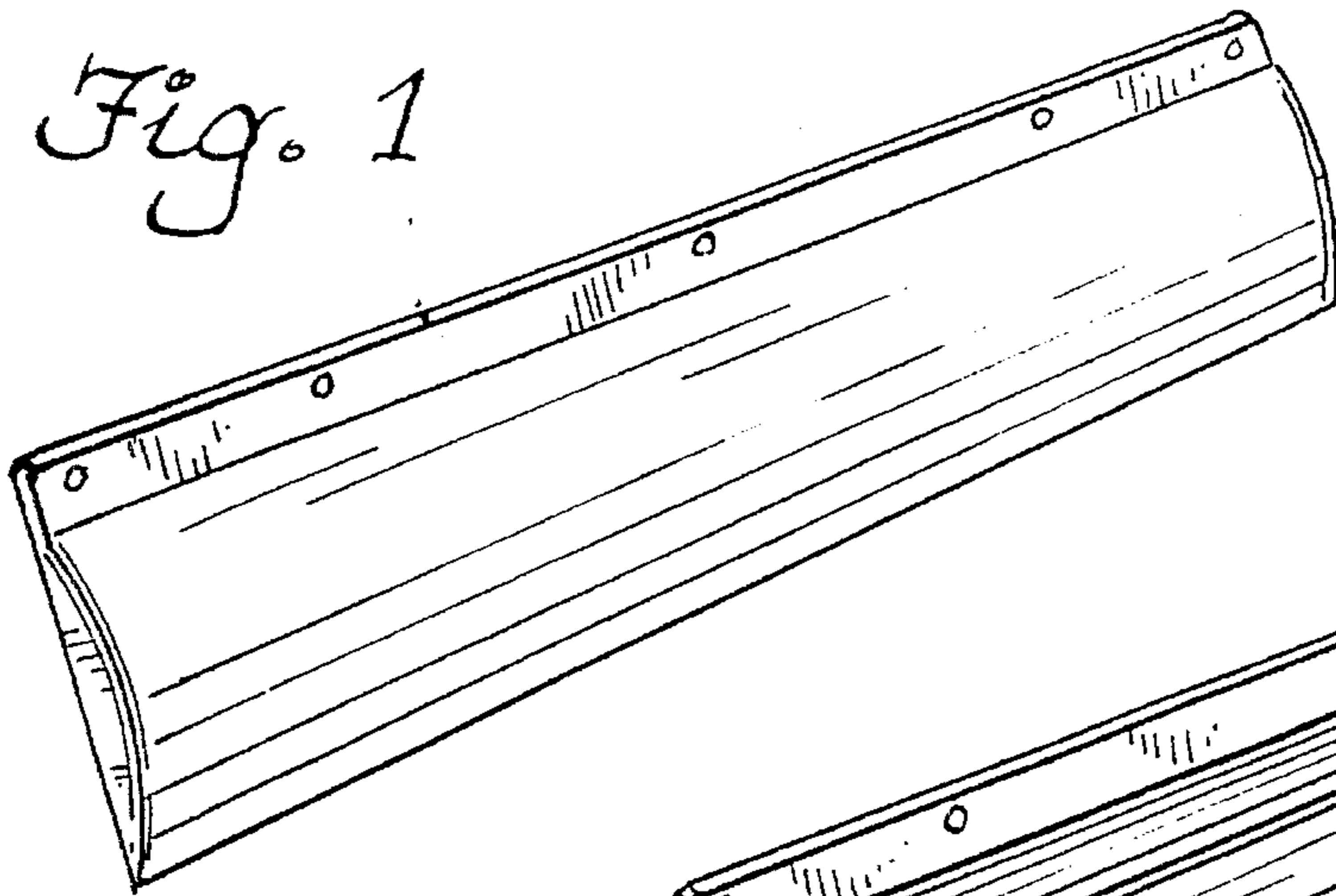


Fig. 2

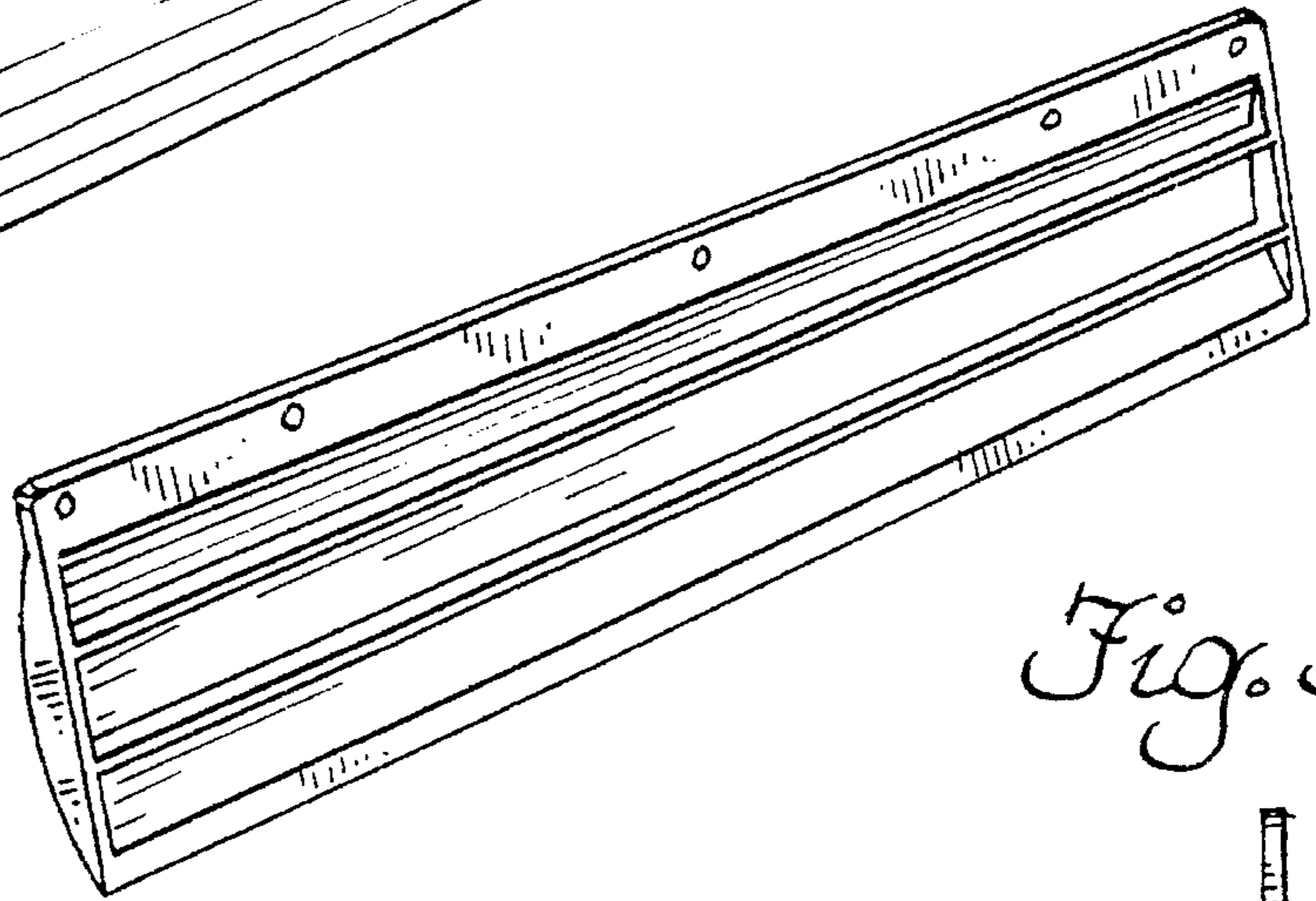


Fig. 3

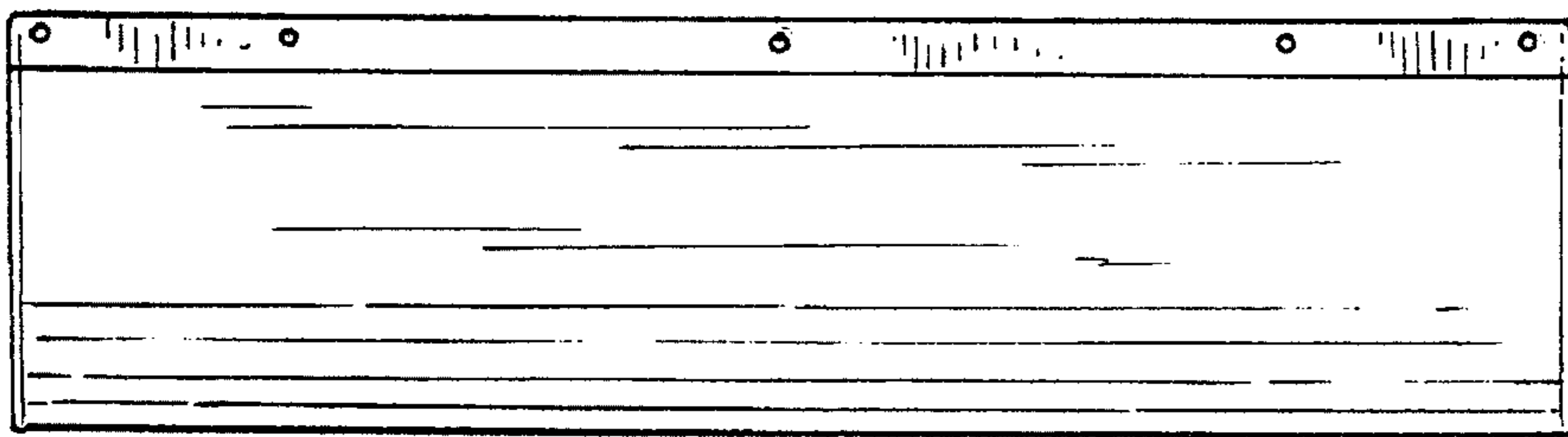


Fig. 5

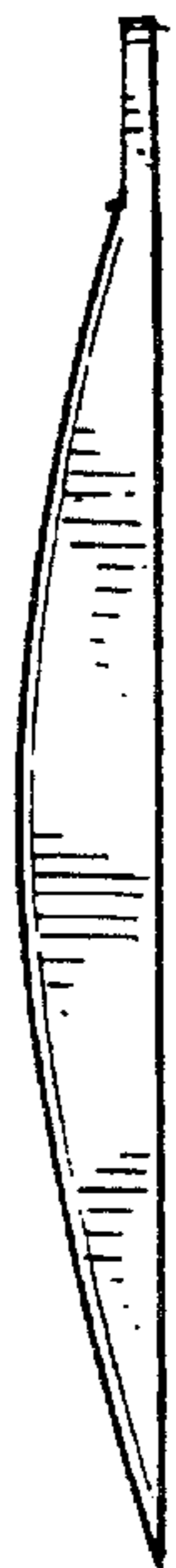
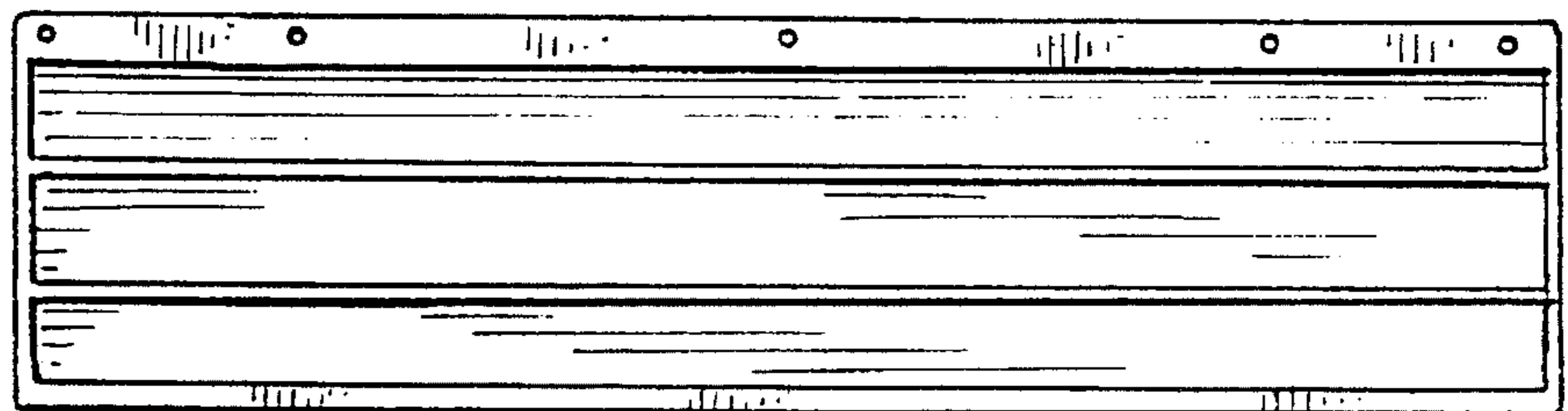


Fig. 6



Fig. 4



← 6

← 6