



US00D368056S

United States Patent [19]

[11] Patent Number: **Des. 368,056**

Morishita et al.

[45] Date of Patent: ****Mar. 19, 1996**

[54] **AUTOMOBILE TIRE**

D. 344,918	3/1994	Graas	D12/147
D. 349,672	8/1994	Seimiya et al.	D12/147
D. 349,673	8/1994	Seimiya et al.	D12/147
5,295,087	3/1994	Yoshida et al.	152/209 R

[75] Inventors: **Hisaya Morishita; Hirohisa Hazama; Toshihiko Suzuki**, all of Hiratsuka; **Izumi Kuramochi; Hiroshi Tokizaki**, both of Tokyo, all of Japan

Primary Examiner—James M. Gandy
Attorney, Agent, or Firm—Nikaido Marmelstein Murray & Oram

[73] Assignee: **The Yokohama Rubber Co., Ltd.**, Tokyo, Japan

[57] CLAIM

[**] Term: **14 Years**

The ornamental design for an automobile tire, as shown and described.

[21] Appl. No.: **23,559**

DESCRIPTION

[22] Filed: **May 26, 1994**

FIG. 1 is a perspective view of the automobile tire, showing our new design;

[30] Foreign Application Priority Data

Dec. 7, 1993 [JP] Japan 5-36878

FIG. 2 is a front view of the automobile tire, the top plan view and bottom plan view appearing the same as this front view;

[52] U.S. Cl. **D12/147**

FIG. 3 is a rear view of the automobile tire;

[58] Field of Search D12/145-148;

FIG. 4 is a left-side view of the automobile tire;

152/209 R, 209 D

FIG. 5 is a right-side view of the automobile tire;

[56] References Cited

U.S. PATENT DOCUMENTS

D. 316,532	4/1991	Tsuda et al.	D12/147
D. 332,933	2/1993	Tsuda et al.	D12/147

FIG. 6 is an enlarged fragmentary front view, showing the portion of X—X in FIG. 2; and,

FIG. 7 is a sectional view, taken on line 7—7 of FIG. 6.

1 Claim, 5 Drawing Sheets

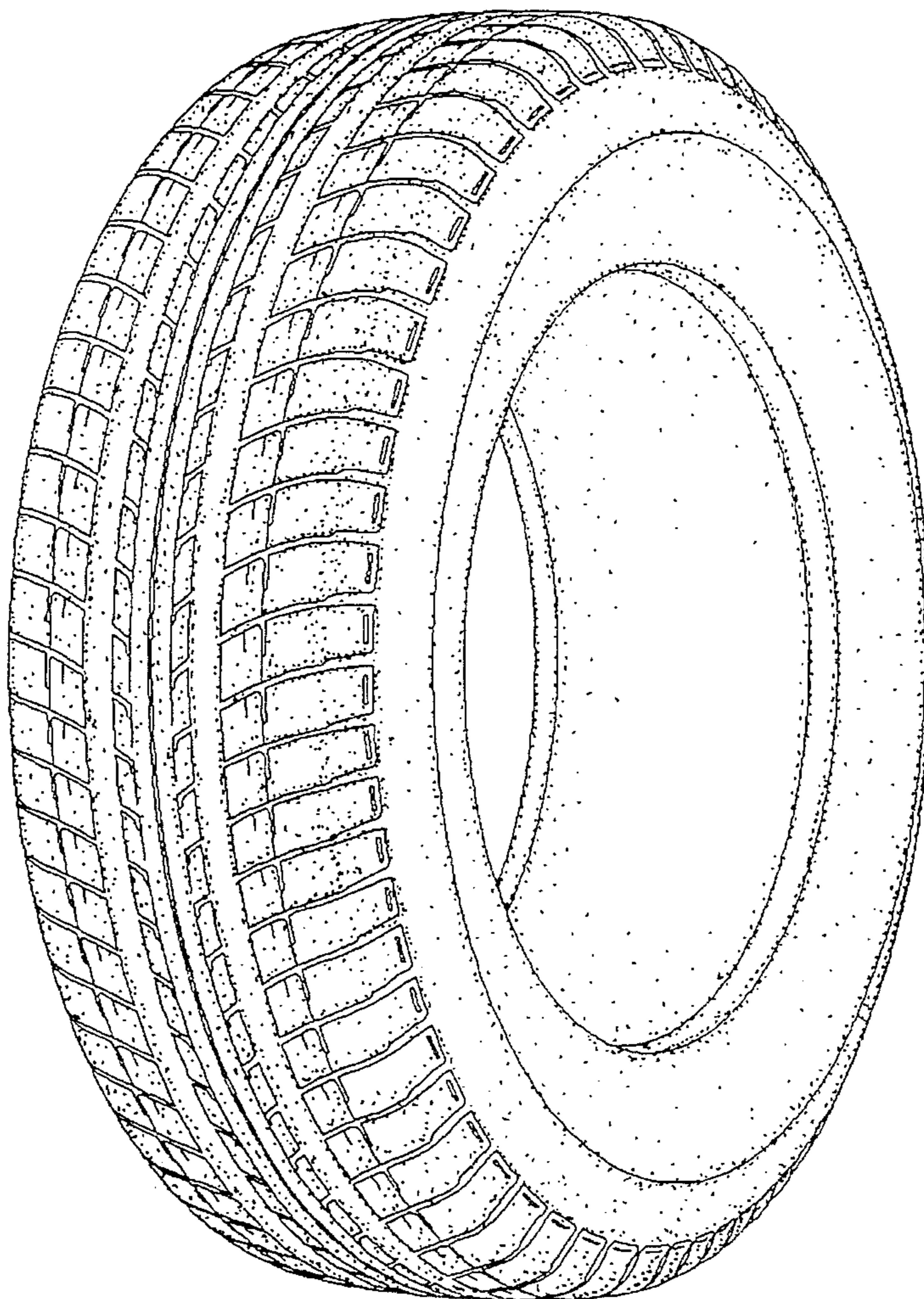


FIG. 1

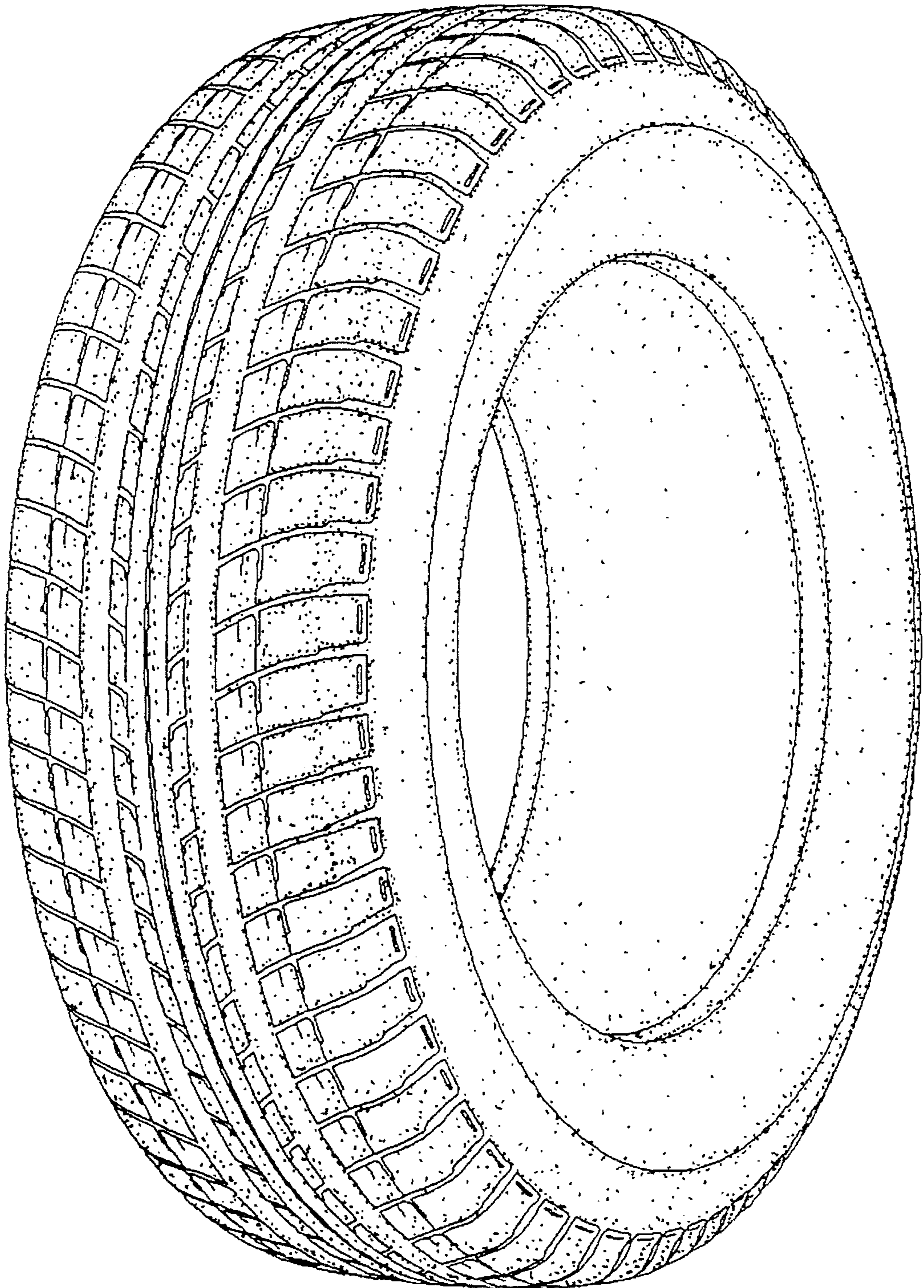


FIG. 2

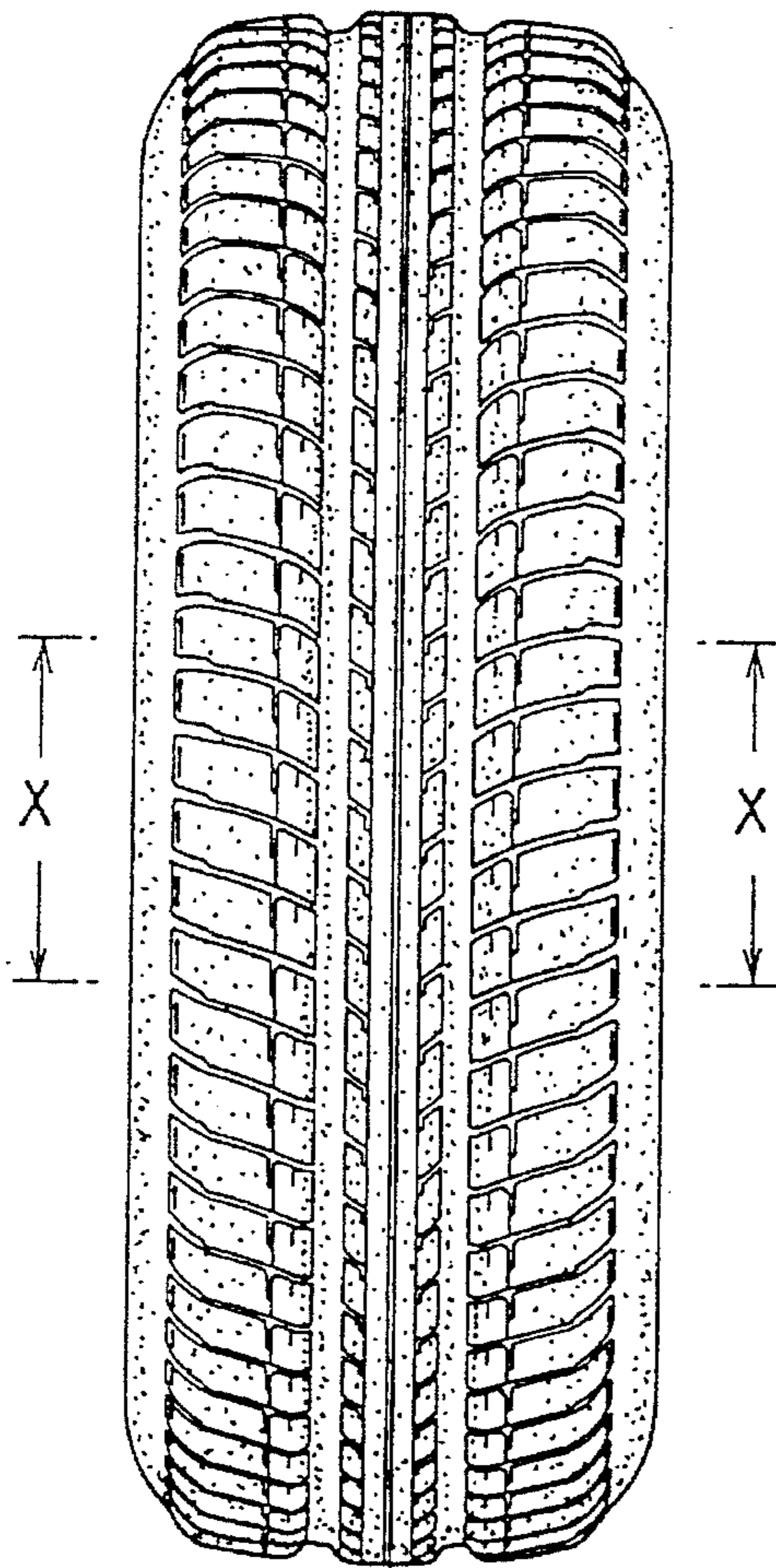


FIG. 3

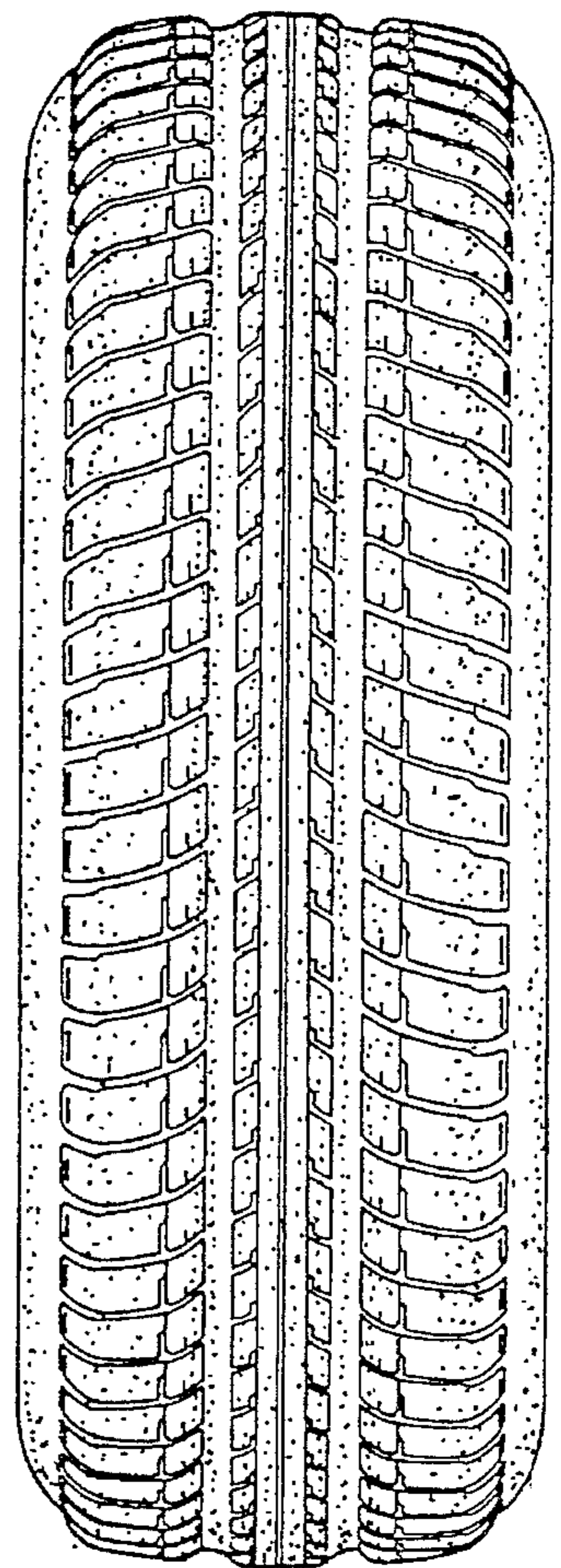


FIG. 4

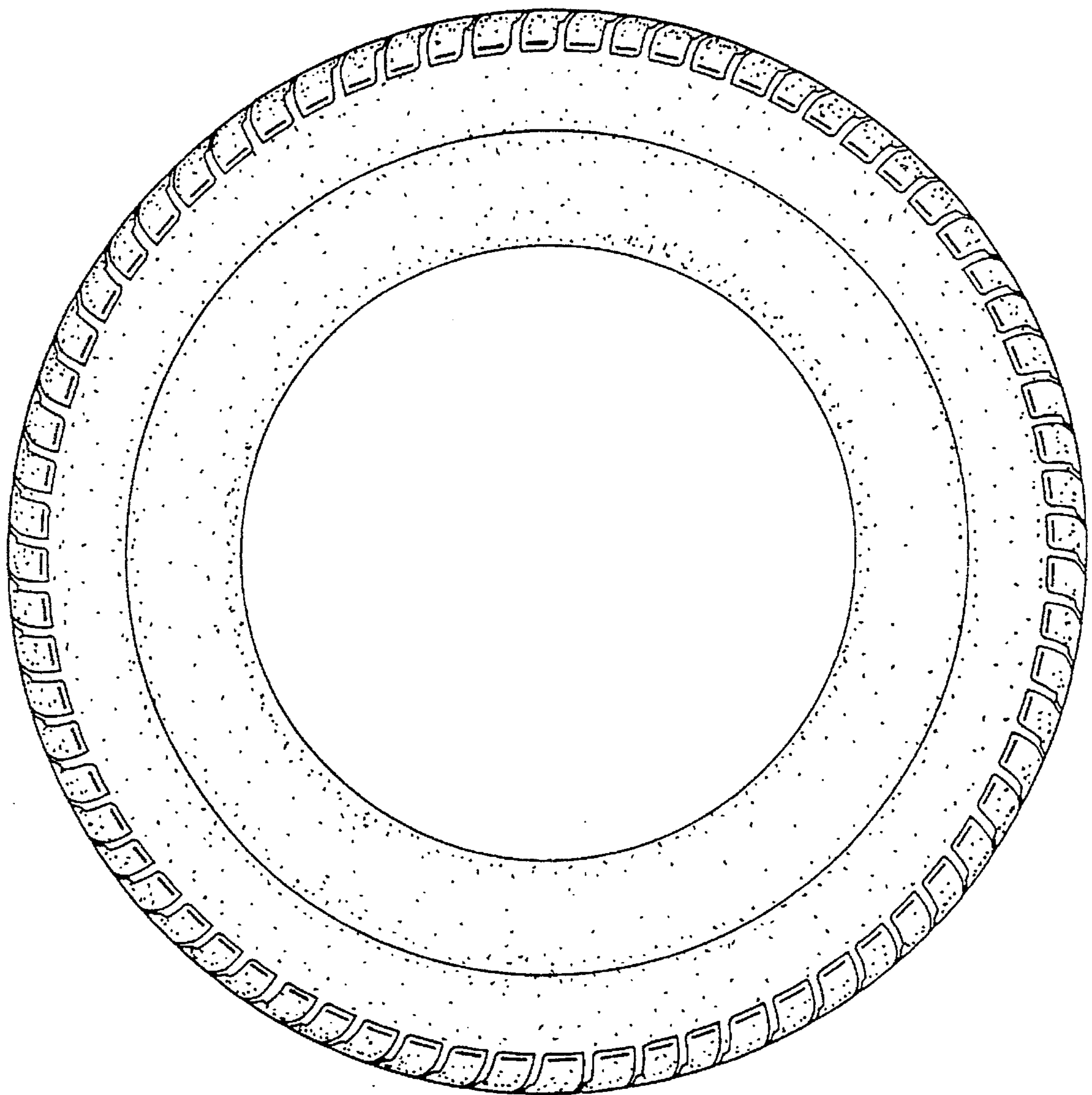


FIG. 5

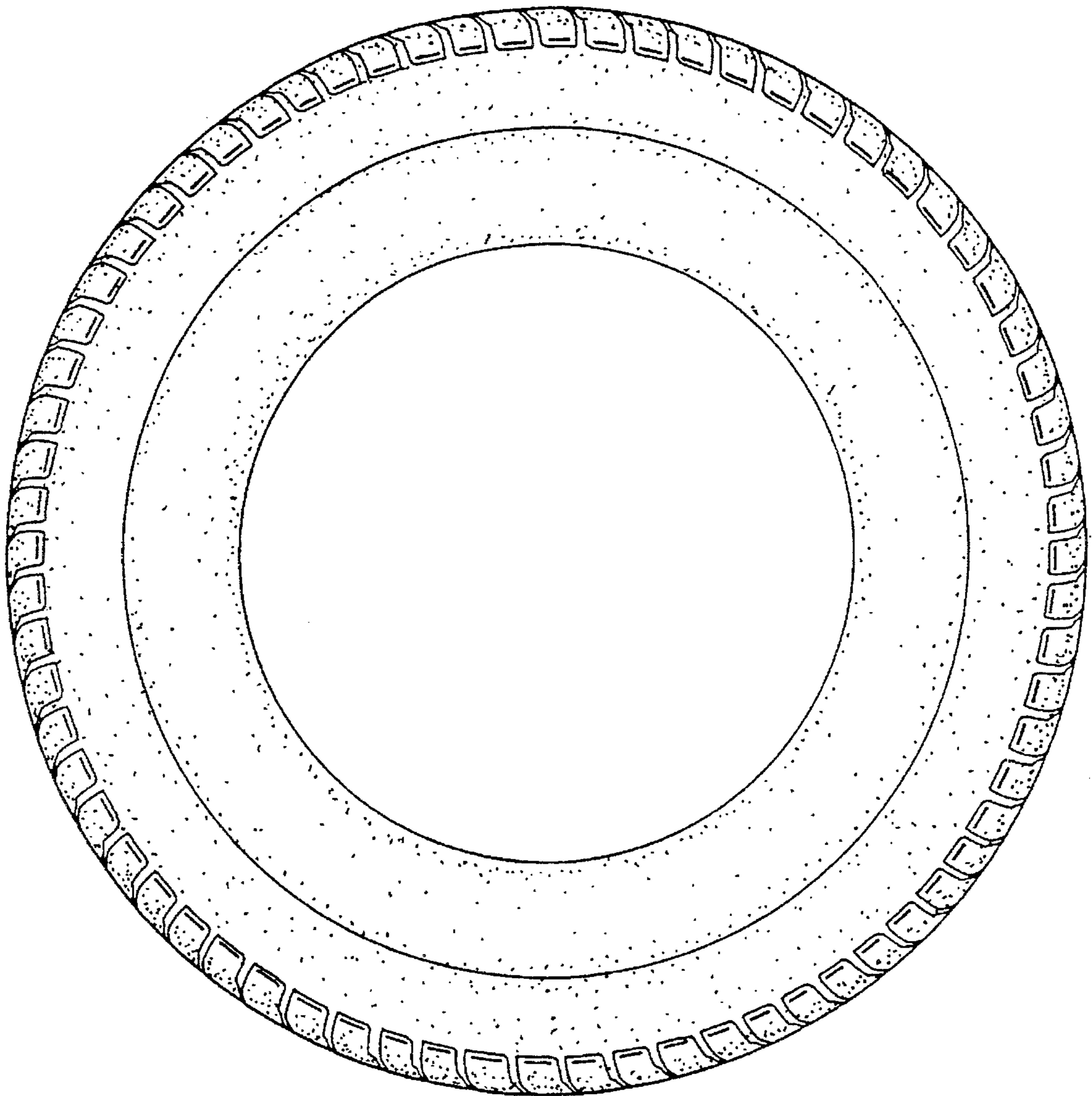


FIG. 6

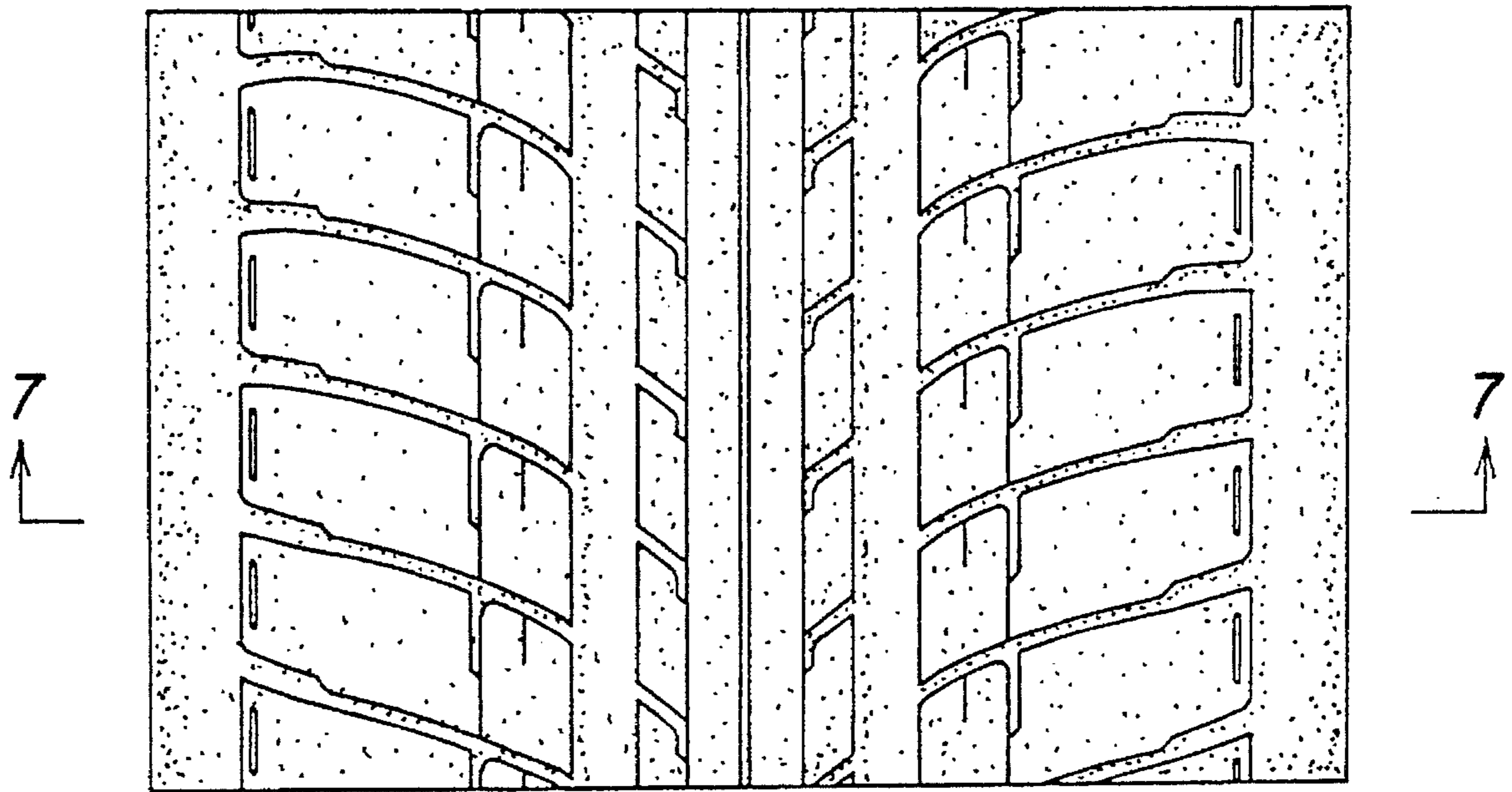


FIG. 7

