



US00D368053S

United States Patent [19]
Gallagher

[11] **Patent Number: Des. 368,053**

[45] **Date of Patent: **Mar. 19, 1996**

[54] **BOAT TRAILER**

5,292,145 3/1994 Ostrand 280/414.1
5,429,383 7/1995 Reed 414/529 X

[76] Inventor: **Daniel M. Gallagher**, 10351 Highway
301 South, Dade City, Fla. 33525

Primary Examiner—Alan P. Douglas
Assistant Examiner—Cathron B. Matta
Attorney, Agent, or Firm—Donald R. Bahr

[**] Term: **14 Years**

[21] Appl. No.: **35,757**

[57] **CLAIM**

[22] Filed: **Mar. 6, 1995**

The ornamental design for a boat trailer, as shown and described.

[52] **U.S. Cl.** **D12/101**

[58] **Field of Search** D12/101; 280/414.1–414.3,
280/482; 414/529

DESCRIPTION

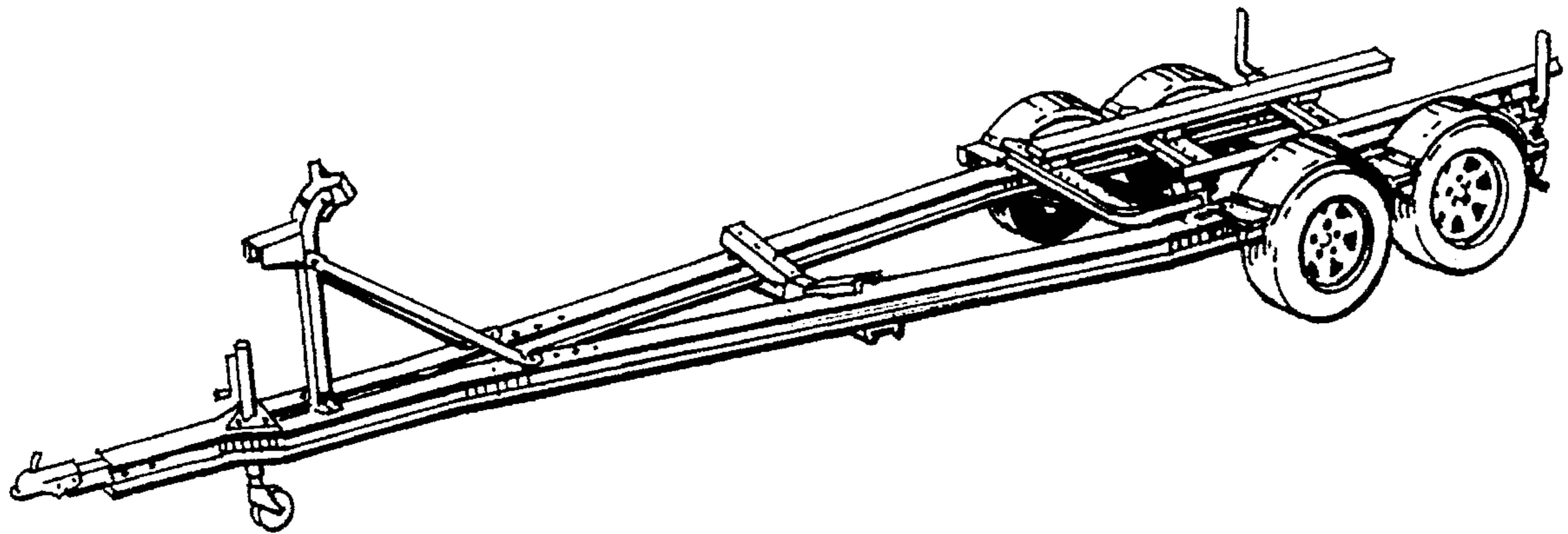
[56] **References Cited**

FIG. 1 is a perspective view of a boat trailer showing my new design;
FIG. 2 is a front view thereof;
FIG. 3 is a rear view thereof;
FIG. 4 is a top plan view thereof; and,
FIG. 5 is a right side view thereof.

U.S. PATENT DOCUMENTS

D. 267,559	1/1983	Wormser	D12/101	X
4,623,161	11/1986	Sprague	280/482	X
5,154,564	10/1992	Koch	D34/24	X
5,228,713	7/1993	Kovach	280/414.1	

1 Claim, 2 Drawing Sheets



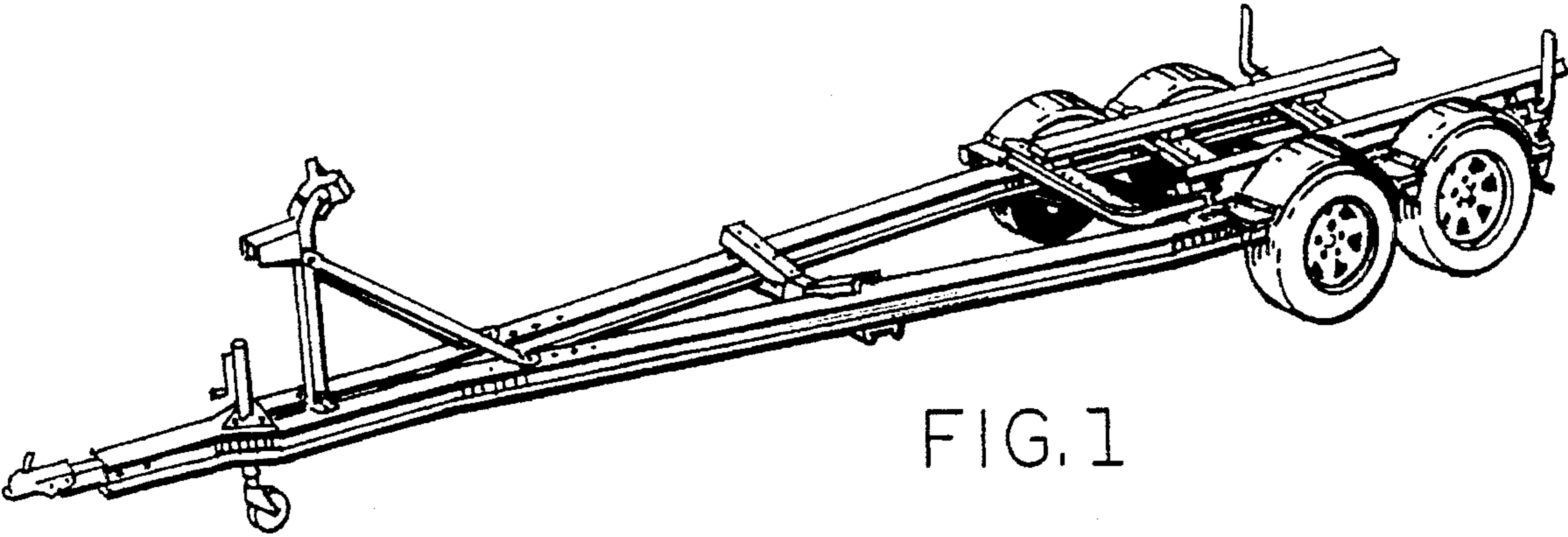


FIG. 1

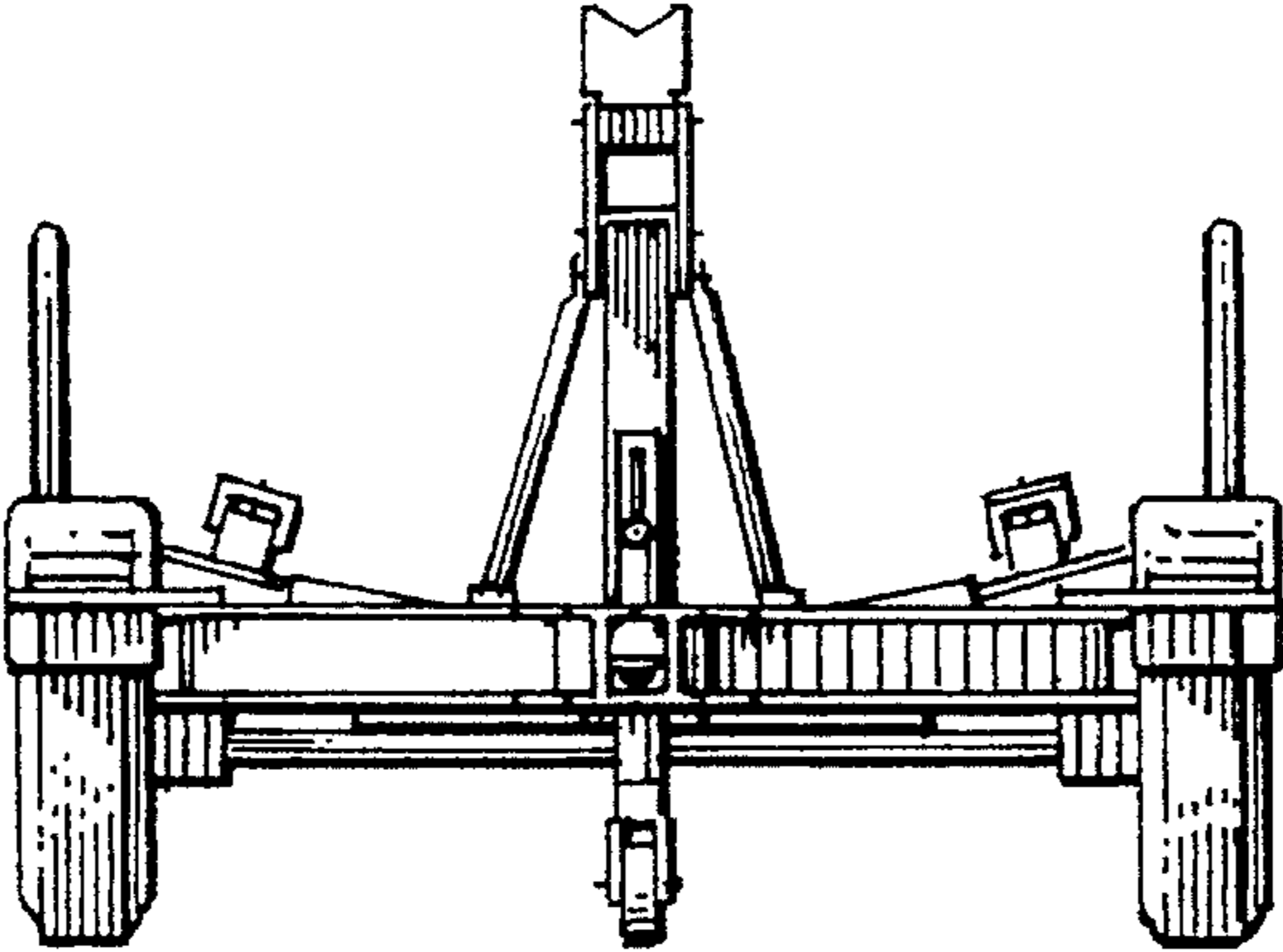


FIG. 2

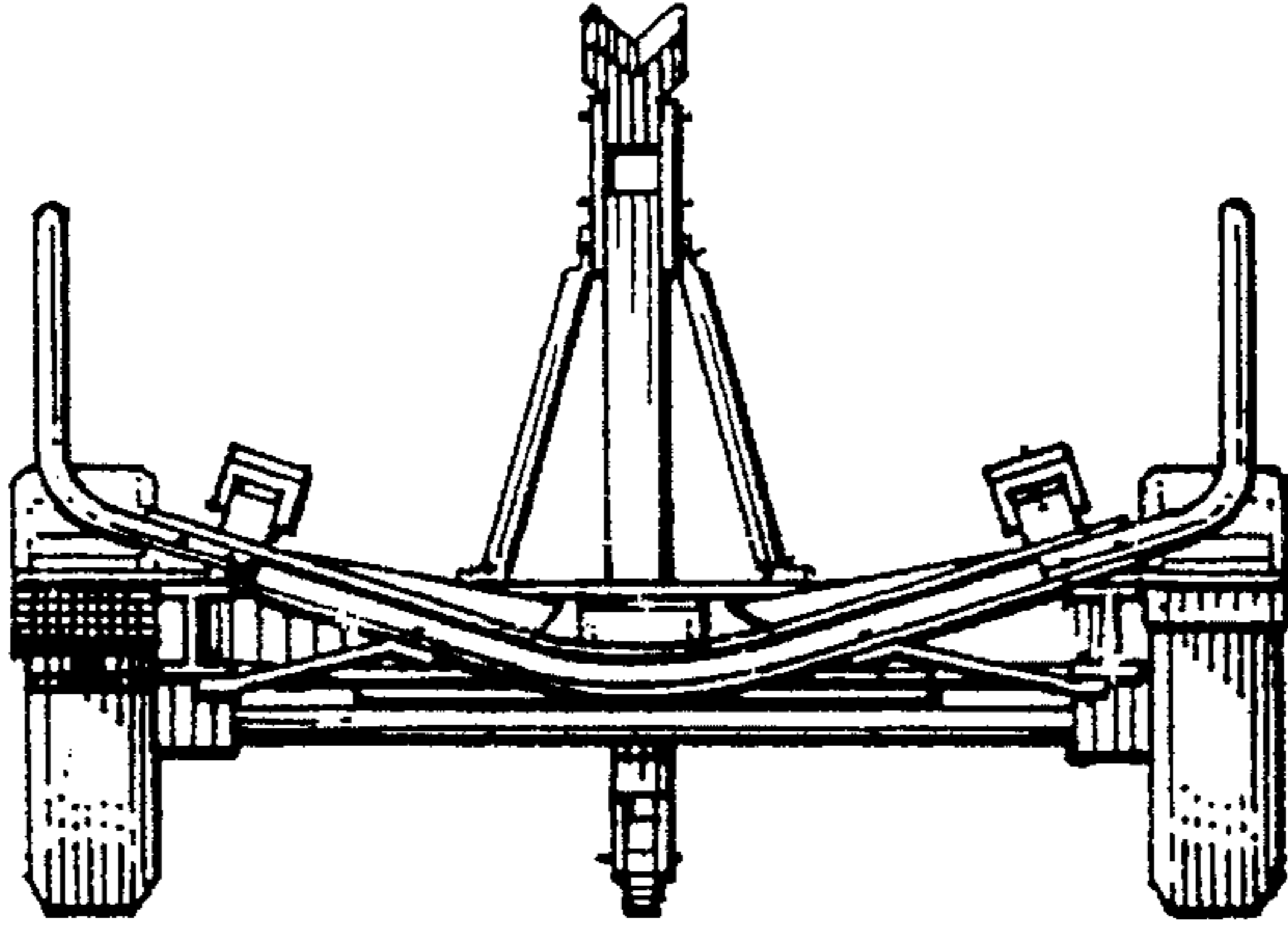


FIG. 3

