



US00D368041S

United States Patent [19]

[11] **Patent Number: Des. 368,041**

Skog

[45] **Date of Patent: **Mar. 19, 1996**

[54] **SMOKE DETECTOR**

OTHER PUBLICATIONS

[75] Inventor: **Jonas Skog**, Central, Hong Kong

Apollo Fire Detectors Limited "Fact File, Technical Information and Installation Instructions—Apollo Air Sampling Unit Part No. 53546-010," four pages, Publication Pt. No. 39116-904, Mar. 1985.

[73] Assignee: **Calectro AB**, Sweden

[**] Term: **14 Years**

Primary Examiner—A. Hugo Word
Assistant Examiner—Marcus Jackson
Attorney, Agent, or Firm—Harness, Dickey & Pierce

[21] Appl. No.: **22,486**

[22] Filed: **May 5, 1994**

[57] **CLAIM**

[30] **Foreign Application Priority Data**

The ornamental design for a smoke detector, as shown and described.

Nov. 26, 1993 [SE] Sweden 93 2652

[52] **U.S. Cl.** **D10/106**

[58] **Field of Search** D10/104, 106,
D10/116, 121; 340/540, 541, 545, 571,
572, 573, 627, 628, 629, 630

DESCRIPTION

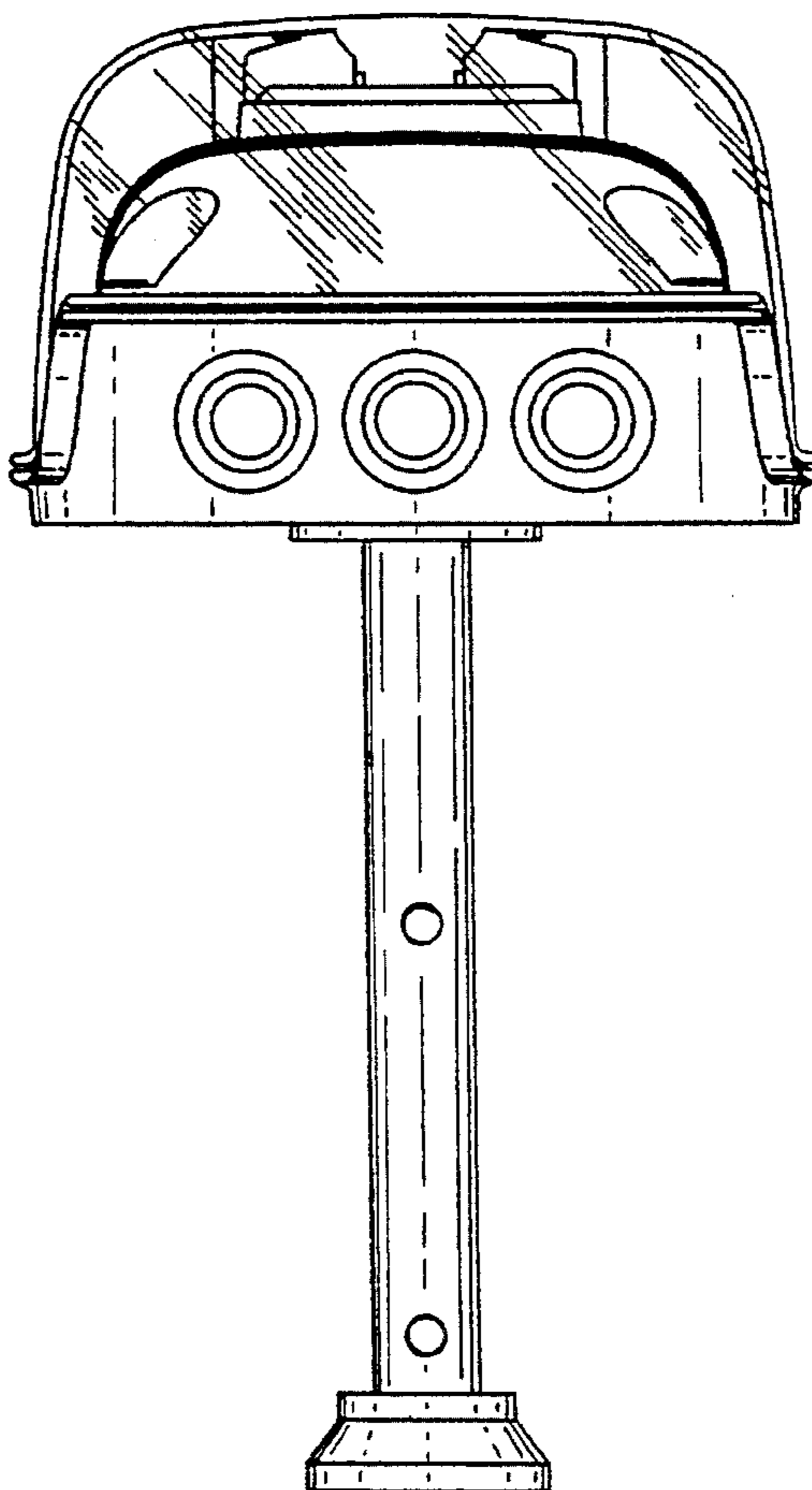
[56] **References Cited**

FIG. 1 is a front, top and left side perspective view of the smoke detector showing my new design;
FIG. 2 is a perspective view from bellow;
FIG. 3 is a side elevational view thereof;
FIG. 4 is an opposite side elevational view thereof;
FIG. 5 is a bottom plan view thereof;
FIG. 6 is a top plan view thereof;
FIG. 7 is a rear elevational view thereof; and,
FIG. 8 is a front elevational view thereof.

U.S. PATENT DOCUMENTS

D. 244,362	5/1977	Mayer	D10/106
D. 245,488	8/1977	Pappas et al.	D10/106
D. 248,283	6/1978	Kitto et al.	D10/106
D. 275,187	8/1984	Skarman	D10/106
D. 276,029	10/1984	Skarman	D10/106
D. 279,769	7/1985	Thornton, Jr. et al.	D10/106
D. 283,407	4/1986	Fenne	D10/106

1 Claim, 8 Drawing Sheets



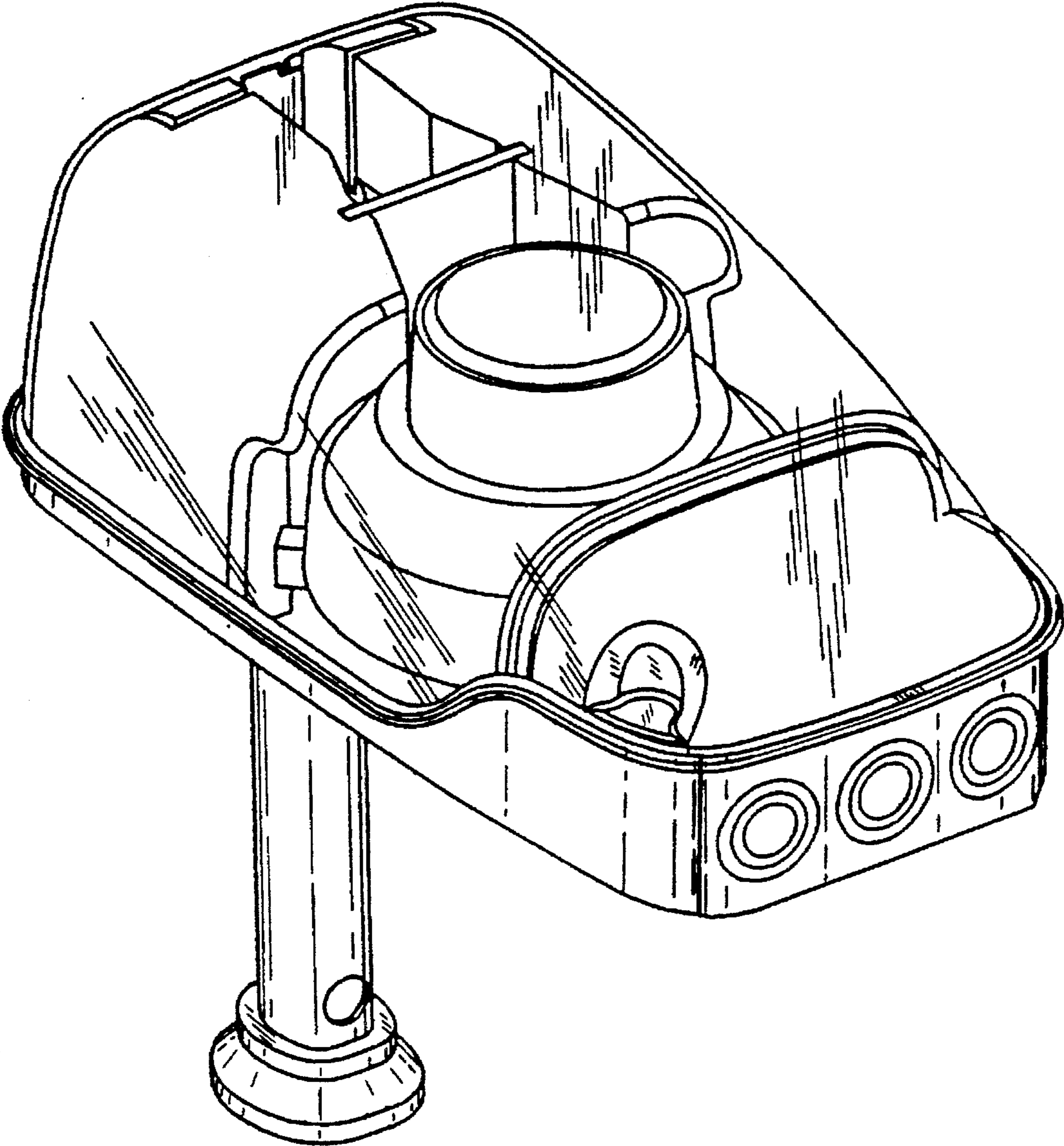


Fig. 1

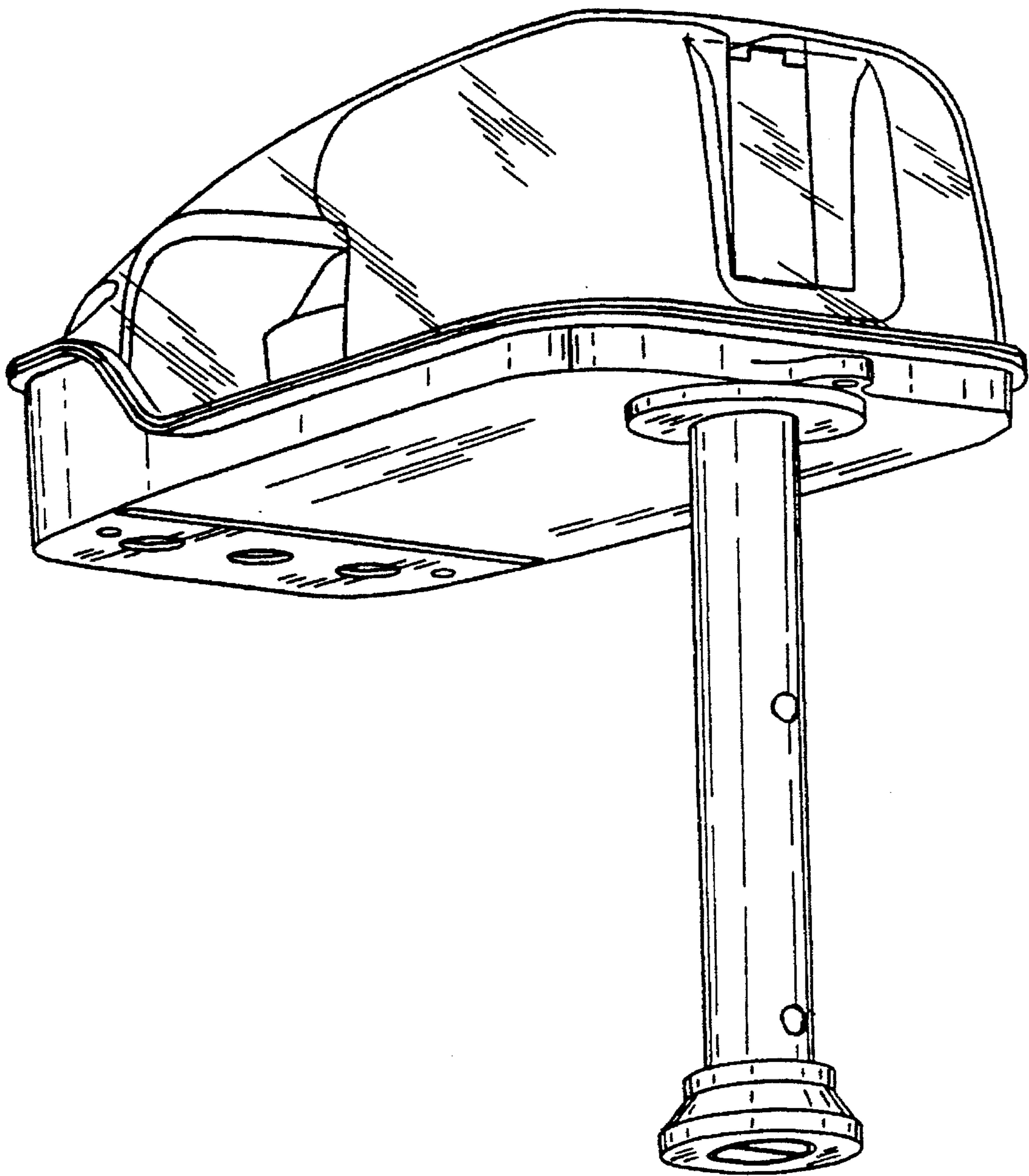


Fig. 2

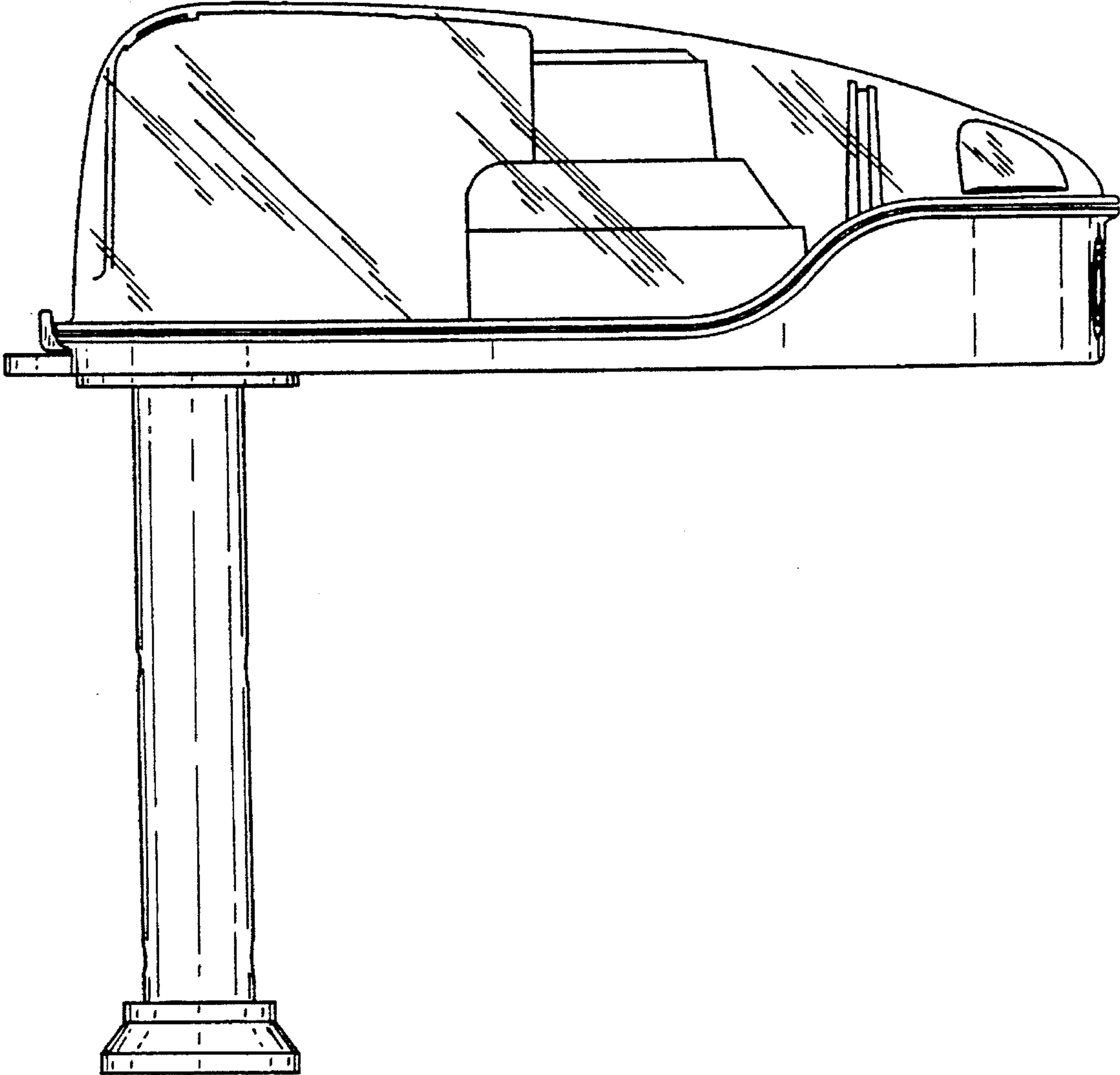


Fig. 3

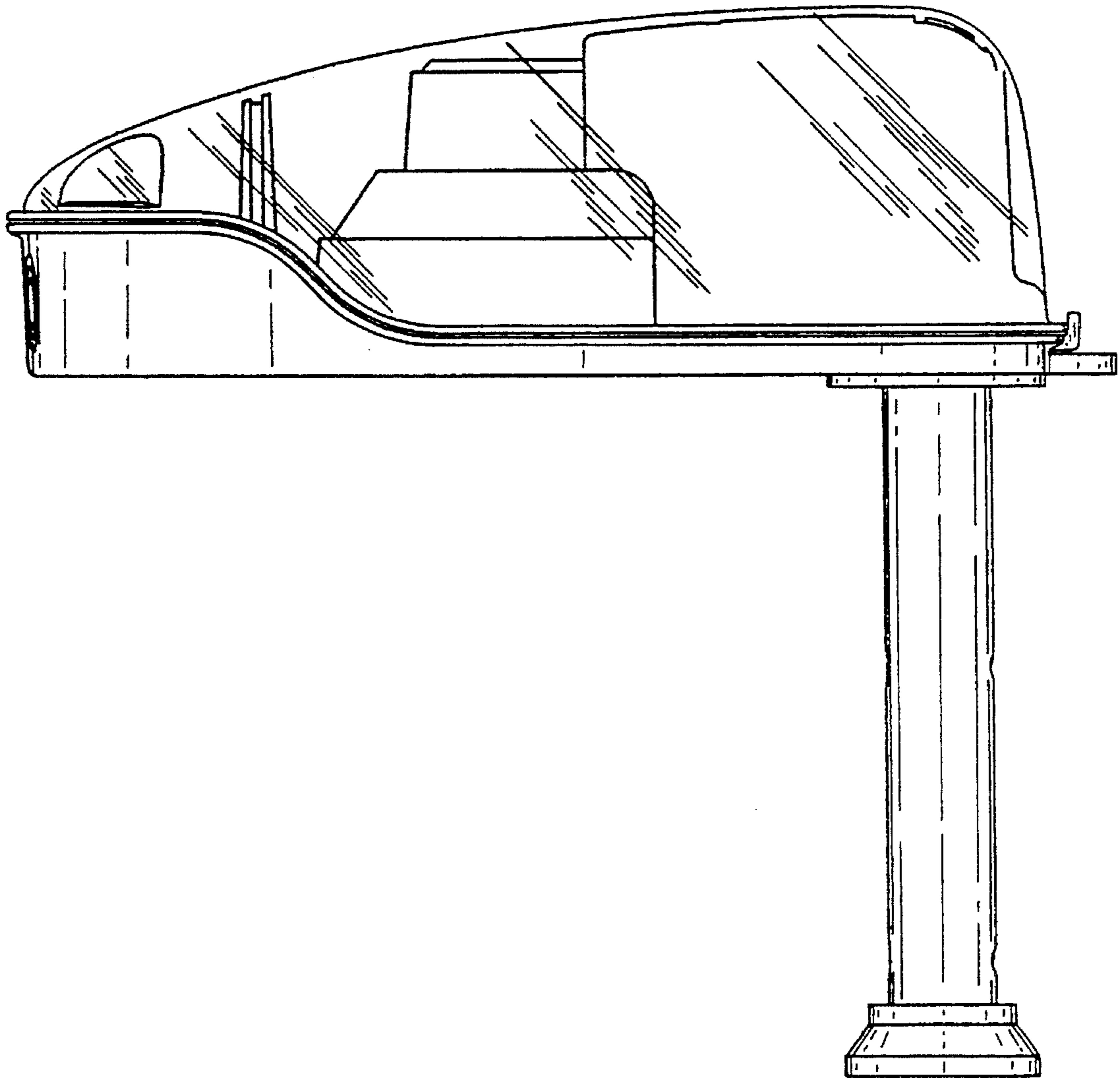


Fig. 4

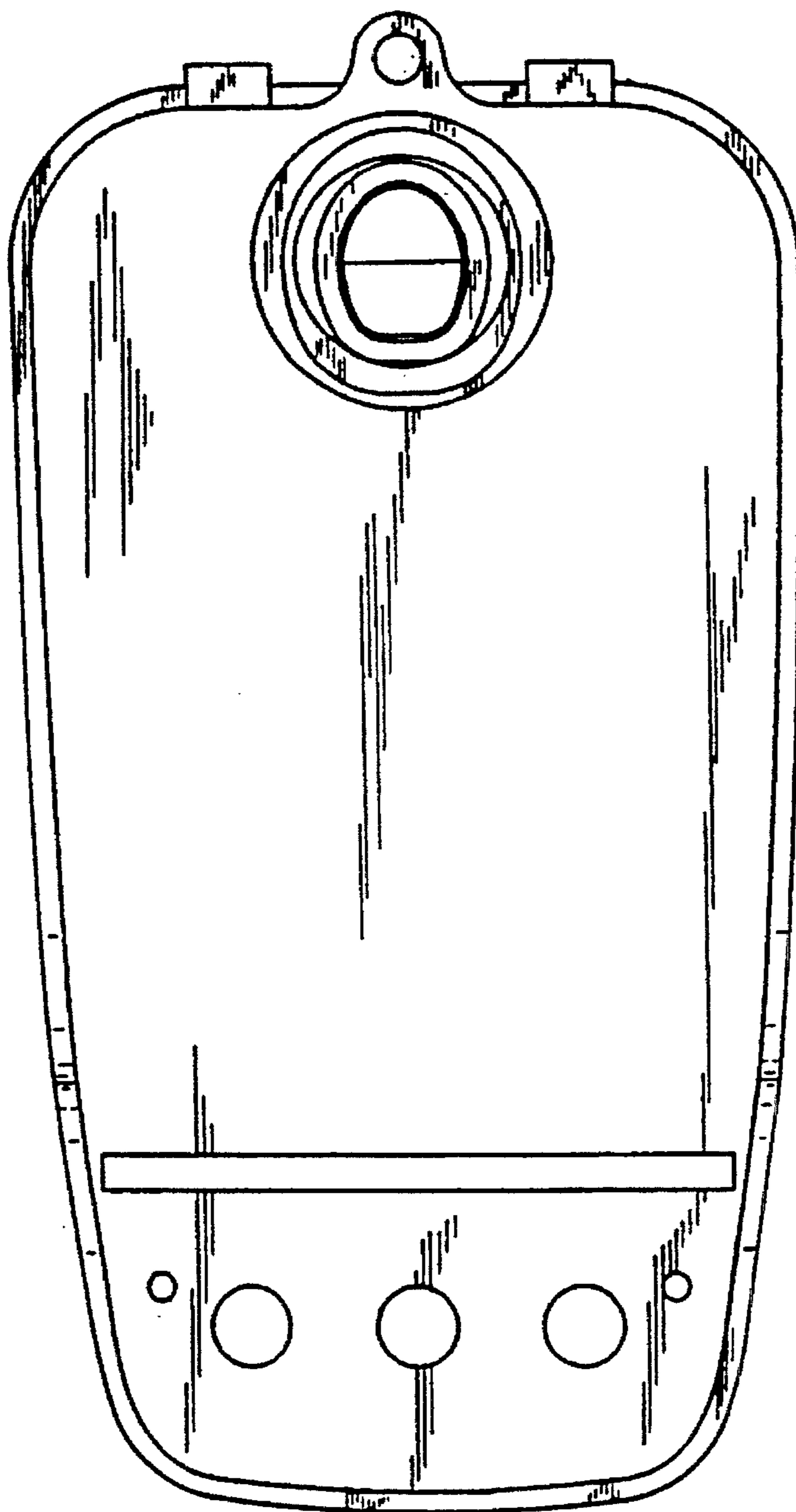


Fig. 5

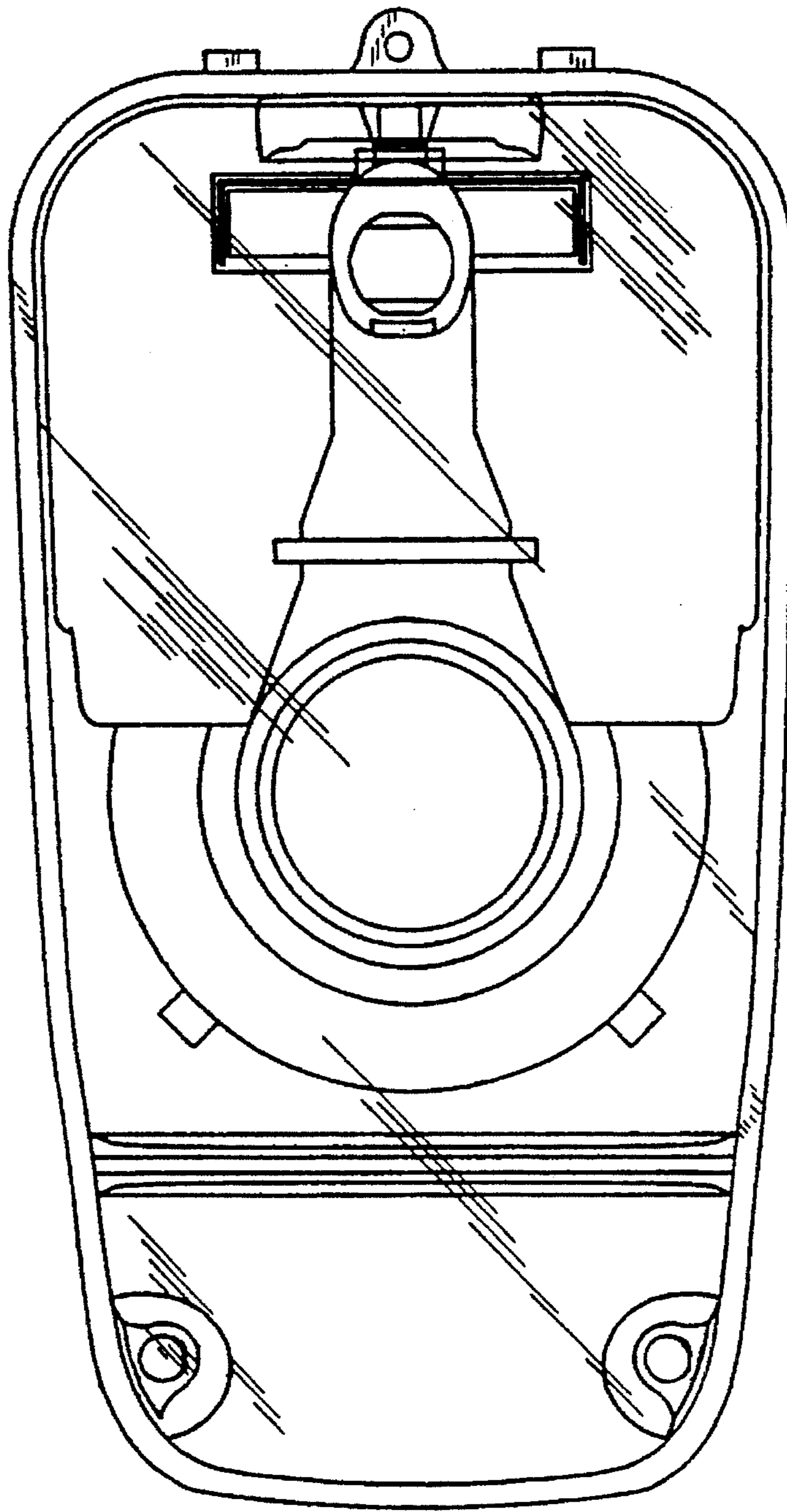


Fig. 6

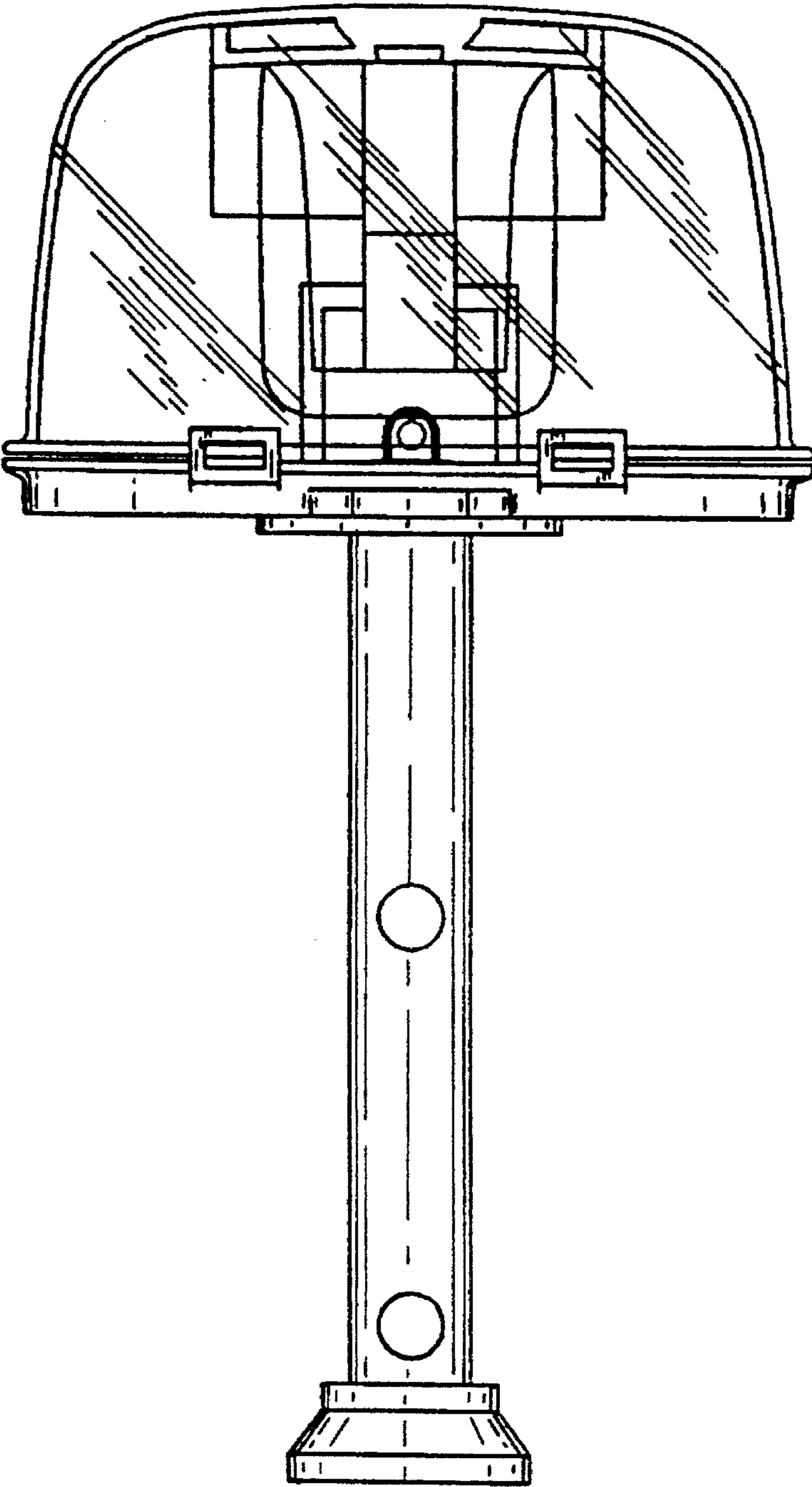


Fig. 7

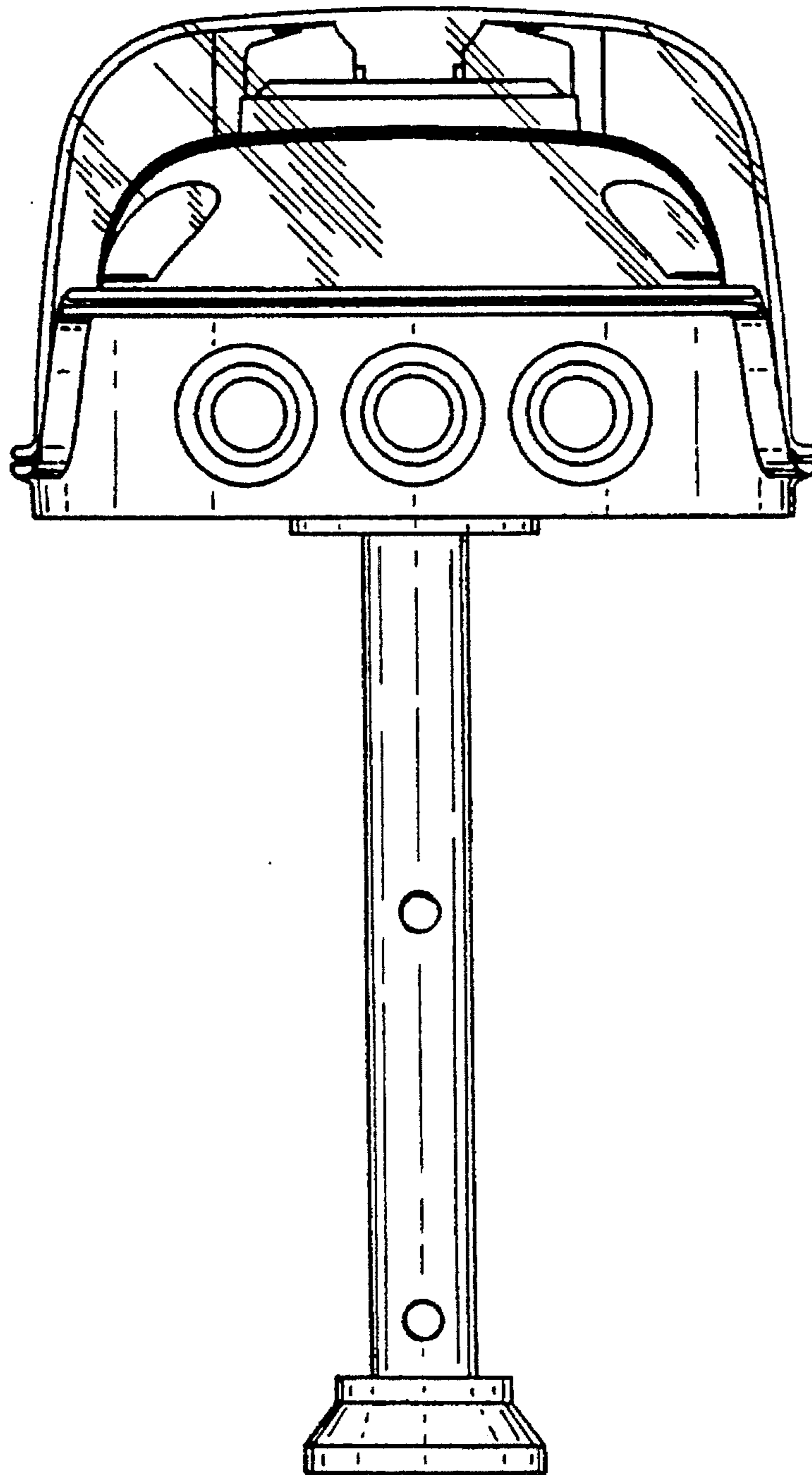


Fig. 8