



US00D368038S

United States Patent [19] Velazquez

[11] **Patent Number:** **Des. 368,038**
[45] **Date of Patent:** ****Mar. 19, 1996**

[54] HAZARD DETECTOR

[76] Inventor: **Juan M. Velazquez**, 2218 N. Le Claire Ave., Chicago, Ill. 60639

[**] Term: **14 Years**

[21] Appl. No.: **37,777**

[22] Filed: **Apr. 20, 1995**

[52] U.S. Cl. **D10/47; D10/106**

[58] Field of Search D10/46, 47, 106, D10/116; 73/23.3, 431; 116/206, DIG. 41; 128/200.26, 205.23, 207.14, 207.17, 719; 250/DIG. 2; 390/628-632; 422/83-98; 436/900

[56] **References Cited**

U.S. PATENT DOCUMENTS

D. 350,300	9/1994	Browning et al.	D10/106
3,655,975	4/1972	Evans	250/DIG. 2 X
4,999,503	3/1991	Andru	250/DIG. 2 X

OTHER PUBLICATIONS

The Journal Friday Home Report; Electronic Radon Detectors; Jun. 1989.

Primary Examiner—Antoine Duval Davis
Attorney, Agent, or Firm—Harold H. Dutton, Jr.

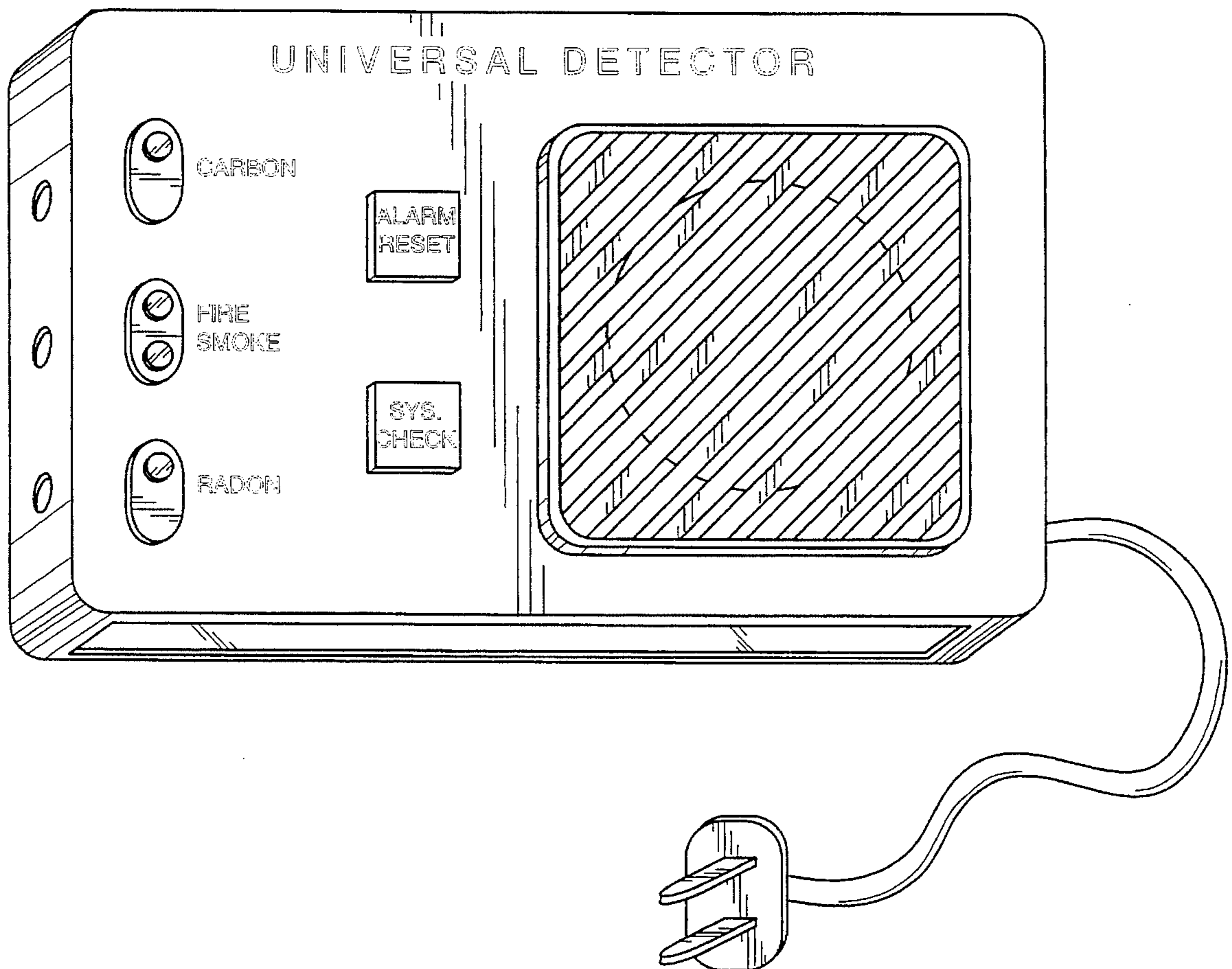
[57] **CLAIM**

The ornamental design for a hazard detector, as shown.

DESCRIPTION

FIG. 1 is a front perspective view of a hazard detector showing my new design;
FIG. 2 is a rear view thereof;
FIG. 3 is a left side view thereof;
FIG. 4 is a right side view thereof;
FIG. 5 is a top view thereof; and,
FIG. 6 is a bottom view thereof.

1 Claim, 4 Drawing Sheets



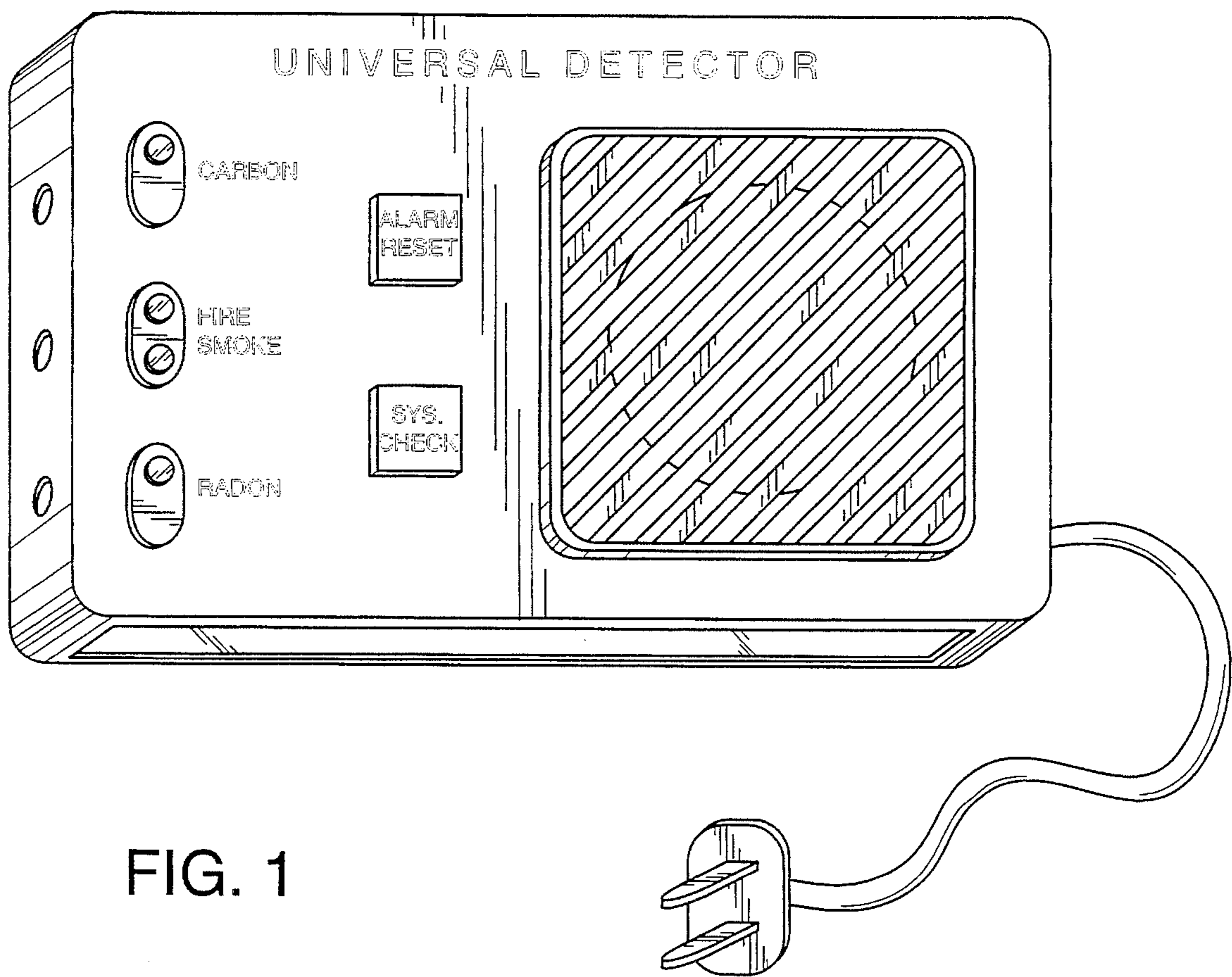


FIG. 1

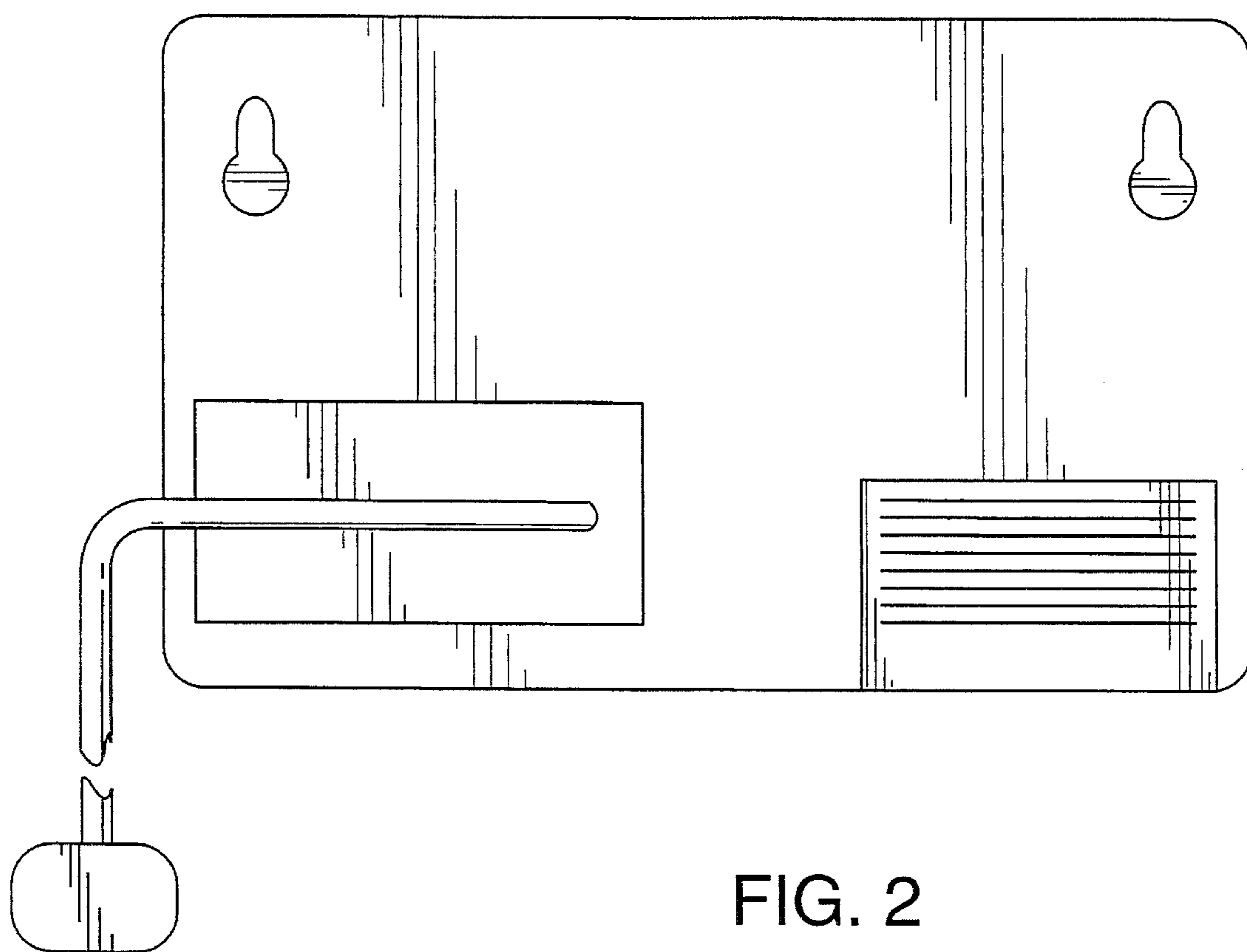


FIG. 2

FIG. 3

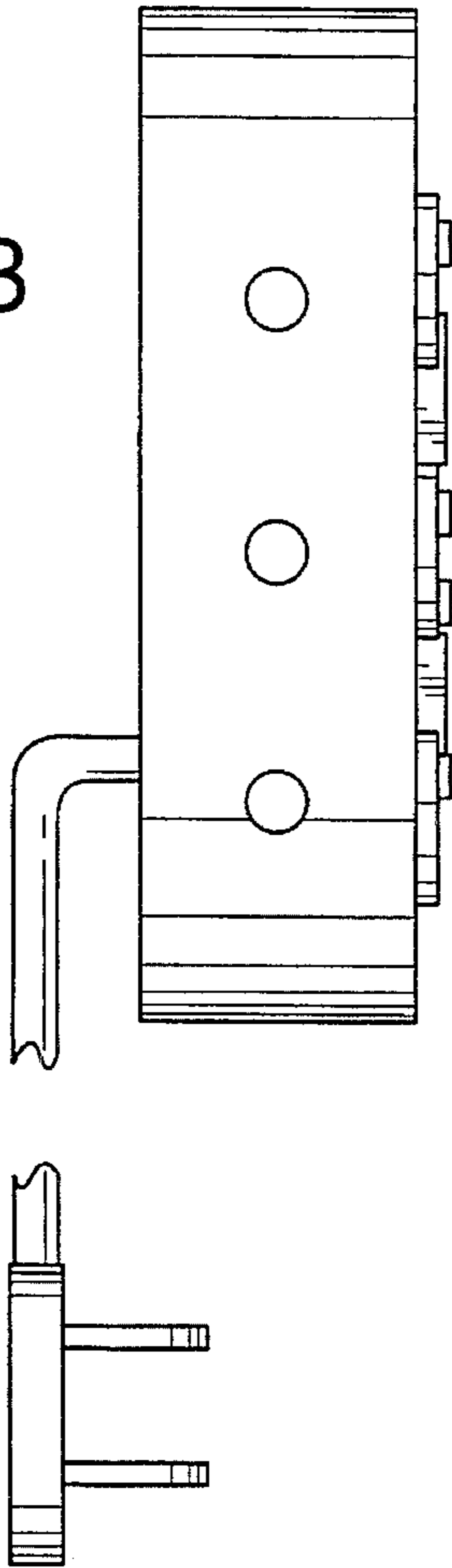
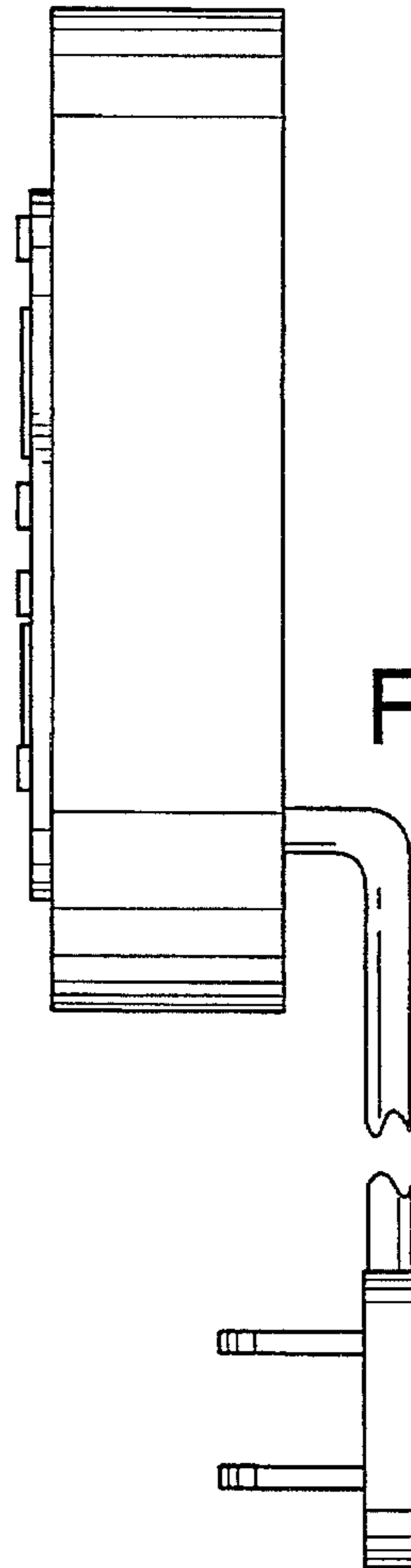


FIG. 4



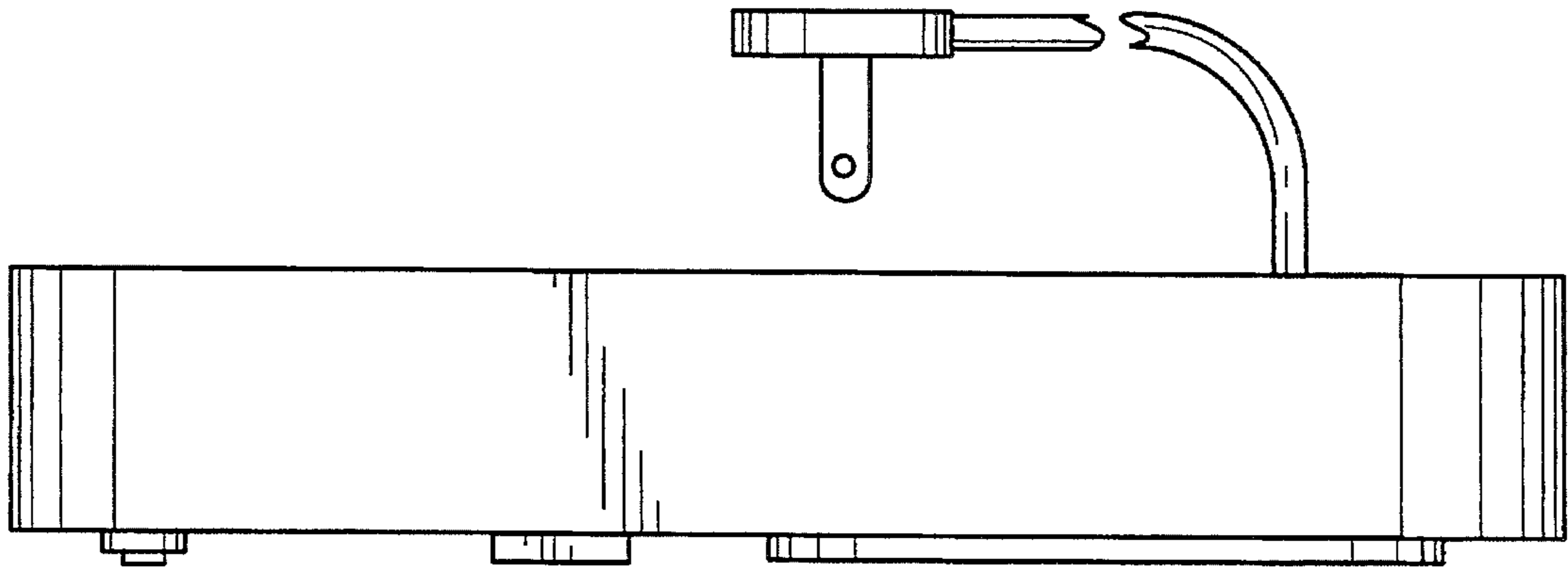


FIG. 5

FIG. 6

