



US00D368036S

United States Patent [19]

[11] Patent Number: **Des. 368,036**

Tronolone, Jr.

[45] Date of Patent: ****Mar. 19, 1996**

[54] **COMBINED CLOCK, CARD HOLDER, PEN HOLDER AND PAPERWEIGHT**

D. 350,773 9/1994 Lincourt D10/2 X
D. 352,069 11/1994 Doolin D19/82

[76] Inventor: **Daniel G. Tronolone, Jr.**, 800 Crosby Bldg., 170 Franklin St., Buffalo, N.Y. 14202

Primary Examiner—Martie Thompson
Attorney, Agent, or Firm—The Law Offices of Byron A. Bilicki

[**] Term: **14 Years**

[57] CLAIM

[21] Appl. No.: **36,373**

The ornamental design for a combined clock, card holder, pen holder and paperweight, as shown and described.

[22] Filed: **Mar. 20, 1995**

DESCRIPTION

[52] U.S. Cl. **D10/2; D10/6; D10/78; D10/84; D10/90; D10/82; D10/97**

[58] Field of Search D10/2, 6, 15; D19/65, D19/75, 78, 81-85, 86, 90, 96, 95, 97, 99, 100; 368/10; 211/69.1-69.9; D11/131, 157

FIG. 1 is a front perspective elevational view of a combined clock, card holder, pen holder and paperweight, showing my new design;

FIG. 2 is a rear perspective view thereof;

FIG. 3 is a top plan view thereof;

FIG. 4 is a bottom perspective view thereof;

FIG. 5 is a side elevational view thereof; and,

FIG. 6 is a side, front elevational view thereof.

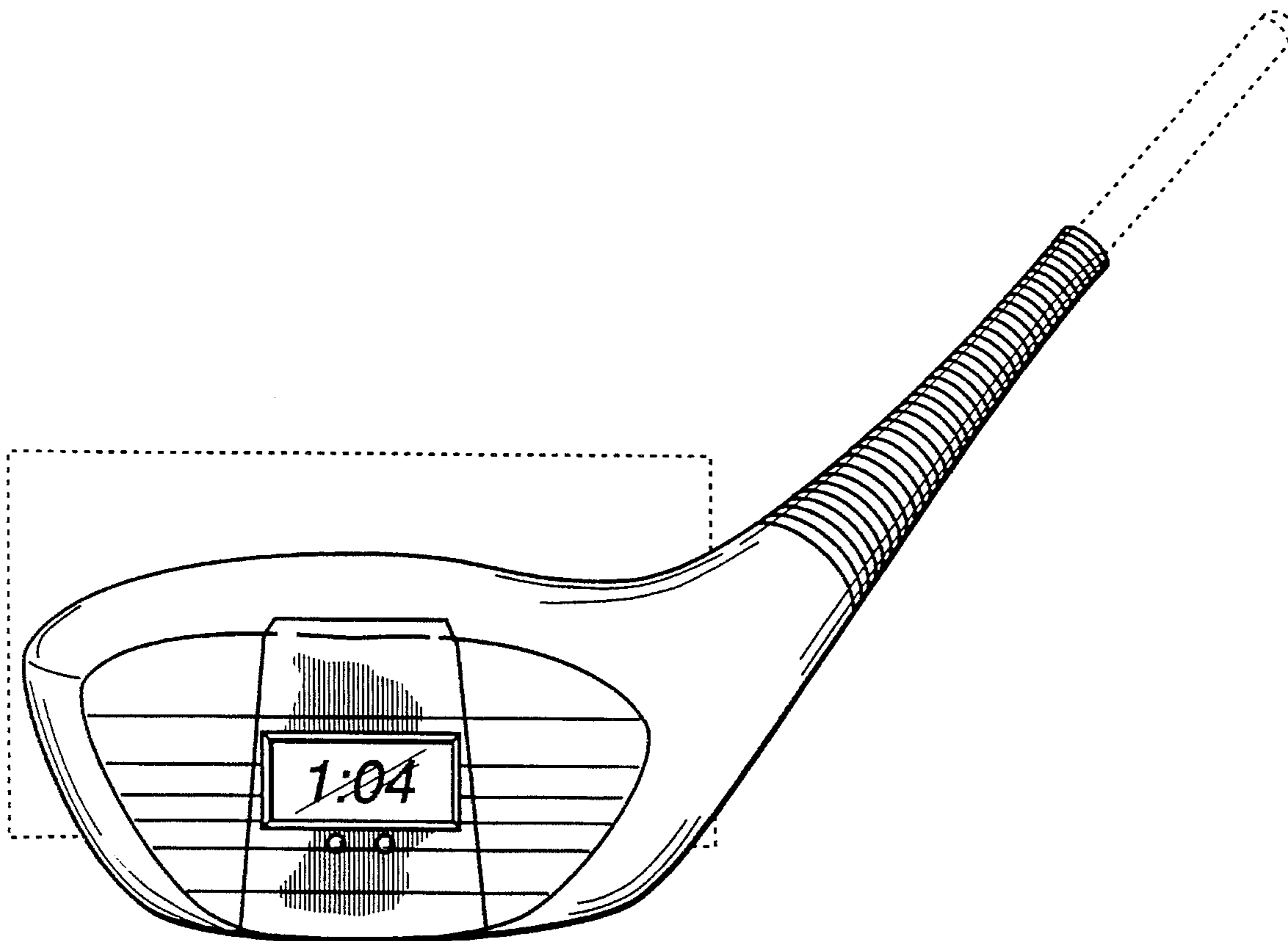
The broken lines shown in FIG. 1 are environmental only and form no part of the claimed design.

[56] References Cited

U.S. PATENT DOCUMENTS

D. 255,128 5/1980 Pirolozzi D19/82
D. 270,899 10/1983 Huang D10/2
D. 275,744 10/1984 McJunkin et al. D19/82 X

1 Claim, 3 Drawing Sheets



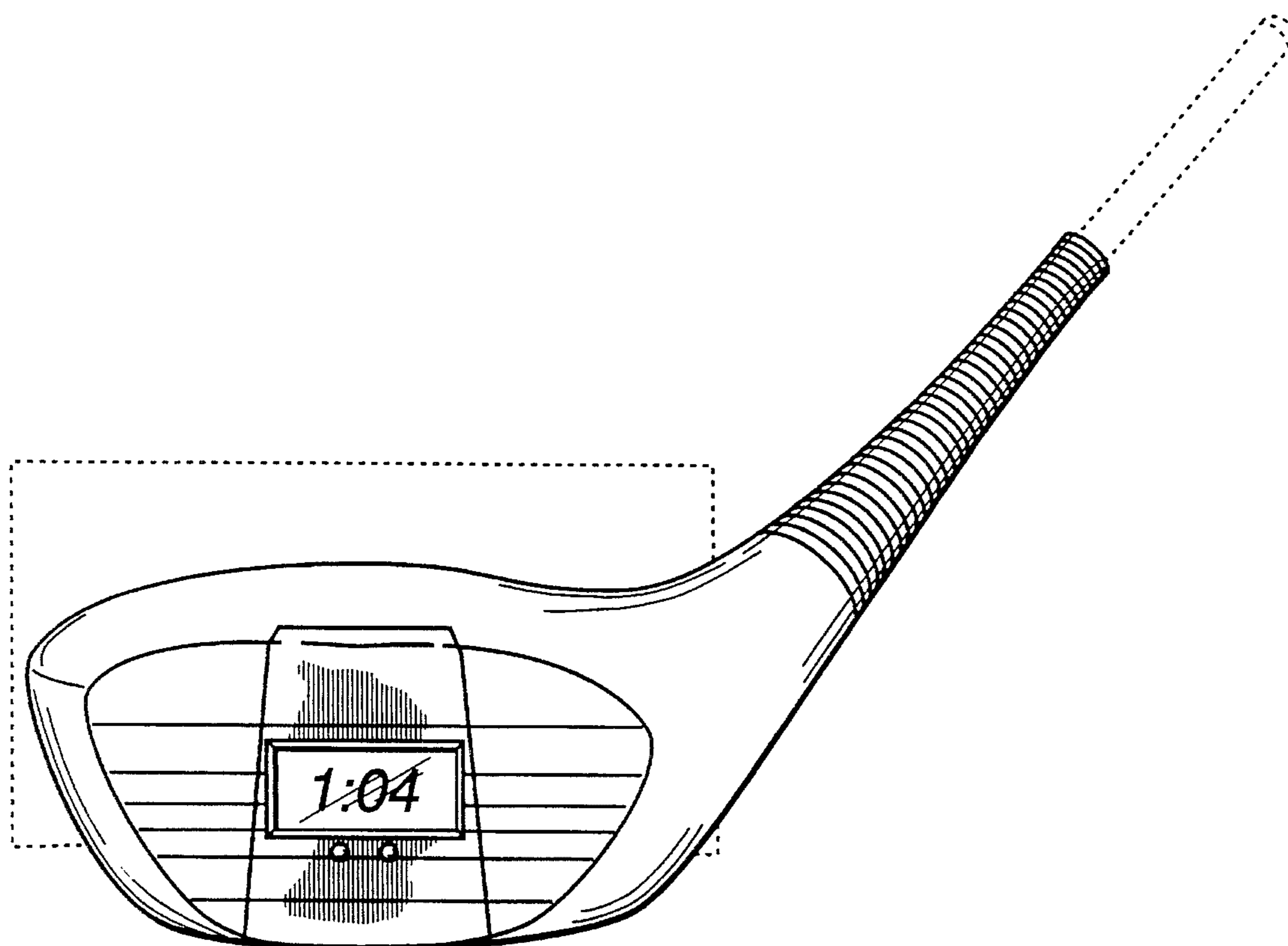


Fig. 1

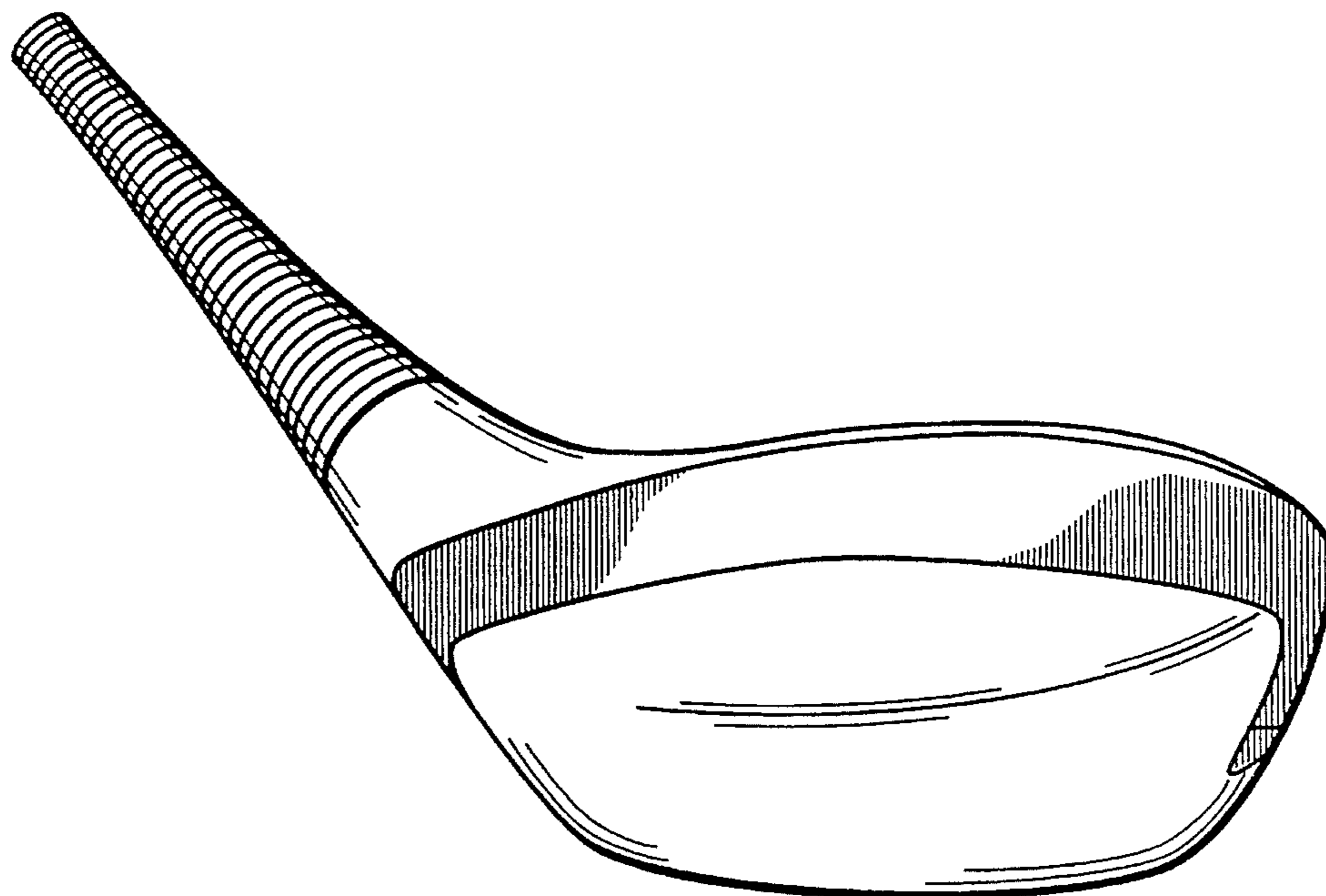


Fig. 2

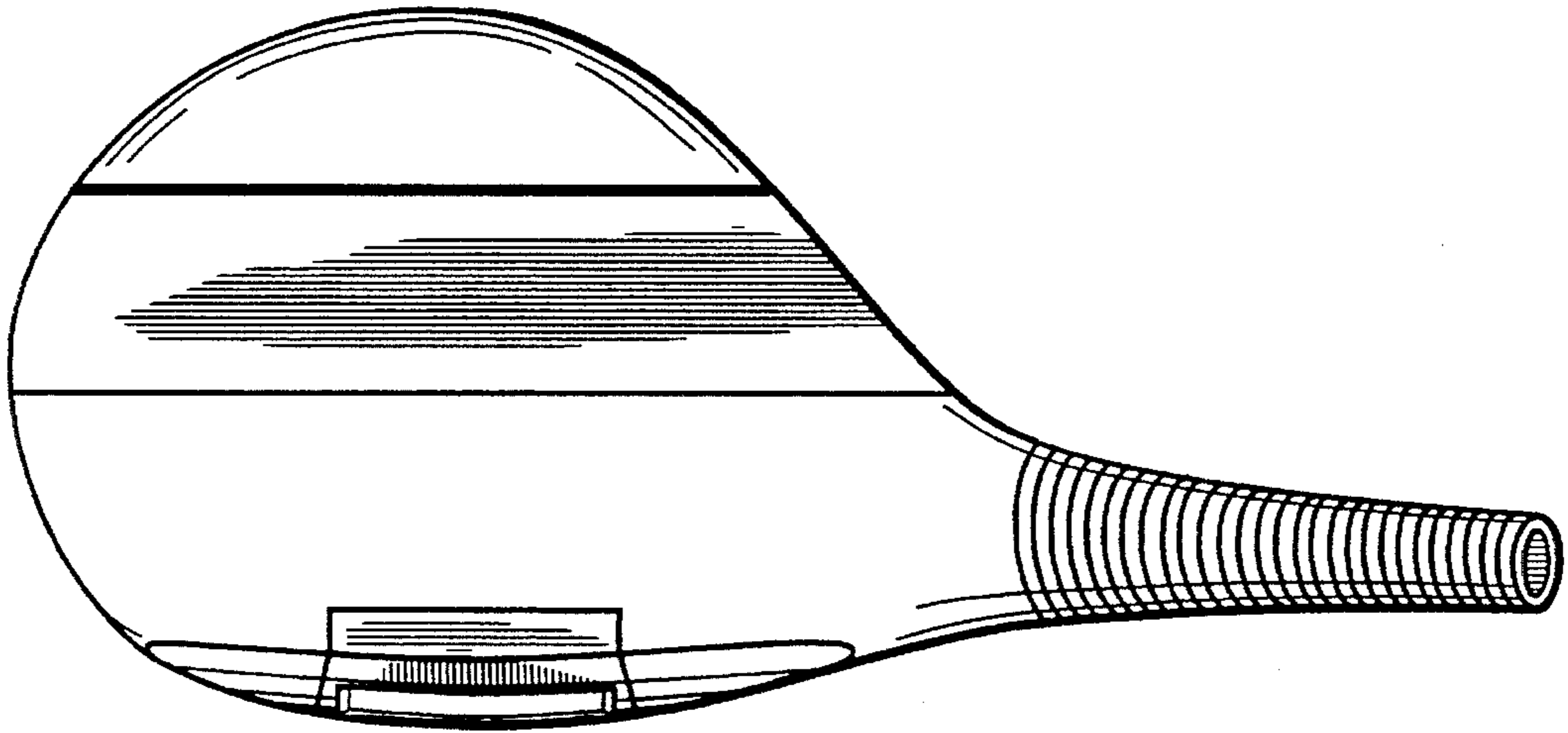


Fig. 3

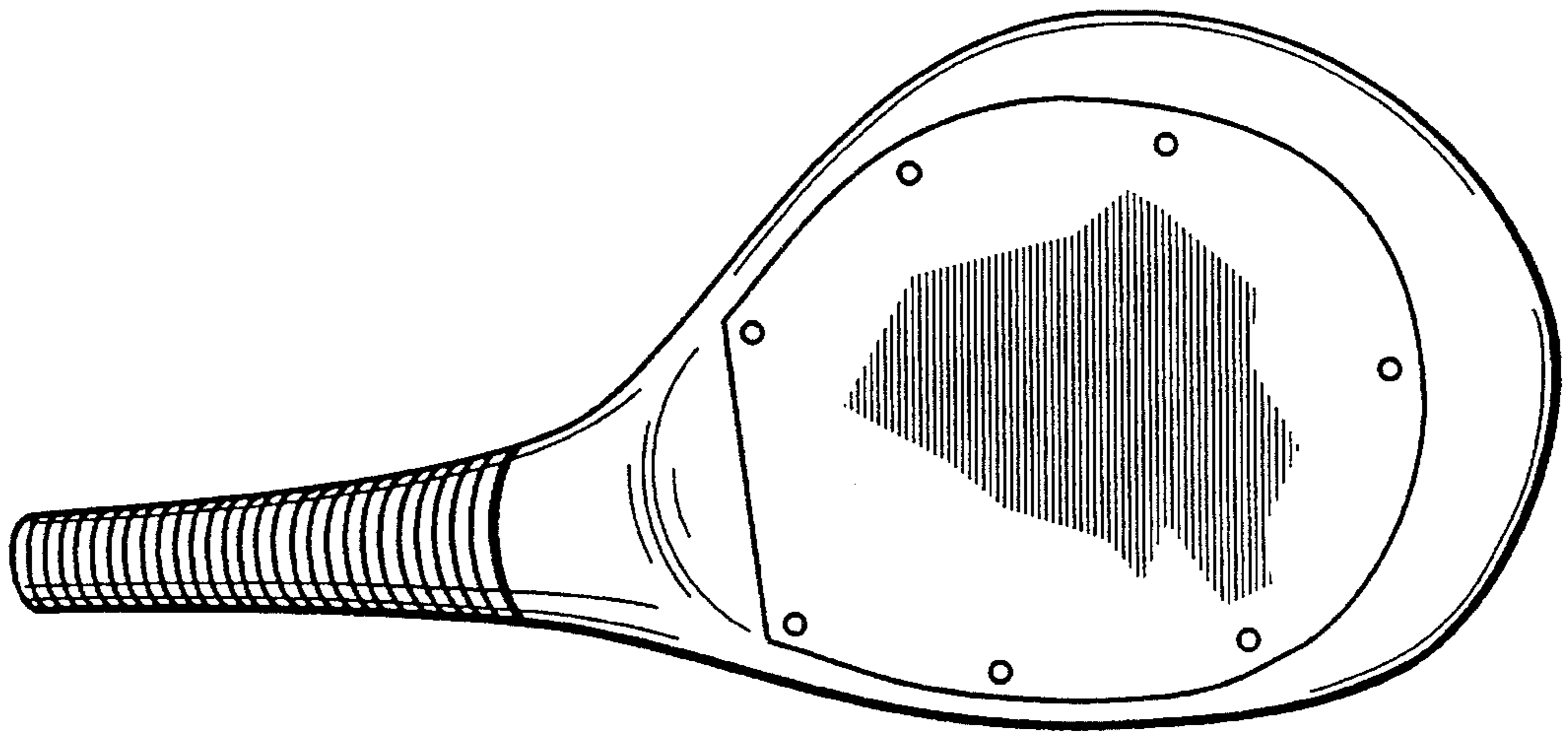


Fig. 4

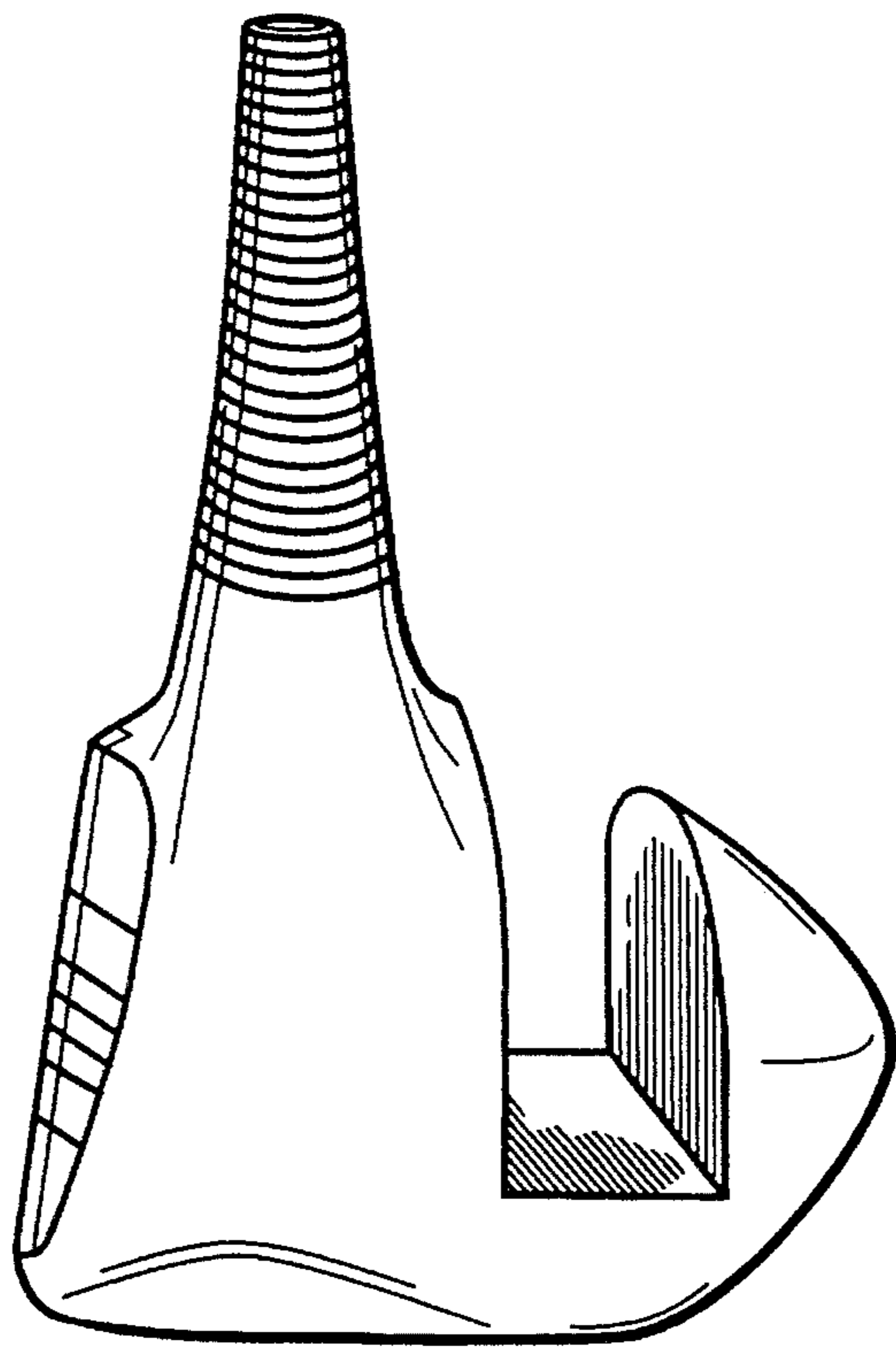


Fig. 5

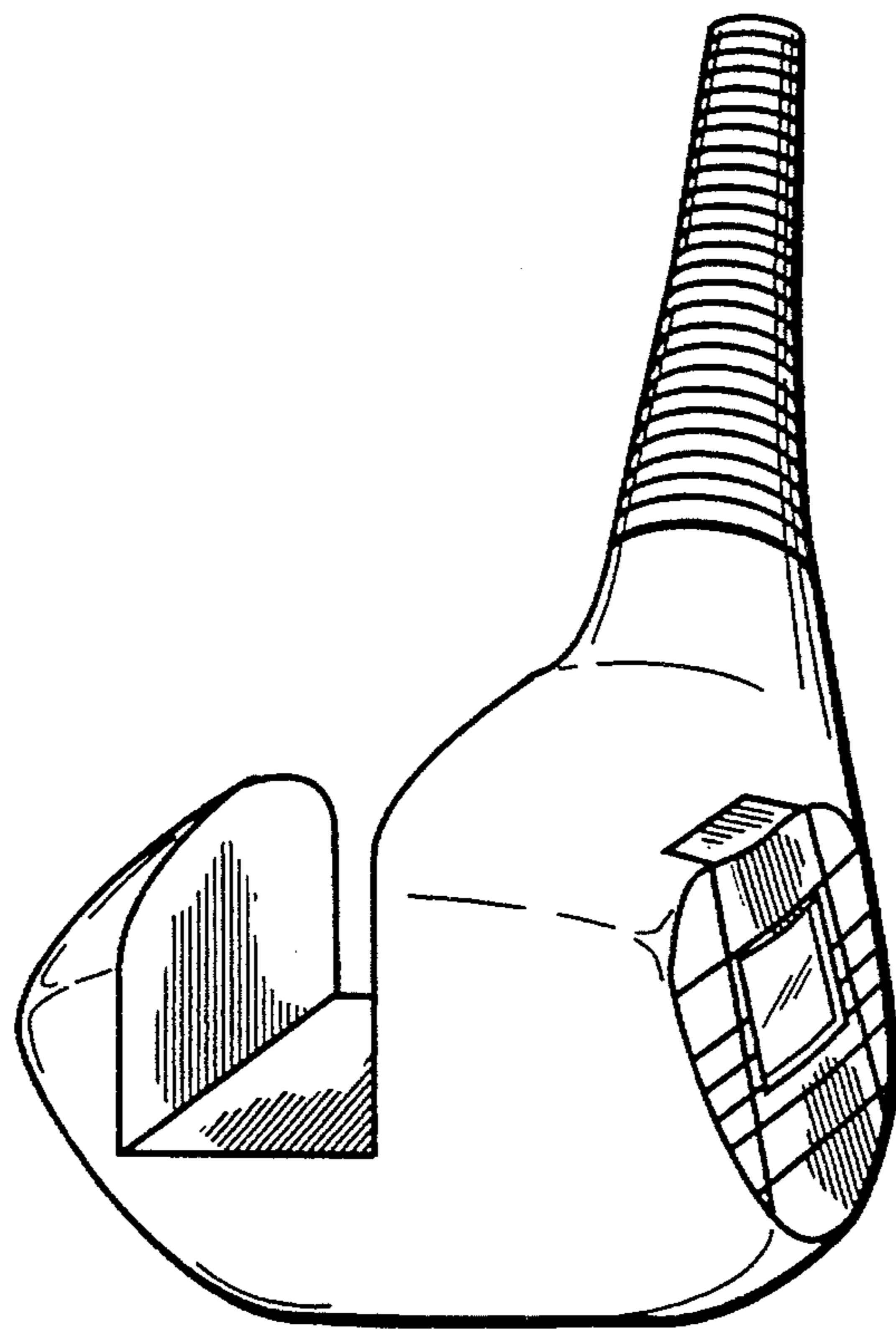


Fig. 6