



US00D368031S

United States Patent [19]
Chahed

[11] **Patent Number: Des. 368,031**

[45] **Date of Patent: **Mar. 19, 1996**

[54] **PACKAGE**

4,964,513 10/1990 Ingram et al. 206/459.5
5,337,891 8/1994 Toth 206/316.2

[75] Inventor: **Khaled Chahed**, Paris, France

[73] Assignee: **Parfums Jean-Jacques Vivier**,
Saint-Maur-des-Fosses, France

[**] Term: **14 Years**

Primary Examiner—Prabhakar G. Deshmukh
Assistant Examiner—Nanda Bondade
Attorney, Agent, or Firm—Sixbey, Friedman, Leedom &
Ferguson; Gerald J. Ferguson, Jr.; David S. Safran

[21] Appl. No.: **27,153**

[57] **CLAIM**

The ornamental design for package, as shown and described.

[22] Filed: **Jul. 12, 1994**

[52] U.S. Cl. **D9/432**

DESCRIPTION

[58] **Field of Search** D9/432; 206/316.1,
206/316.2, 457, 459.5

FIG. 1 is a front, right side and top perspective view of a package showing my new design;

FIG 2 is a front elevational view thereof; and,

FIG. 3 is a rear elevational view thereof.

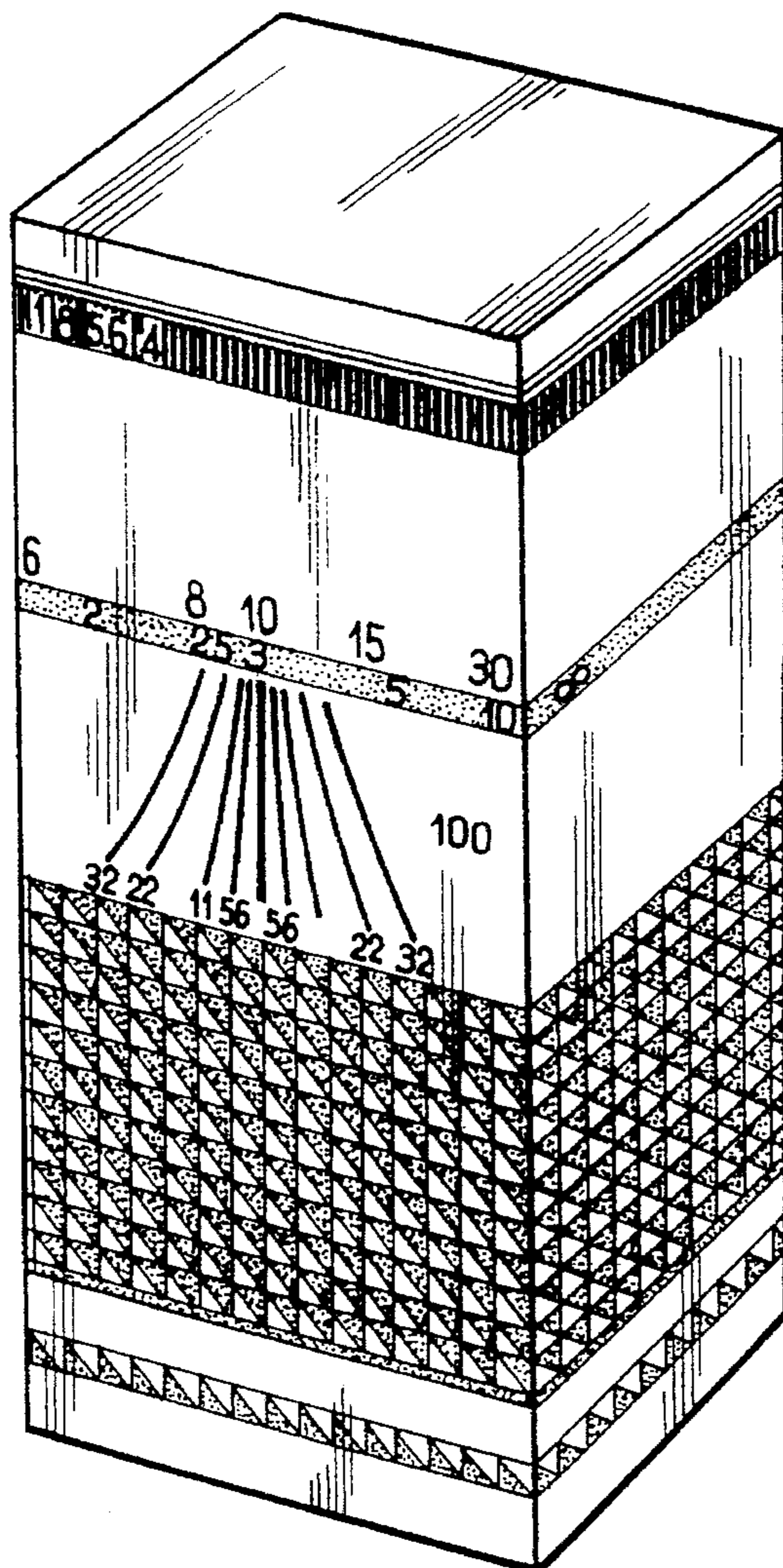
The bottom is the same as the top view and the left side view is the same as the rear view of FIG. 3.

[56] **References Cited**

U.S. PATENT DOCUMENTS

4,620,664 11/1986 Kaufman et al. 206/459.5
4,648,548 3/1987 Shin 206/459.5 X
4,821,876 4/1989 Naito et al. 206/316.1 X

1 Claim, 3 Drawing Sheets



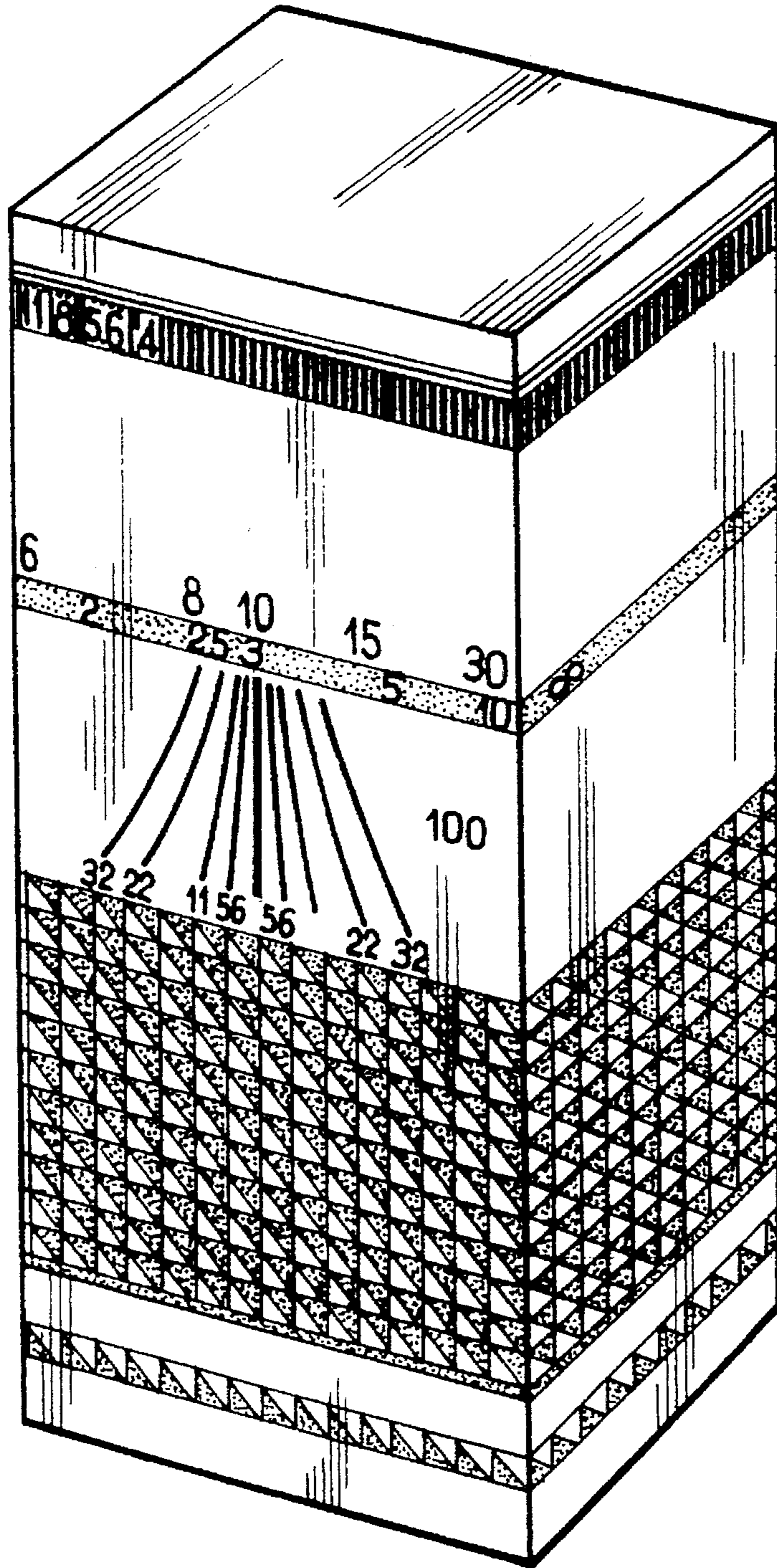


FIG. 1

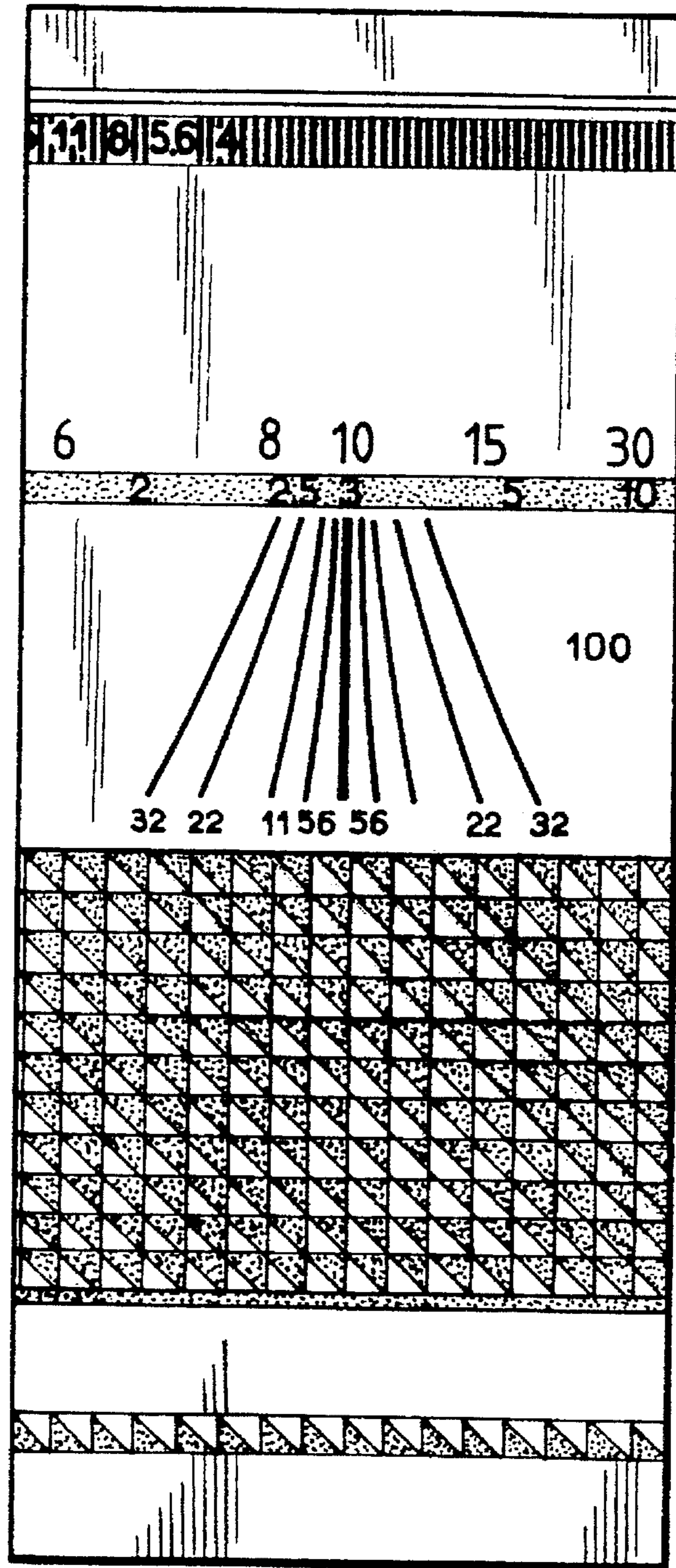


FIG. 2

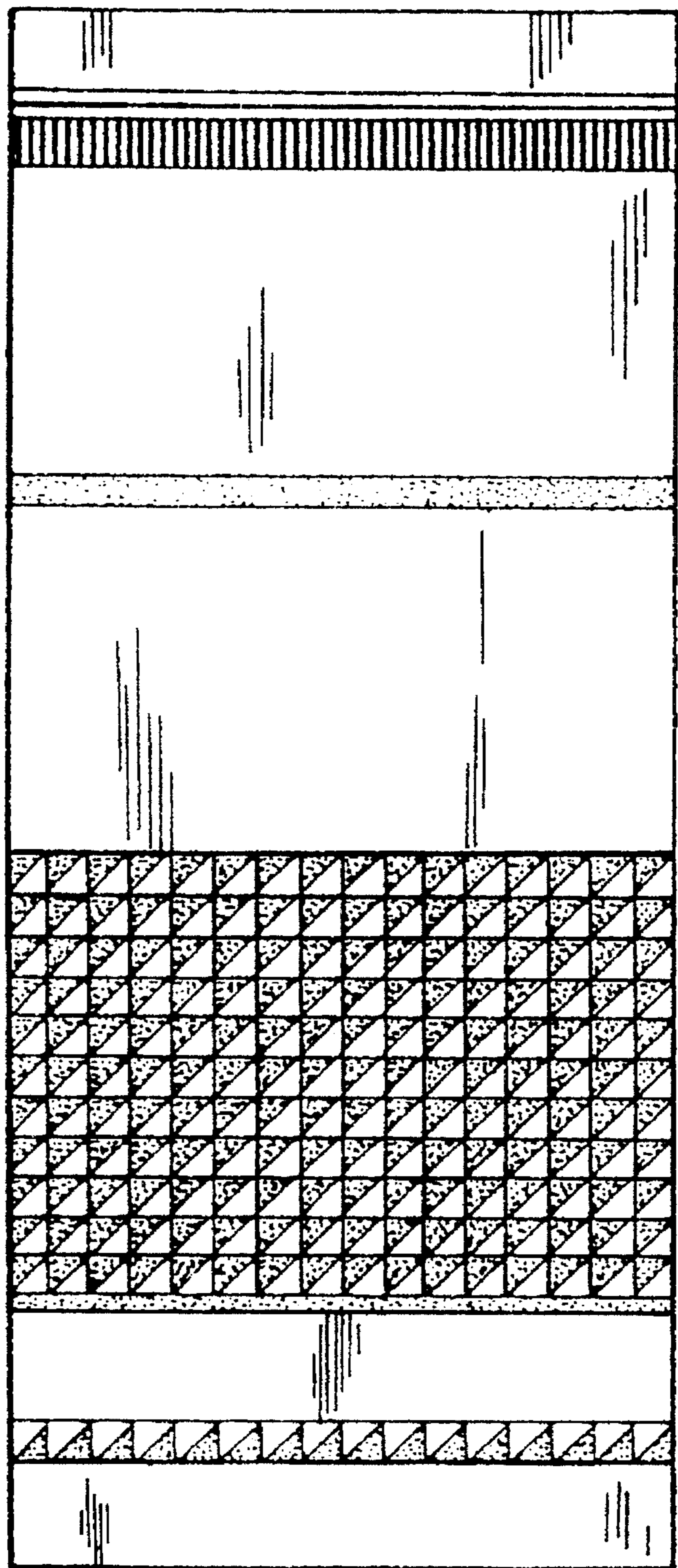


FIG. 3