



US00D368027S

United States Patent [19]
Baker

[11] **Patent Number: Des. 368,027**

[45] **Date of Patent: **Mar. 19, 1996**

[54] **PACKAGE FOR A SLENDER OBJECT**

5,353,935 10/1994 Yeager et al. 206/470

[75] Inventor: **Jay J. Baker**, Mayville, N.Y.

OTHER PUBLICATIONS

[73] Assignee: **Jamestown Plastics, Inc.**, Brocton, N.Y.

Modern Packaging, 1941, p. 300.
Consumer Packaging, Apr. 1961, p. 57.
Techform Inc., Nov. 1982.

[**] Term: **14 Years**

Primary Examiner—Prabhakar G. Deshmukh
Attorney, Agent, or Firm—Phillips, Lytle, Hitchcock, Blaine & Huber

[21] Appl. No.: **30,352**

[22] Filed: **Oct. 27, 1994**

[57] **CLAIM**

[52] **U.S. Cl.** **D9/415**

The ornamental design for a package for a slender object, as shown and described.

[58] **Field of Search** D9/415, 425, 424,
D9/426, 341, 346, 418; 206/461-471, 806,
45.34, 45.31, 44 R, 491, 492, 495

DESCRIPTION

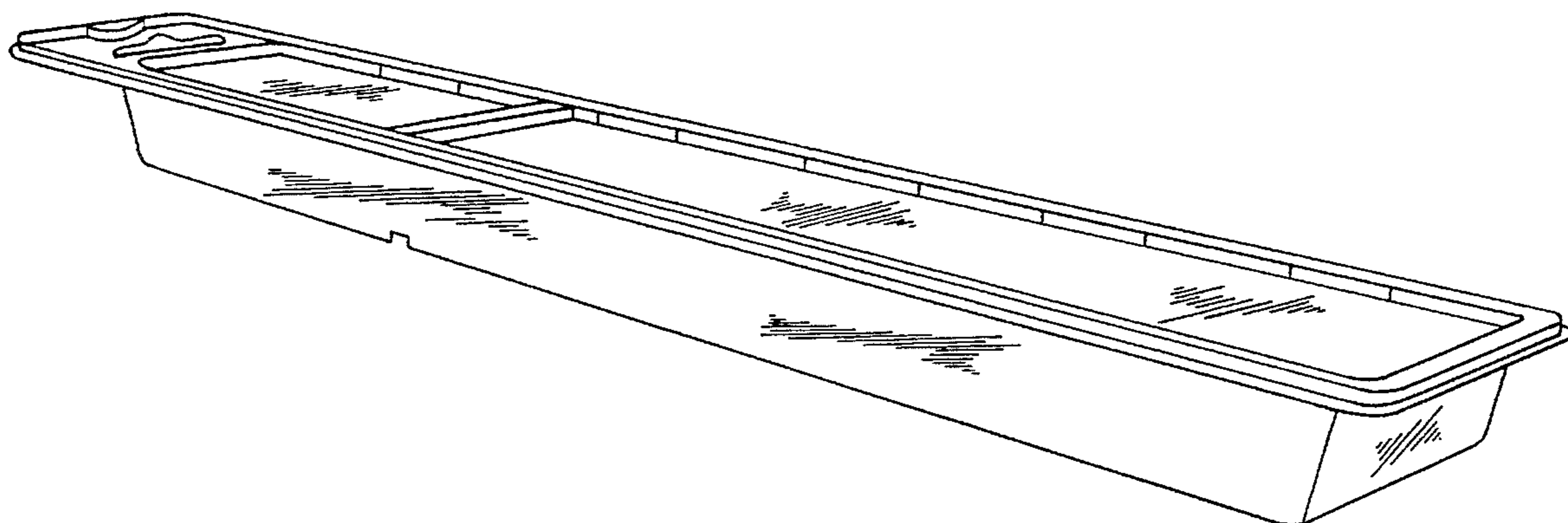
[56] **References Cited**

FIG. 1 is a perspective view of the package for a slender object;
FIG. 2 is a side elevation of the package for a slender object;
FIG. 3 is a side elevation of the package for a slender object showing the hatch raised;
FIG. 4 is a top plan view of the package for a slender object; and,
FIG. 5 is a bottom plan view of the package for a slender object.

U.S. PATENT DOCUMENTS

D. 304,685	11/1989	Hadtko	D9/415
D. 327,013	6/1992	Reighart	D9/415
D. 338,619	8/1993	Mylander et al.	D9/415
D. 340,861	11/1993	Abelson	D9/415
D. 357,626	4/1995	Snow et al.	D9/415
3,174,621	3/1965	Watson	D9/415 X
5,067,611	11/1991	Hagmann et al.	206/470 X
5,154,293	10/1992	Gould	206/470 X

1 Claim, 2 Drawing Sheets



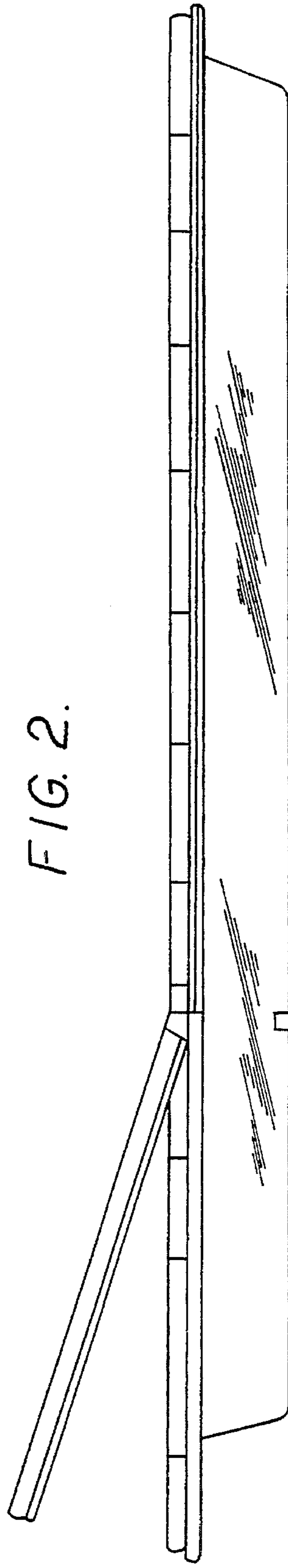
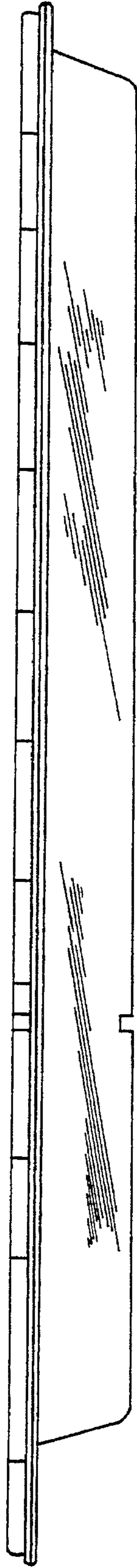
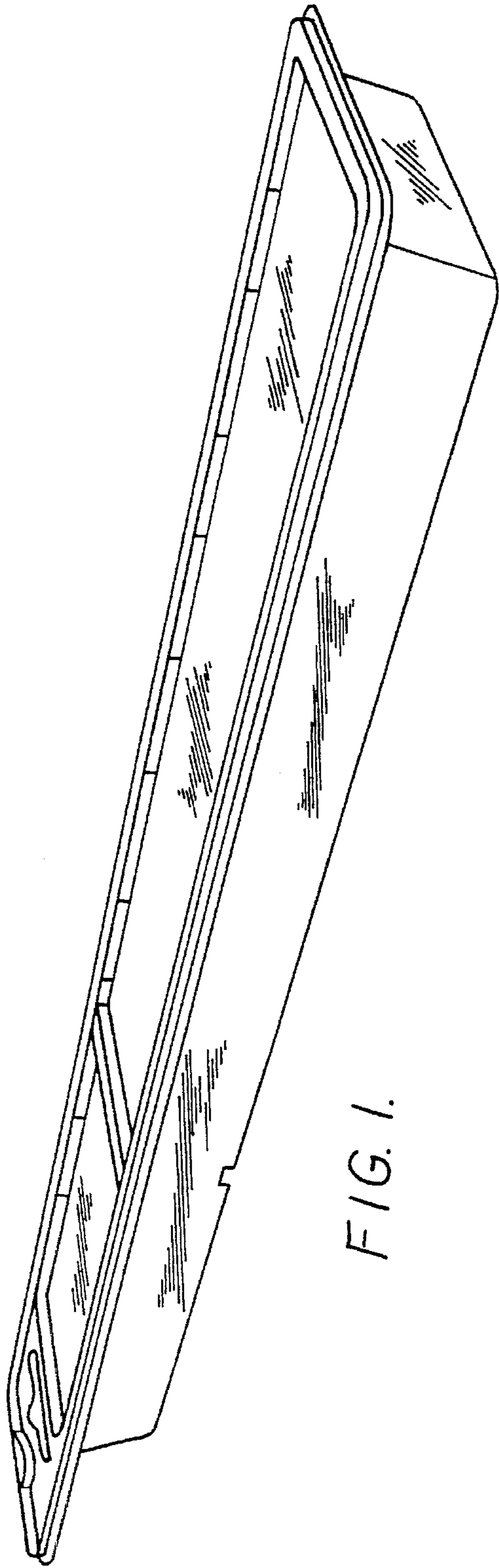


FIG. 4.

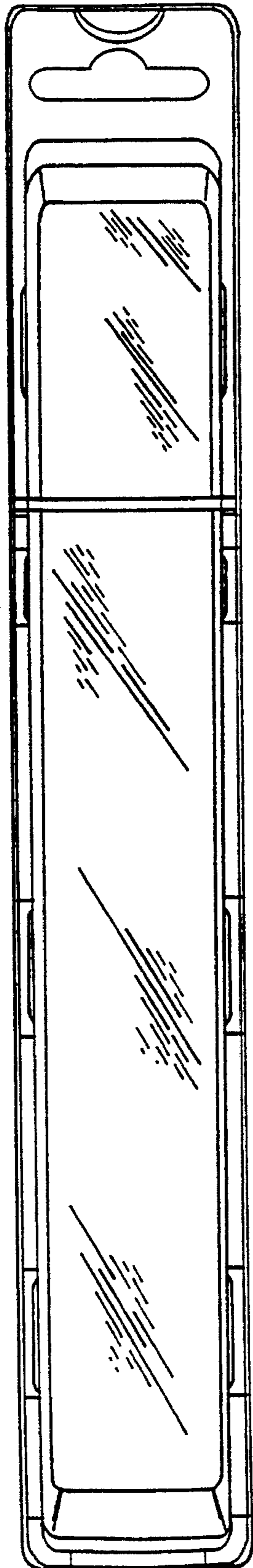


FIG. 5.

