



US00D368023S

United States Patent [19]
Leung

[11] **Patent Number: Des. 368,023**
[45] **Date of Patent: **Mar. 19, 1996**

[54] **DISPENSER**

Eau de Toilette Spray Bottle.

[76] Inventor: **Ken Leung**, 854 Walker Ave., Oakland, Calif. 94610

Primary Examiner—Prabhakar G. Deshmukh
Assistant Examiner—Cheri Cohen
Attorney, Agent, or Firm—H. Jay Spiegel

[**] Term: **14 Years**

[21] Appl. No.: **28,779**

[57] **CLAIM**

[22] Filed: **Sep. 22, 1994**

The ornamental design for a dispenser, as shown and described.

[52] U.S. Cl. **D9/300; D9/573**

[58] Field of Search D9/300, 448, 516, D9/544, 563, 560, 562, 572, 573; D28/76, 91.1, 77, 5; 215/371; 222/321, 382

DESCRIPTION

[56] **References Cited**

FIG. 1 is a front elevation view of a dispenser showing my new design;
FIG. 2 is a rear elevation view thereof;
FIG. 3 is a side elevation view thereof, the opposite side being a mirror image;
FIG. 4 is a top plan view thereof;
FIG. 5 is a bottom plan view thereof; and,
FIG. 6 is a perspective view thereof.

U.S. PATENT DOCUMENTS

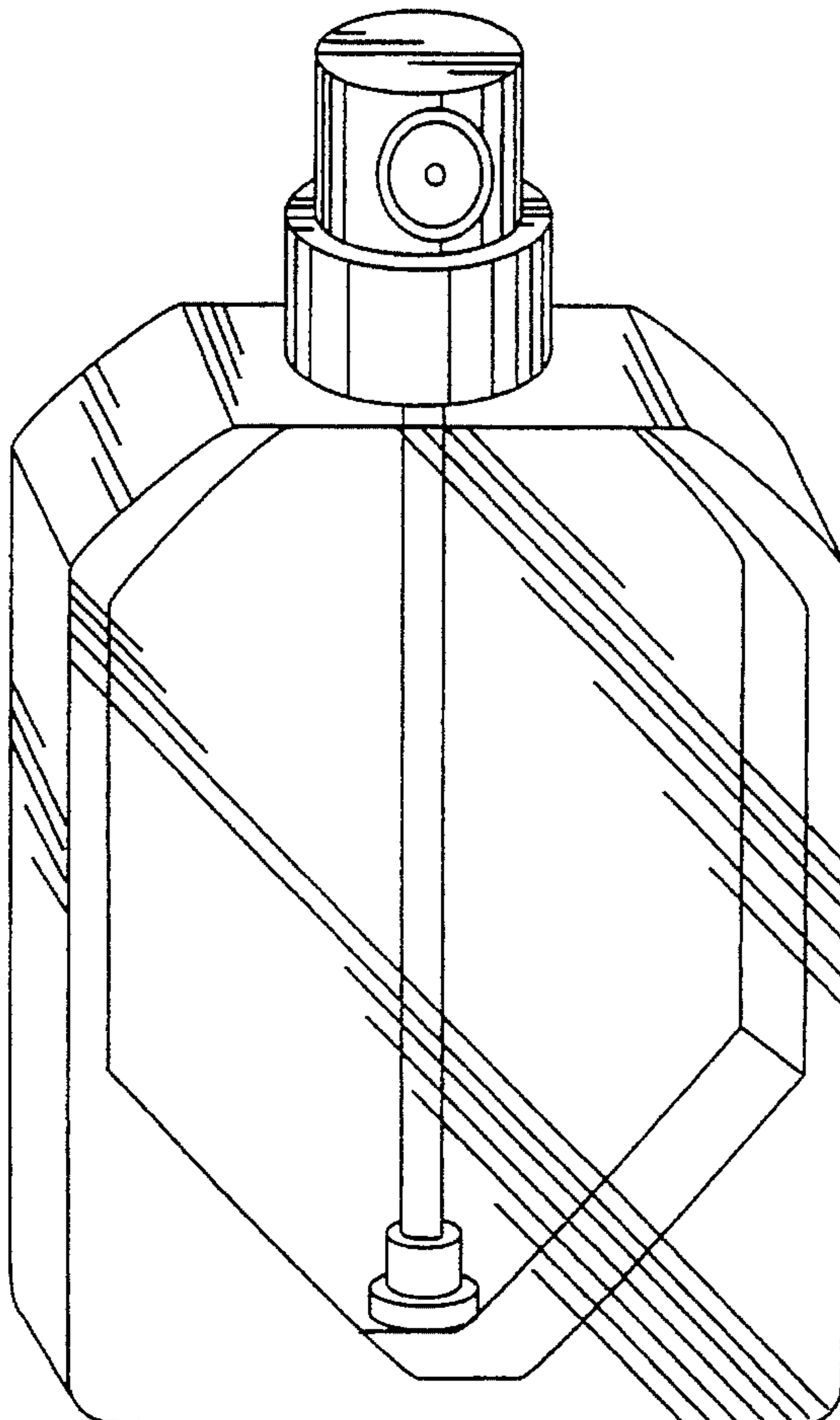
D. 167,637	9/1952	Knight	D9/569 X
D. 289,142	4/1987	Bijaoui	D9/307
D. 310,962	10/1990	Dinand	D9/300 X
D. 341,091	11/1993	Granai	D9/573

OTHER PUBLICATIONS

“Beauty Fashion”, Apr. 1980, p. 47, Paco Rabanne Perfume Bottle.

“Hecht’s Holiday Gifts Catalog”, Nov. 1992, p. 19, Tuscany

1 Claim, 3 Drawing Sheets



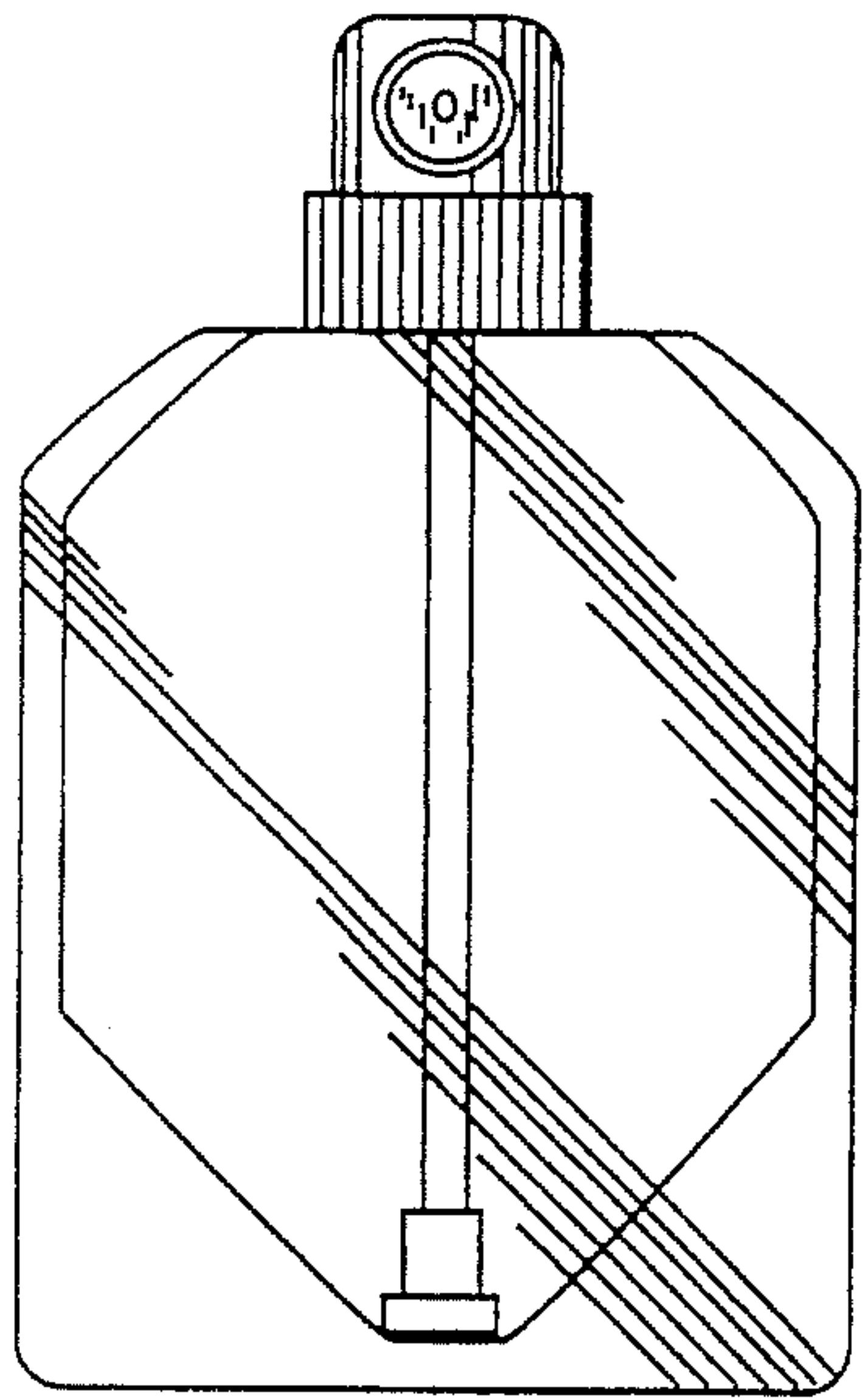


FIG. 1

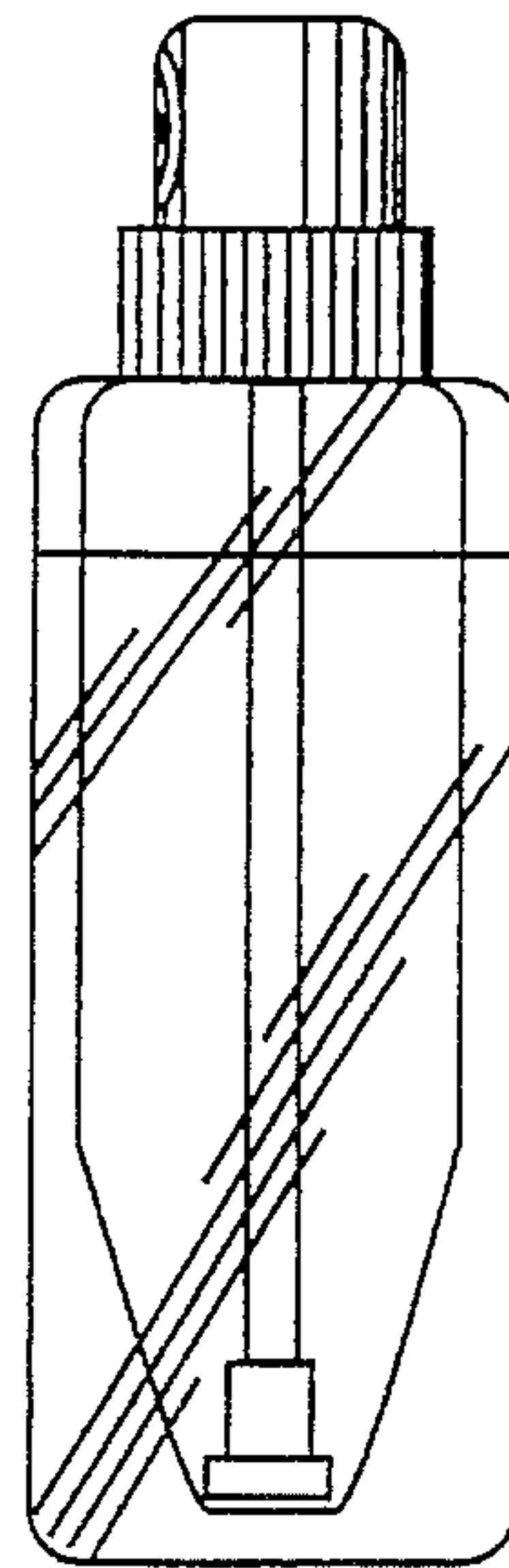


FIG. 3

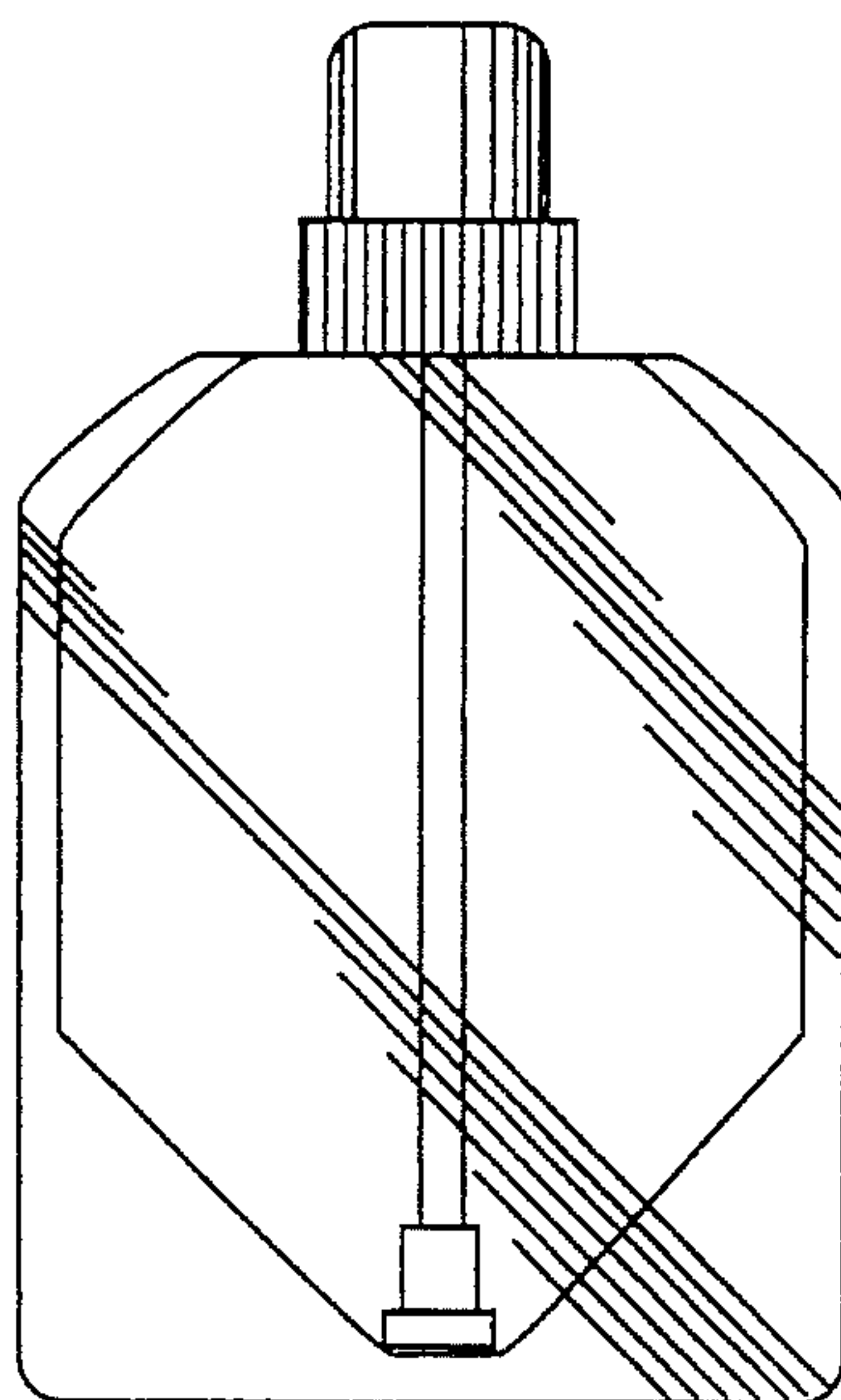


FIG. 2

FIG. 4

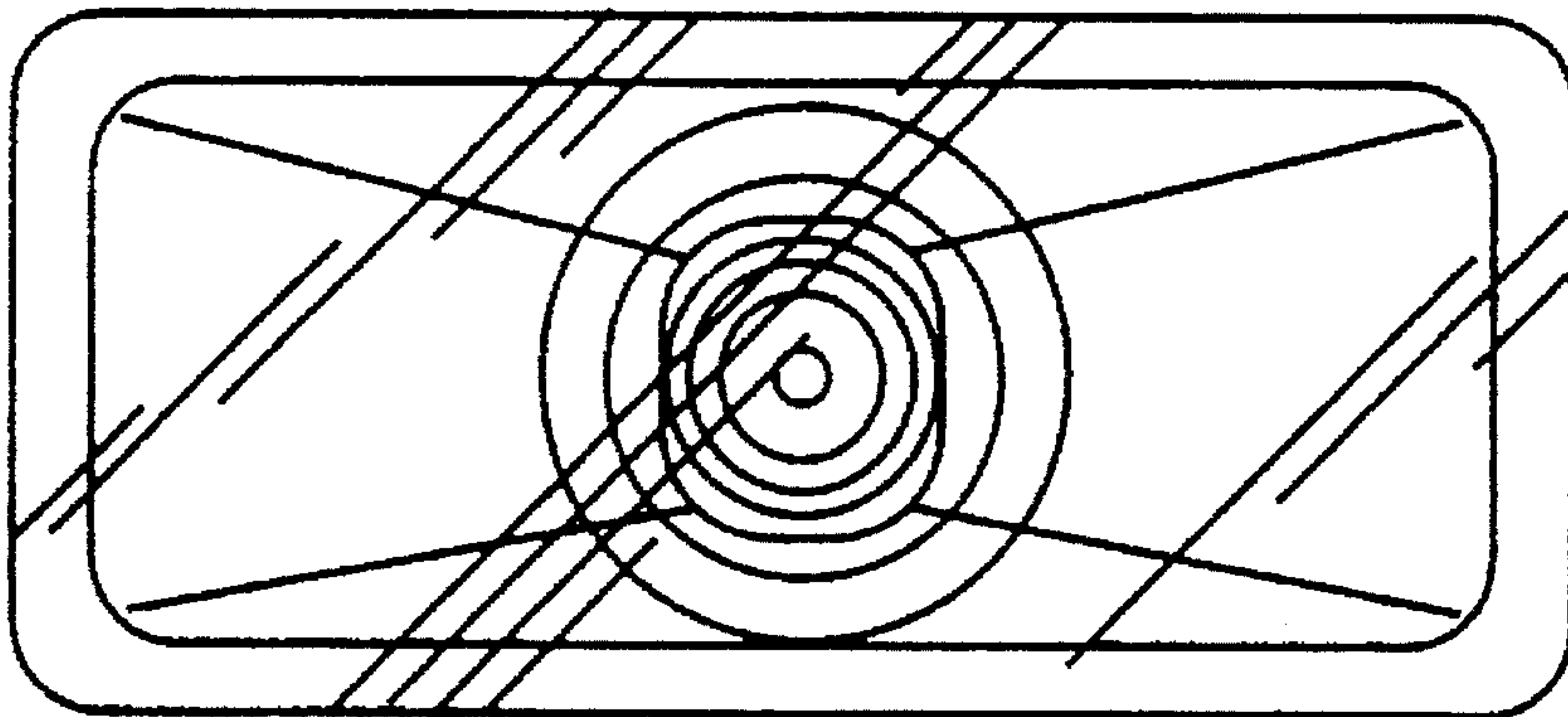
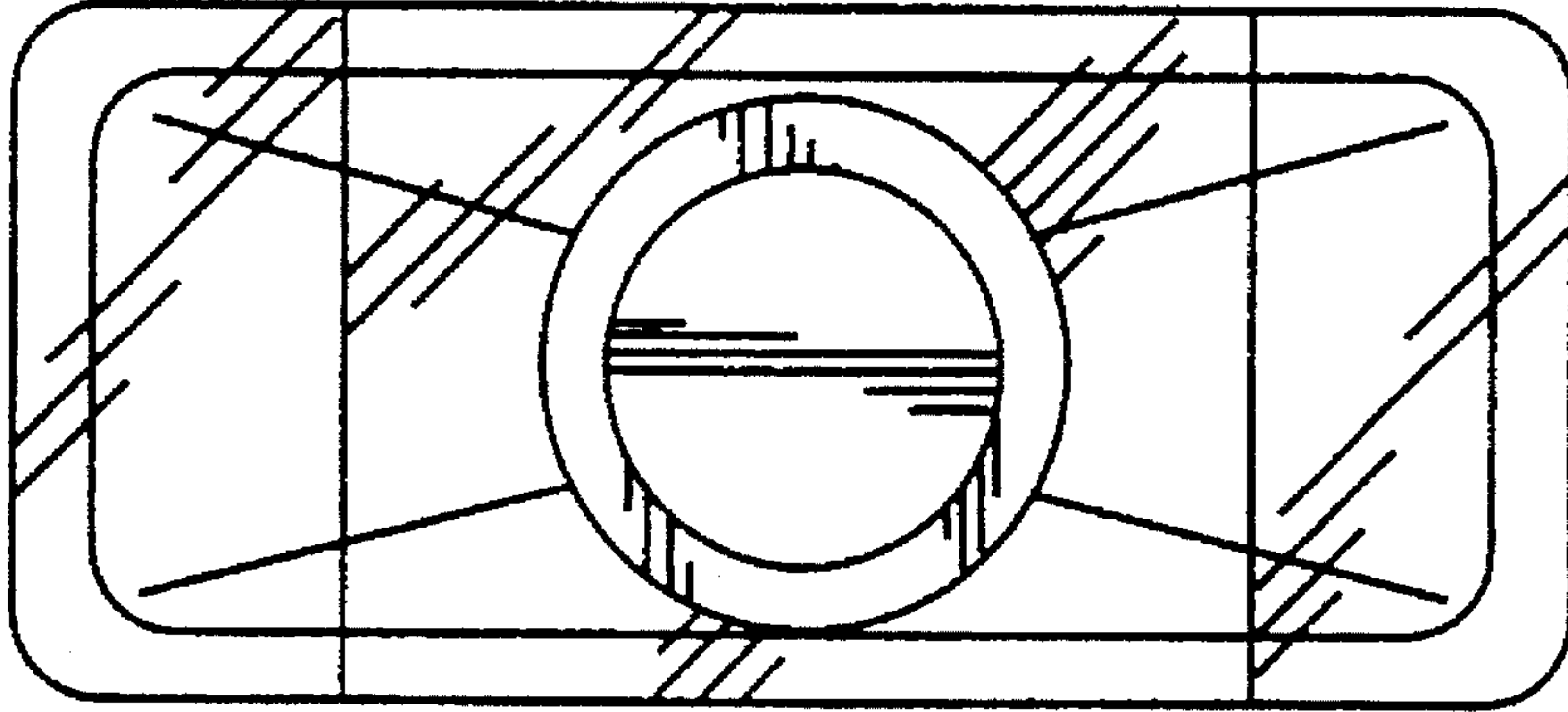


FIG. 5

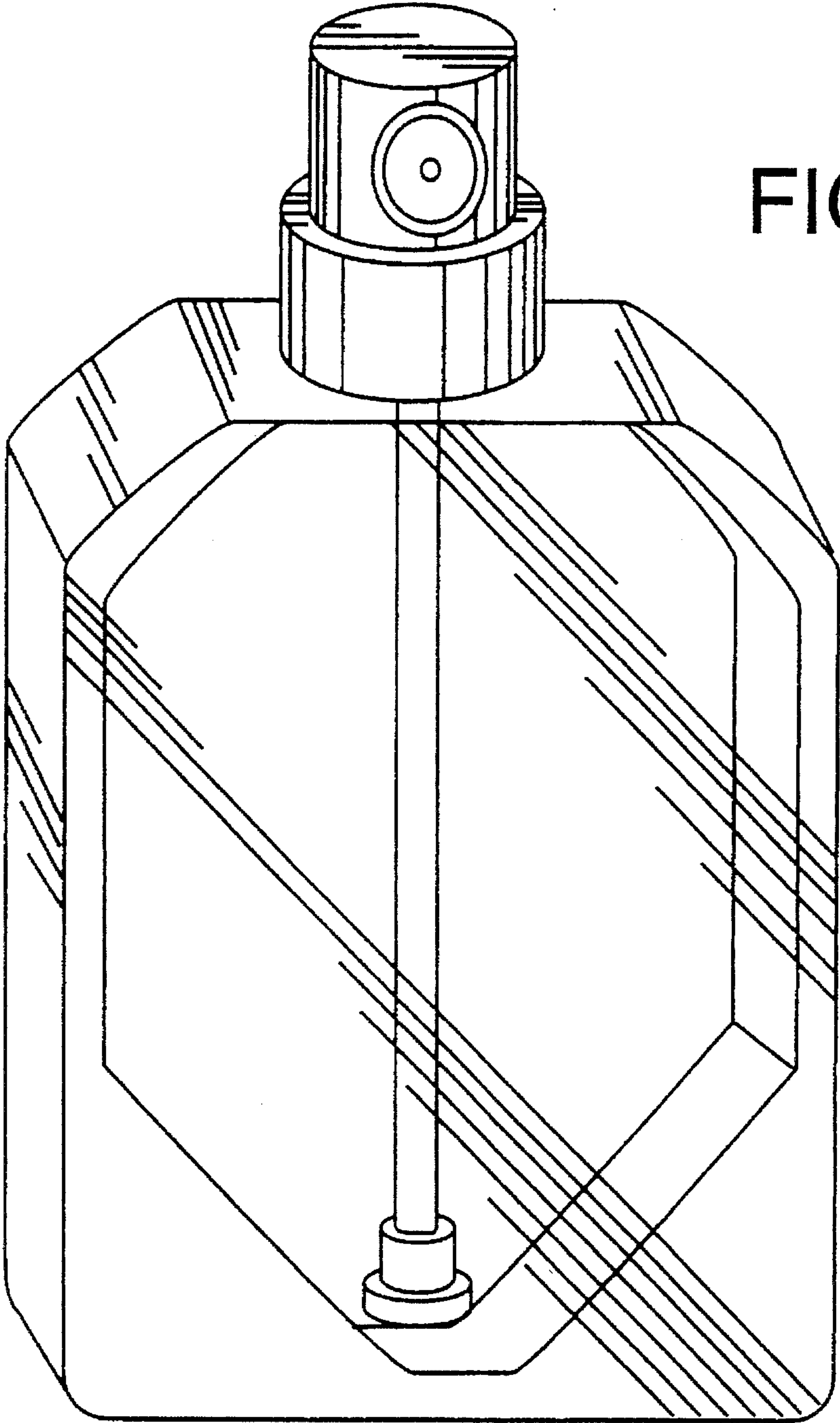


FIG. 6