



US00D368019S

United States Patent [19]
Ohtsuka

[11] **Patent Number: Des. 368,019**
[45] **Date of Patent: **Mar. 19, 1996**

[54] **ADJUSTING SCREW**
[75] Inventor: **Yasushi Ohtsuka**, Shizuoka, Japan
[73] Assignee: **Koito Manufacturing Co., Ltd.**,
Tokyo, Japan
[**] Term: **14 Years**
[21] Appl. No.: **28,569**
[22] Filed: **Sep. 19, 1994**

[30] **Foreign Application Priority Data**
Mar. 18, 1994 [JP] Japan 6-6912
[52] **U.S. Cl.** **D8/382**
[58] **Field of Search** D8/382, 387; 411/185,
411/187, 188, 386, 399, 378

[56] **References Cited**
U.S. PATENT DOCUMENTS
D. 170,571 10/1953 Fulop D8/387
1,040,568 10/1912 Newhall 411/378 X
3,339,952 9/1967 Beckman 411/339 X
3,605,845 9/1971 Junker 411/185
4,077,299 3/1978 King, Jr. 411/339
4,220,188 9/1980 McMurray 411/185 X
4,557,653 12/1985 Hill 411/509 X

4,900,208 2/1990 Kaiser et al. 411/188 X
5,049,014 9/1991 Lemke 411/182 X

FOREIGN PATENT DOCUMENTS

548107 6/1993 Japan .
568011 9/1993 Japan .

Primary Examiner—Ted Shooman
Assistant Examiner—Paula Mortimer
Attorney, Agent, or Firm—Sughrue, Mion, Zinn, Macpeak &
Seas

[57] **CLAIM**

The ornamental design for an adjusting screw, as shown.

DESCRIPTION

FIG. 1 is a perspective view of the top, one side and one end of an adjusting screw showing my new design;
FIG. 2 is a top plan view thereof;
FIG. 3 is an elevational view of said one end thereof;
FIG. 4 is an end elevational view of an opposite end thereof;
FIG. 5 is a side elevational view of said one side thereof;
FIG. 6 is a side elevational view of an opposite side thereof;
and,
FIG. 7 is a bottom plan view thereof.

1 Claim, 2 Drawing Sheets

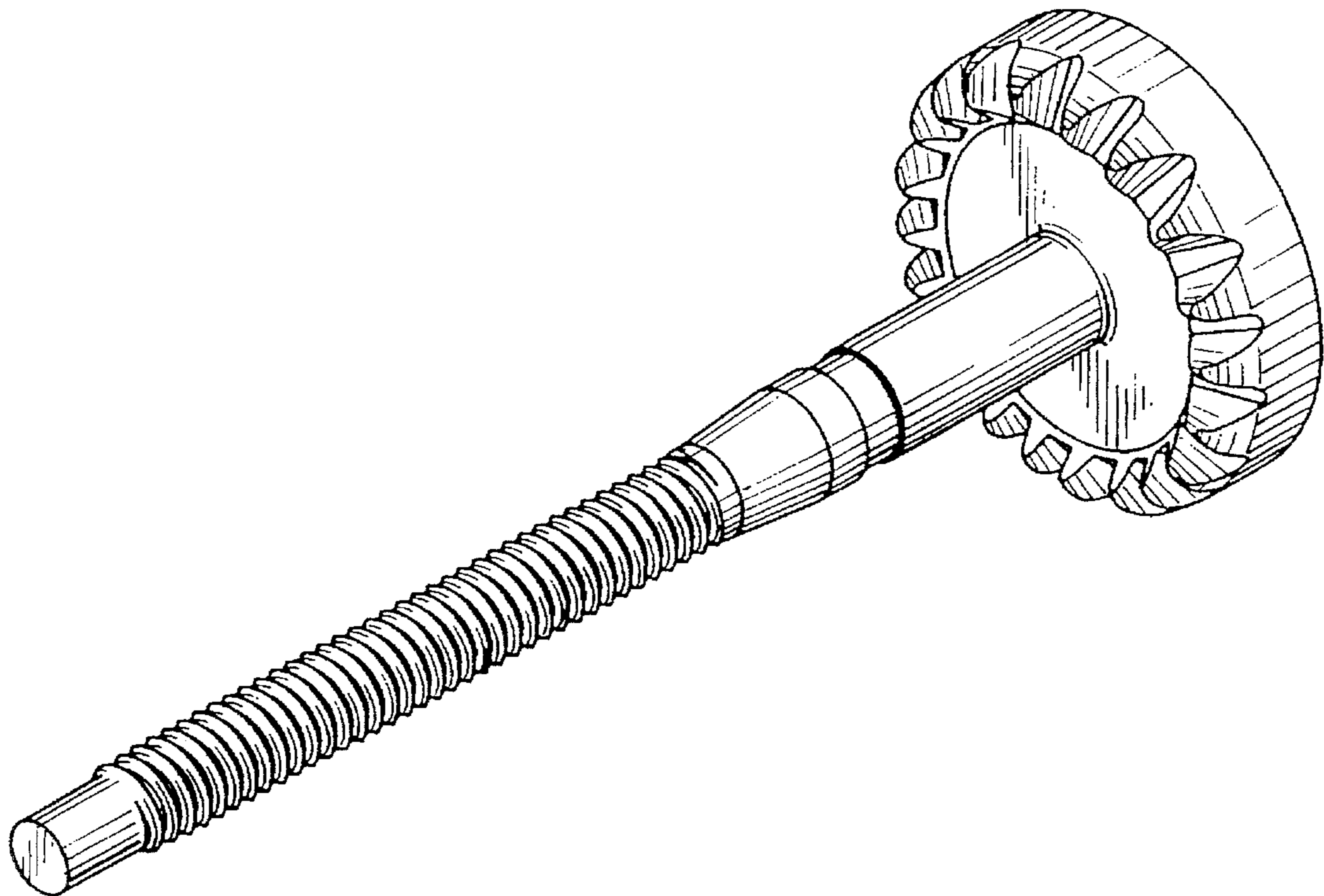


FIG. 1

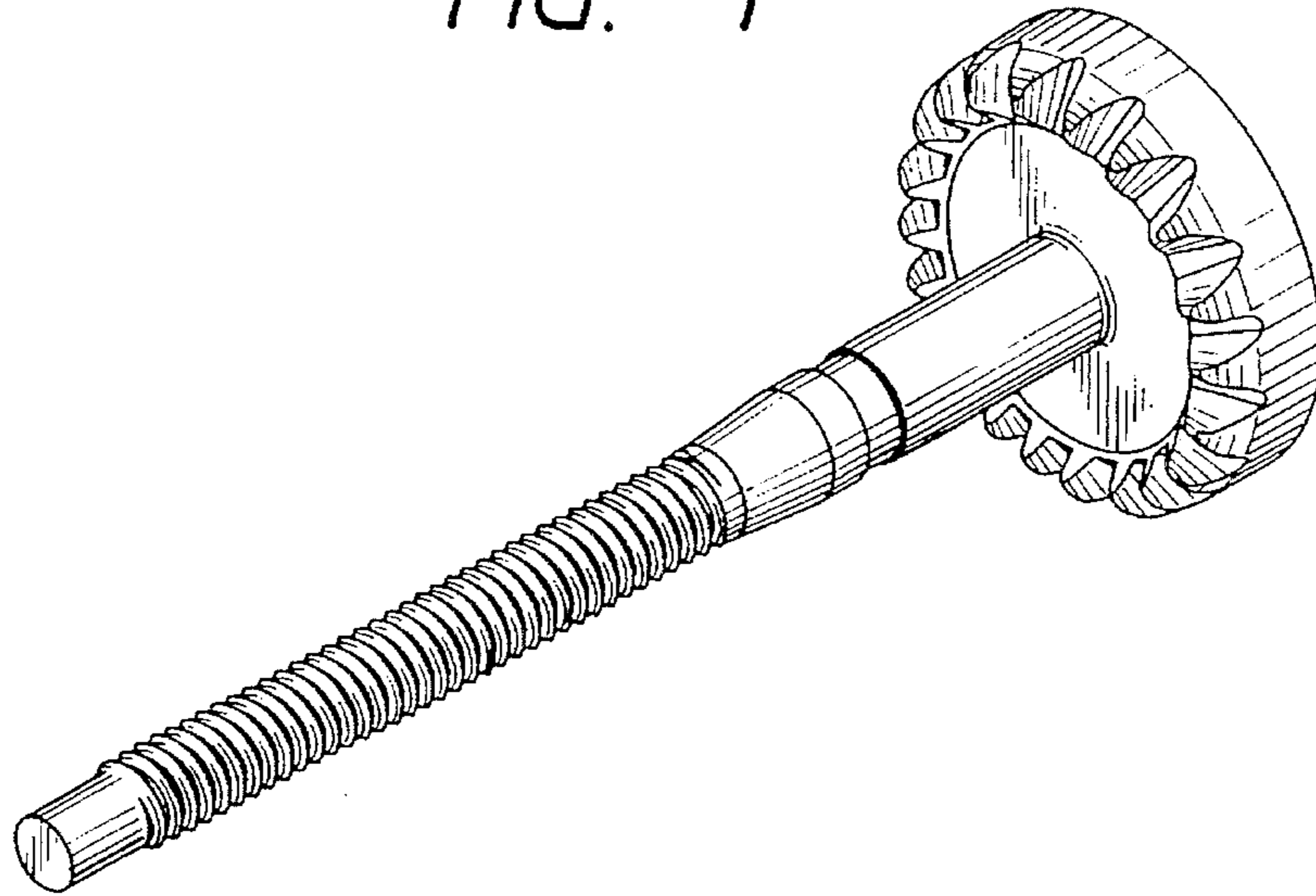


FIG. 2

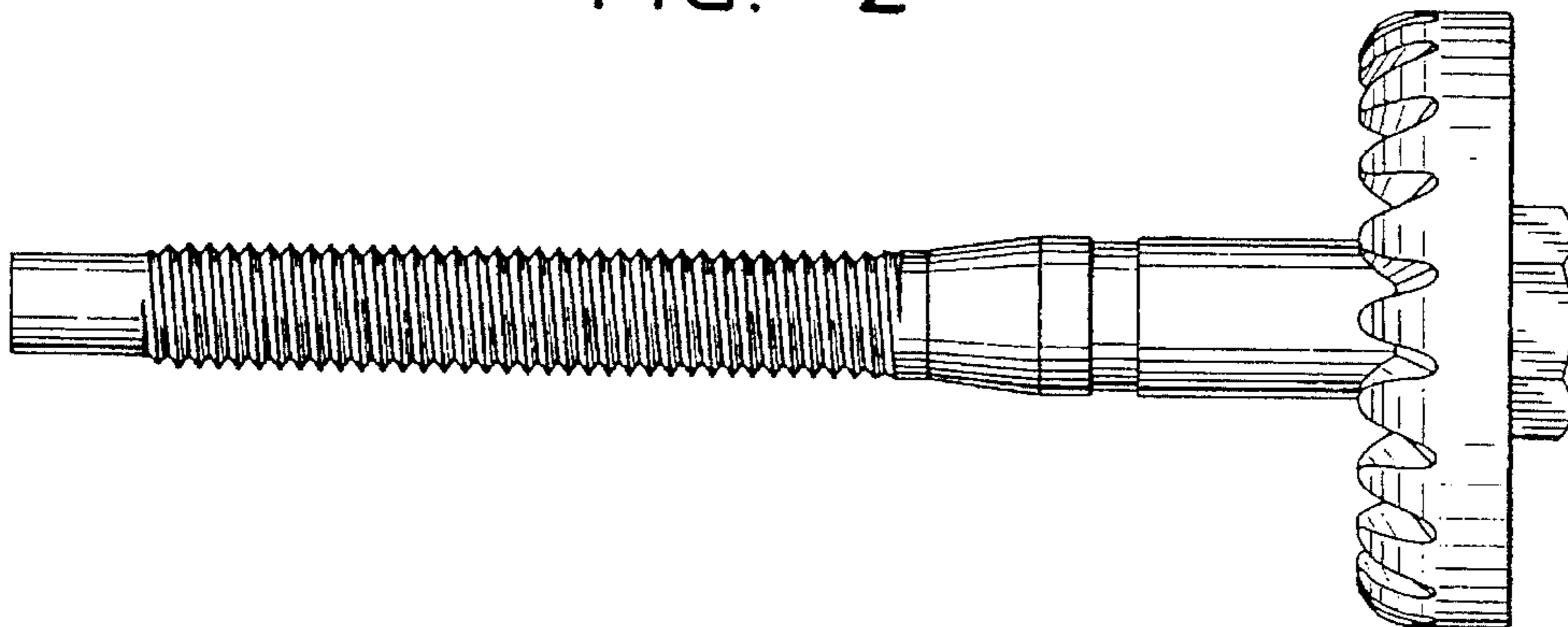


FIG. 3

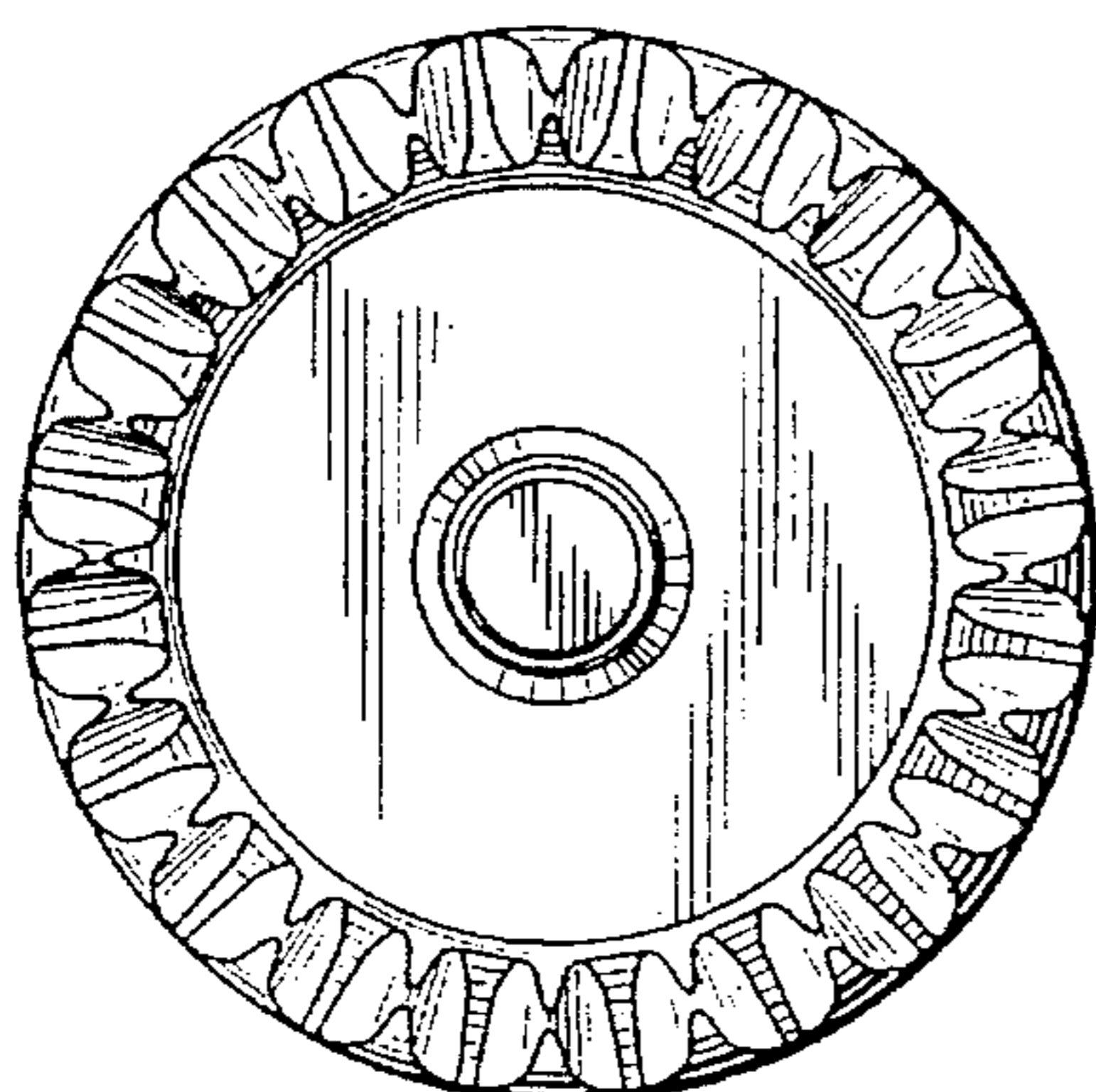


FIG. 4

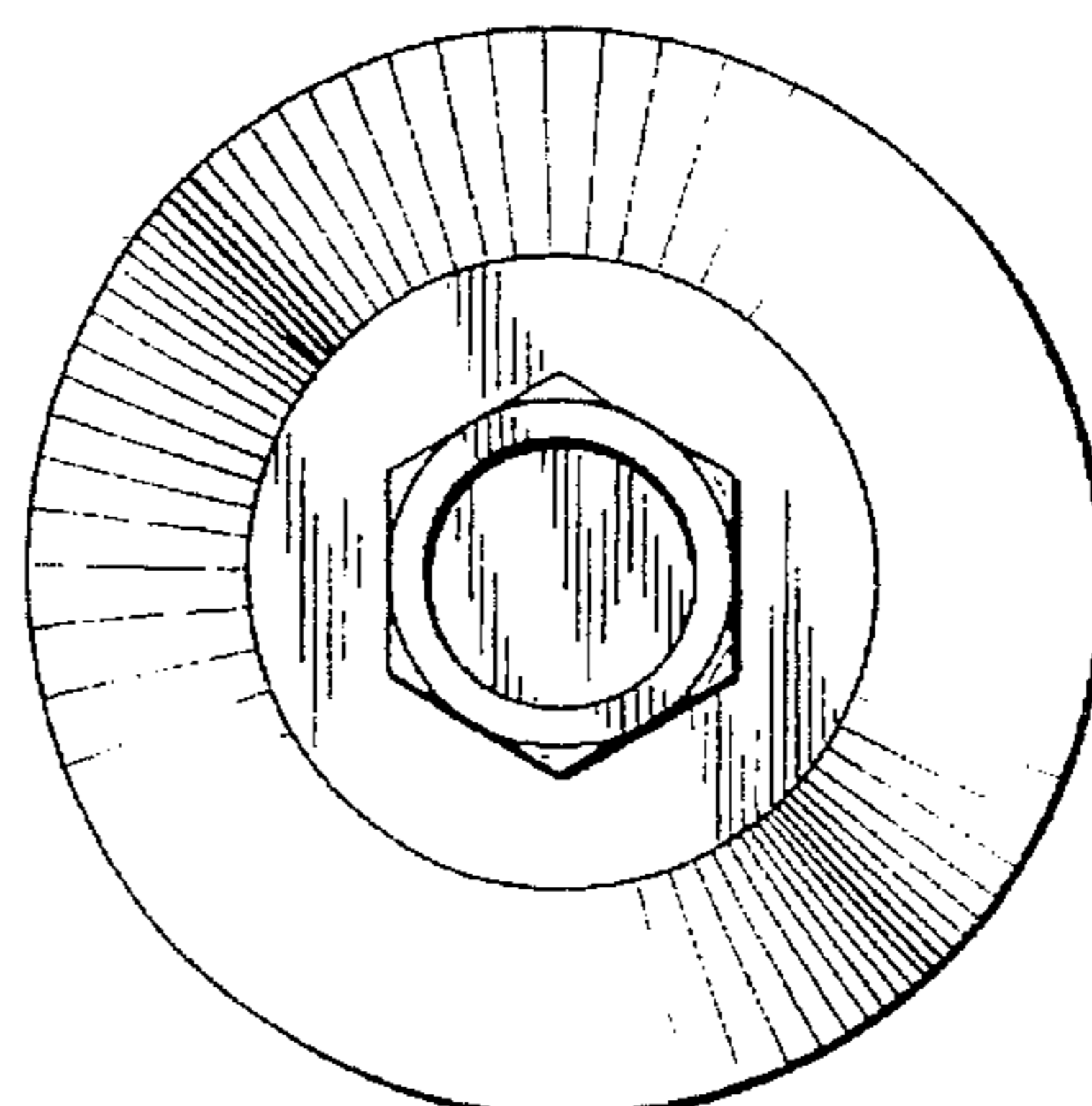


FIG. 5

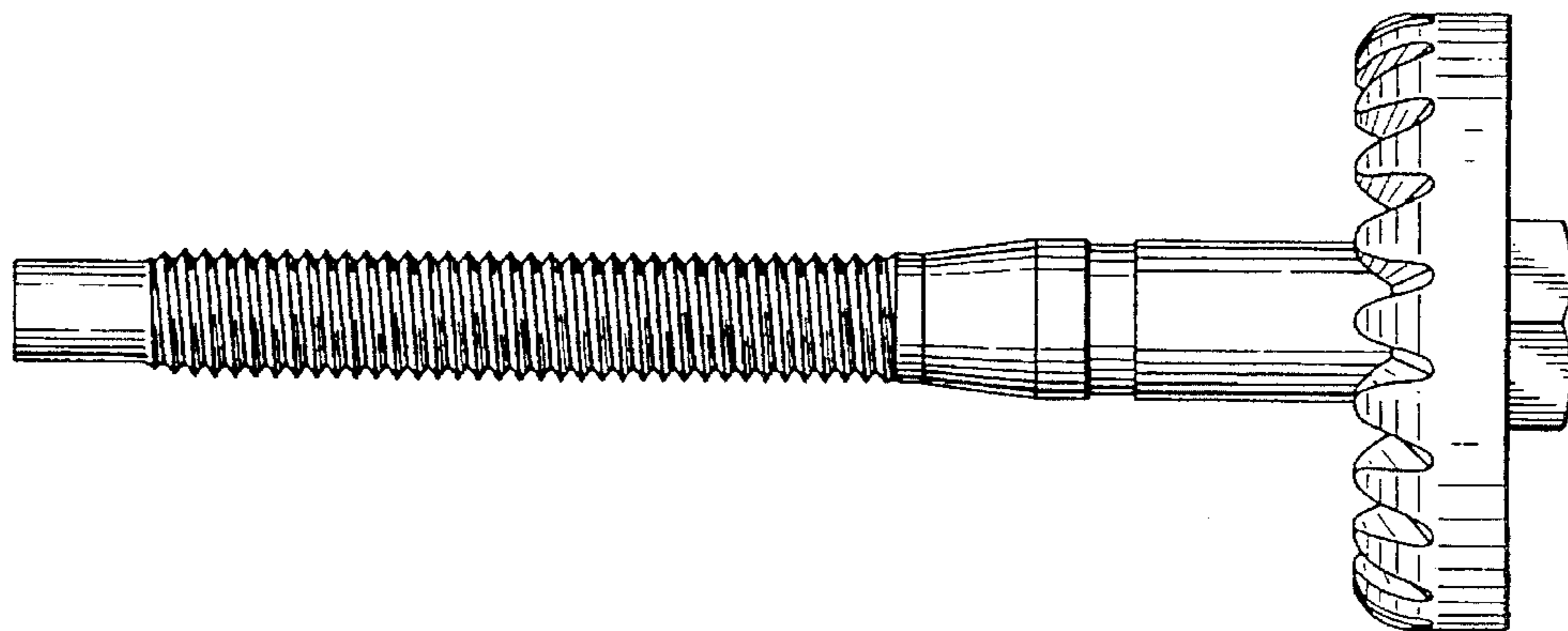


FIG. 6

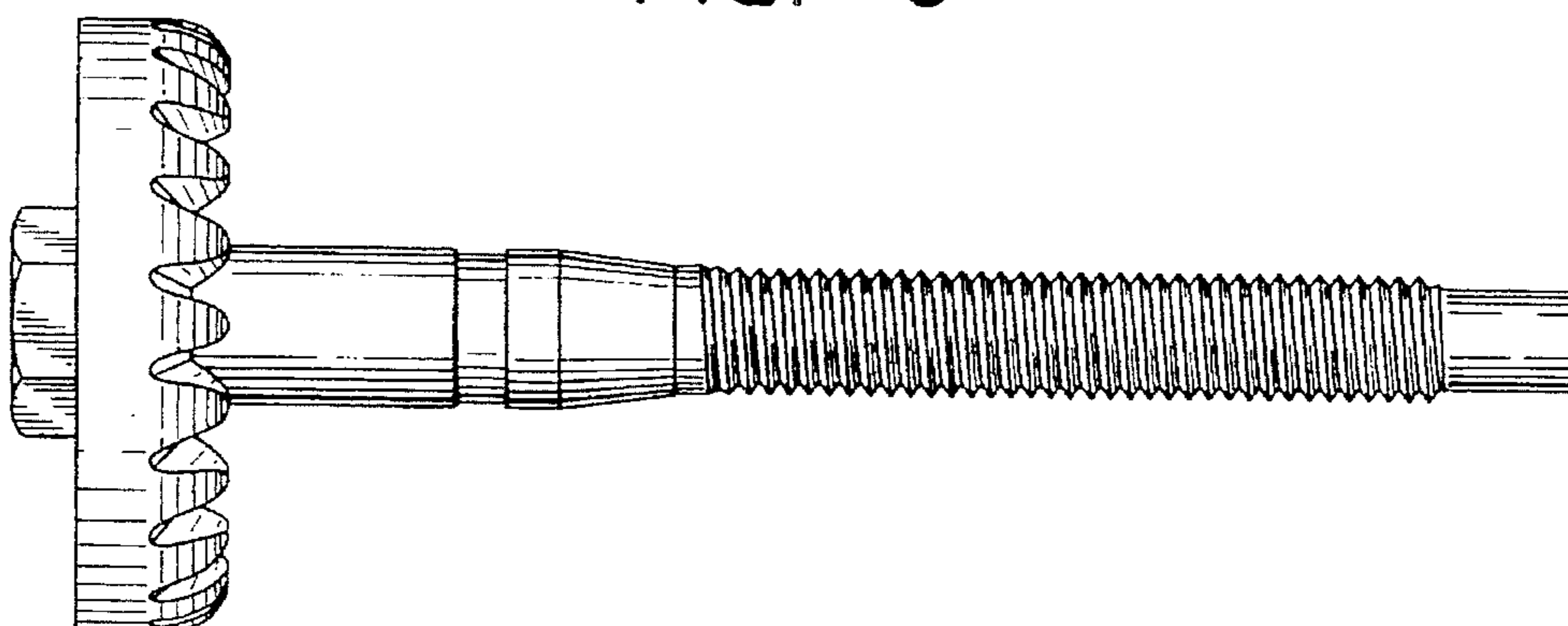


FIG. 7

