



US00D368017S

United States Patent [19]

[11] Patent Number: **Des. 368,017**

McDowell et al.

[45] Date of Patent: ****Mar. 19, 1996**

[54] **RHINOCEROS HOOK**

D. 360,573 7/1995 Adams D8/367
2,765,998 10/1956 Engert 248/29

[75] Inventors: **Sean McDowell; Tim Cunningham; Christopher Stygar; Matthew Beale**, all of Pittsburgh, Pa.

Primary Examiner—A. Hugo Word
Assistant Examiner—Holly Baynham
Attorney, Agent, or Firm—Buchanan Ingersoll; Lynn J. Alstadt

[73] Assignee: **Adams Mfg. Corp.**, Portersville, Pa.

[**] Term: **14 Years**

[57] CLAIM

[21] Appl. No.: **33,506**

An ornamental design for a rhinoceros hook, as shown and described.

[22] Filed: **Jan. 13, 1995**

[52] U.S. Cl. **D8/367**

[58] Field of Search D8/367; D21/74,
D21/148; D11/100, 49, 31; D1/107; 248/301,
304, 339; D6/323

DESCRIPTION

[56] References Cited

U.S. PATENT DOCUMENTS

- D. 82,750 12/1930 Miles D21/74
- D. 267,455 1/1983 Cohen .
- D. 281,574 12/1985 Chap D8/363
- D. 305,251 12/1989 Bateman et al. D21/148
- D. 305,431 1/1990 Adams D8/367
- D. 321,078 10/1991 Myers, Jr. et al. D1/107

FIG. 1 is a front perspective view of our design for a rhinoceros hook;
 FIG. 2 is a front view thereof;
 FIG. 3 is a rear view thereof with the broken line showing of magnets being for illustrative purposes only and forming no part of the claimed design;
 FIG. 4 is a top view thereof;
 FIG. 5 is a left side view thereof; and,
 FIG. 6 is a bottom view thereof.
 A right side view of the hook is a mirror image of FIG. 5.

1 Claim, 2 Drawing Sheets

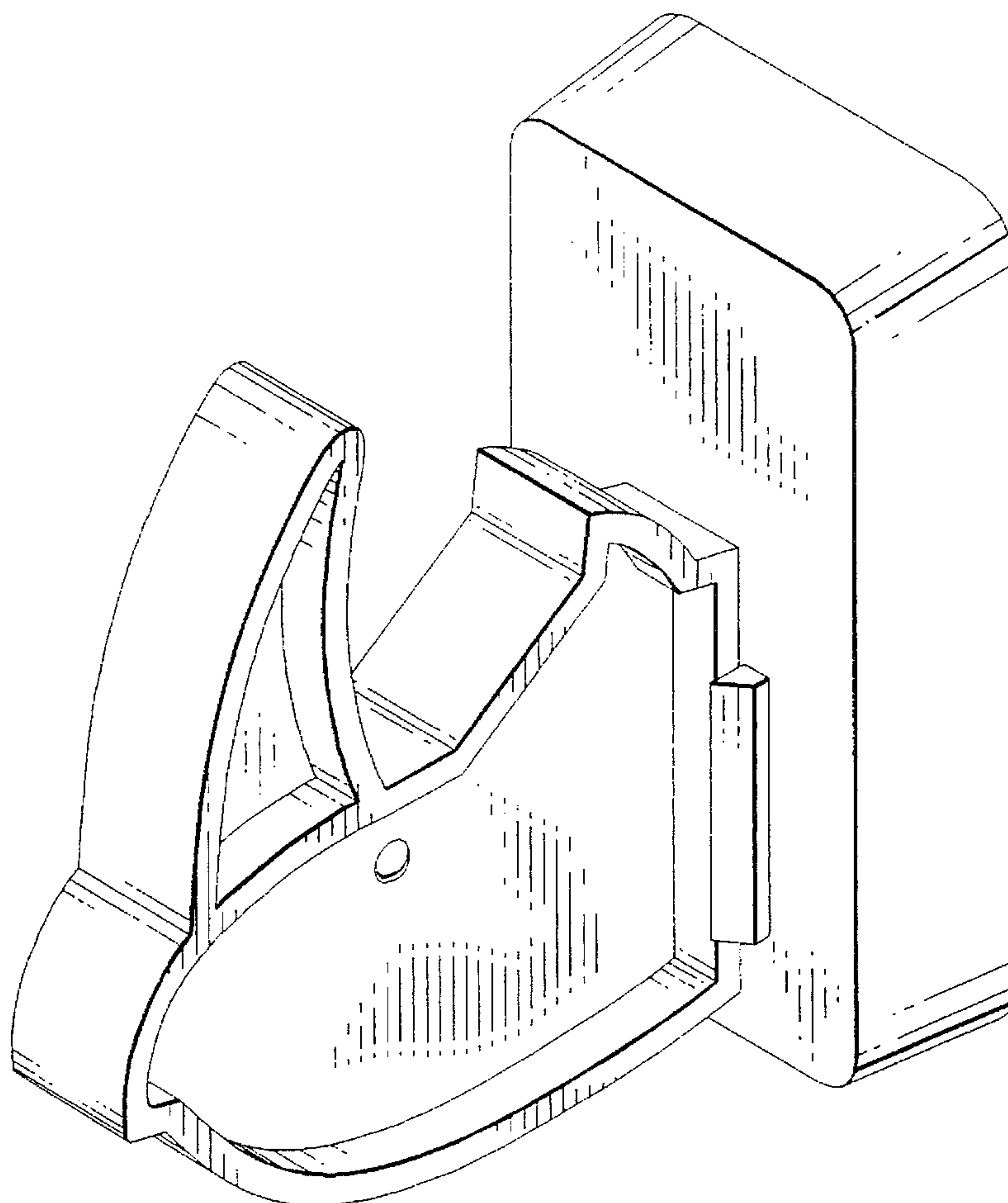


FIG. 1

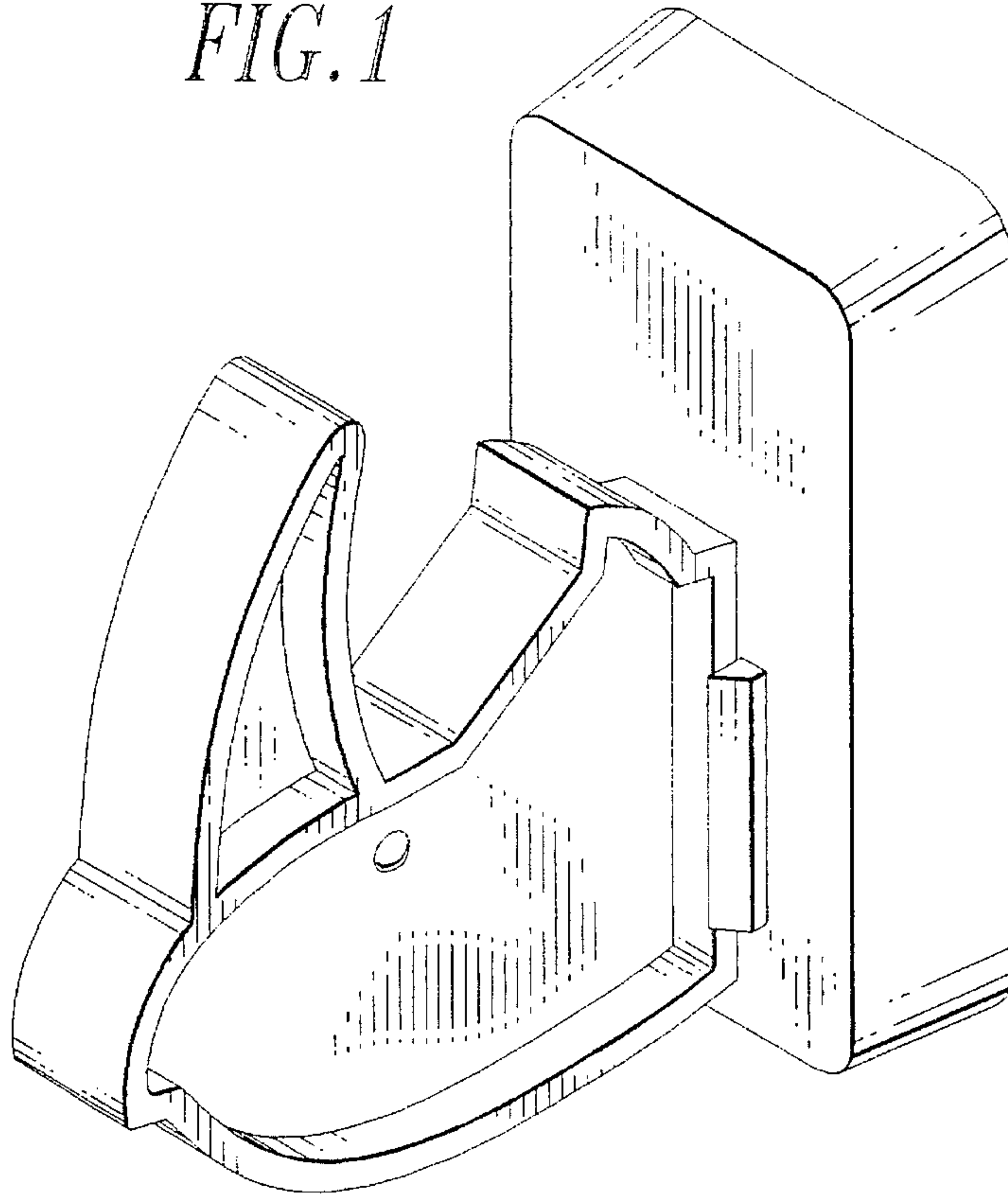


FIG. 2

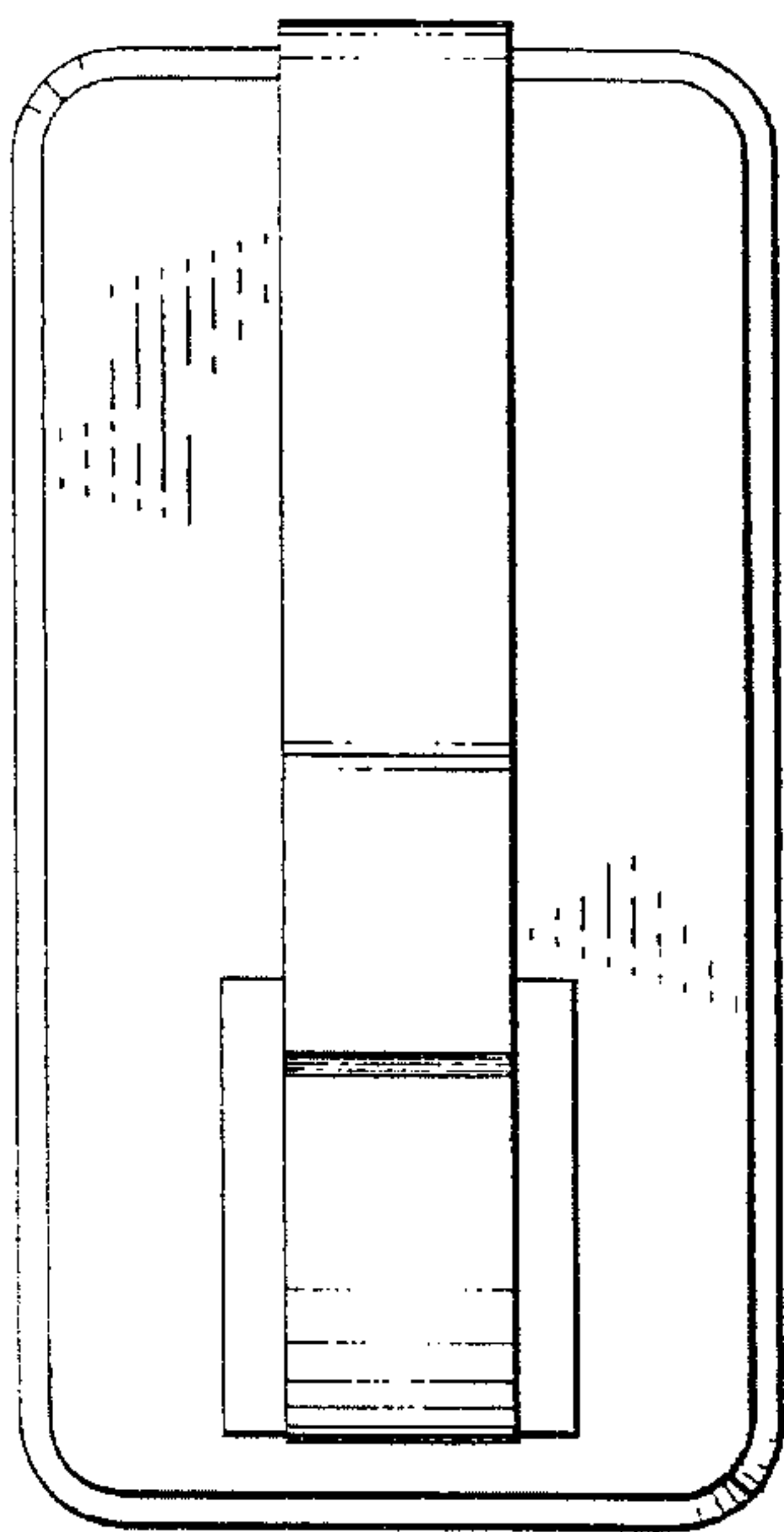


FIG. 3

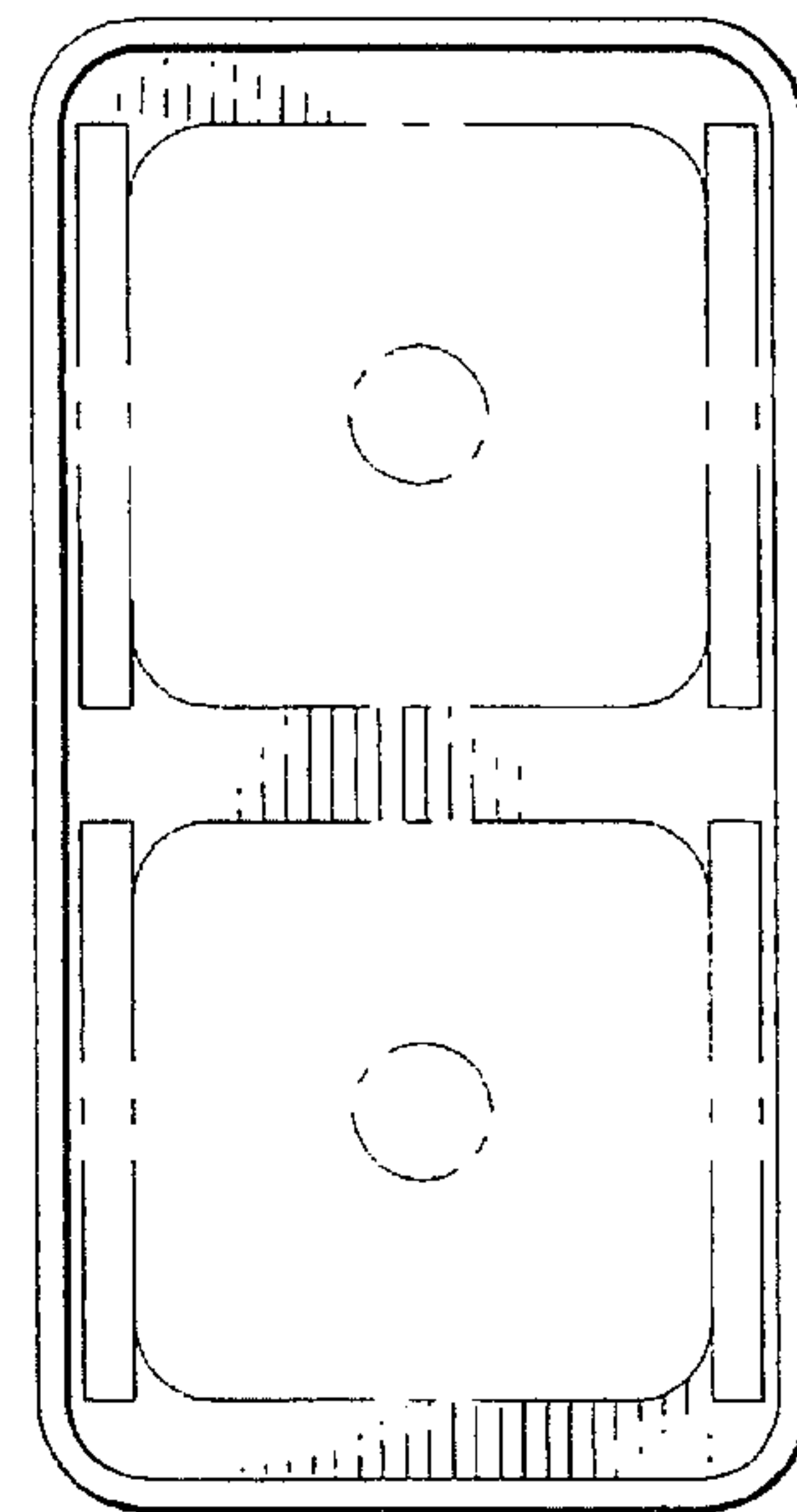


FIG. 4



FIG. 5

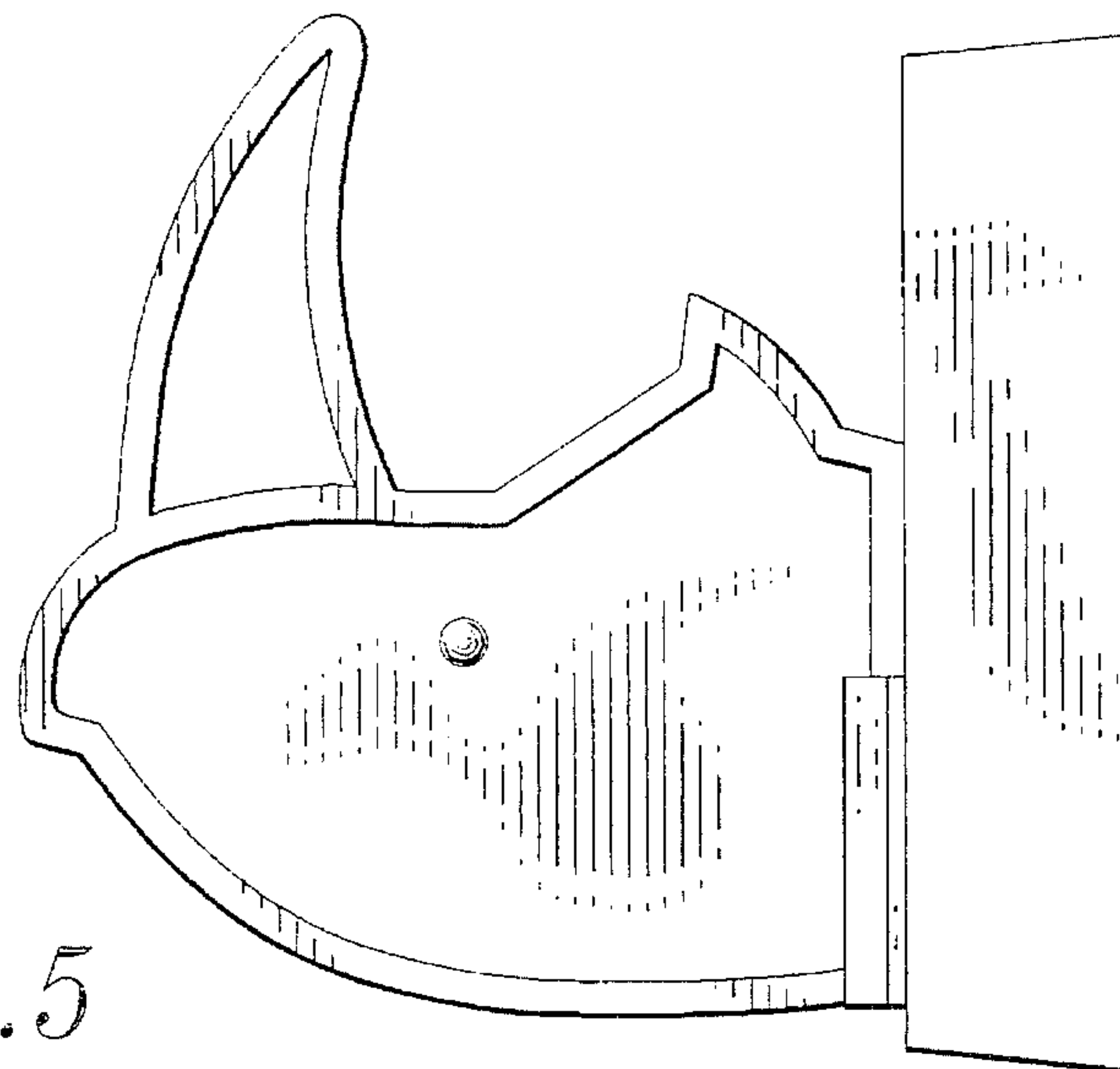


FIG. 6

