



US00D368016S

United States Patent [19]
McDowell et al.

[11] **Patent Number: Des. 368,016**
[45] **Date of Patent: **Mar. 19, 1996**

- [54] **ELEPHANT HOOK**
- [75] Inventors: **Sean McDowell; Tim Cunningham; Christopher Stygar; Matthew Beale**, all of Pittsburgh, Pa.
- [73] Assignee: **Adams Mfg. Corp.**, Portersville, Pa.
- [**] Term: **14 Years**
- [21] Appl. No.: **33,498**
- [22] Filed: **Jan. 13, 1995**
- [52] **U.S. Cl.** **D8/367**
- [58] **Field of Search** **D8/367; D21/74, D21/148; D11/100, 49, 31; D1/107; 248/301, 304, 339; D6/323**

D. 360,573 7/1995 Adams D8/367
2,765,998 10/1956 Engert 248/29

Primary Examiner—A. Hugo Word
Assistant Examiner—Holly Baynham
Attorney, Agent, or Firm—Buchanan Ingersoll; Lynn J. Alstadt

[57] **CLAIM**

An ornamental design for an elephant hook, as shown and described.

DESCRIPTION

FIG. 1 is a front perspective view of our design for an elephant hook;
FIG. 2 is a front view thereof;
FIG. 3 is a rear view thereof with the broken line showing of magnets being for illustrative purposes only and forming no part of the claimed design;
FIG. 4 is a top view thereof;
FIG. 5 is a left side view thereof; and,
FIG. 6 is a bottom view thereof.
A right side view of the hook is a mirror image of FIG. 5.

- [56] **References Cited**
- U.S. PATENT DOCUMENTS**
- D. 267,455 1/1983 Cohen .
- D. 281,574 12/1985 Chap D8/363
- D. 305,254 12/1989 Bateman et al. D21/162
- D. 305,431 1/1990 Adams D8/367
- D. 321,076 10/1991 Meyers, Jr. et al. D21/162 X

1 Claim, 2 Drawing Sheets

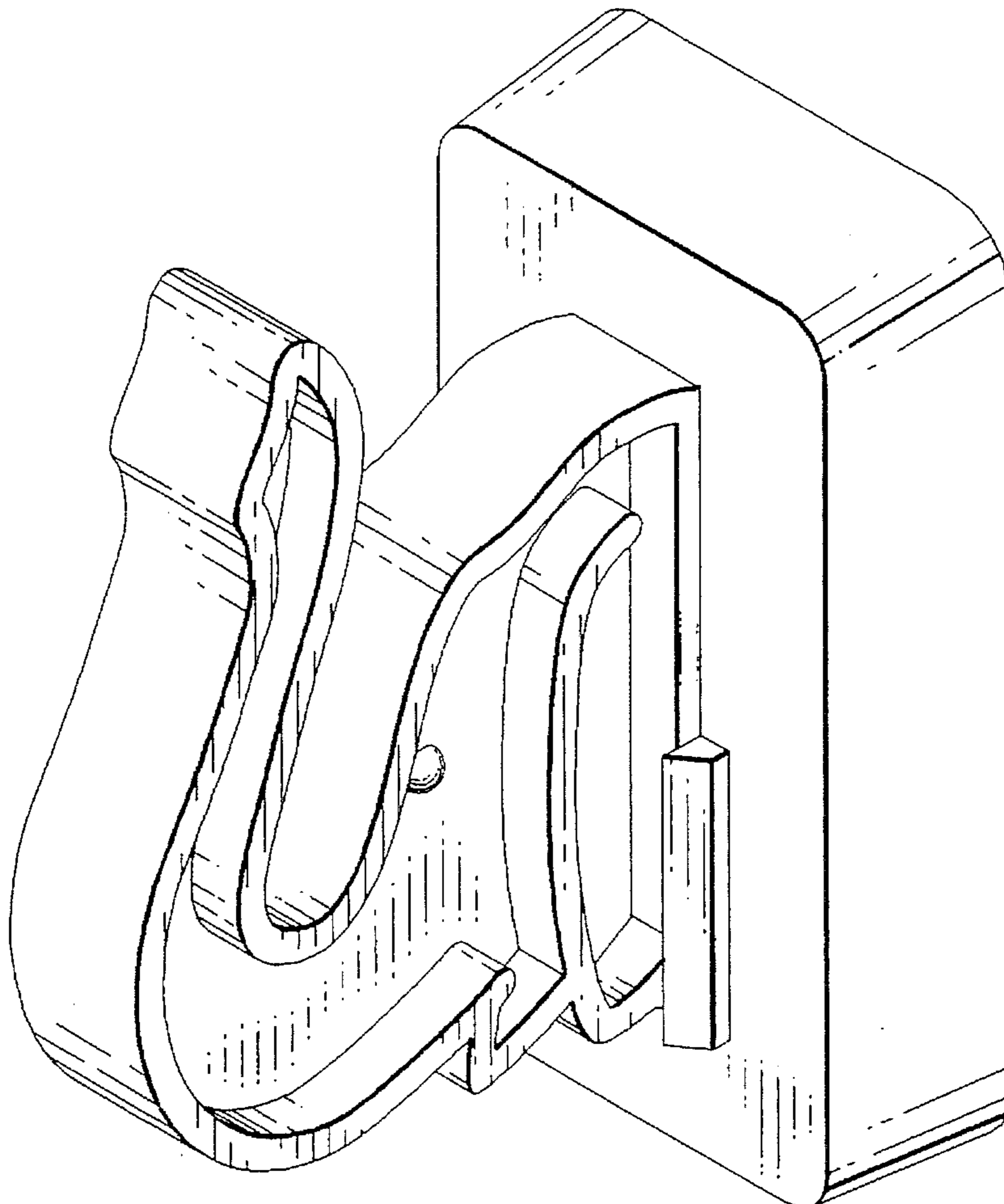


FIG. 1

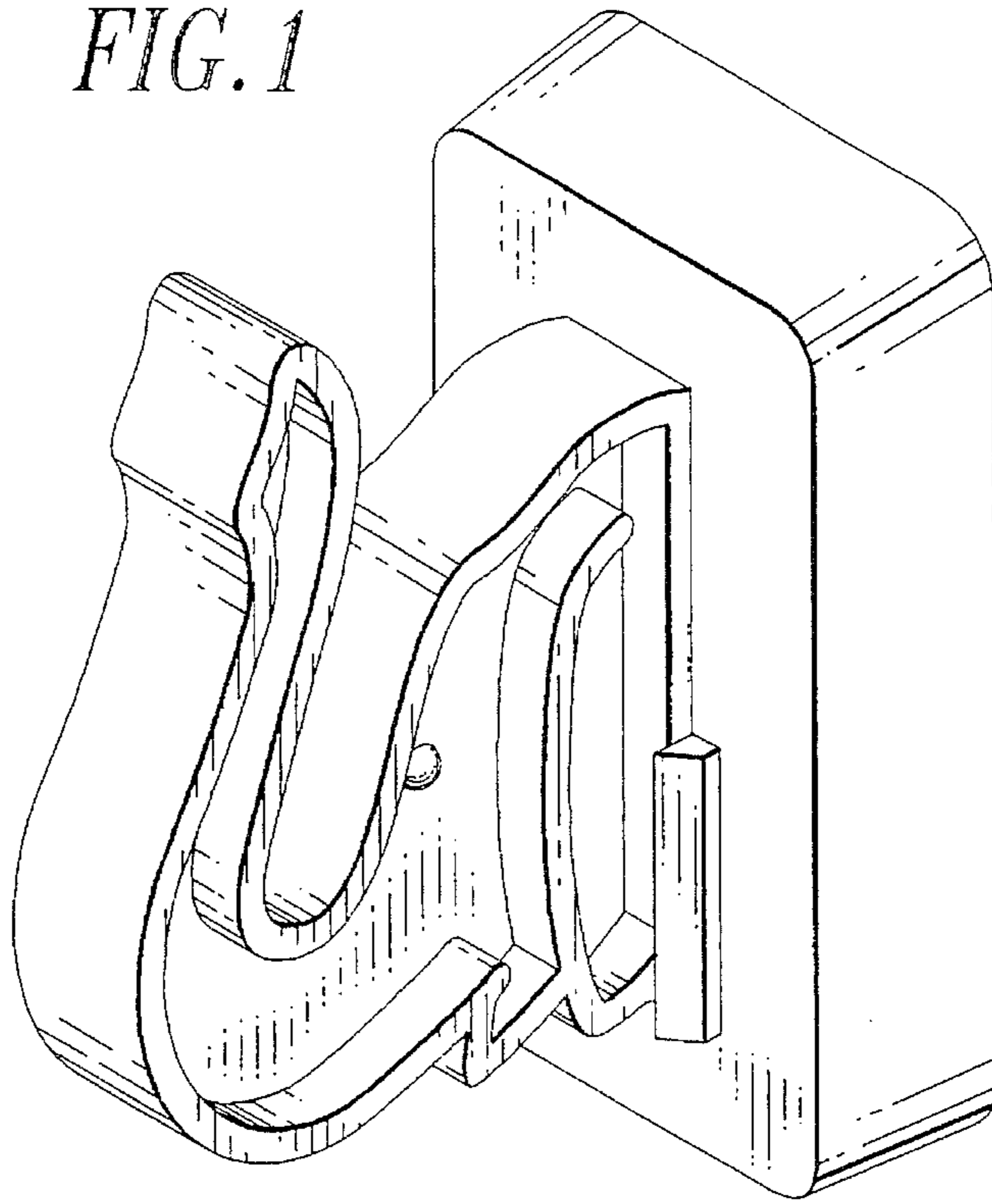


FIG. 2

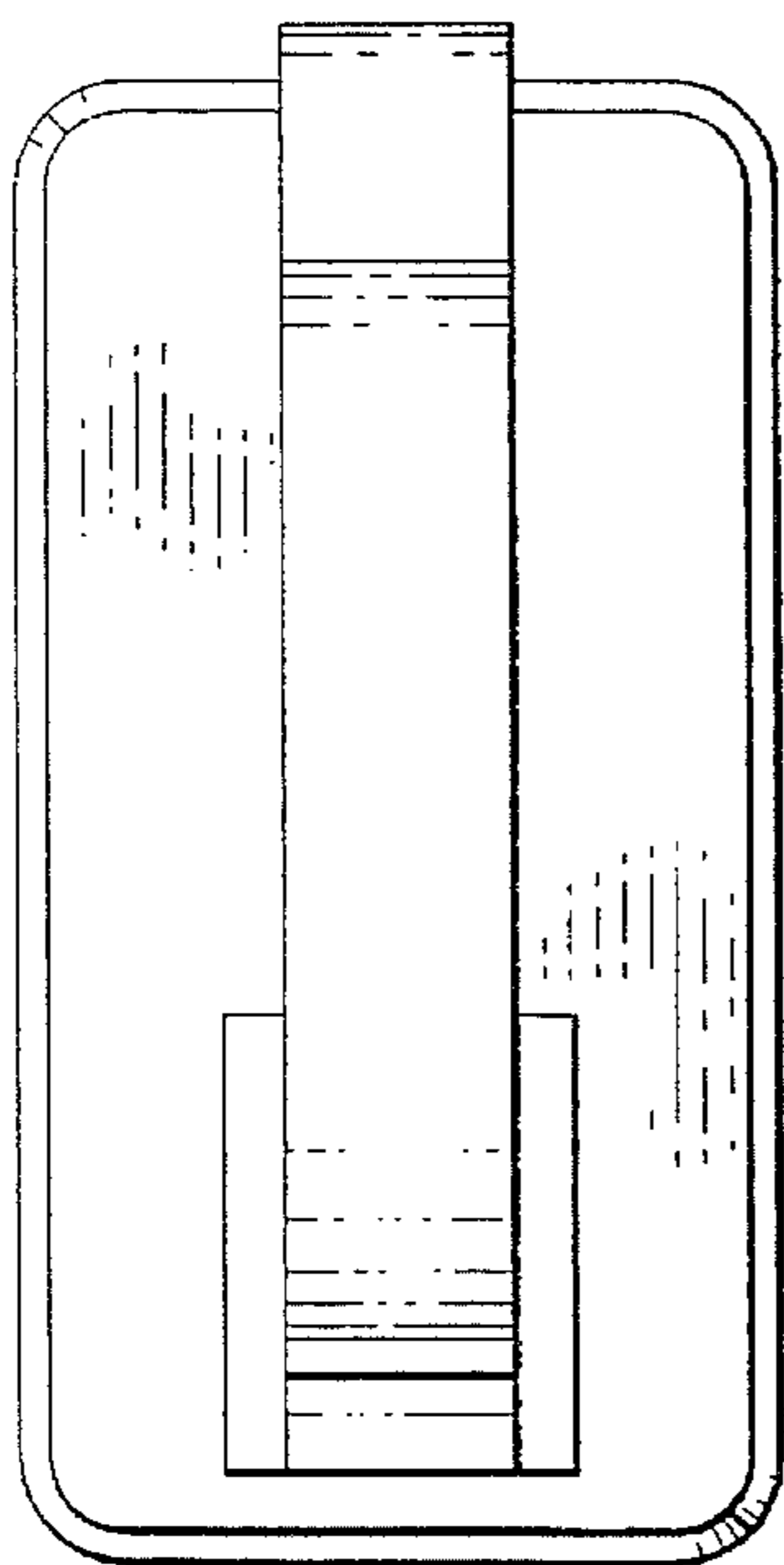


FIG. 3

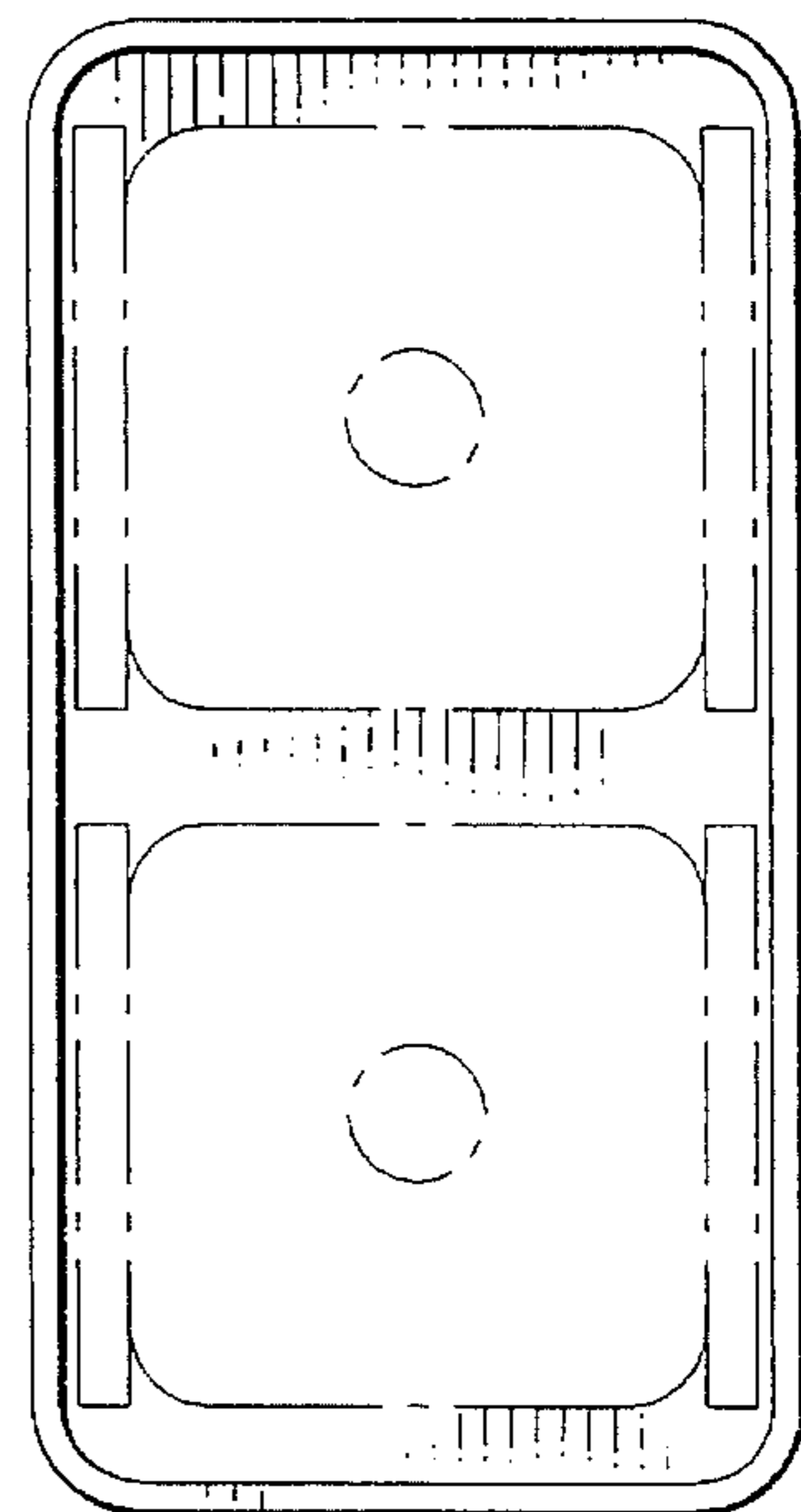


FIG. 4

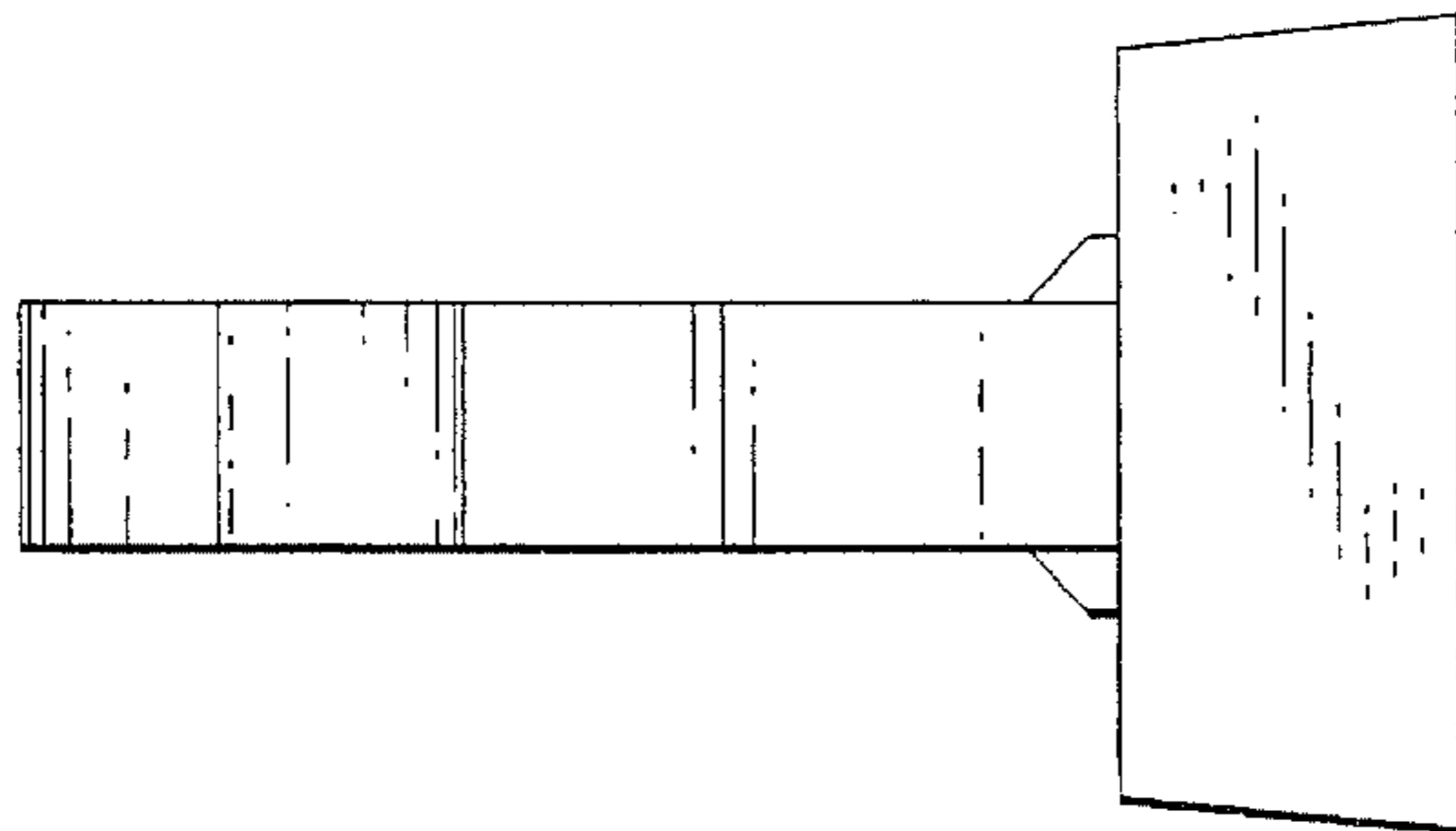


FIG. 5

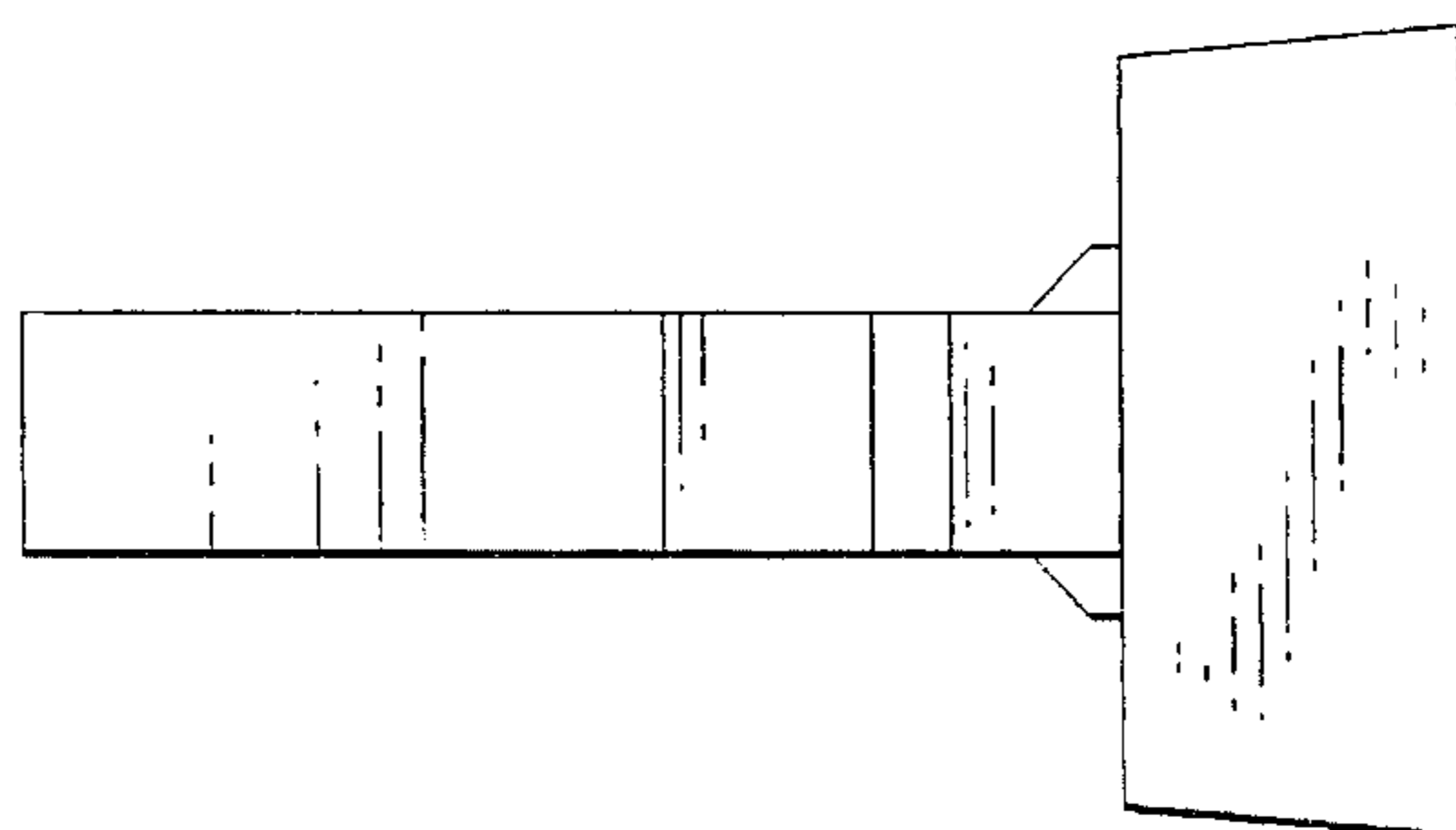
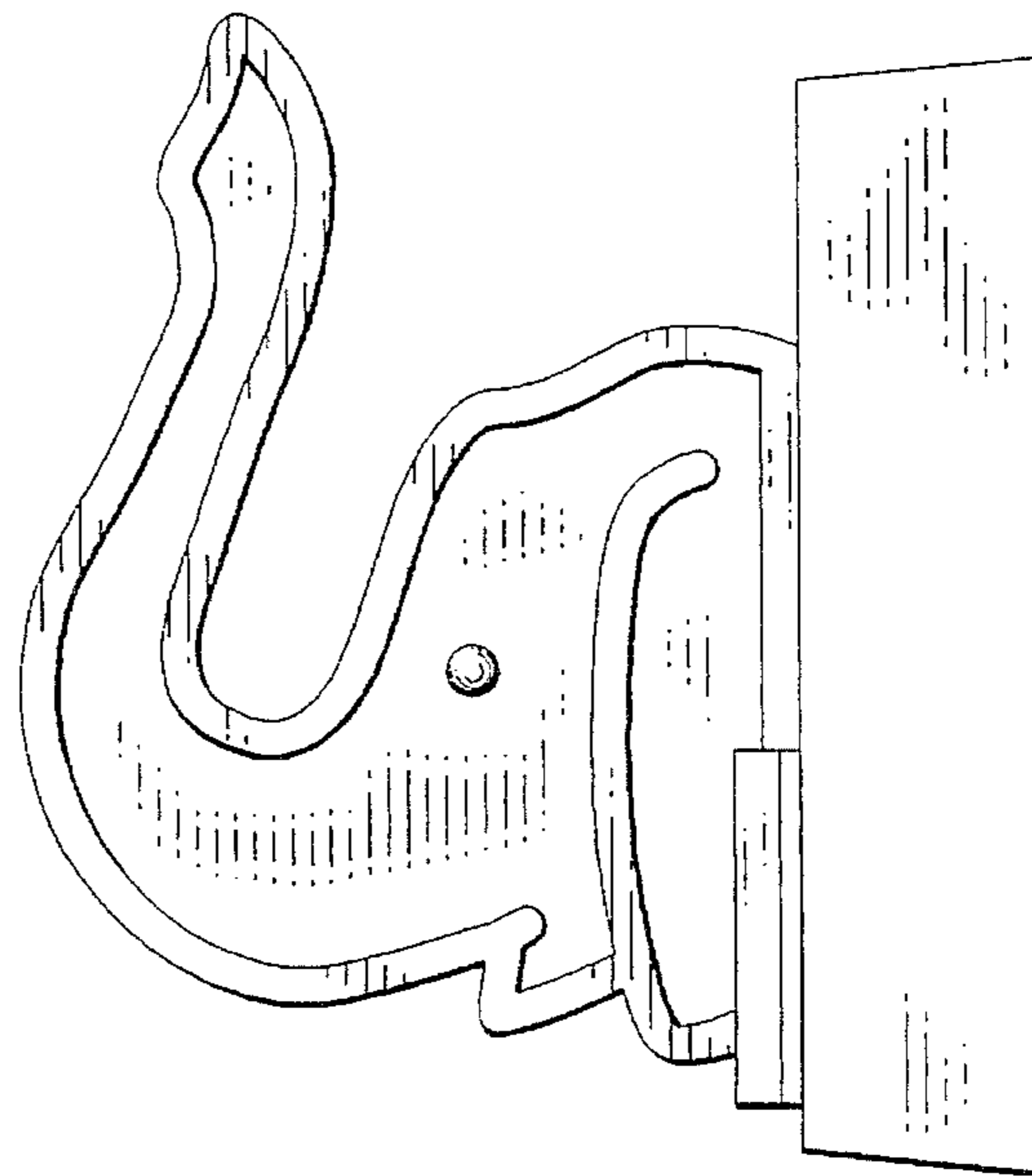


FIG. 6