



US00D368015S

United States Patent [19] Cookson

[11] **Patent Number: Des. 368,015**
[45] **Date of Patent: **Mar. 19, 1996**

[54] **FASCIA PLATE**

D. 286,740 11/1986 Larsson D8/353
D. 308,464 6/1990 Freeman et al. D8/353
4,312,458 1/1982 Stewart D8/350 X

[76] **Inventor: Charles I. Cookson**, 12 Cavendish Street, West Beach, State of South Australia, Australia

[**] **Term: 14 Years**

Primary Examiner—Ted Shooman
Assistant Examiner—Paula Mortimer
Attorney, Agent, or Firm—Pearne, Gordon, McCoy & Granger

[21] **Appl. No.: 31,525**

[57] CLAIM

[22] **Filed: Nov. 30, 1994**

The ornamental design for a fascia plate, as shown and described.

[30] Foreign Application Priority Data

DESCRIPTION

Jun. 6, 1994 [AU] Australia 1754/94

[52] **U.S. Cl. D8/353**

[58] **Field of Search** D8/350, 353; D13/177;
174/66; 220/241

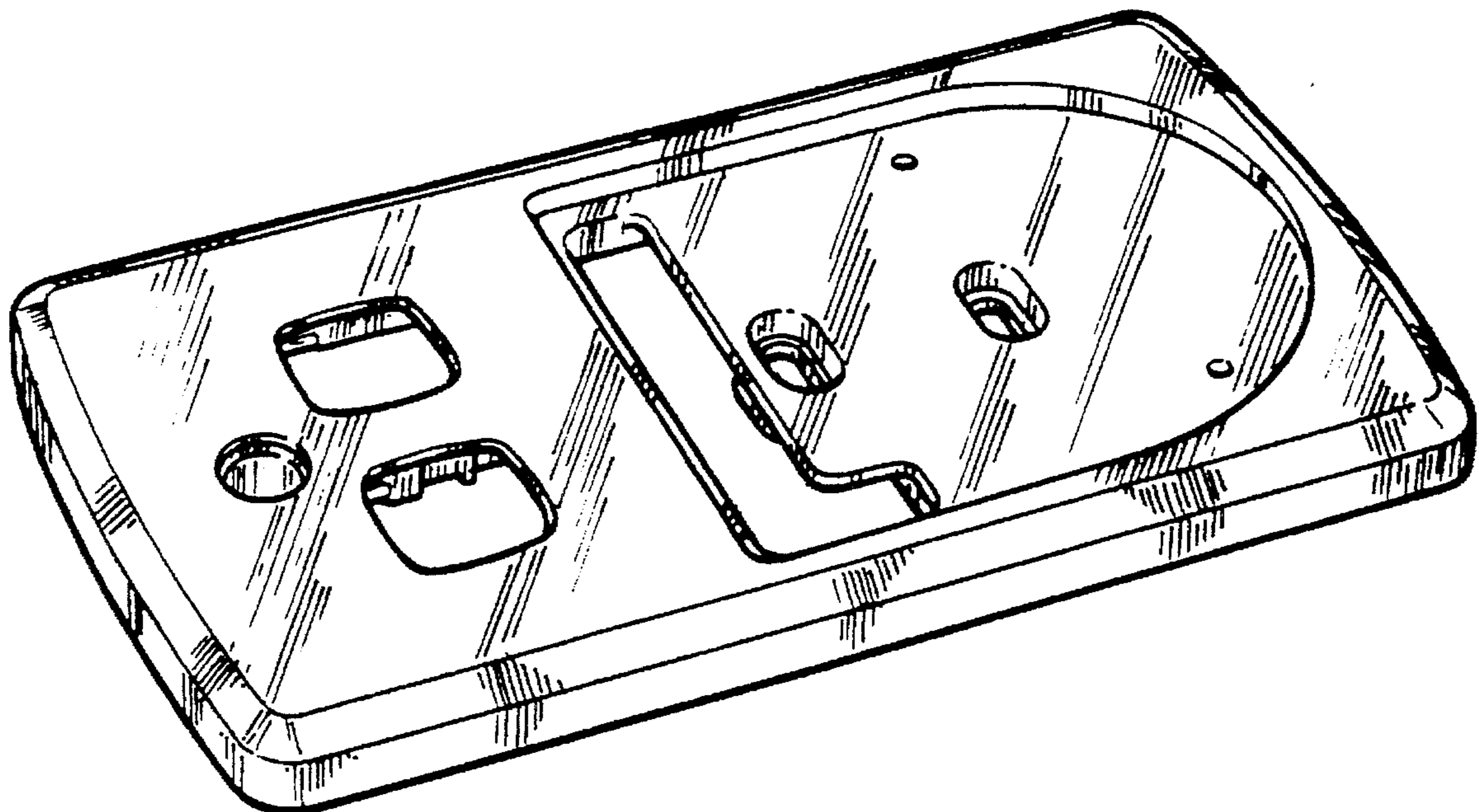
FIG. 1 is a front elevational view of a fascia plate showing my new design;
FIG. 2 is a rear elevational view thereof;
FIG. 3 is a top plan view the bottom is a mirror image;
FIG. 4 is a side elevational view thereof;
FIG. 5 is a front perspective view thereof; and,
FIG. 6 is a rear perspective view thereof.

[56] References Cited

U.S. PATENT DOCUMENTS

D. 210,536 3/1968 Paganelli D8/353
D. 238,048 12/1975 Bertoncei D8/353

1 Claim, 2 Drawing Sheets



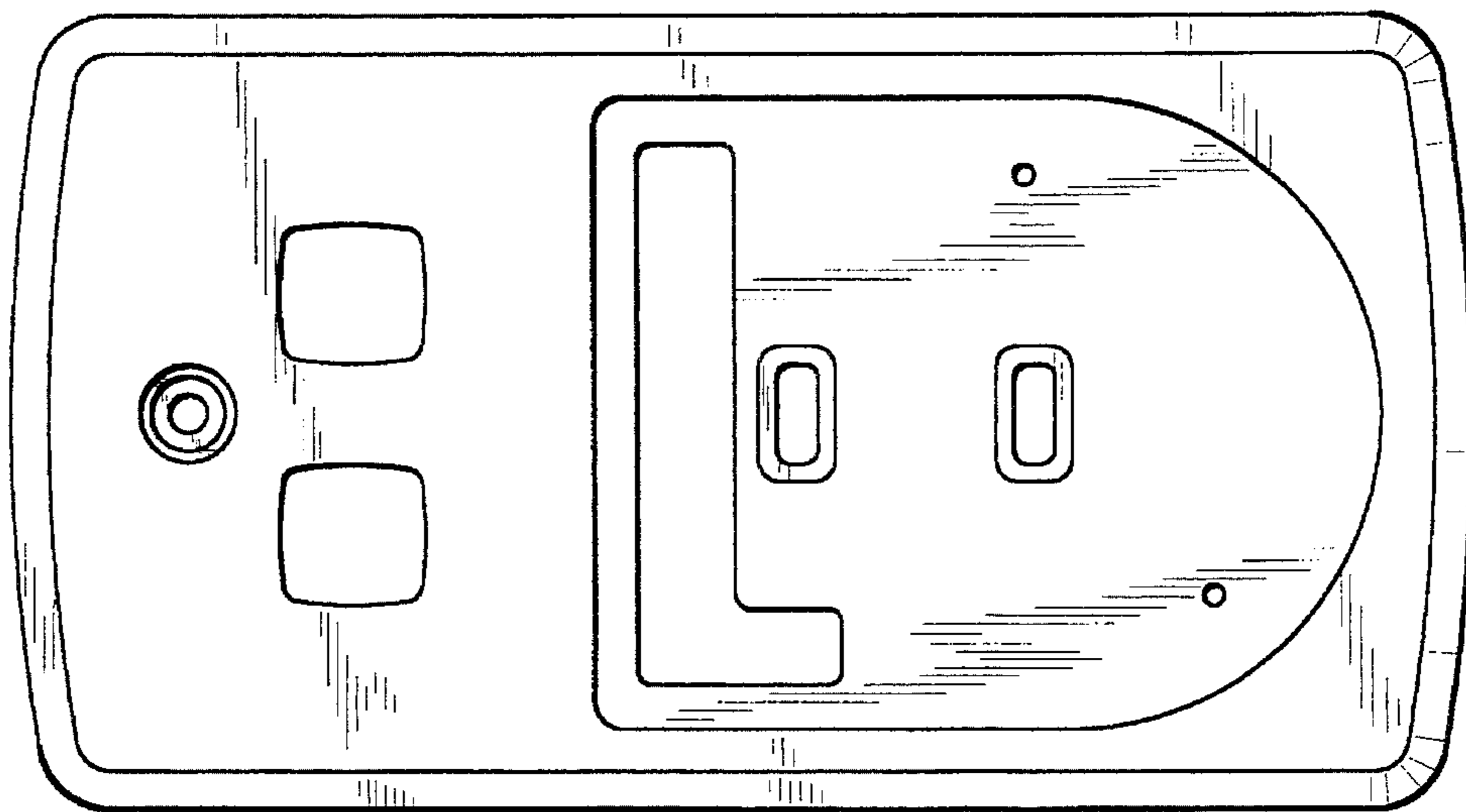


FIG 1

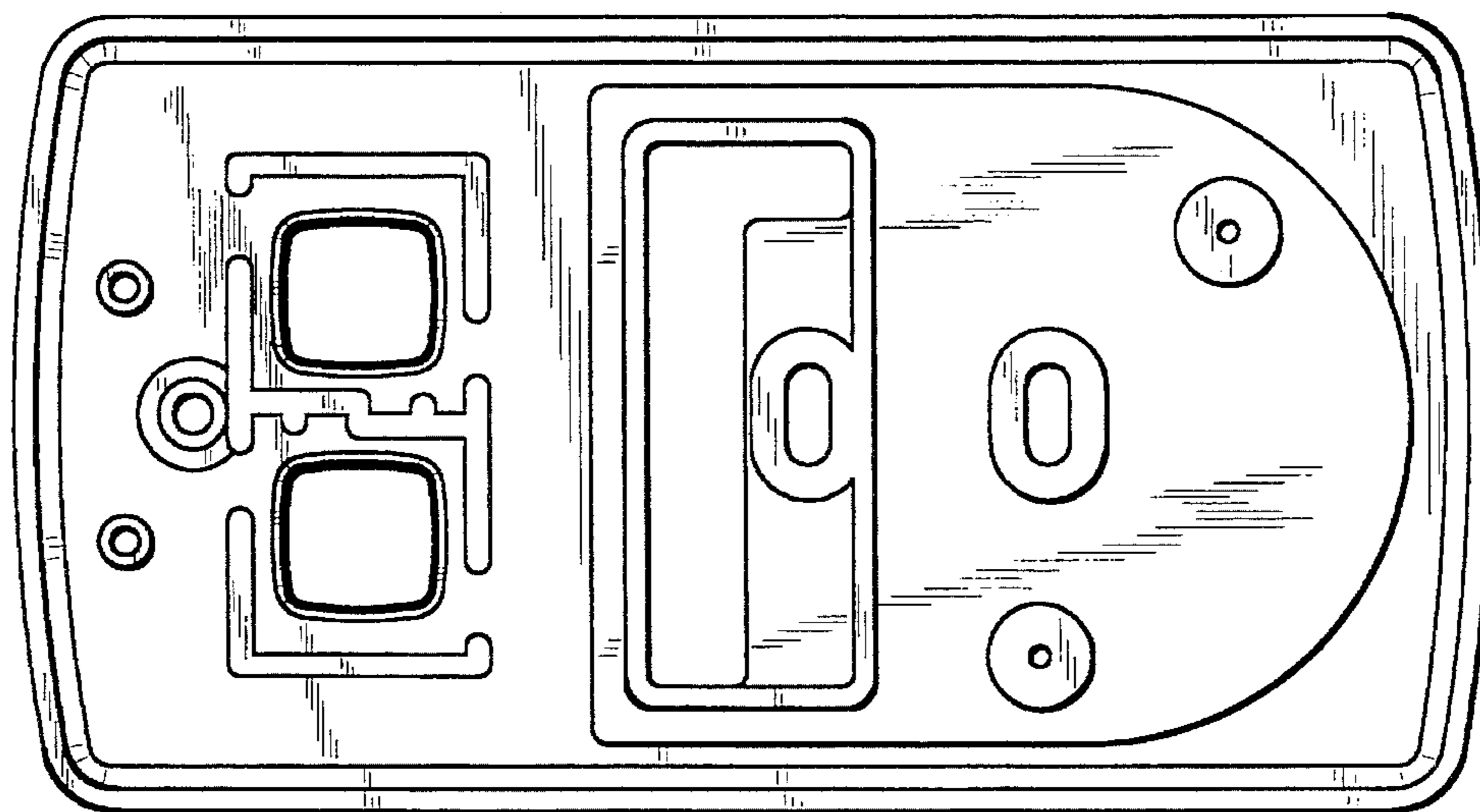


FIG 2

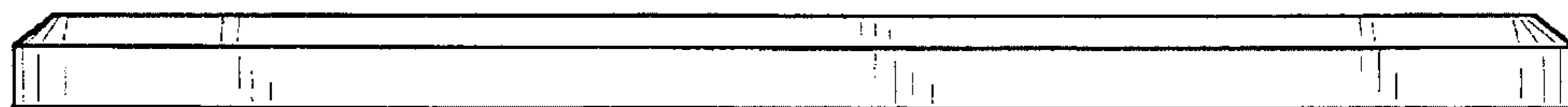


FIG 3

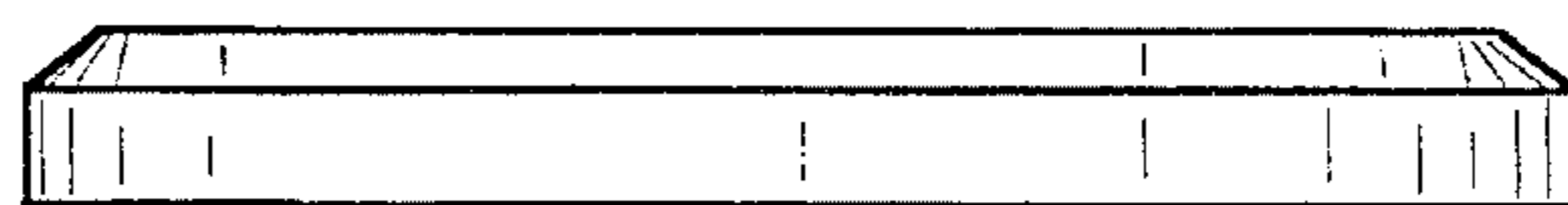


FIG 4

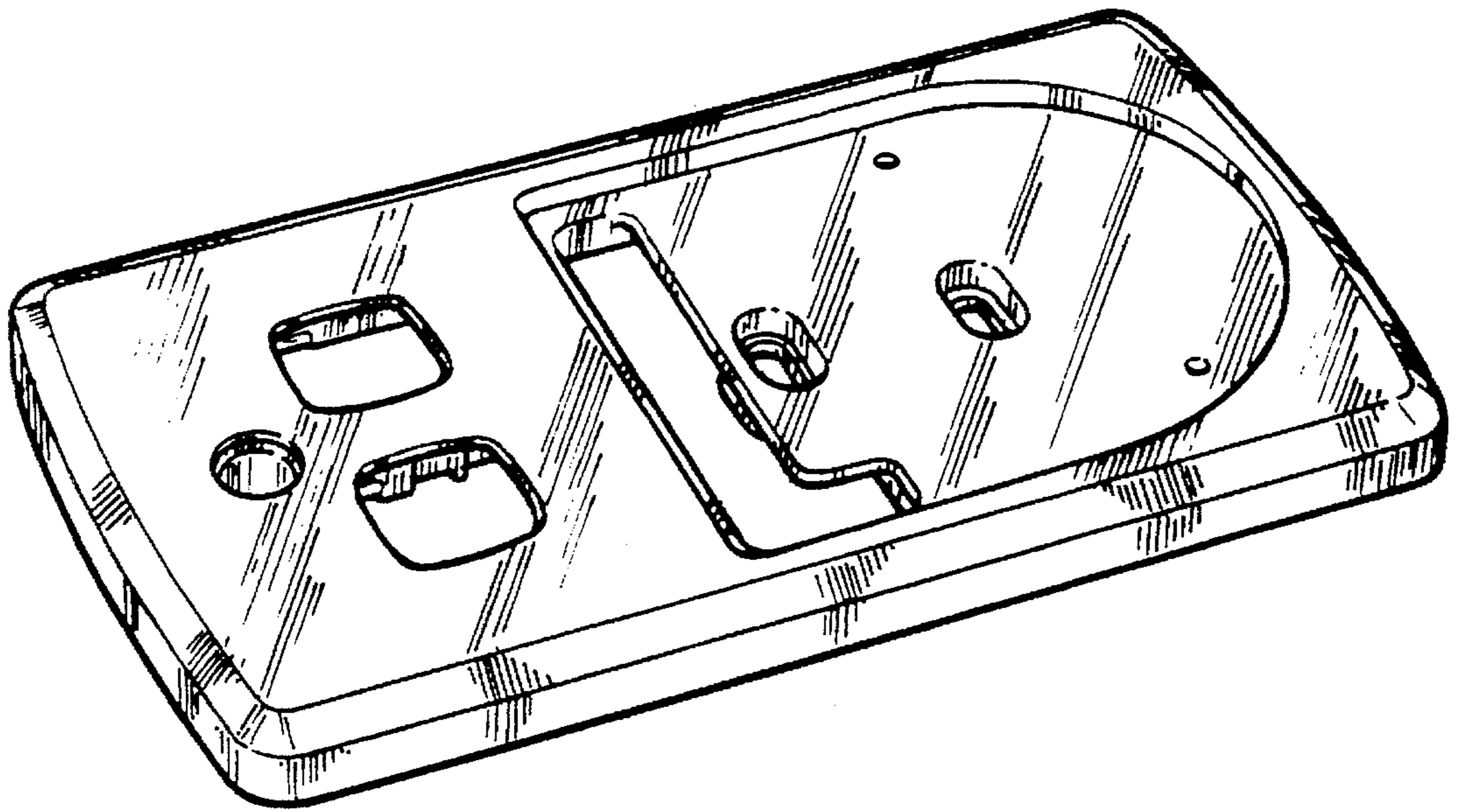


FIG 5

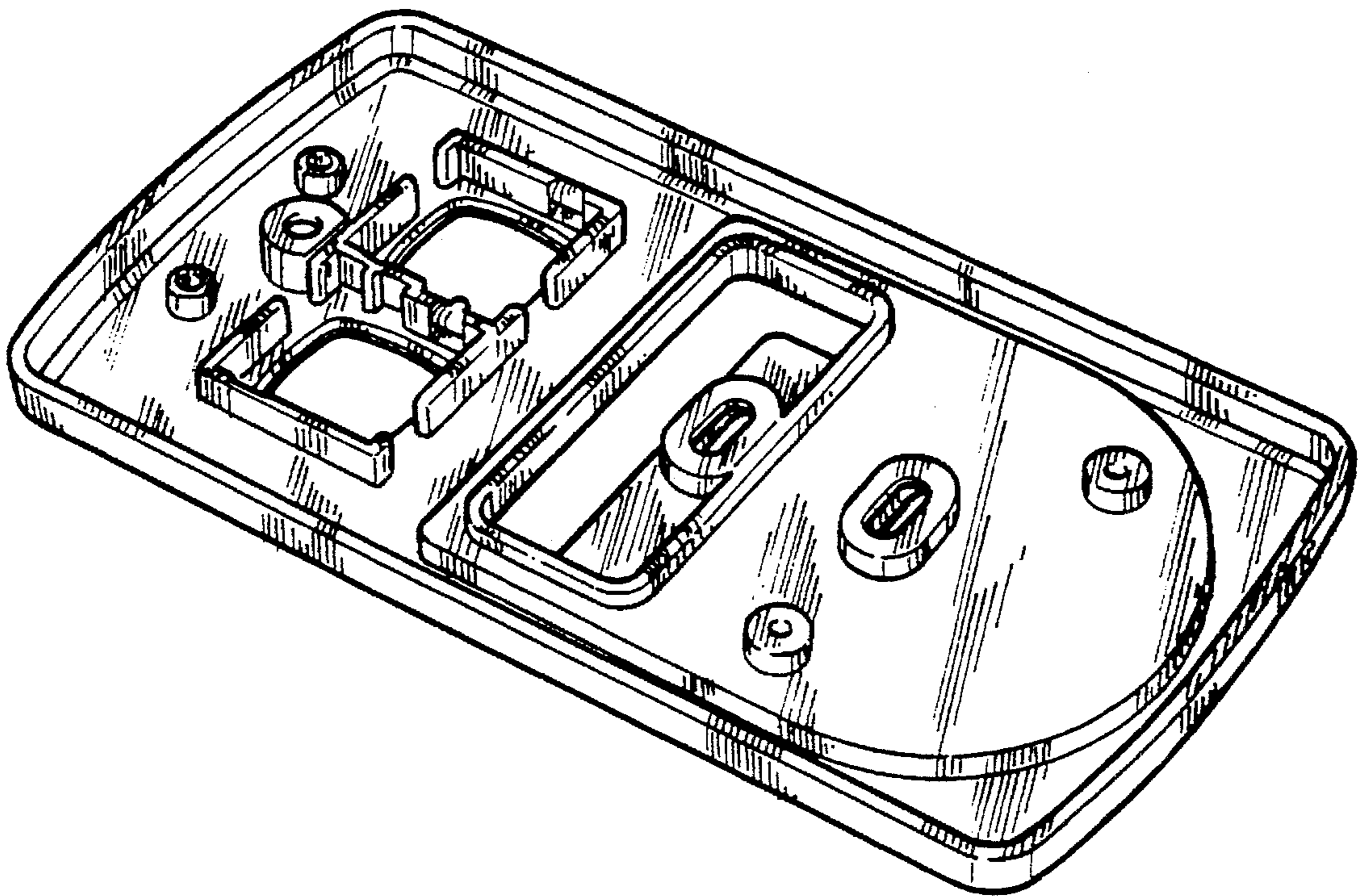


FIG 6