



US00D368013S

# United States Patent [19]

Tsai

[11] Patent Number: **Des. 368,013**

[45] Date of Patent: **\*\*Mar. 19, 1996**

[54] **EXTENDIBLE HANDLE FOR WHEELED LUGGAGE**

5,394,965 1/1995 Kho ..... 190/115

[76] Inventor: **James Tsai**, 103, Ta Ming 1 Rd., Tung Pao Tsun, Tan Tzu Hsiang, Taichung Hsien, Taiwan

*Primary Examiner*—Ted Shooman  
*Assistant Examiner*—Dominic Simone  
*Attorney, Agent, or Firm*—Bacon & Thomas

[\*\*] Term: **14 Years**

[57] **CLAIM**

The ornamental design for an extendible handle for wheeled luggage, as shown and described.

[21] Appl. No.: **31,232**

[22] Filed: **Nov. 15, 1994**

[52] U.S. Cl. .... **D8/313**; D3/318

[58] **Field of Search** ..... D8/300, 313; D3/276, D3/279, 318; 190/115, 119, 18 A; 16/110 R, 114 R, 116 R, DIG. 18, DIG. 19; 70/DIG. 73; 74/543, 545; 81/489; 292/DIG. 6, DIG. 68

**DESCRIPTION**

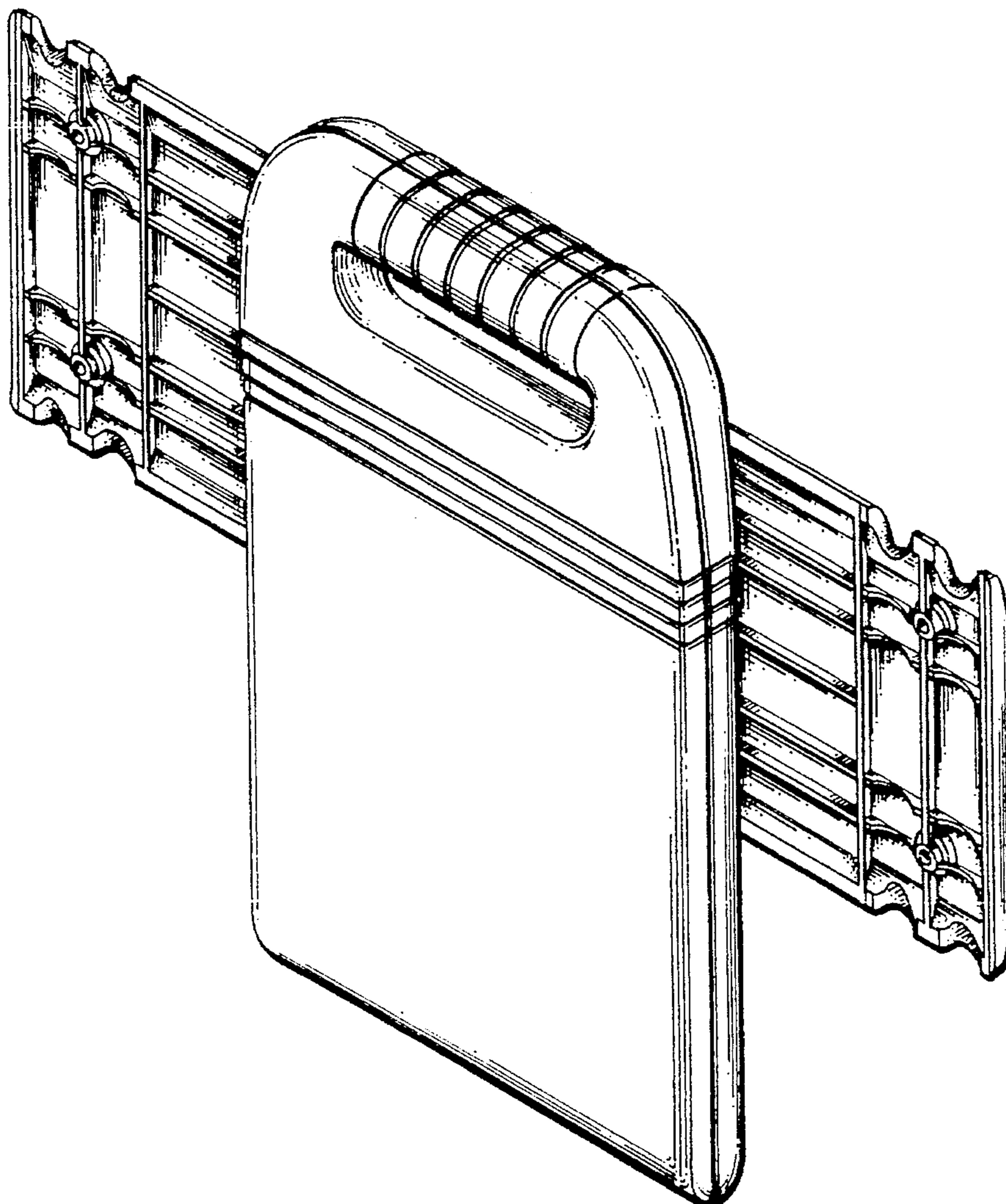
FIG. 1 is a perspective view of a extendible handle for wheeled luggage showing the new design; FIG. 2 is a front elevation view thereof; FIG. 3 is a rear elevation view thereof; FIG. 4 is a right side elevation view thereof; FIG. 5 is a left side elevation view thereof; FIG. 6 is a top plan view thereof; and, FIG. 7 is a bottom plan view.

[56] **References Cited**

**U.S. PATENT DOCUMENTS**

D. 354,396 1/1995 Löwenstein ..... D3/279 X  
5,048,649 9/1991 Carpenter et al. .... 190/115 X

**1 Claim, 3 Drawing Sheets**



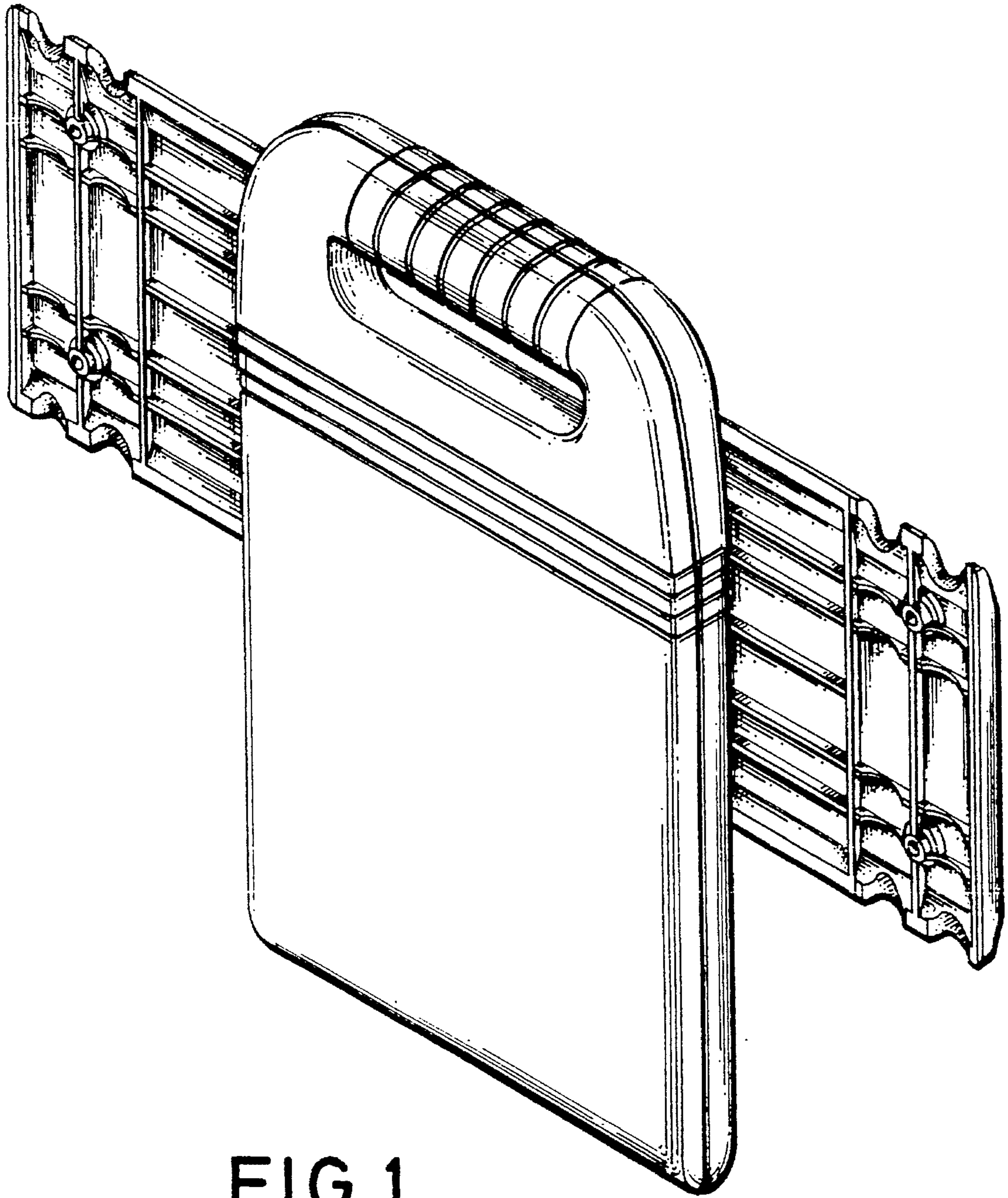


FIG. 1

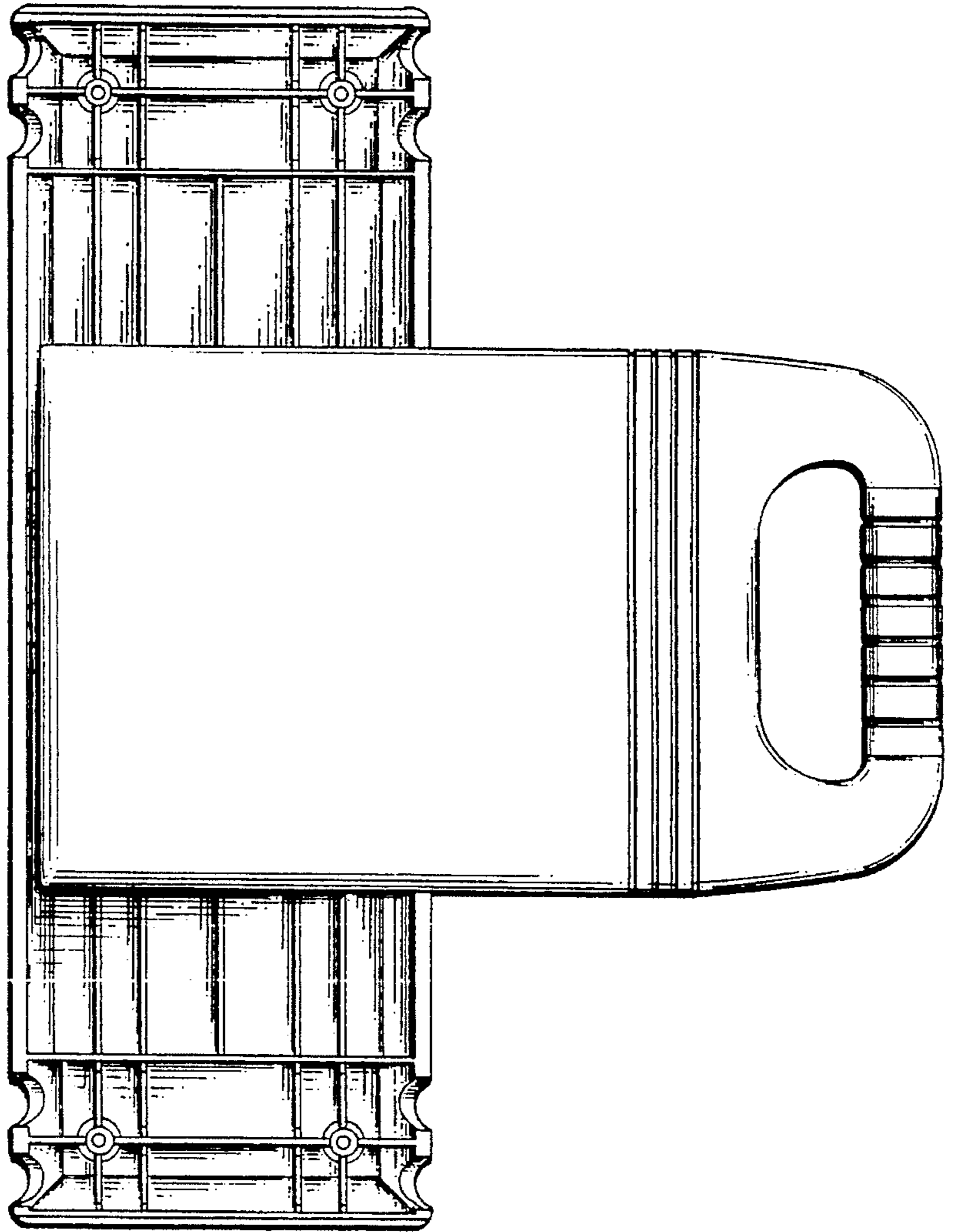


FIG. 2

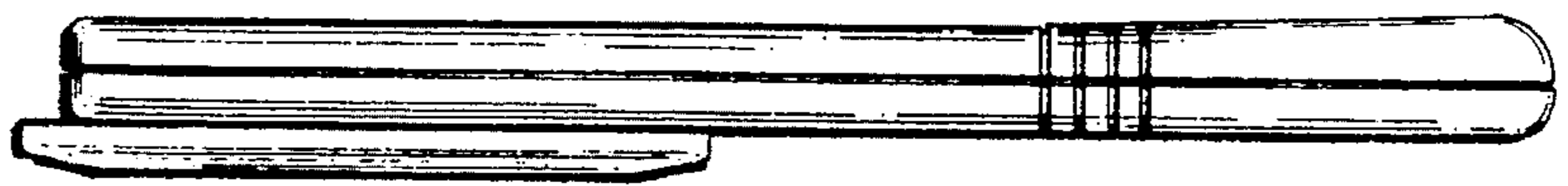


FIG. 4



FIG. 6

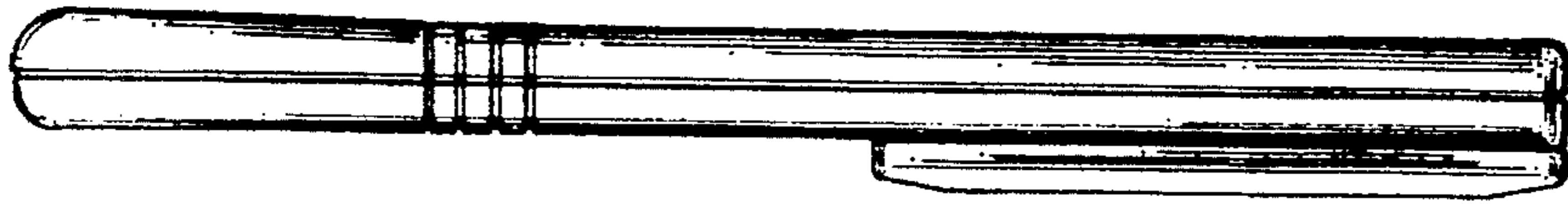


FIG. 5

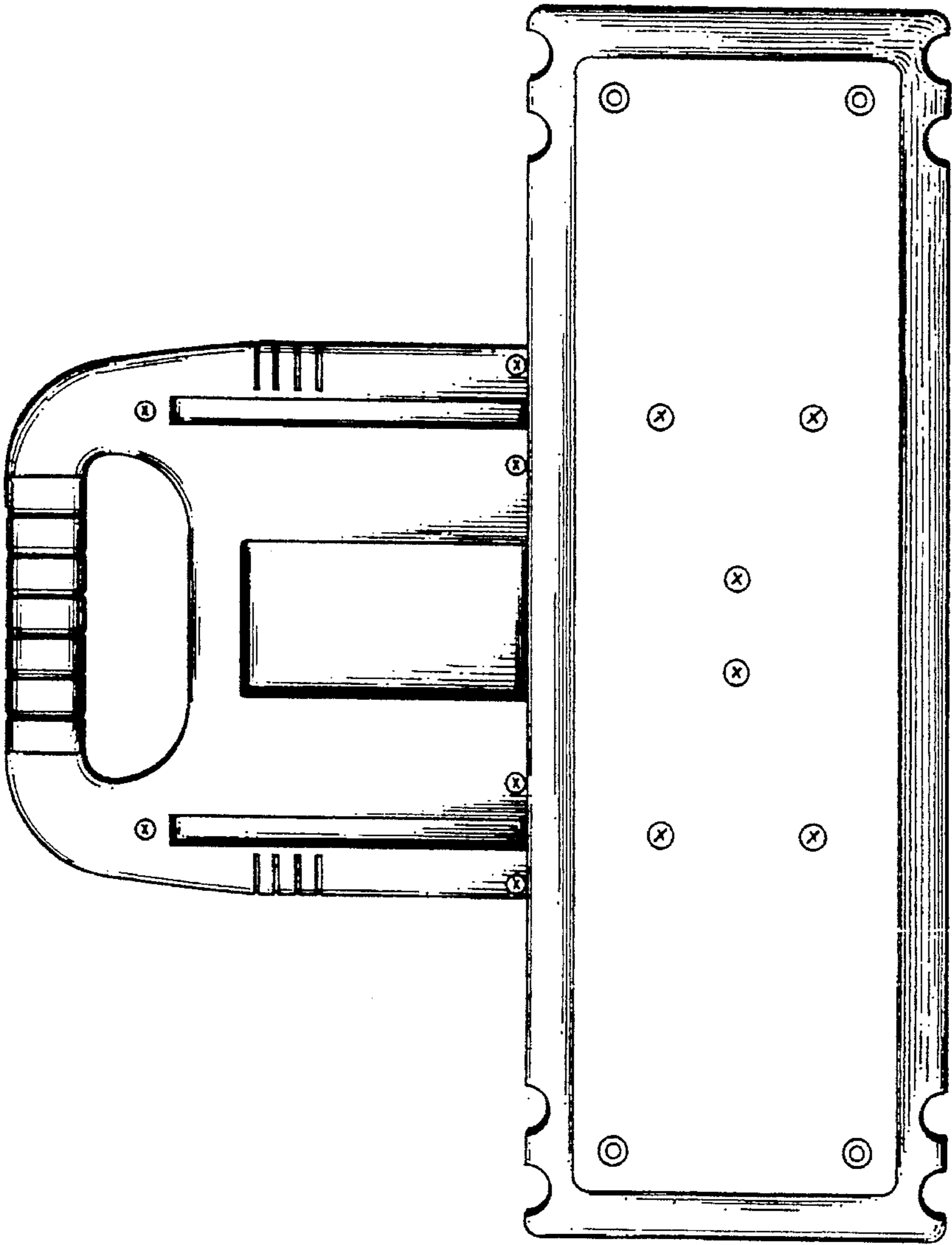


FIG. 3

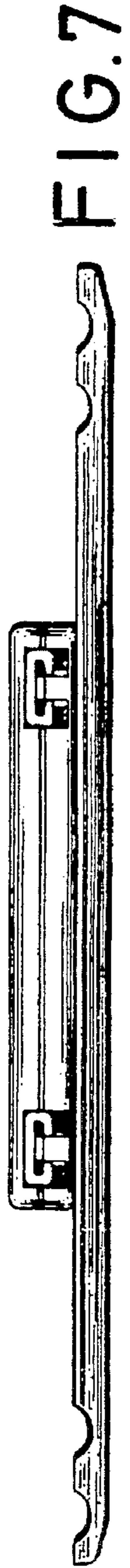


FIG. 7