



US00D368012S

United States Patent [19]

[11] Patent Number: **Des. 368,012**

Dickinson et al.

[45] Date of Patent: ****Mar. 19, 1996**

[54] **HOLLOW HANDLE**

[75] Inventors: **Thomas Dickinson; Bradley D. Gale,**
both of St. Louis, Mo.

[73] Assignee: **Contico International, Inc.,** St. Louis,
Mo.

[**] Term: **14 Years**

[21] Appl. No.: **30,903**

[22] Filed: **Nov. 14, 1994**

[52] U.S. Cl. **D8/306; D3/318**

[58] Field of Search **D8/300, 306, 313;**
D3/276, 281, 318; 190/115, 116; 116/110 R,
114 R, 116 R, DIG. 18, DIG. 19

[56] **References Cited**

U.S. PATENT DOCUMENTS

- D. 110,213 6/1938 Hazenberg .
- D. 144,638 5/1946 Stewart .
- D. 147,878 11/1947 Stevens .
- D. 157,778 3/1950 Neumann .
- D. 179,716 2/1957 Burtchaell D8/306
- D. 186,507 11/1959 Neff .
- D. 188,524 8/1960 Finkelstein .
- D. 205,349 7/1966 Clayton .
- D. 235,730 7/1975 Bush .

- D. 248,821 8/1978 Poe .
- D. 274,784 7/1984 Pelauin et al. D8/306
- D. 301,201 5/1989 King .
- D. 335,810 5/1993 Asien .
- 3,009,551 11/1961 Kotkins 190/115
- 4,127,915 12/1978 Logan et al. 16/114 R
- 5,144,719 9/1992 Arthur D8/306 X

Primary Examiner—Ted Shooman
Assistant Examiner—Dominic Simone
Attorney, Agent, or Firm—Rogers, Howell & Haferkamp

[57] CLAIM

The ornamental design for a hollow handle, as shown and described.

DESCRIPTION

FIG. 1 is an orthographic projection of a hollow handle showing our new design, the handle being shown with reference to a container shown in dashed lines to which the handle is attached;

FIG. 2 is a front elevation view thereof;

FIG. 3 is a rear elevation view thereof;

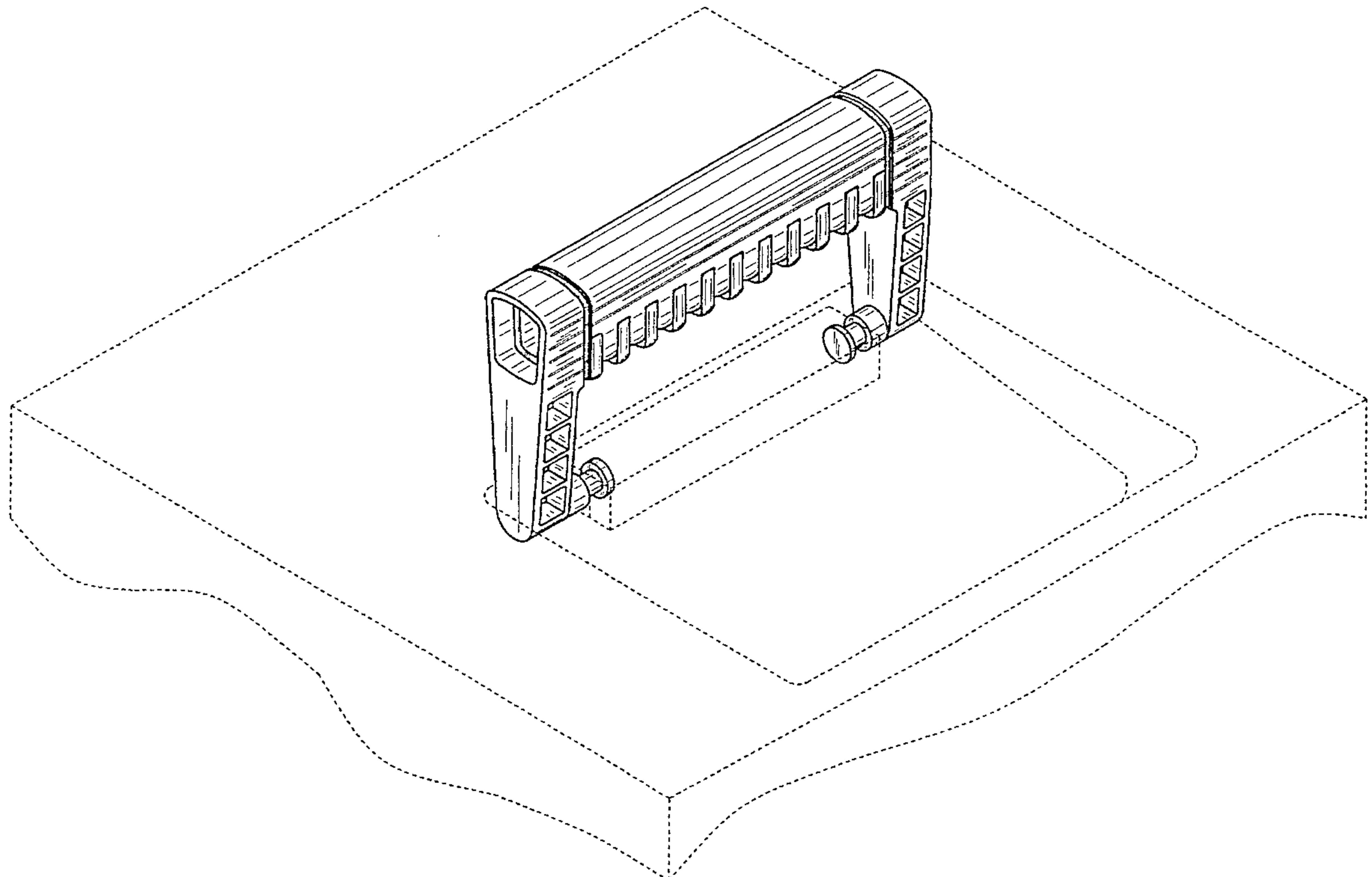
FIG. 4 is a left side elevation view thereof;

FIG. 5 is a right side elevation view thereof;

FIG. 6 is a top plan view thereof; and,

FIG. 7 is a bottom plan view thereof.

1 Claim, 2 Drawing Sheets



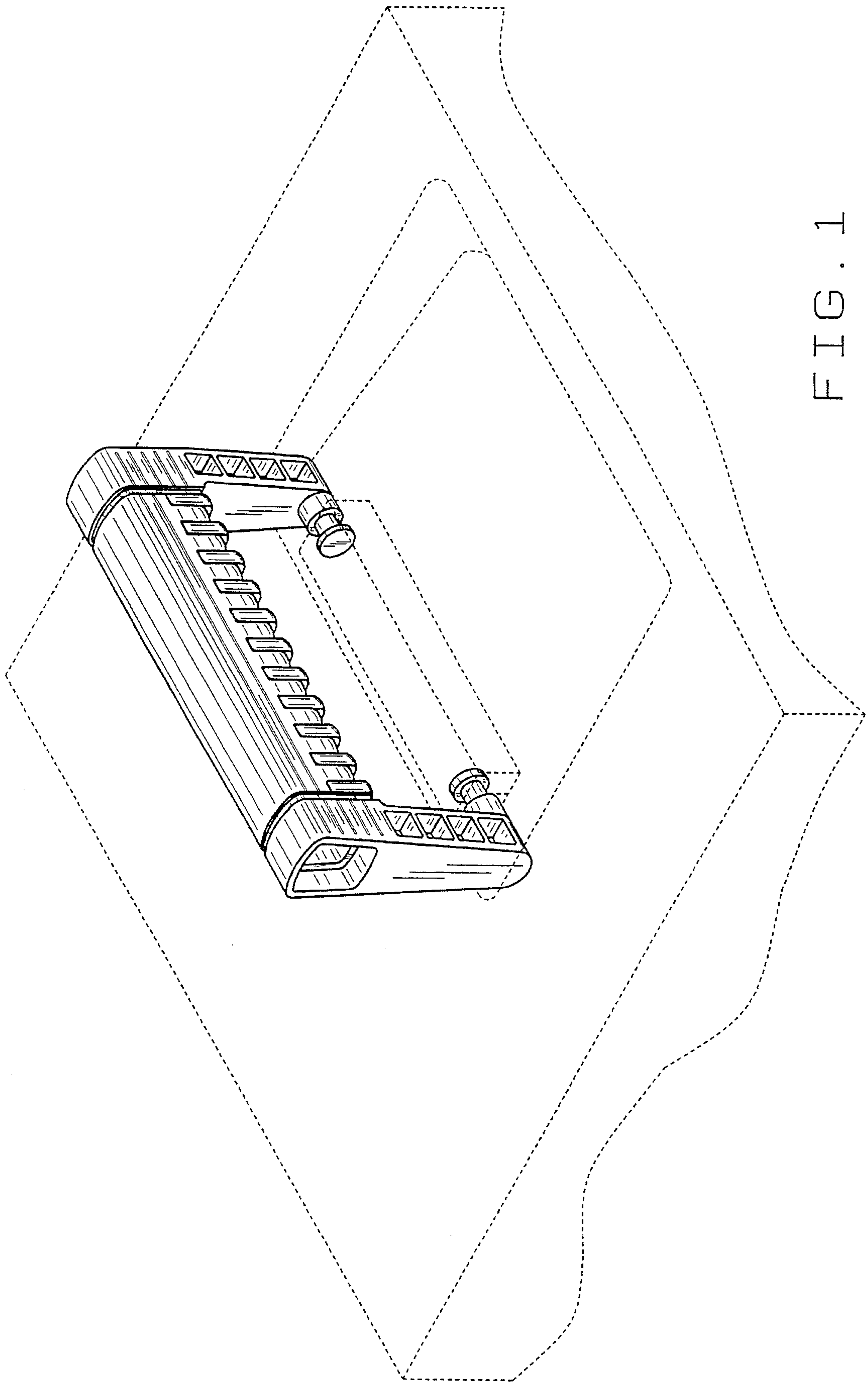


FIG. 1

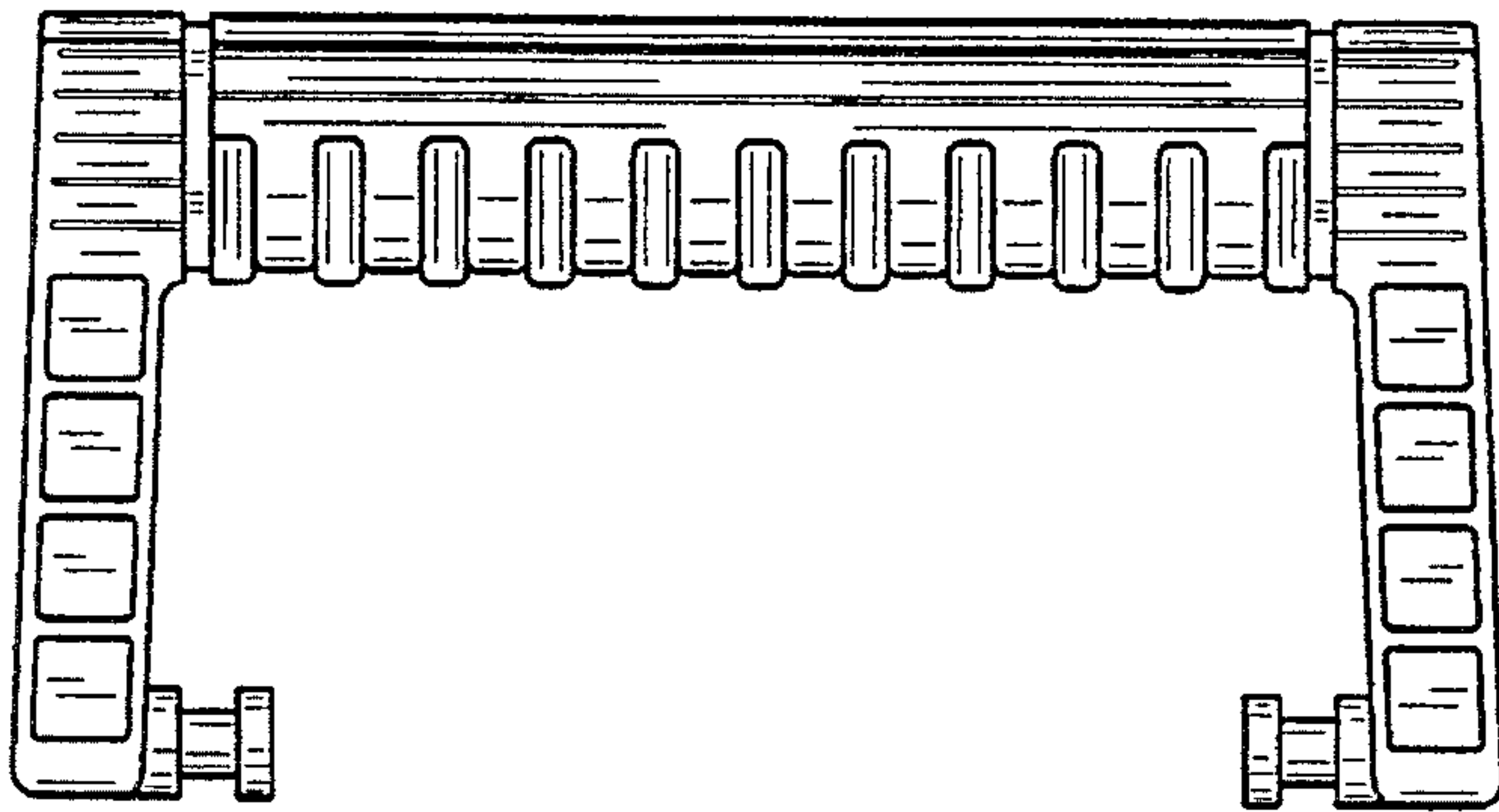


FIG. 2



FIG. 4

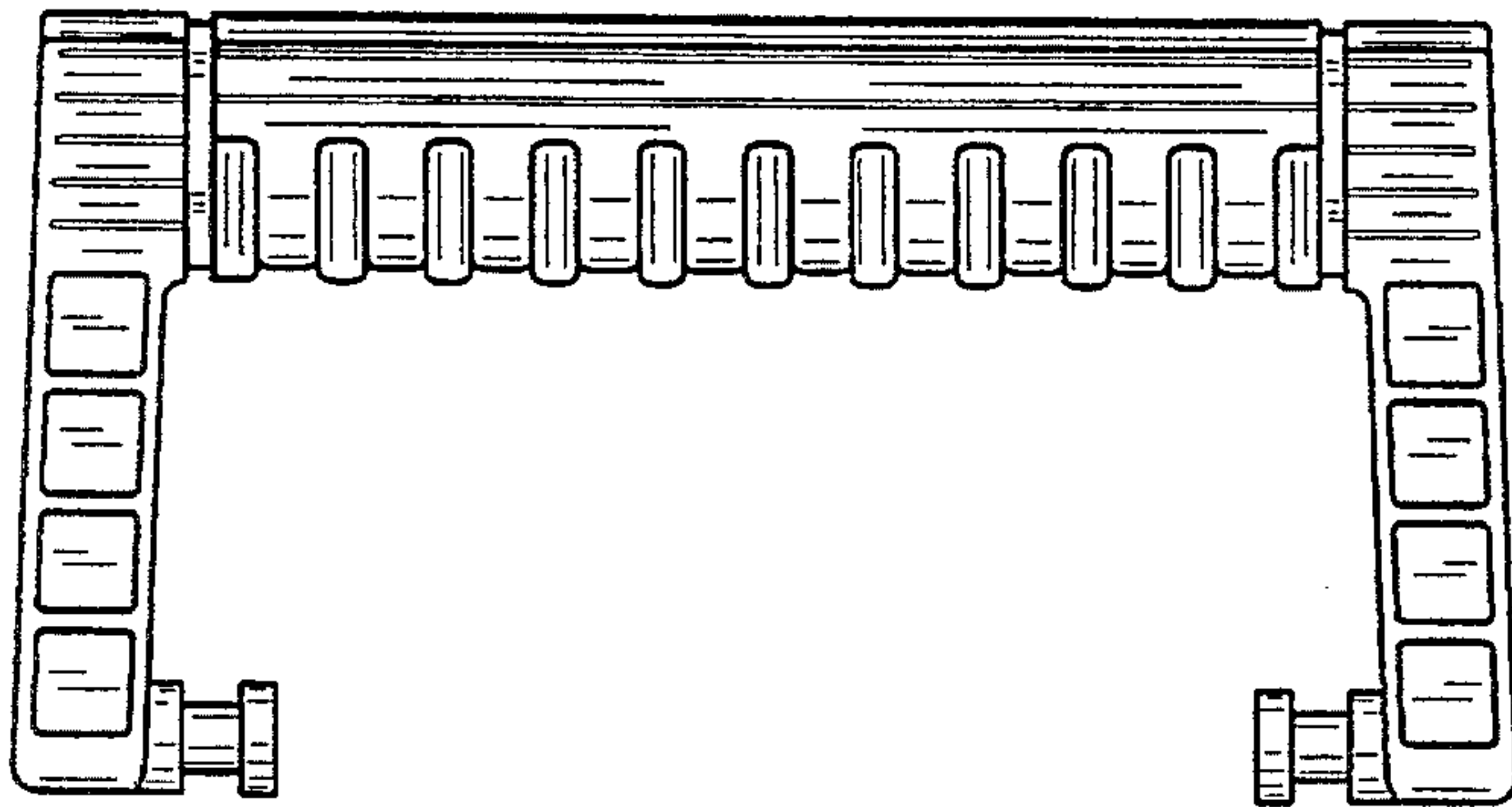


FIG. 3



FIG. 5

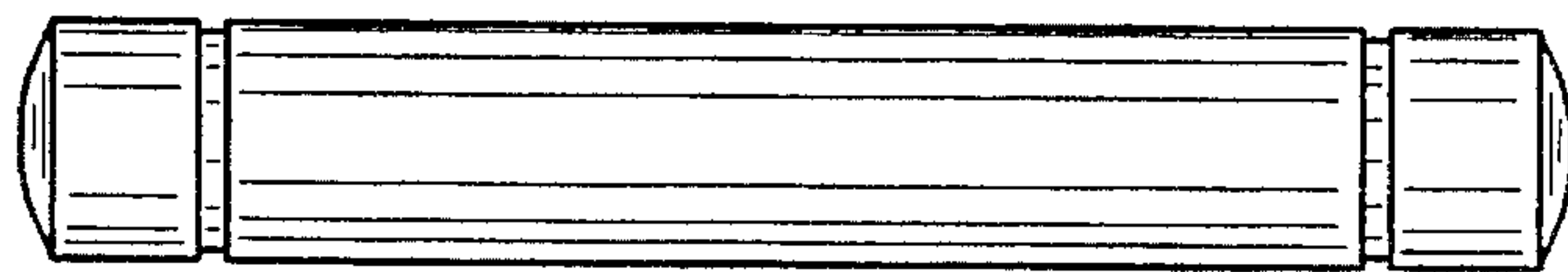


FIG. 6



FIG. 7