



US00D368009S

# United States Patent [19]

Zurwelle

[11] Patent Number: **Des. 368,009**

[45] Date of Patent: **\*\*Mar. 19, 1996**

[54] **CORDLESS POWER TOOL HOUSING**

[76] Inventor: **Donald W. Zurwelle**, 805 Jamieson Rd., Lutherville, Md. 21093

[\*\*] Term: **14 Years**

[21] Appl. No.: **333,960**

[22] Filed: **Nov. 3, 1994**

### Related U.S. Application Data

[63] Continuation of Ser. No. 11,813, Aug. 13, 1993, abandoned.

[52] U.S. Cl. .... **D8/68**

[58] Field of Search ..... D8/61, 68; 173/170; 408/124, 125; 81/54, 57.11

[56] **References Cited**

#### U.S. PATENT DOCUMENTS

D. 295,714	5/1988	Sasaki et al. ....	D8/68
D. 296,412	6/1988	Nelson et al. ....	D8/68
D. 303,204	9/1989	Marks .....	D8/68
D. 303,488	9/1989	Fonck .....	D8/68
D. 315,282	3/1991	Schmidt et al. ....	D8/68
D. 331,356	12/1992	Amsberry .....	D8/68
D. 340,394	10/1993	Okumura .	
D. 344,000	2/1994	Shibata et al. ....	D8/68

#### OTHER PUBLICATIONS

Hitachi Power Tools Catalog, Copyright 1993, pp. 6-9 (Ex. A).

Hitachi Power Tools Catalog, (Date Unknown), pp. 6-8 (Ex. B) admitted prior art.

Makita Catalog, (Date Unknown) (Ex. C) admitted prior art.

Makita Catalog, Copyright 1990, (Ex. D).

Milwaukee Heavy-Duty Electric Tools Catalog, (Date Unknown), p. 18 (Ex. E) admitted prior art.

Panasonic Cordless Professional Power Tools, published on

or before Aug. 15, 1989 (Ex. F).

Panasonic Cordless Professional Power Tools Catalog, published on or before Aug. 17, 1993 (Ex. G).

*Primary Examiner*—Martie Thompson

*Attorney, Agent, or Firm*—Dennis A. Dearing; John D. Del Ponti; Charles E. Yocum

[57] **CLAIM**

The ornamental design for a cordless power tool housing, as shown and described.

### DESCRIPTION

FIG. 1 is a right side elevational view of a cordless power tool housing showing my new design, the opposite side being a mirror image;

FIG. 2 is a top plan view thereof;

FIG. 3 is a bottom plan view thereof;

FIG. 4 is a front elevational view thereof;

FIG. 5 is a rear elevational view thereof;

FIG. 6 is a right side elevational view of a second embodiment of a cordless power tool housing, the opposite side being a mirror image thereof;

FIG. 7 is a top plan view thereof;

FIG. 8 is a bottom plan view thereof;

FIG. 9 is a front elevational view thereof;

FIG. 10 is a rear elevational view thereof;

FIG. 11 is a right side elevational view of a third embodiment of a cordless power tool housing, the opposite side being a mirror image thereof;

FIG. 12 is a top plan view thereof;

FIG. 13 is a bottom plan view thereof;

FIG. 14 is a front elevational view thereof; and,

FIG. 15 is a rear elevational view thereof.

The broken line showing of the clutch housing is for illustrative purposes only and forms no part of the claimed design.

**1 Claim, 6 Drawing Sheets**

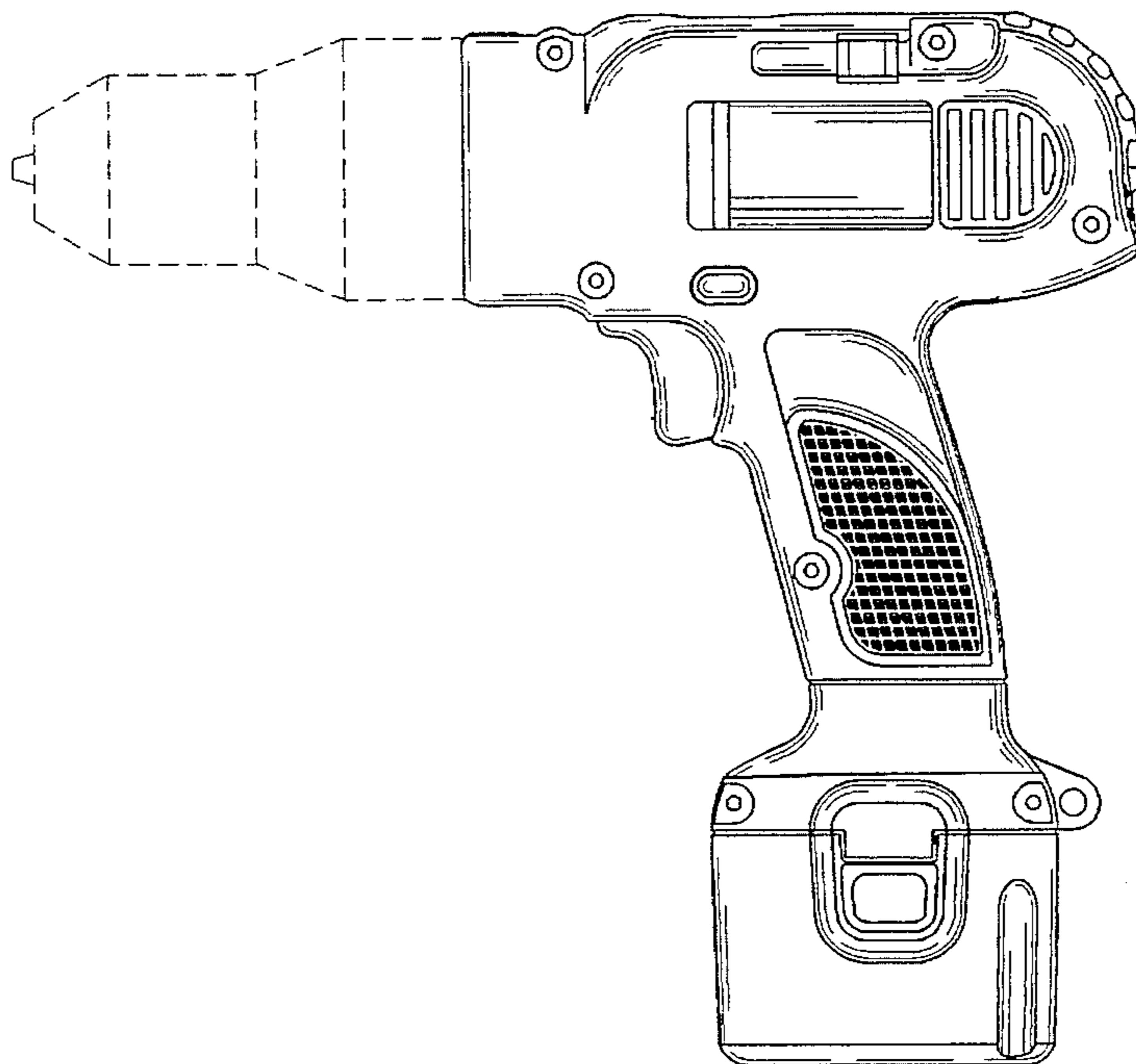


FIG. 2

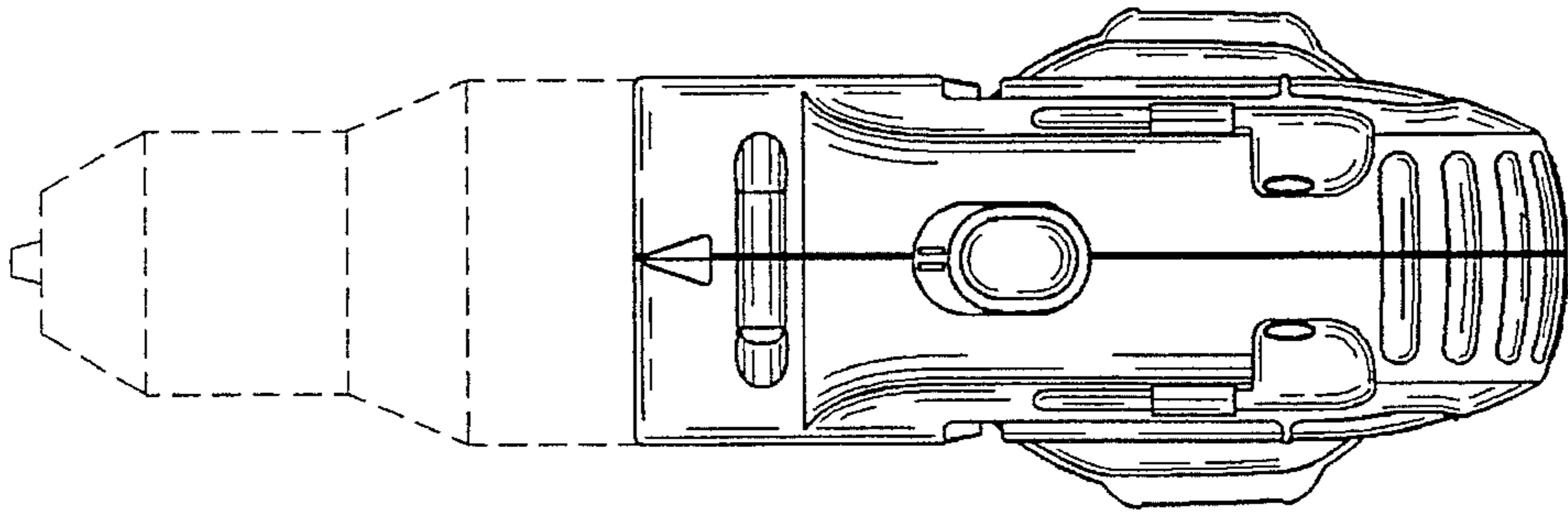


FIG. 1

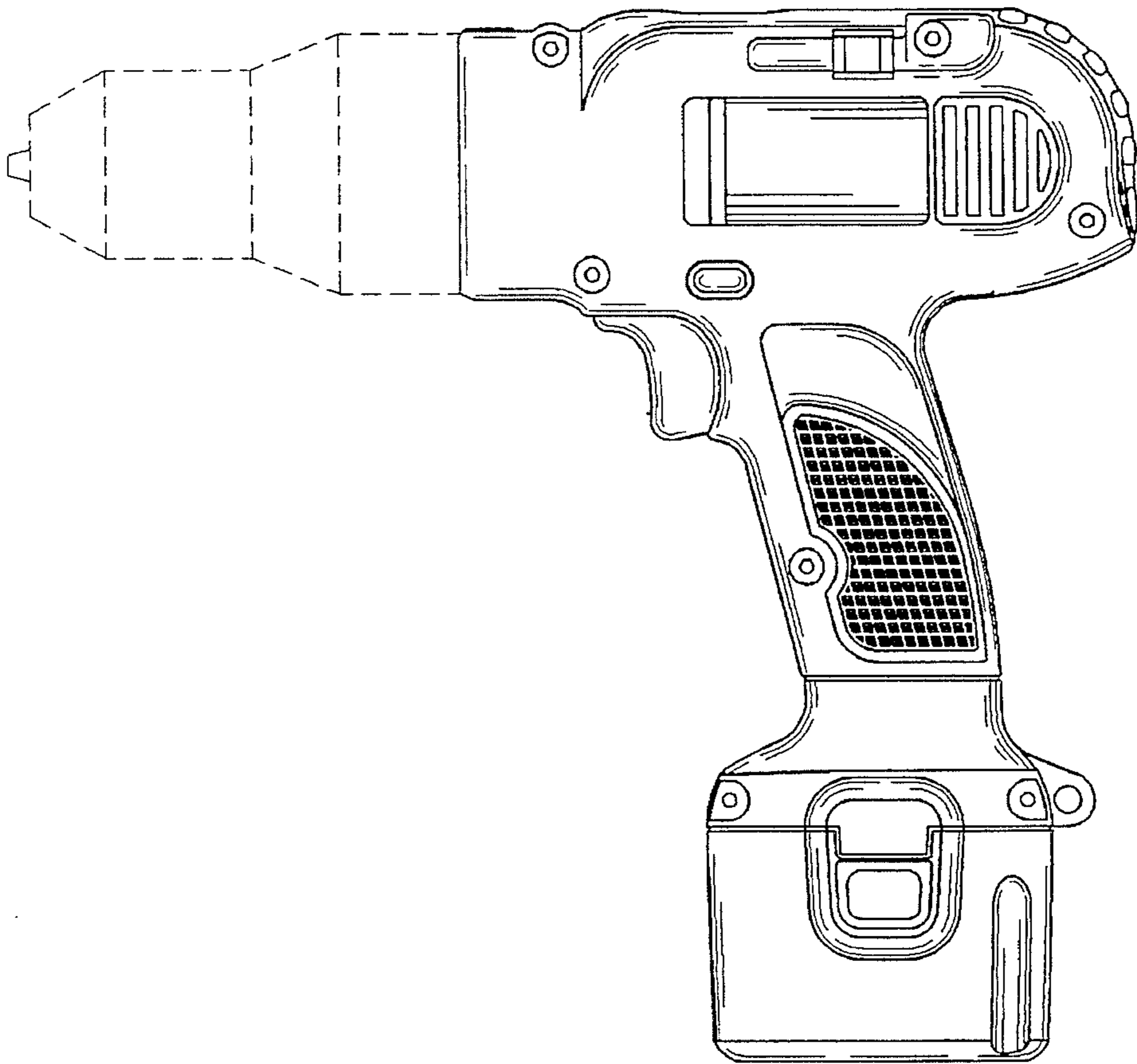
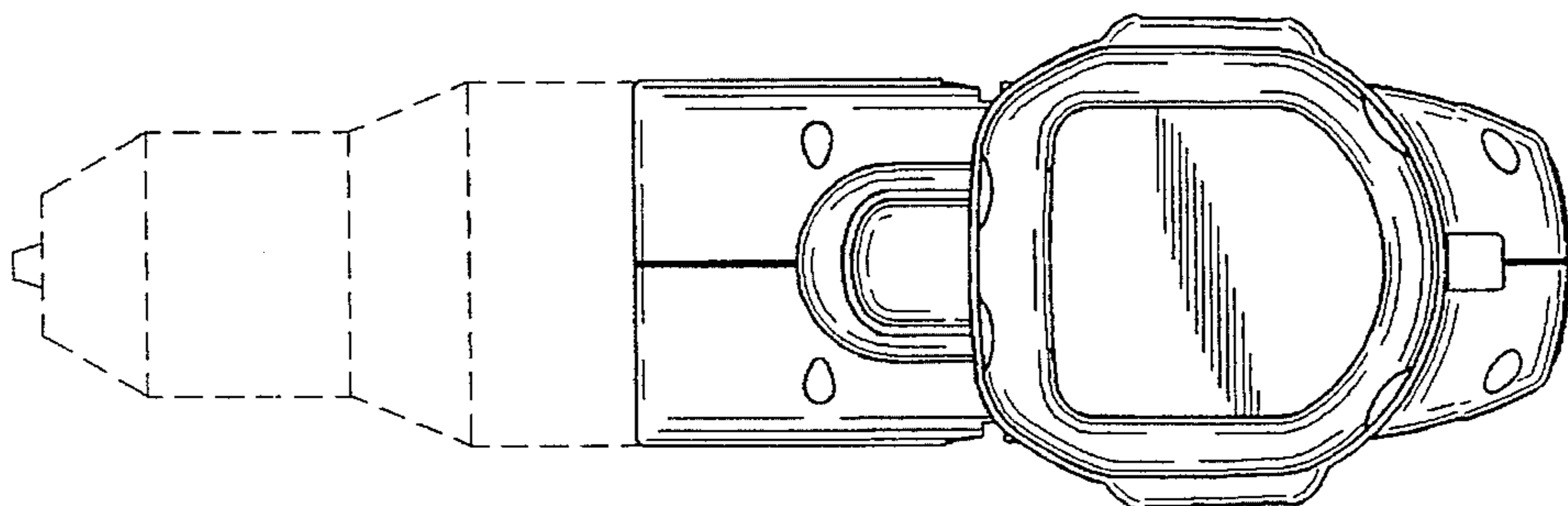
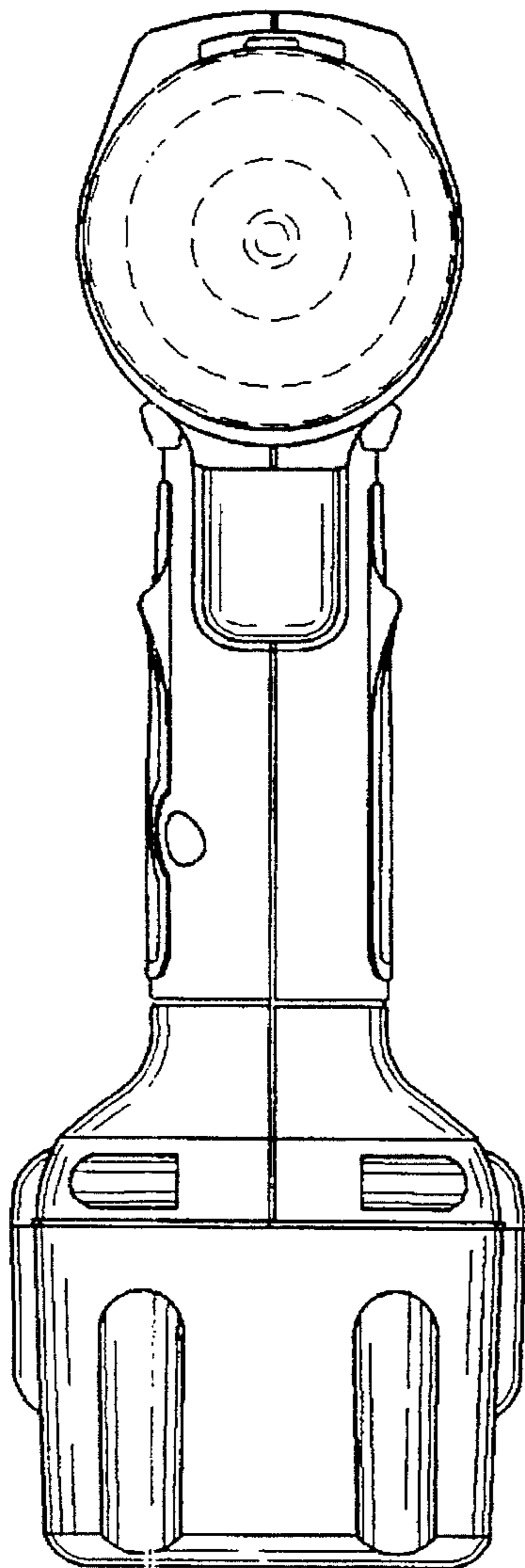


FIG. 3



*FIG. 4*



*FIG. 5*

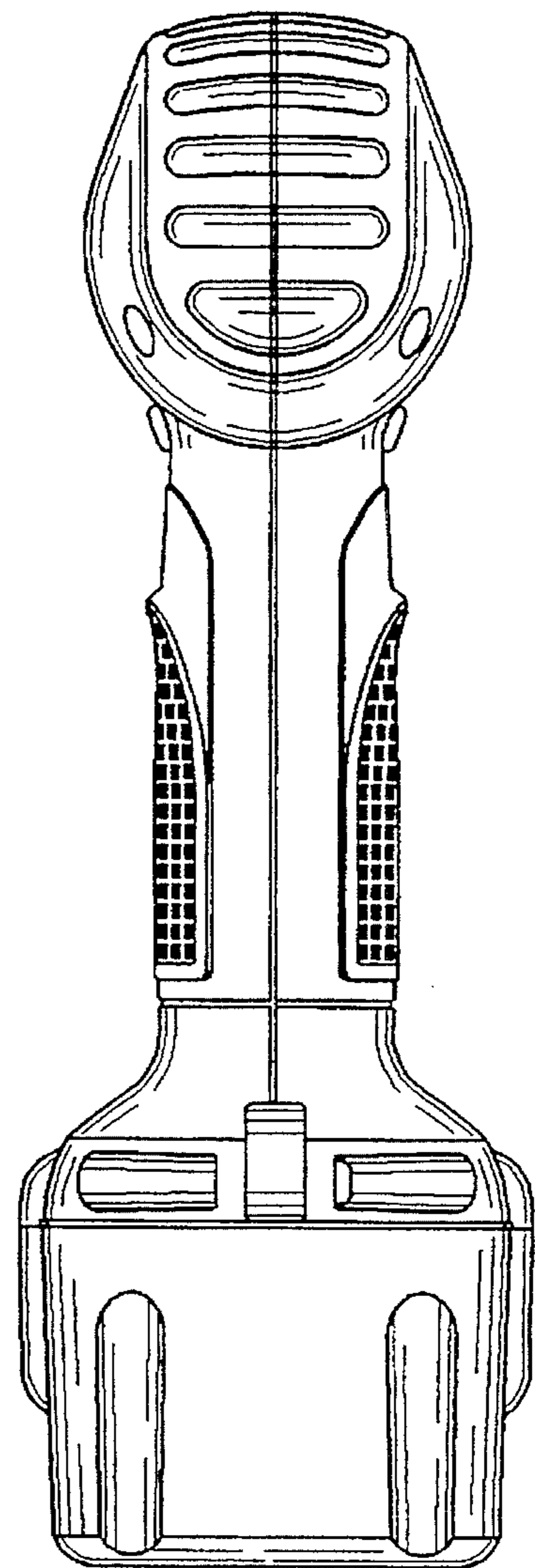


FIG. 7

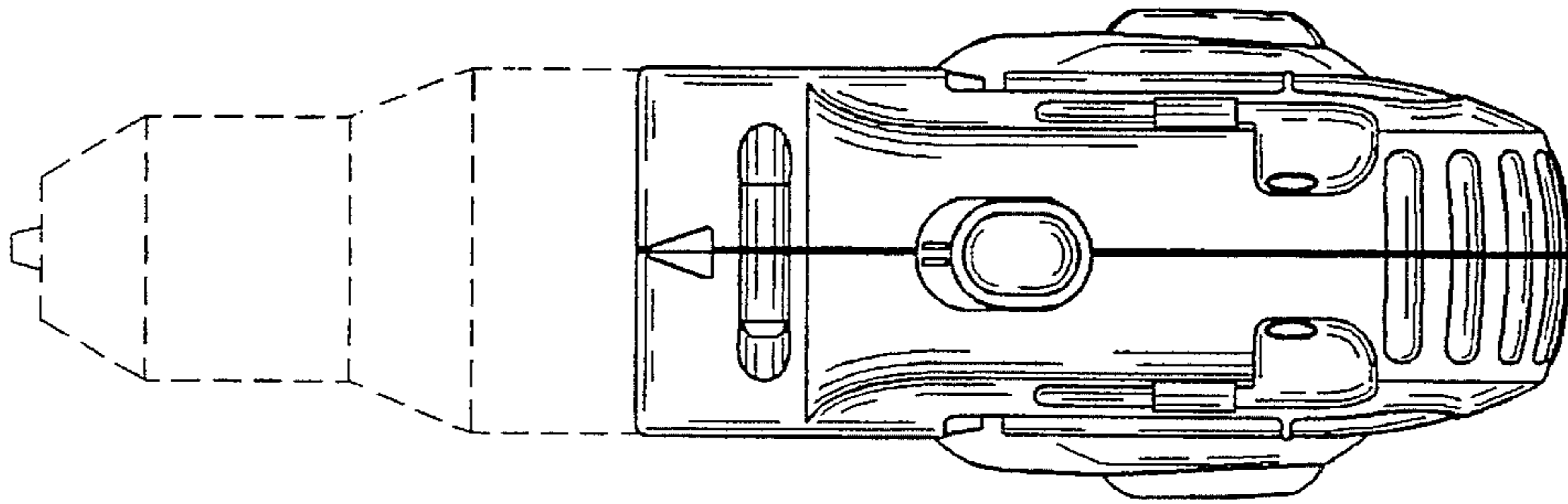


FIG. 6

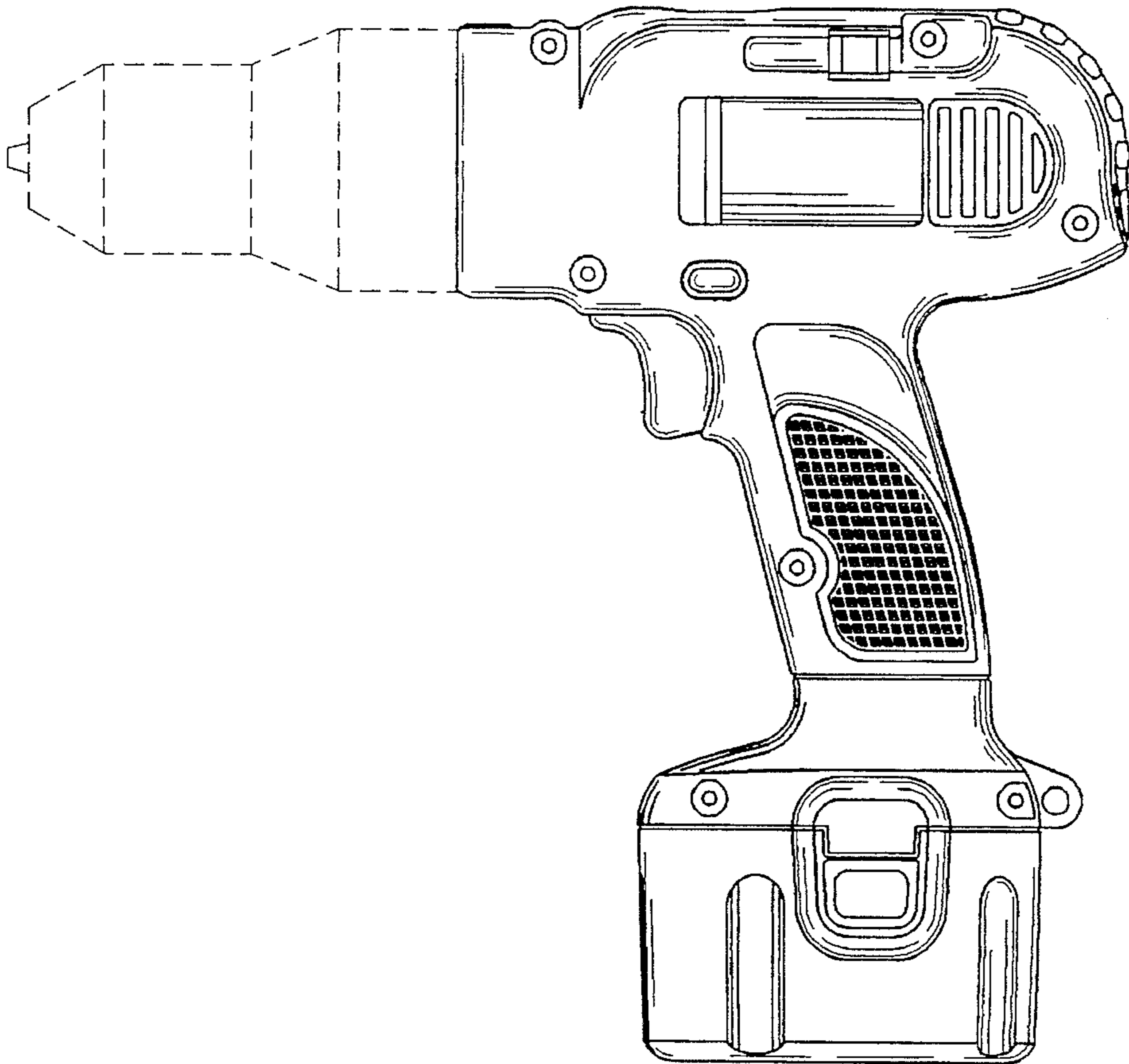
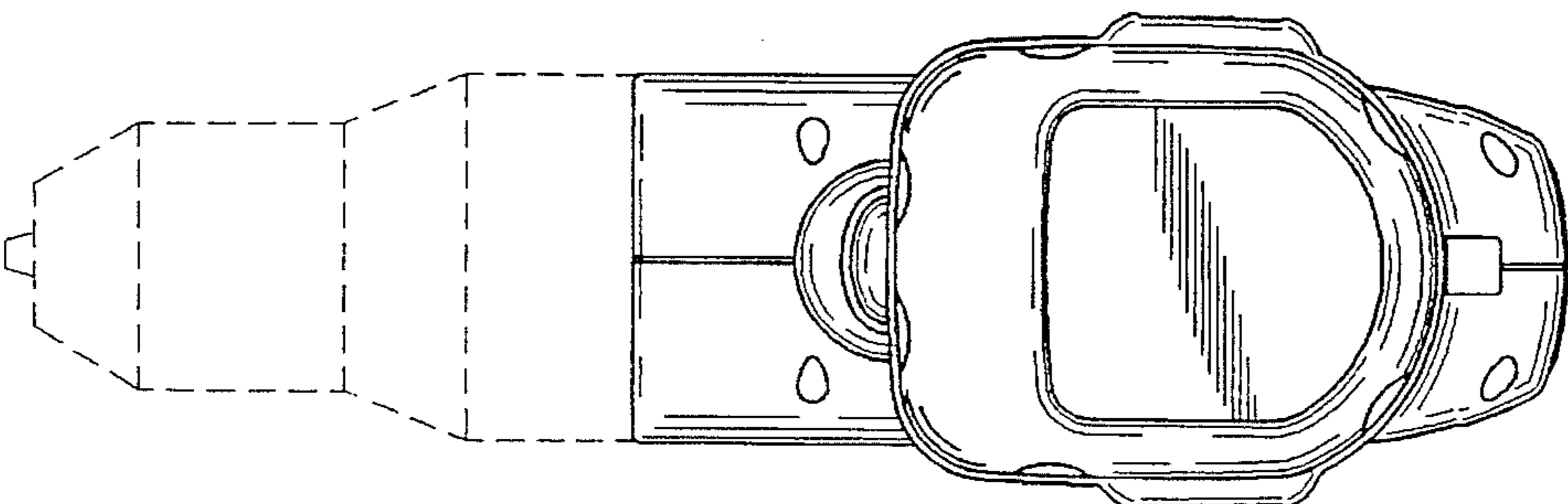
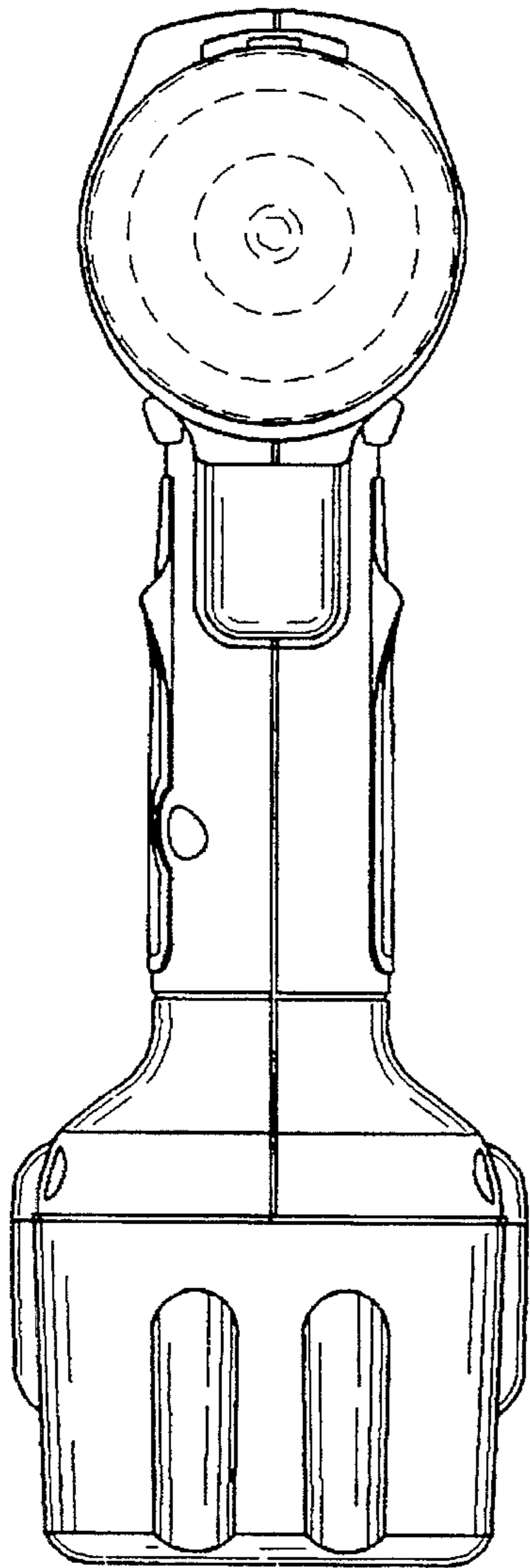


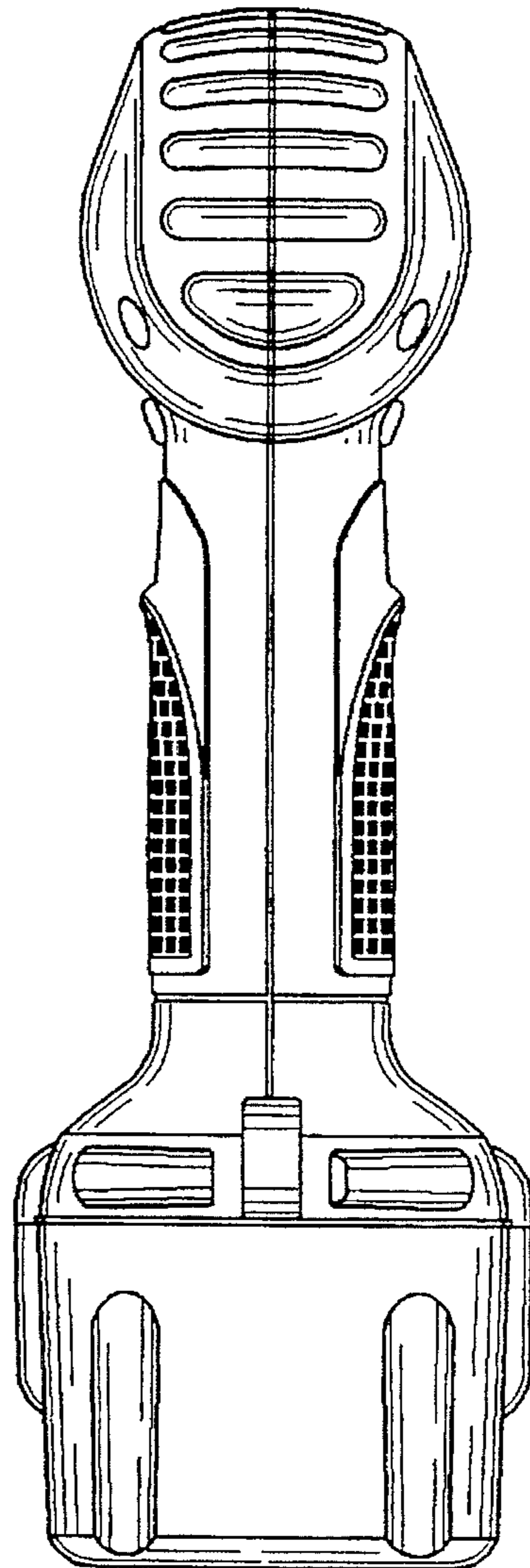
FIG. 8



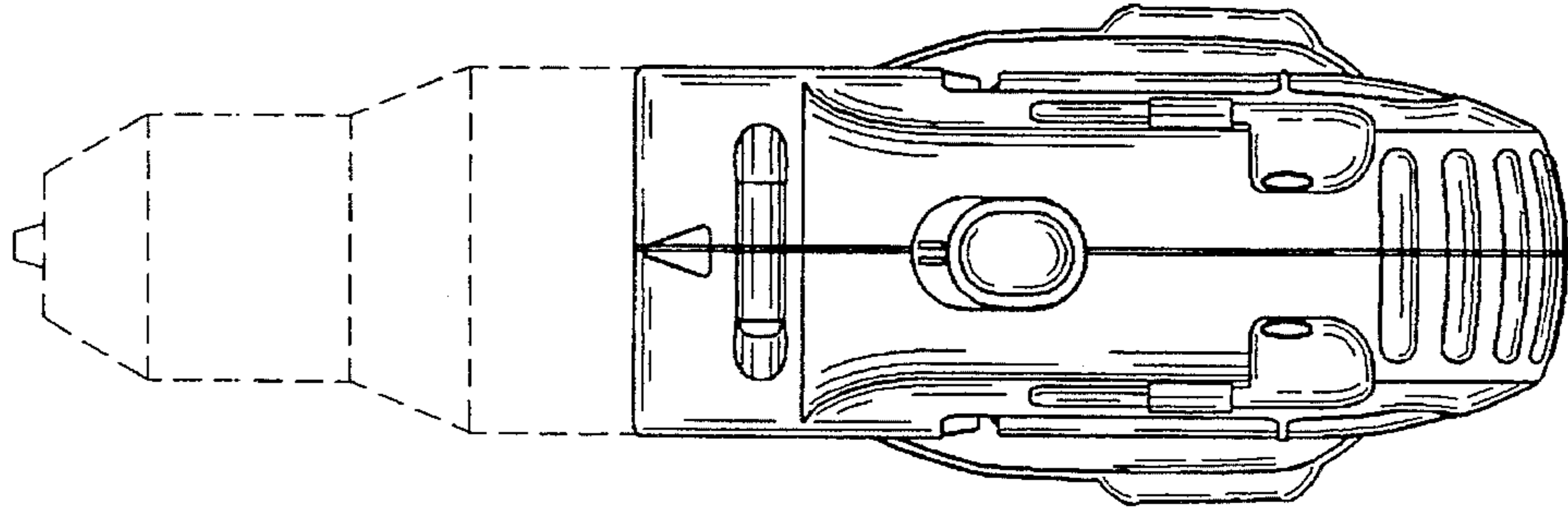
*FIG. 9*



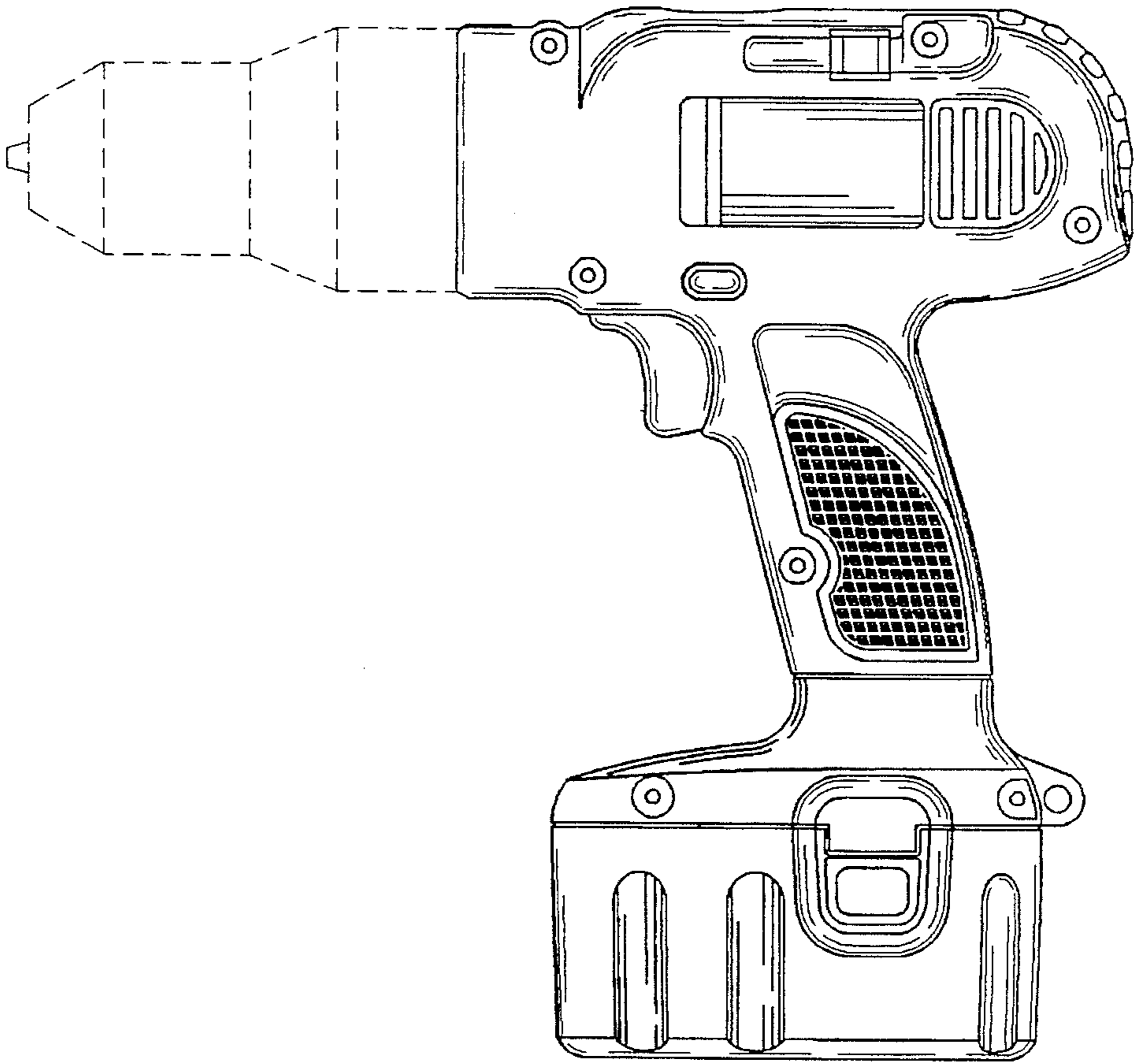
*FIG. 10*



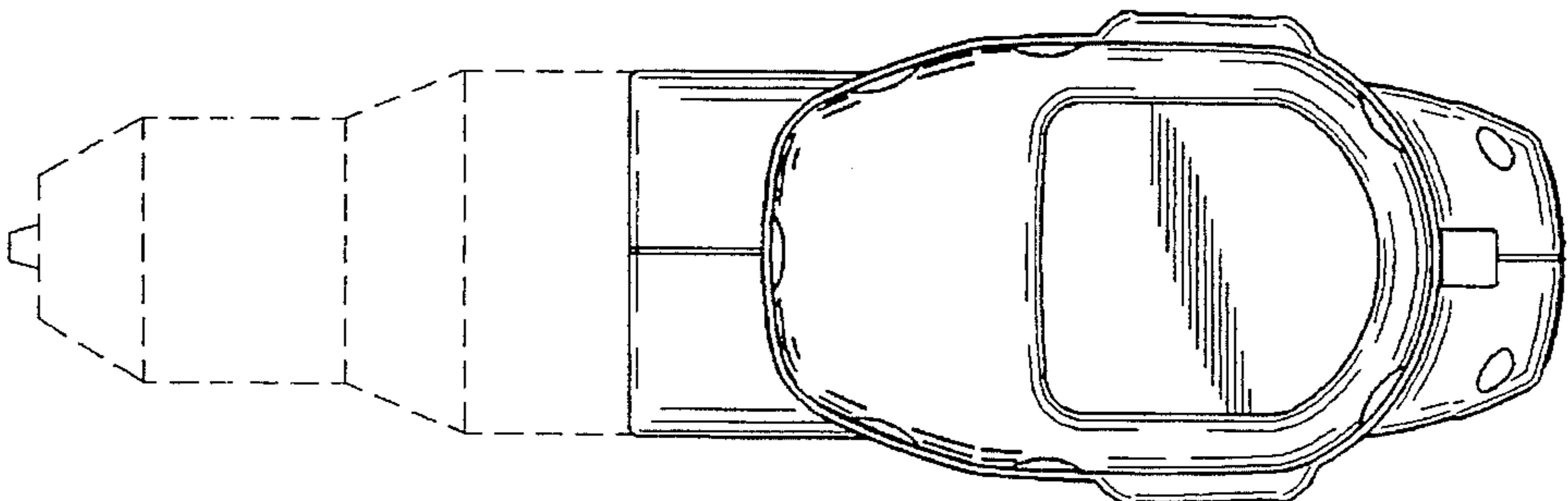
*FIG. 12*



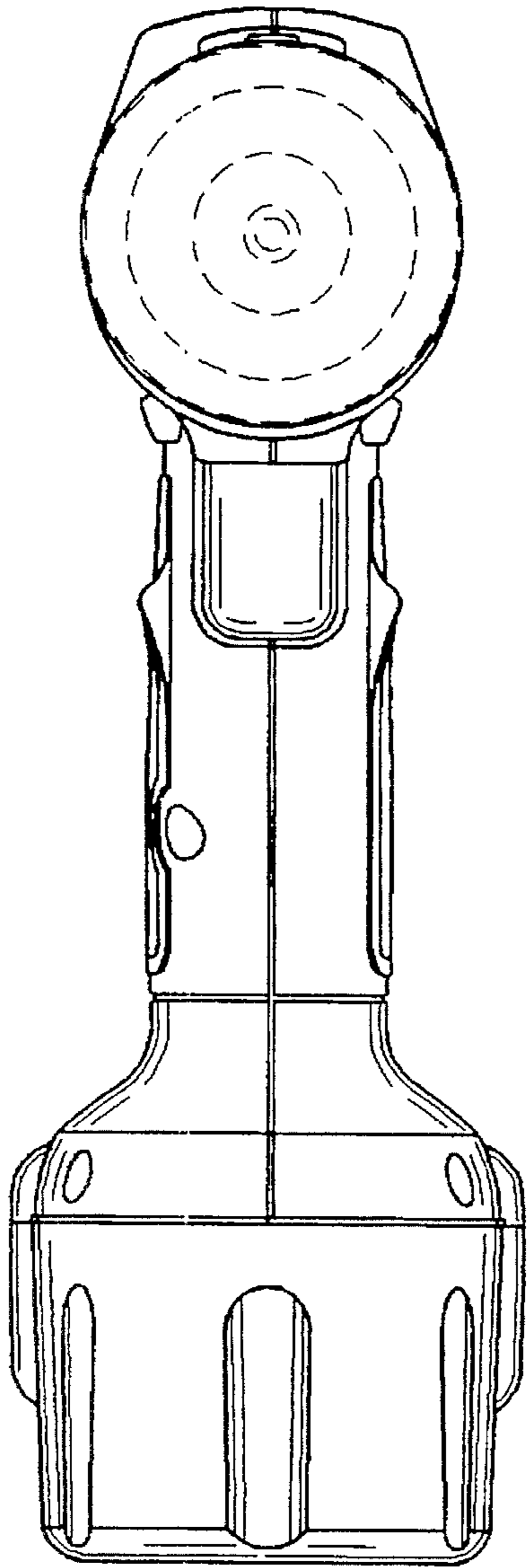
*FIG. 11*



*FIG. 13*



**FIG. 14**



**FIG. 15**

