



US00D368007S

United States Patent [19]

Macor

[11] Patent Number: **Des. 368,007**

[45] Date of Patent: ****Mar. 19, 1996**

[54] **RATCHET WRENCH ADAPTER**

Assistant Examiner—Richelle Shelton

[75] Inventor: **Richard J. Macor**, Greenwich Township, Warren County, N.J.

[57] **CLAIM**

[73] Assignee: **Properietary Technologies, Inc.**, Stewartsville, N.J.

The ornamental design for a ratchet wrench adapter, as shown.

[**] Term: **14 Years**

DESCRIPTION

[21] Appl. No.: **38,808**

FIG. 1 is a perspective view of a ratchet wrench adapter showing my new design;

[22] Filed: **May 15, 1995**

[52] U.S. Cl. **D8/25**

FIG. 2 is a front elevation view thereof;

[58] Field of Search D8/21-29, 14;

FIG. 3 is a back elevation view thereof;

81/177.2, 177.85

FIG. 4 is a top plan view thereof;

[56] **References Cited**

U.S. PATENT DOCUMENTS

3,039,339 6/1992 Hanson 81/177.2

FIG. 5 is a bottom plan view thereof;

OTHER PUBLICATIONS

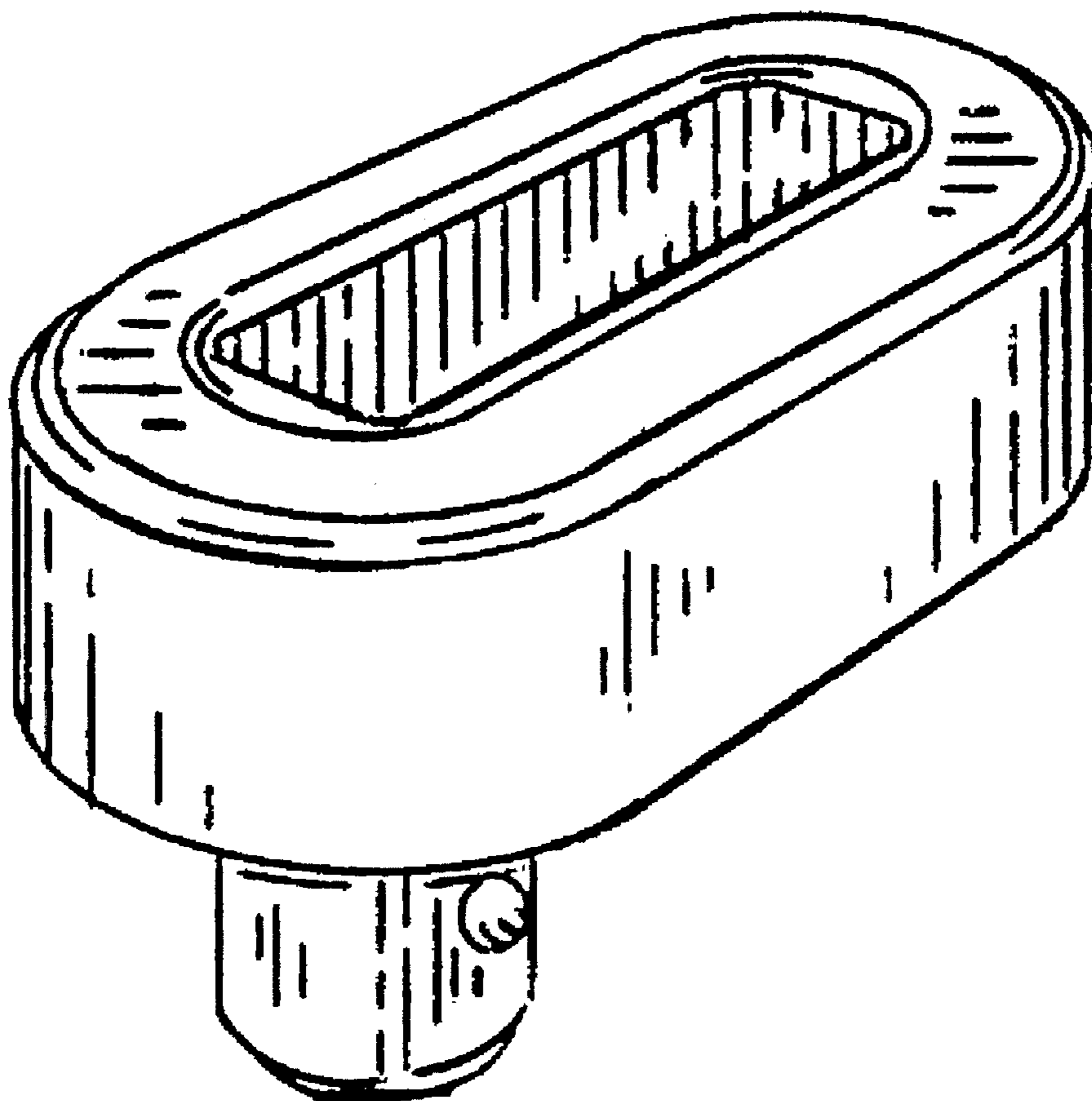
Snap-On Catalog, Jul. 1993, p. E80, WA28A Ratcheting Torque Adaptor.

FIG. 6 is a right side elevation view thereof; and,

FIG. 7 is a left side elevation view thereof.

Primary Examiner—Ted Shooman

1 Claim, 1 Drawing Sheet



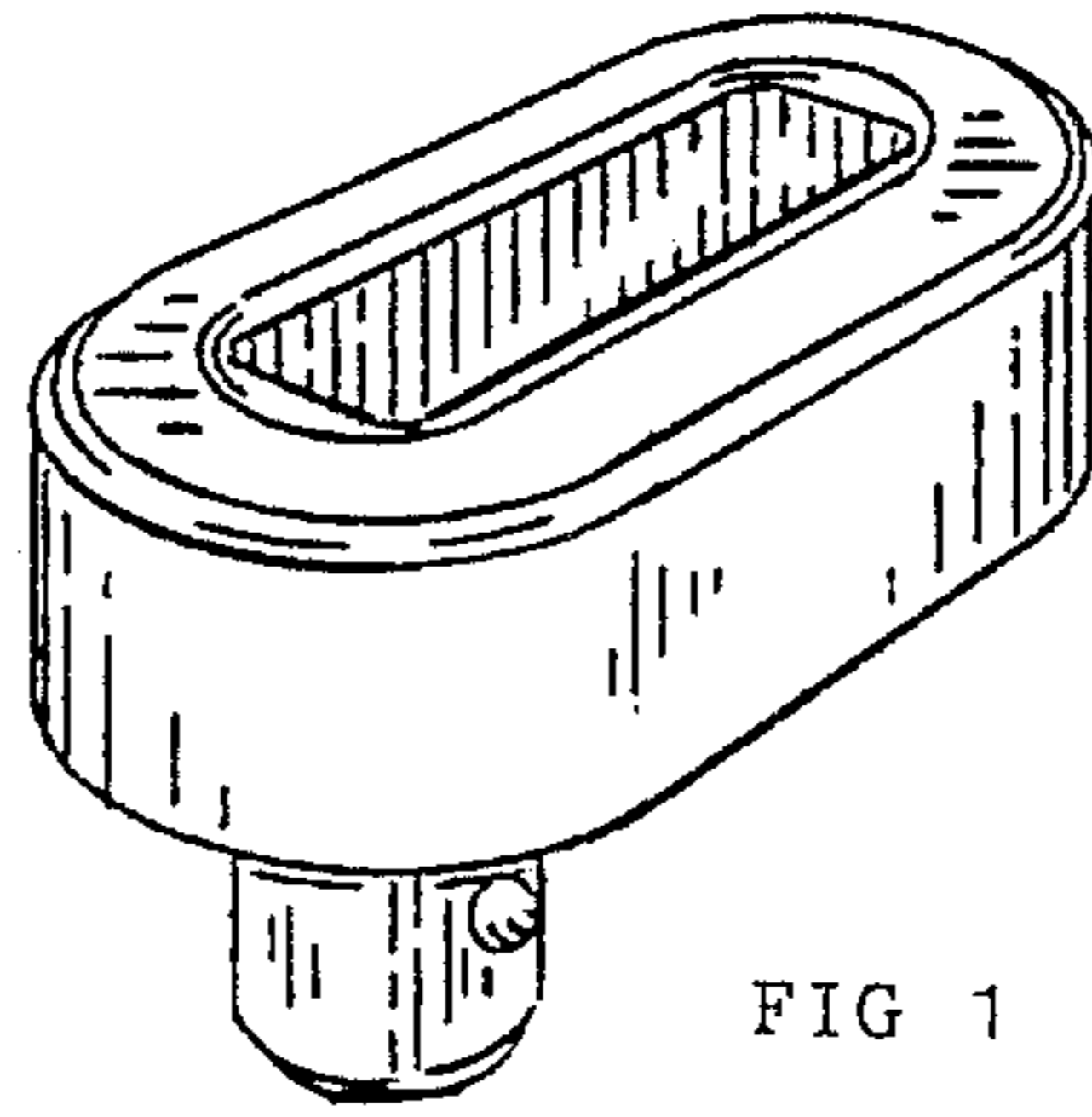


FIG 1

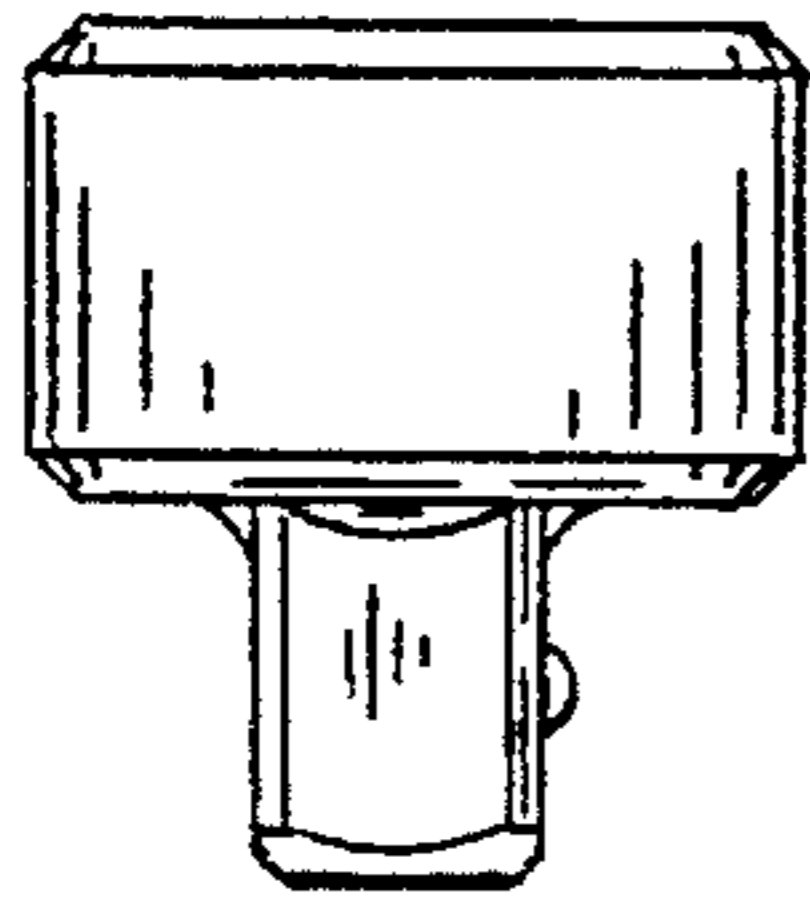


FIG 2

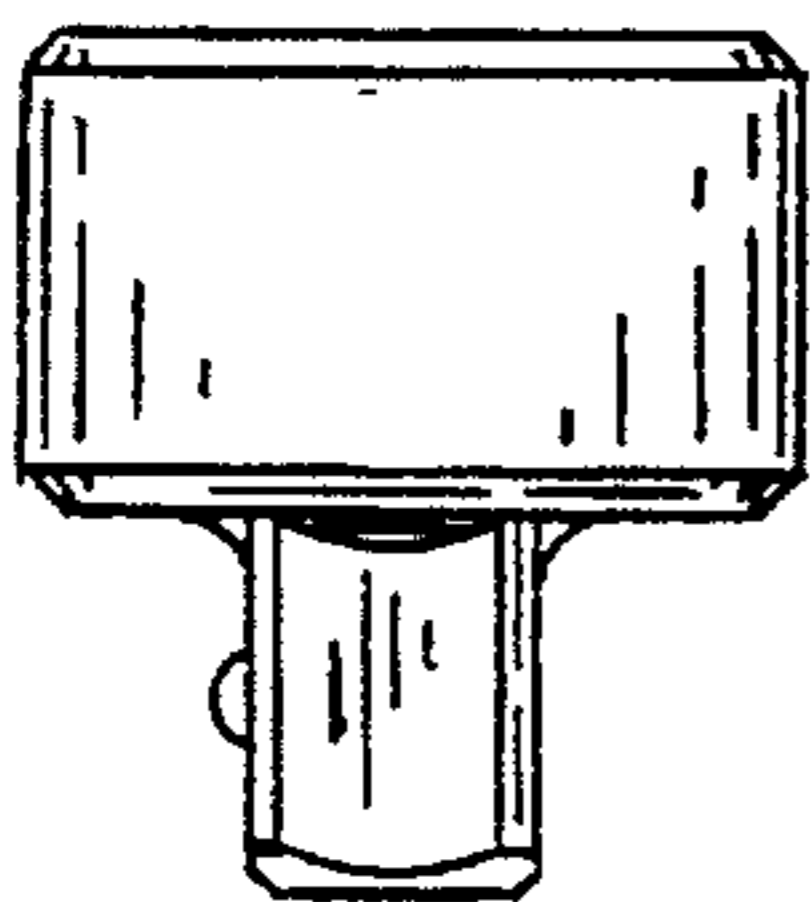


FIG 3

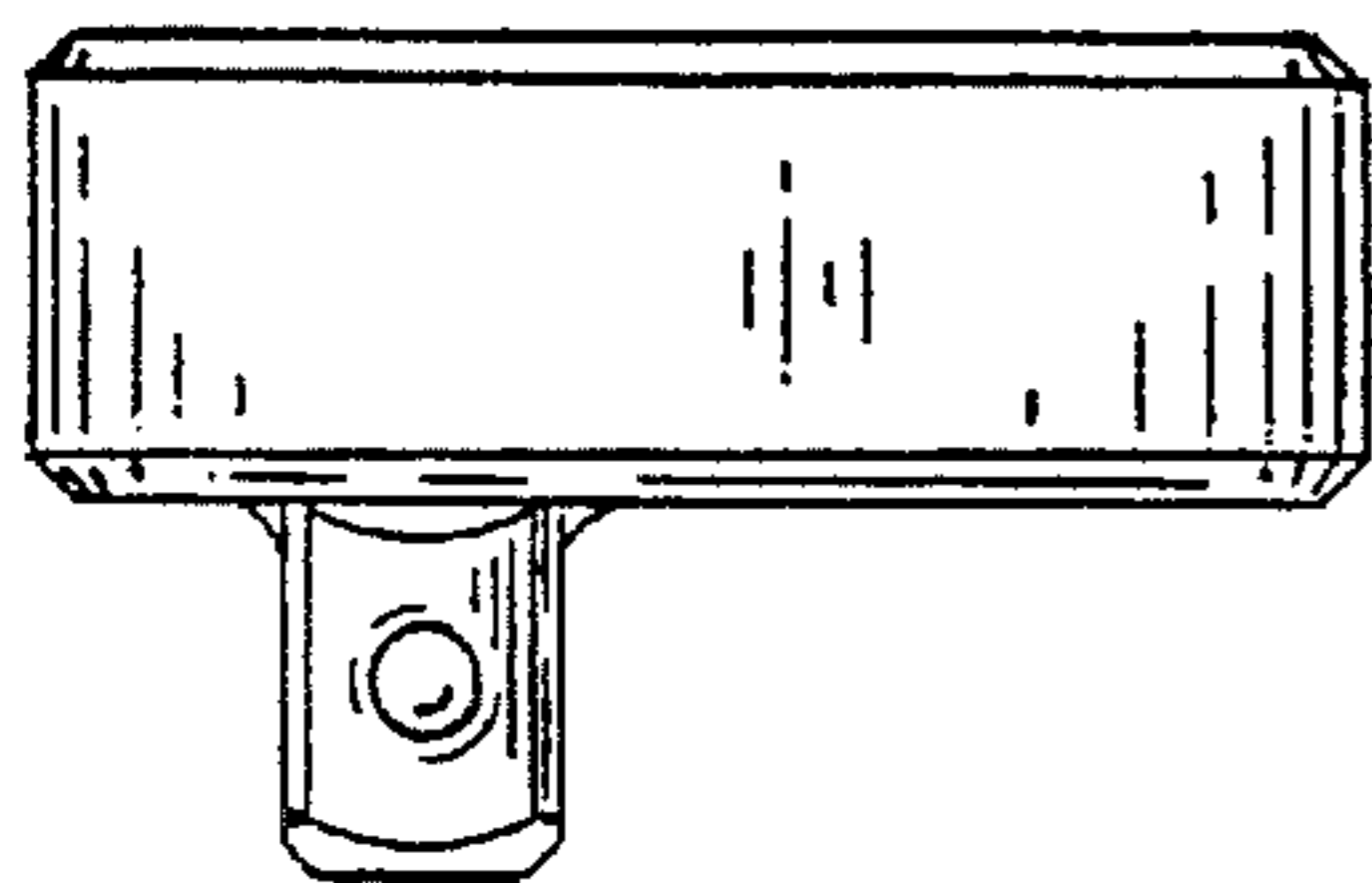


FIG 6

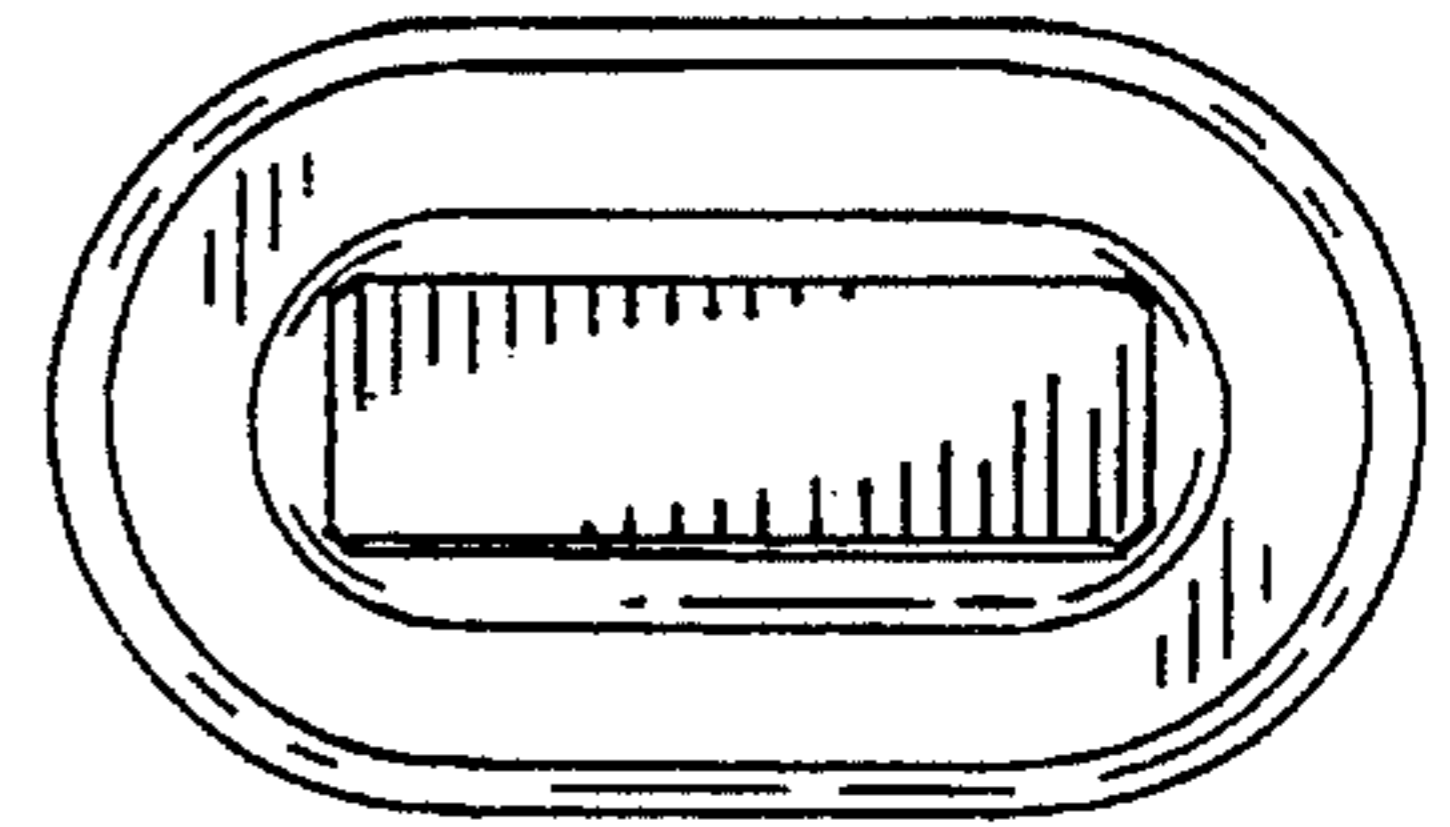


FIG 4

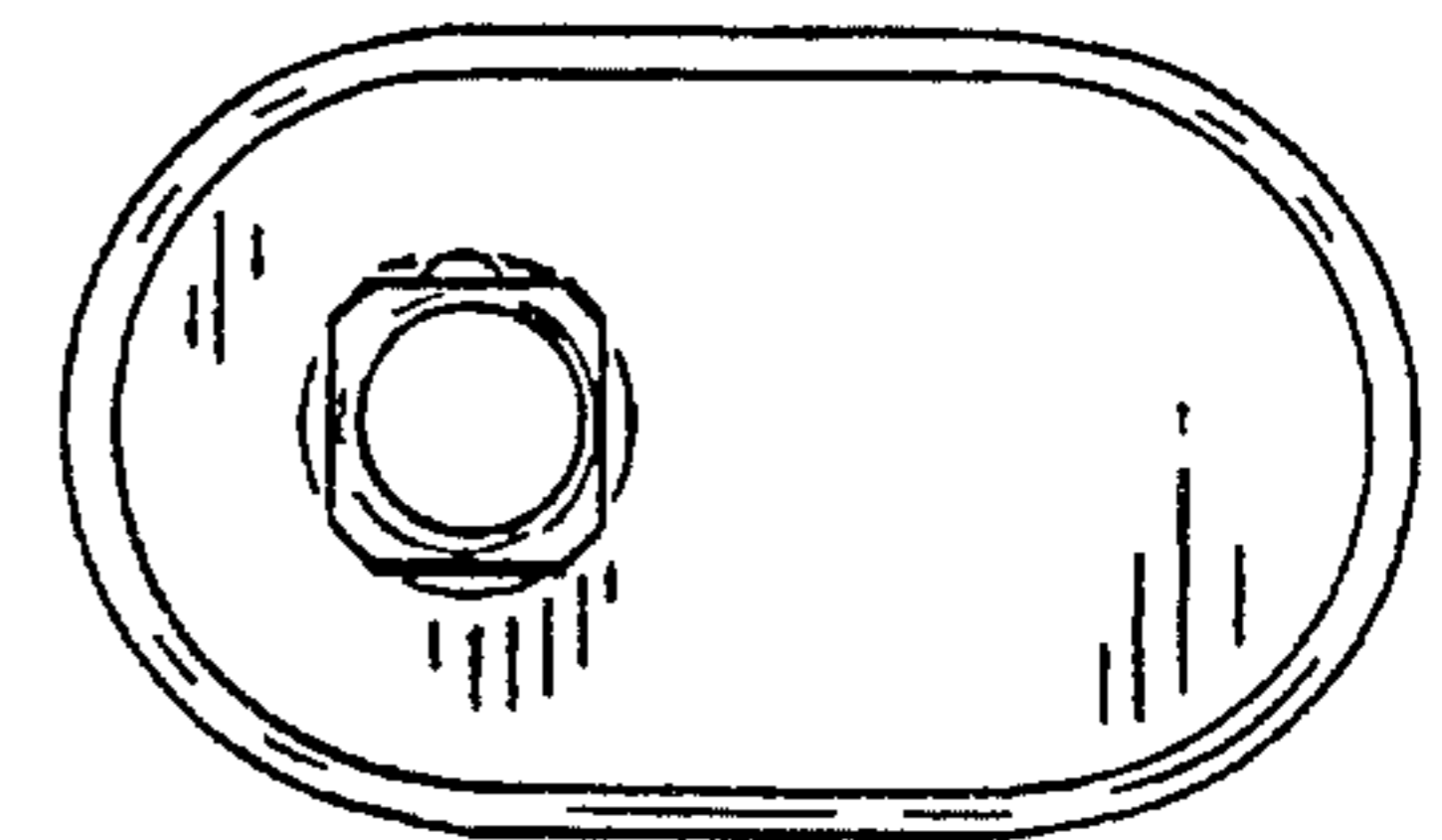


FIG 5

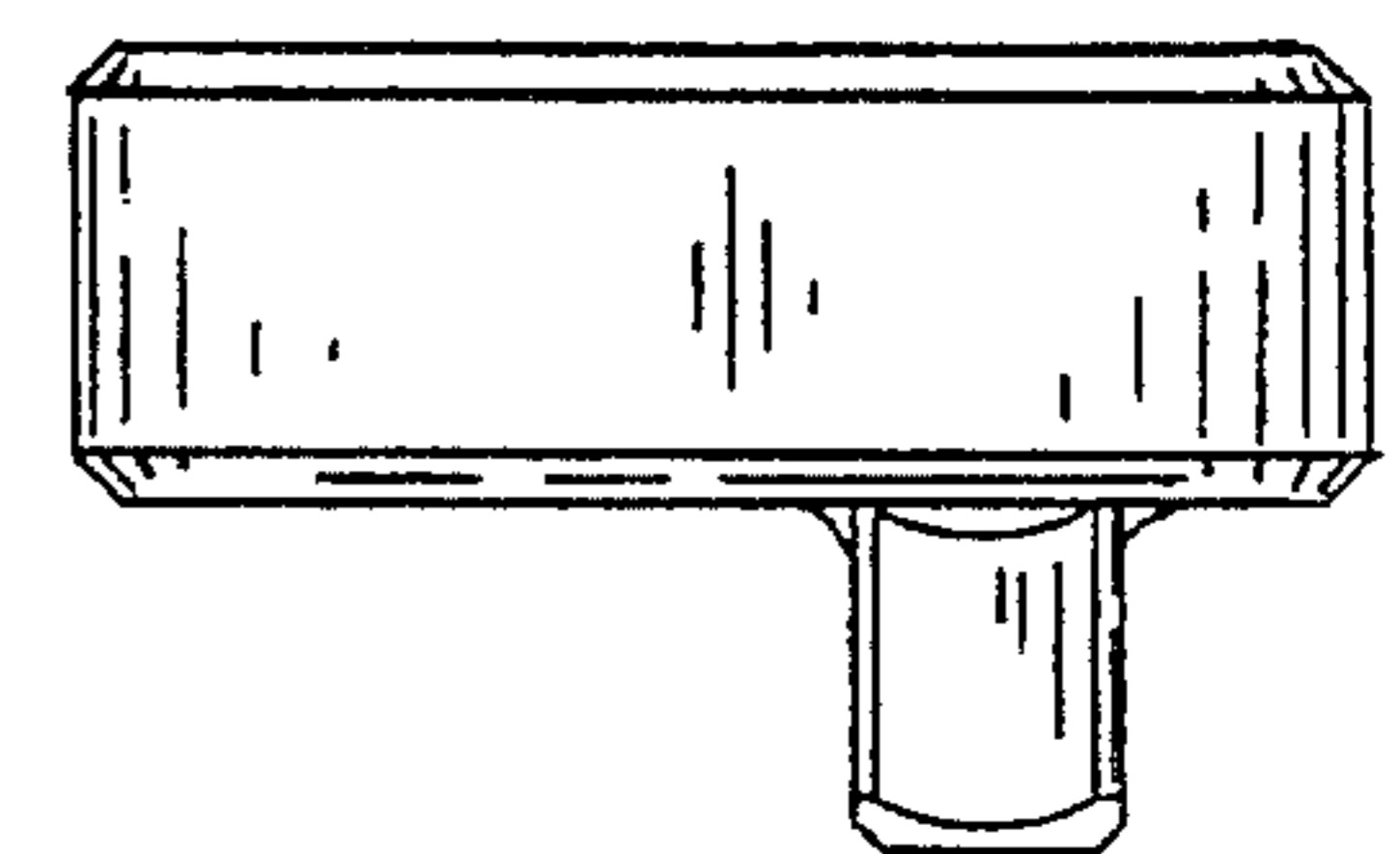


FIG 7