



US00D368005S

United States Patent [19]

Lemcke

[11] Patent Number: **Des. 368,005**

[45] Date of Patent: ****Mar. 19, 1996**

[54] **ELECTRIC TRIMMER**

D. 320,398 10/1991 Clivio D8/8
3,861,127 1/1975 Ritums et al. 56/17.1 X

[75] Inventor: **Karl T. Lemcke**, Mannheim, Germany

[73] Assignee: **Lematec Haus- und Gartentechnik Vertriebs-GmbH**, Mannheim, Germany

[**] Term: **14 Years**

Primary Examiner—A. Hugo Word
Assistant Examiner—Holly Baynham
Attorney, Agent, or Firm—Collard & Roe

[21] Appl. No.: **30,440**

[22] Filed: **Oct. 28, 1994**

[57] **CLAIM**

The ornamental design for an electric trimmer, as shown and described.

[30] **Foreign Application Priority Data**

DESCRIPTION

May 24, 1994 [DE] Germany 94 04 115.6

[52] **U.S. Cl.** **D8/8**

[58] **Field of Search** D8/8; 56/12.7,
56/16.9, 17.1; 30/276; D15/16

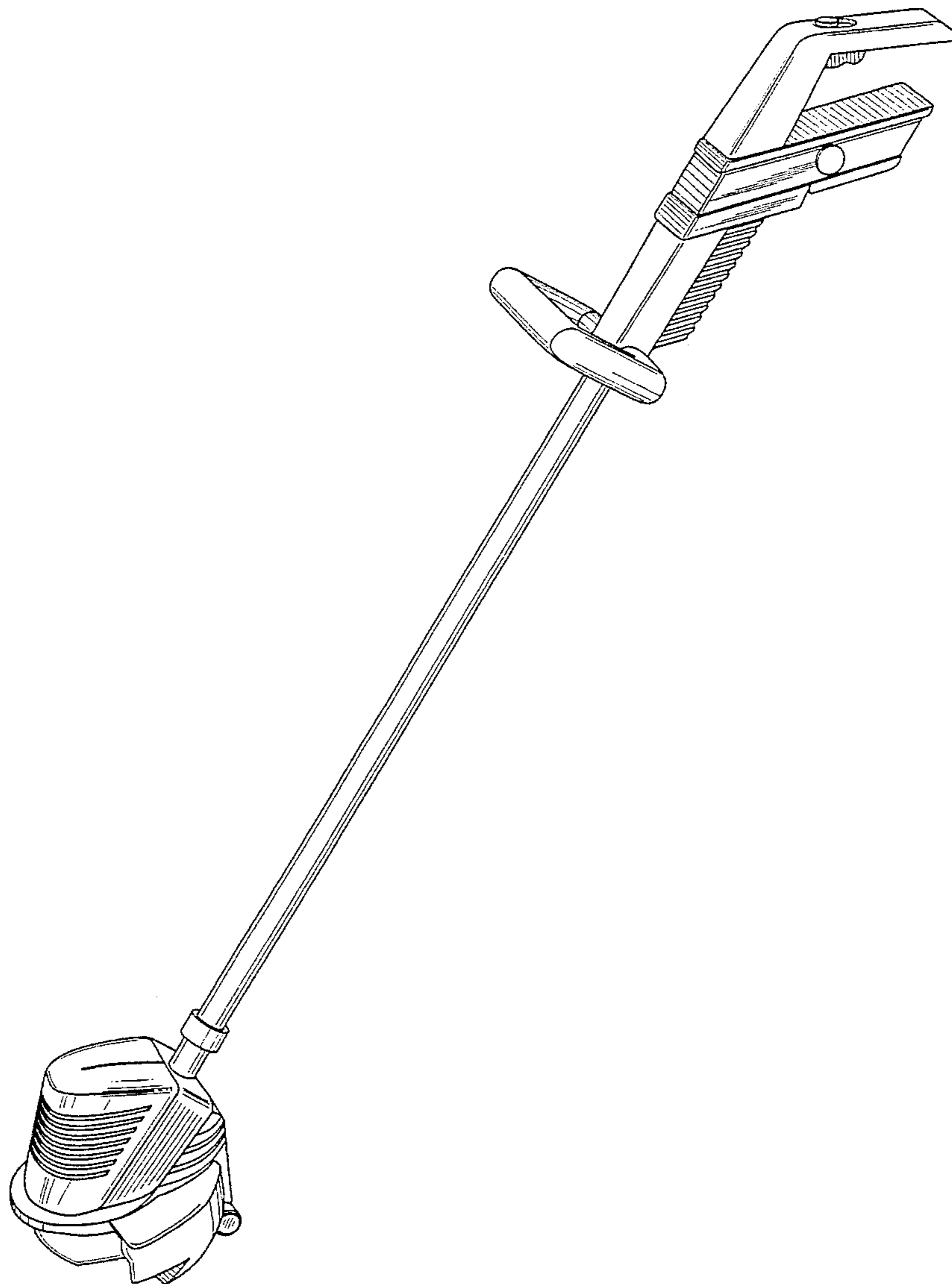
FIG. 1 is a perspective view of an electric trimmer;
FIG. 2 is a front elevational view thereof;
FIG. 3 is a rear elevational view thereof;
FIG. 4 is a left side elevational view thereof;
FIG. 5 is a right side elevational view thereof;
FIG. 6 is a top plan view thereof; and,
FIG. 7 is a bottom plan view thereof.

[56] **References Cited**

U.S. PATENT DOCUMENTS

D. 303,483 9/1989 Takahashi et al. D8/8

1 Claim, 5 Drawing Sheets



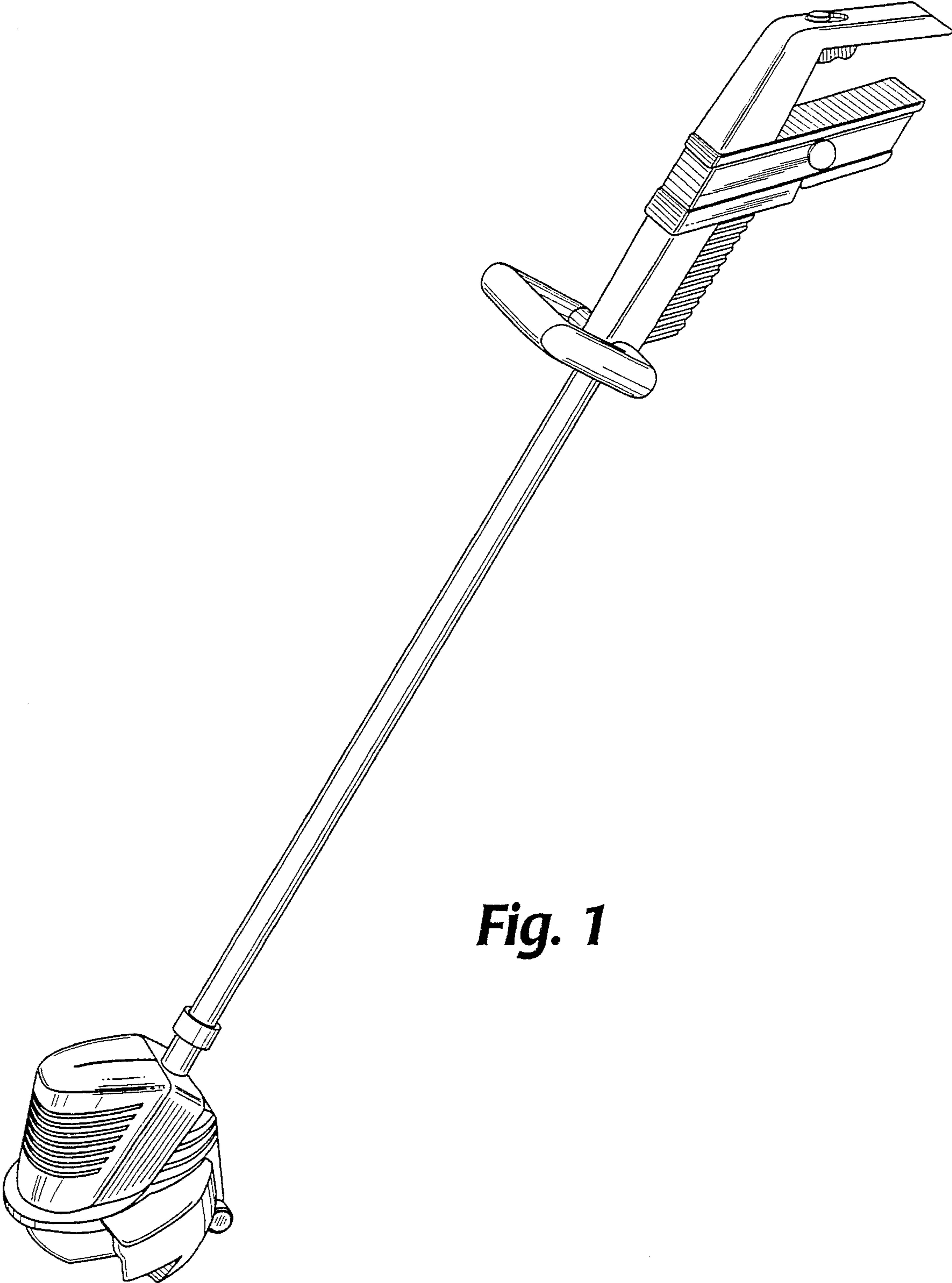


Fig. 1

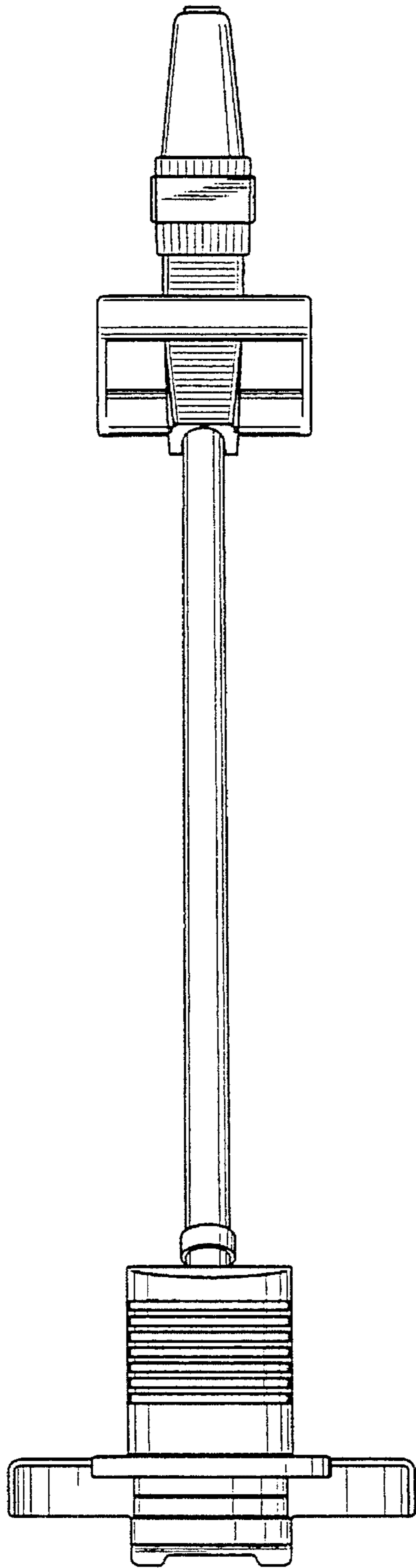


Fig. 2

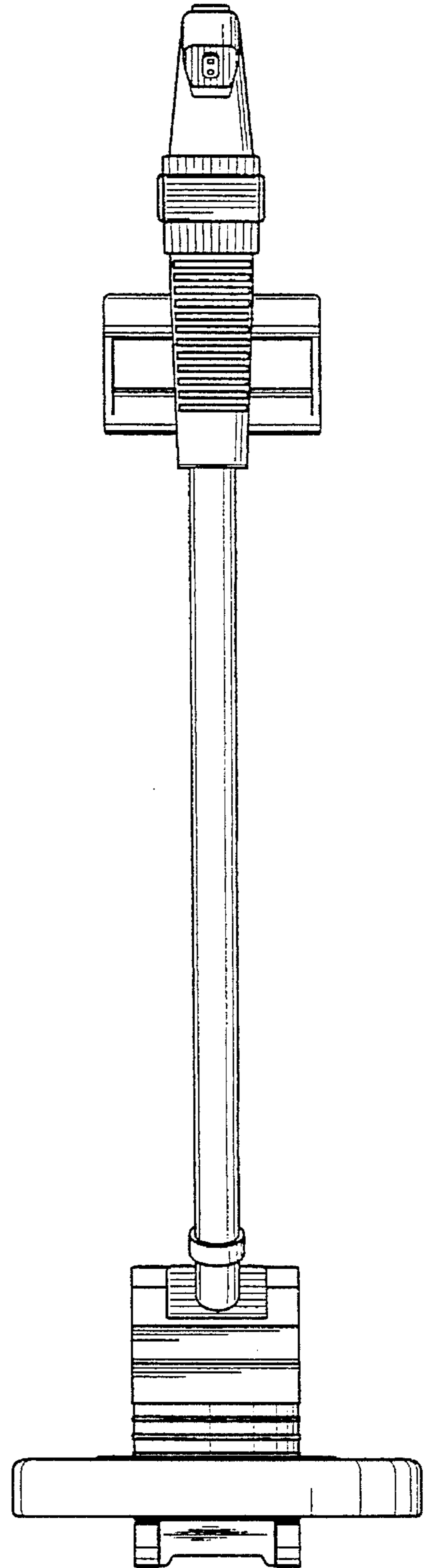


Fig. 3

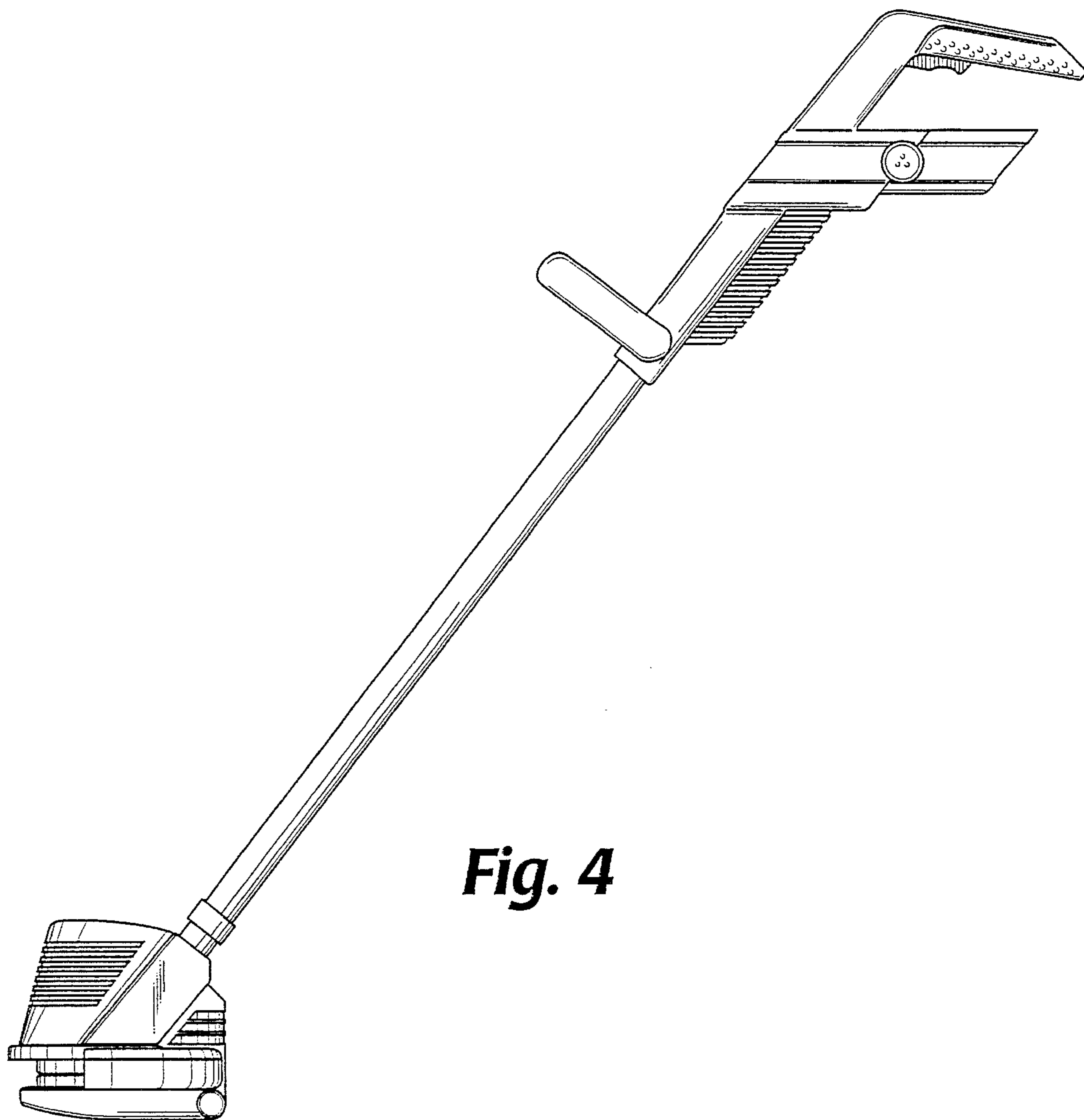


Fig. 4

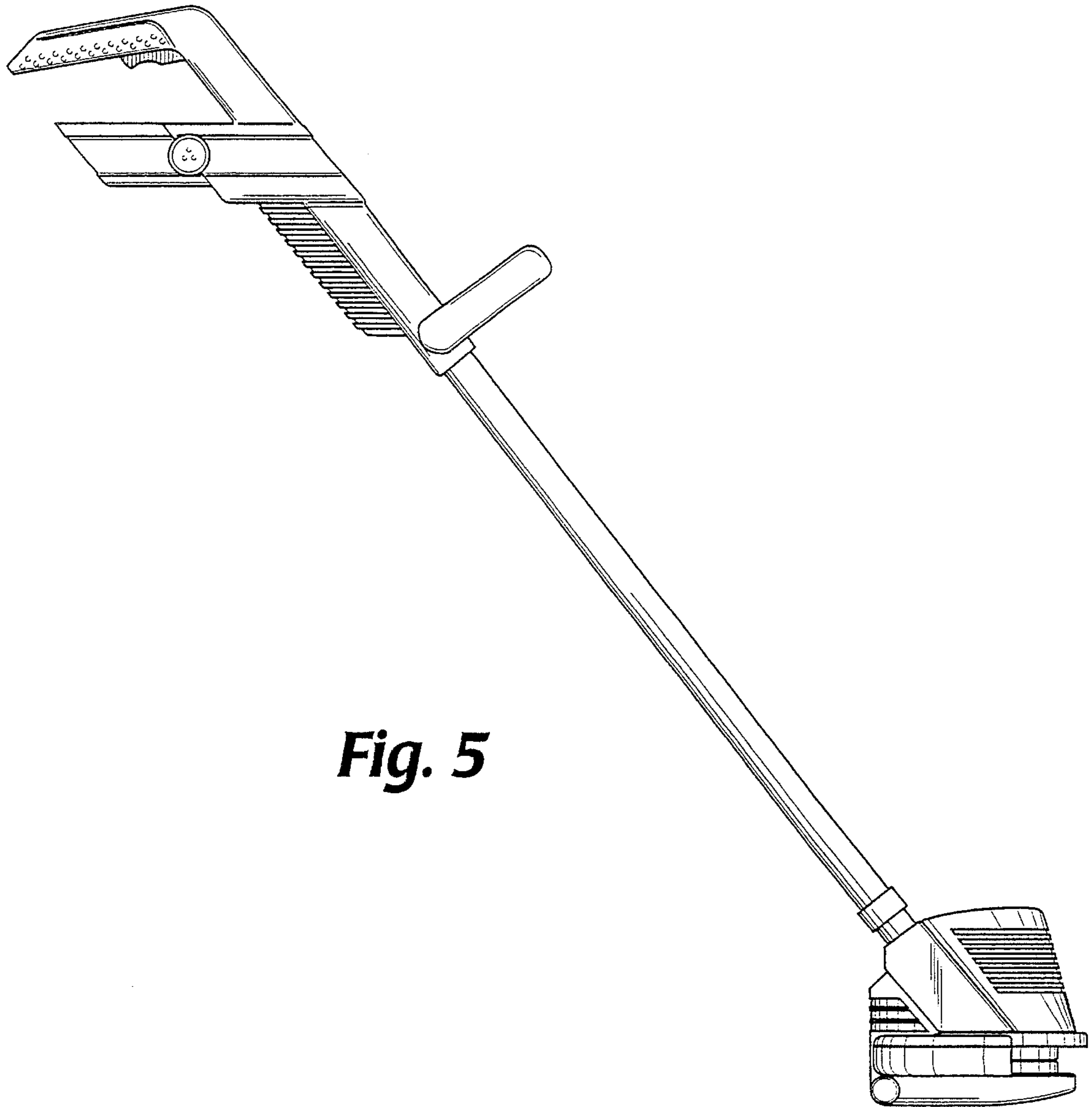


Fig. 5

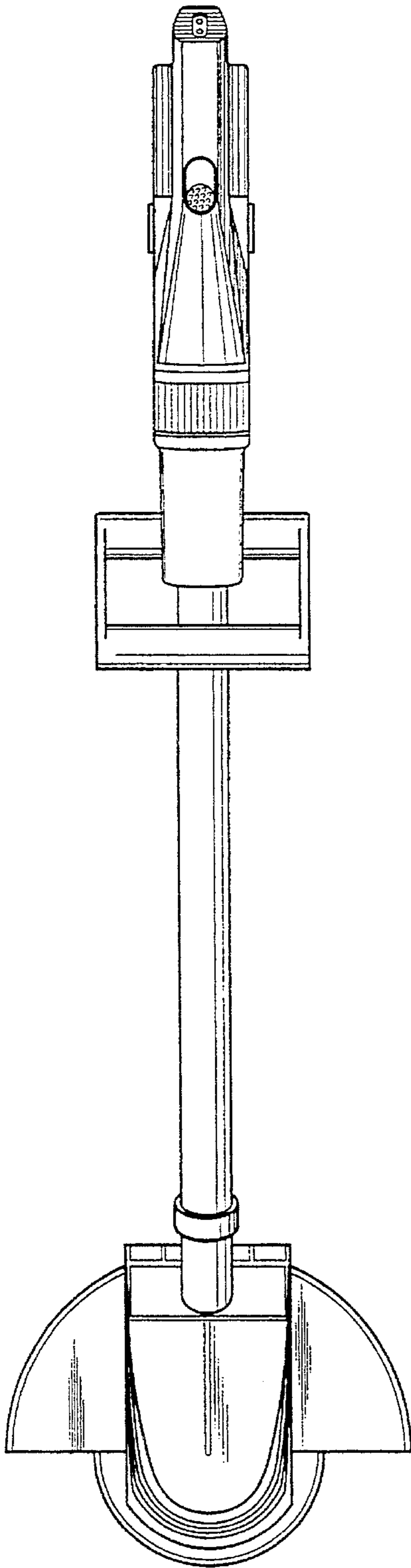


Fig. 6

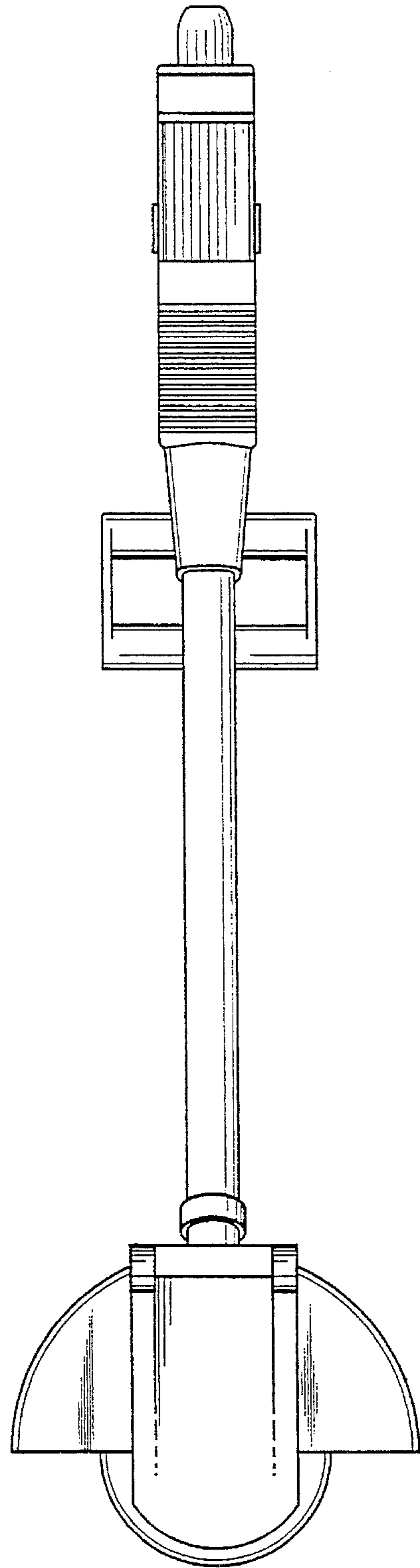


Fig. 7