



US00D368004S

United States Patent [19]

Lemcke

[11] Patent Number: **Des. 368,004**

[45] Date of Patent: ****Mar. 19, 1996**

[54] **HOUSING FOR ELECTRIC GARDEN SHEARS**

D. 307,377	4/1990	Sakamoto et al.	D8/8
D. 317,853	7/1991	Clivio	D8/8
D. 347,774	6/1994	Griffin et al.	D8/8

[75] Inventor: **Karl T. Lemcke**, Mannheim, Germany

Primary Examiner—A. Hugo Word
Assistant Examiner—Holly H. Baynham
Attorney, Agent, or Firm—Collard & Roe

[73] Assignee: **Lematec Haus- und Gartentechnik Vertriebs-GmbH**, Mannheim, Germany

[**] Term: **14 Years**

[57] **CLAIM**

[21] Appl. No.: **30,439**

The ornamental design for a housing for electric garden shears, as shown and described.

[22] Filed: **Oct. 28, 1994**

DESCRIPTION

[30] **Foreign Application Priority Data**

FIG. 1 is a perspective view of a housing for electric garden shears, showing my new design;
FIG. 2 is a front elevational view thereof;
FIG. 3 is a left side elevational view thereof;
FIG. 4 is a rear elevational view thereof;
FIG. 5 is a right side elevational view thereof;
FIG. 6 is a top plan view thereof;
FIG. 7 is a bottom plan view thereof; and,
FIG. 8 is another front elevational view showing the blade in broken line. The broken line showing of a blade is for illustrative purposes only and forms no part of the claimed design.

May 24, 1994 [DE] Germany 94 04 115.6

[52] U.S. Cl. **D8/8**

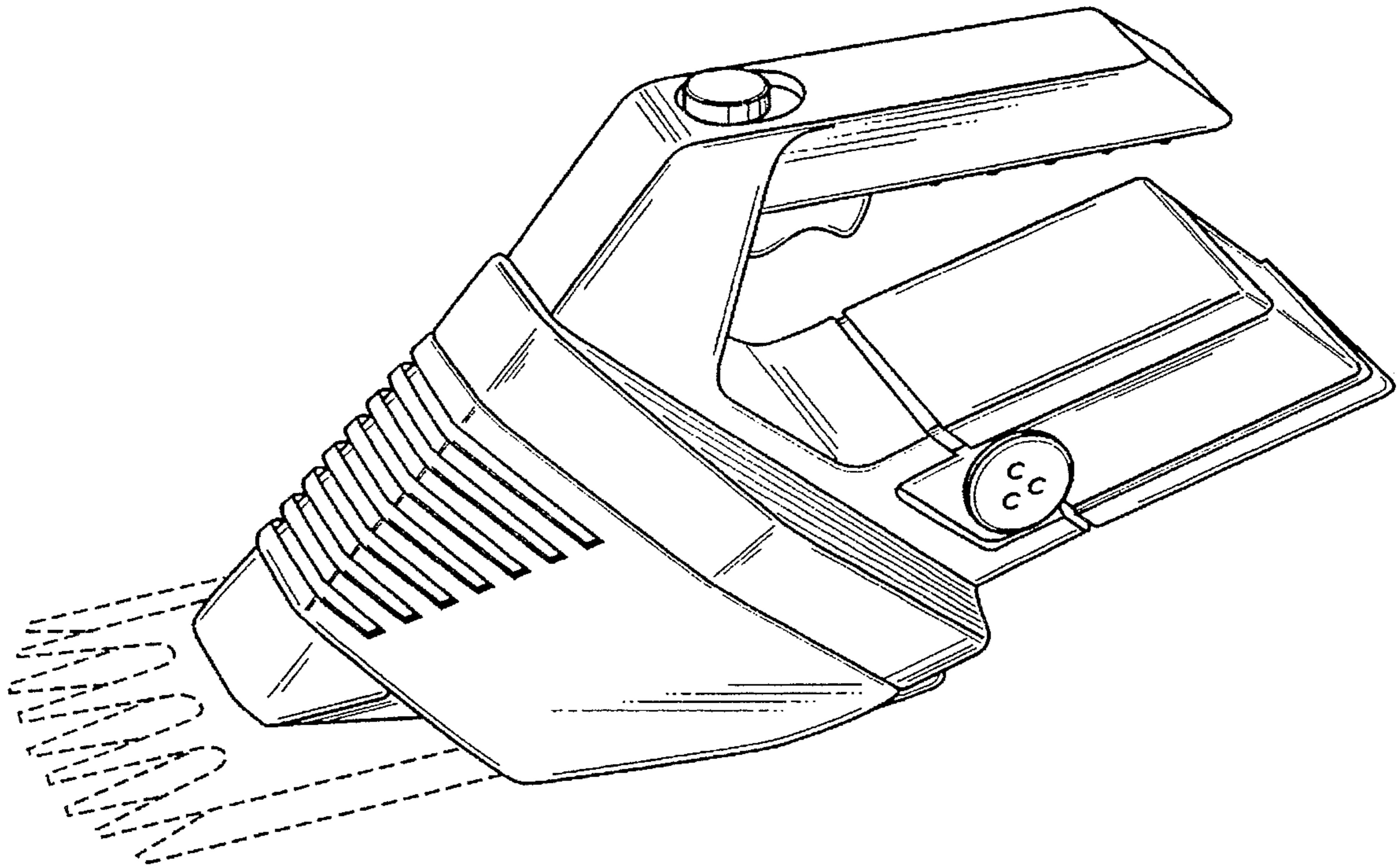
[58] Field of Search D8/8; 30/138, 30/208, 210, 228; 56/233-237

[56] **References Cited**

U.S. PATENT DOCUMENTS

D. 219,950	2/1971	Edgell	D8/8
D. 233,004	10/1974	Cosmos, Sr.	D8/8
D. 237,683	11/1975	Behnk et al.	D8/8
D. 239,496	4/1976	Raffler et al.	D8/8

1 Claim, 4 Drawing Sheets



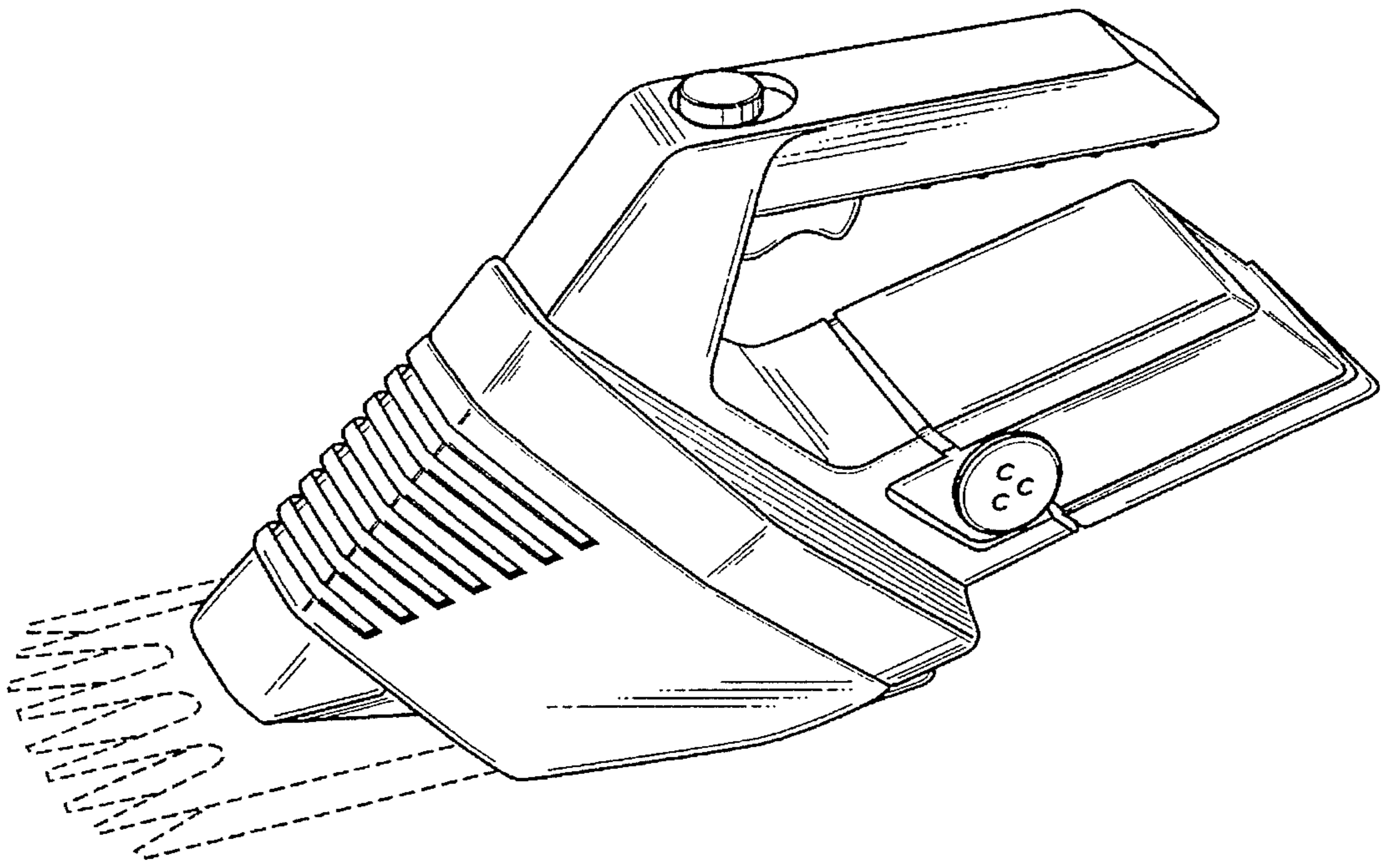


Fig. 1

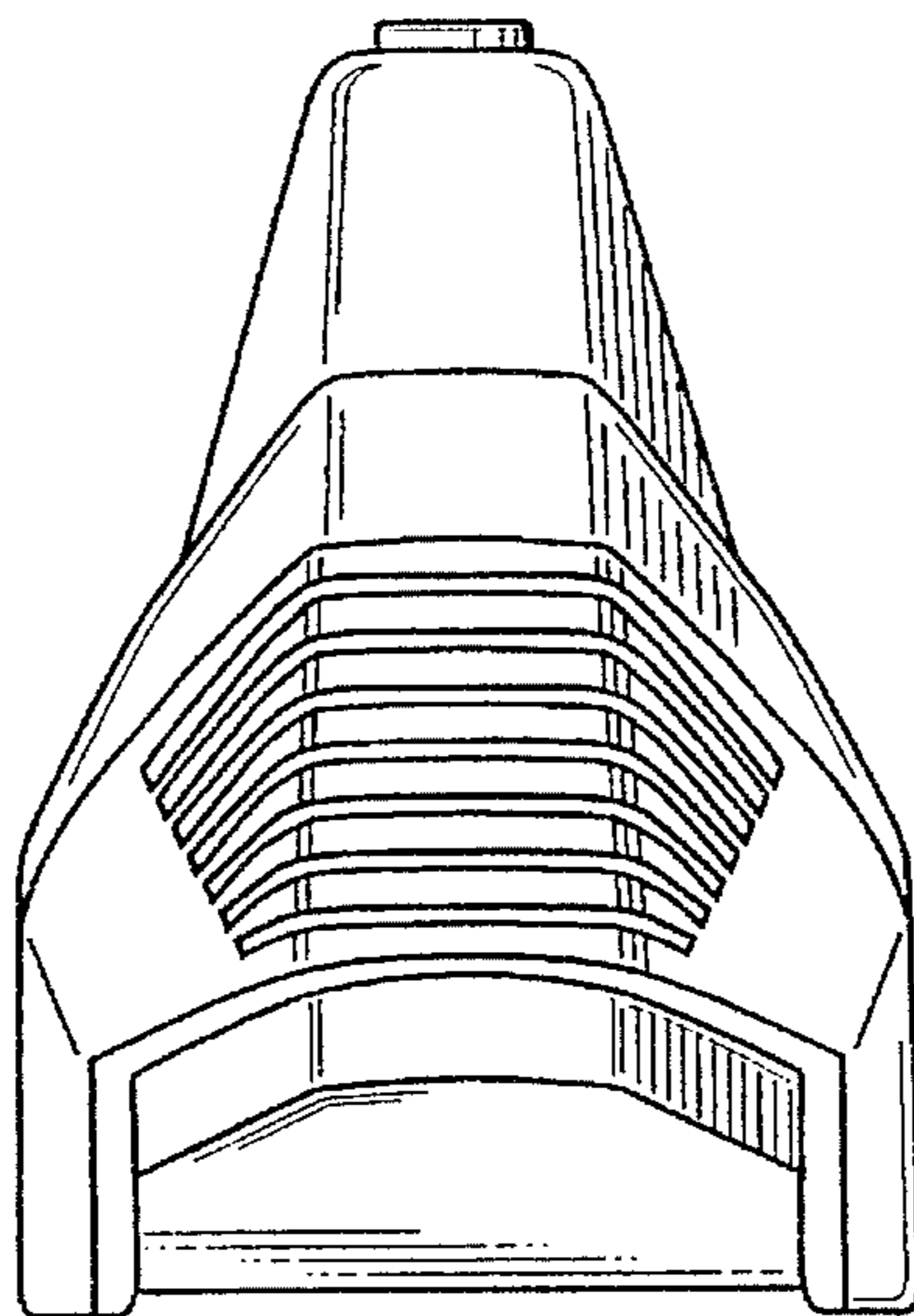


Fig. 2

Fig. 3

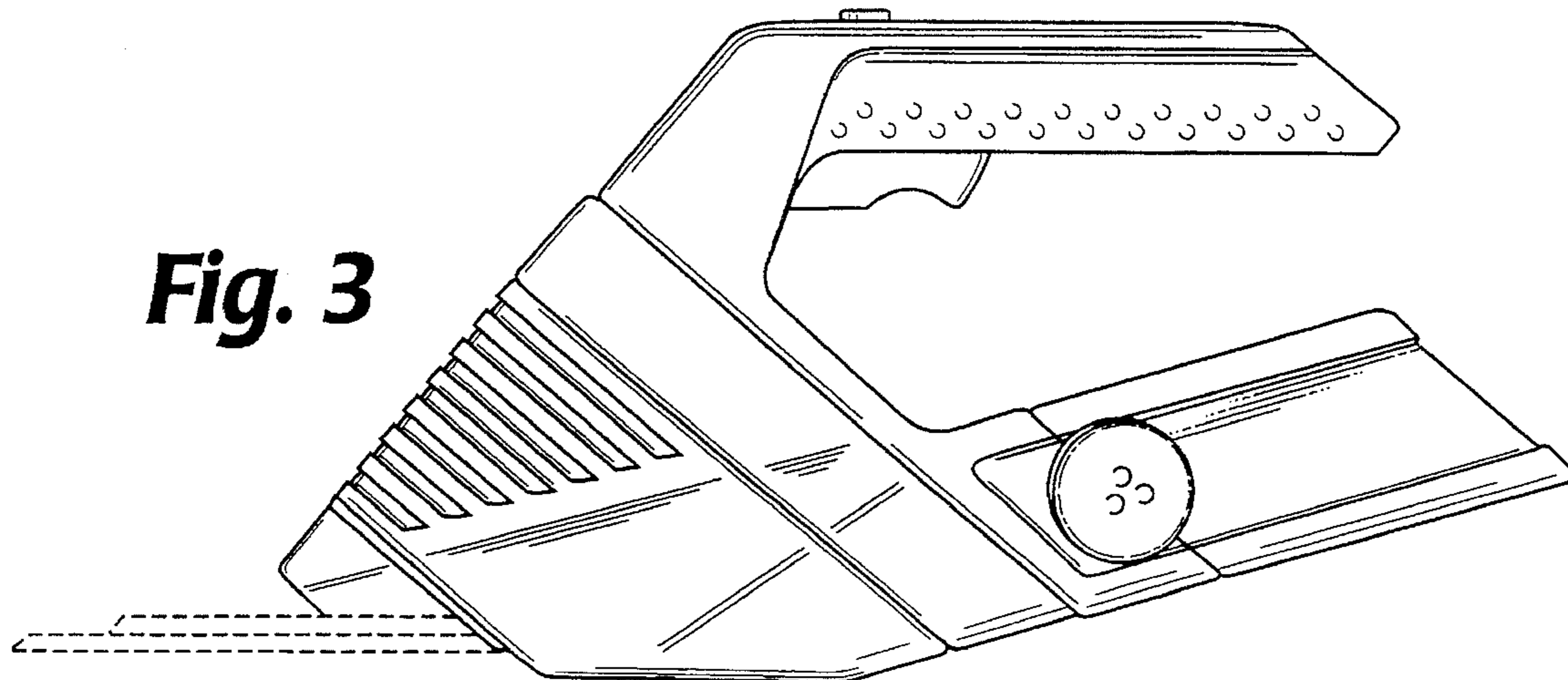


Fig. 4

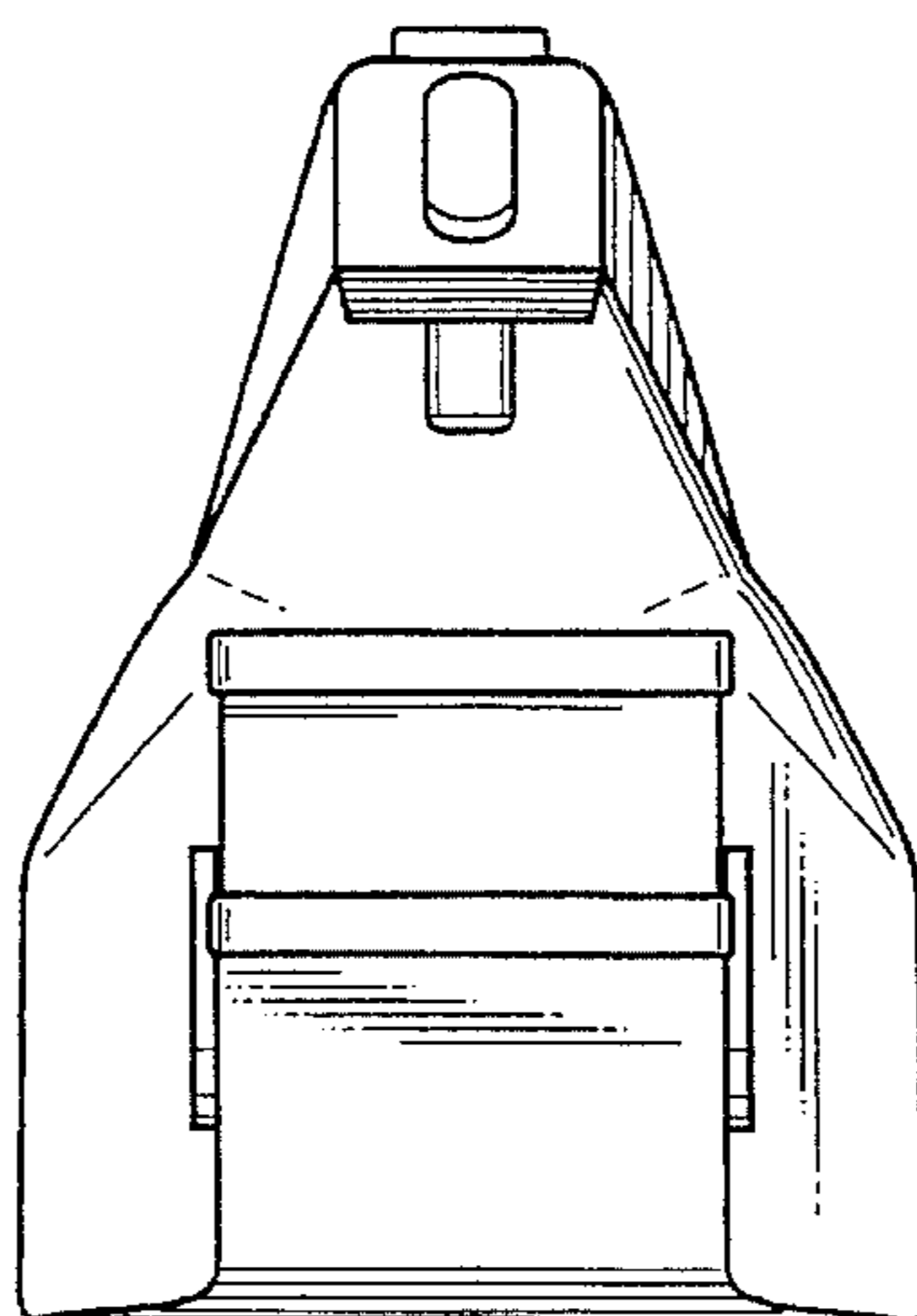
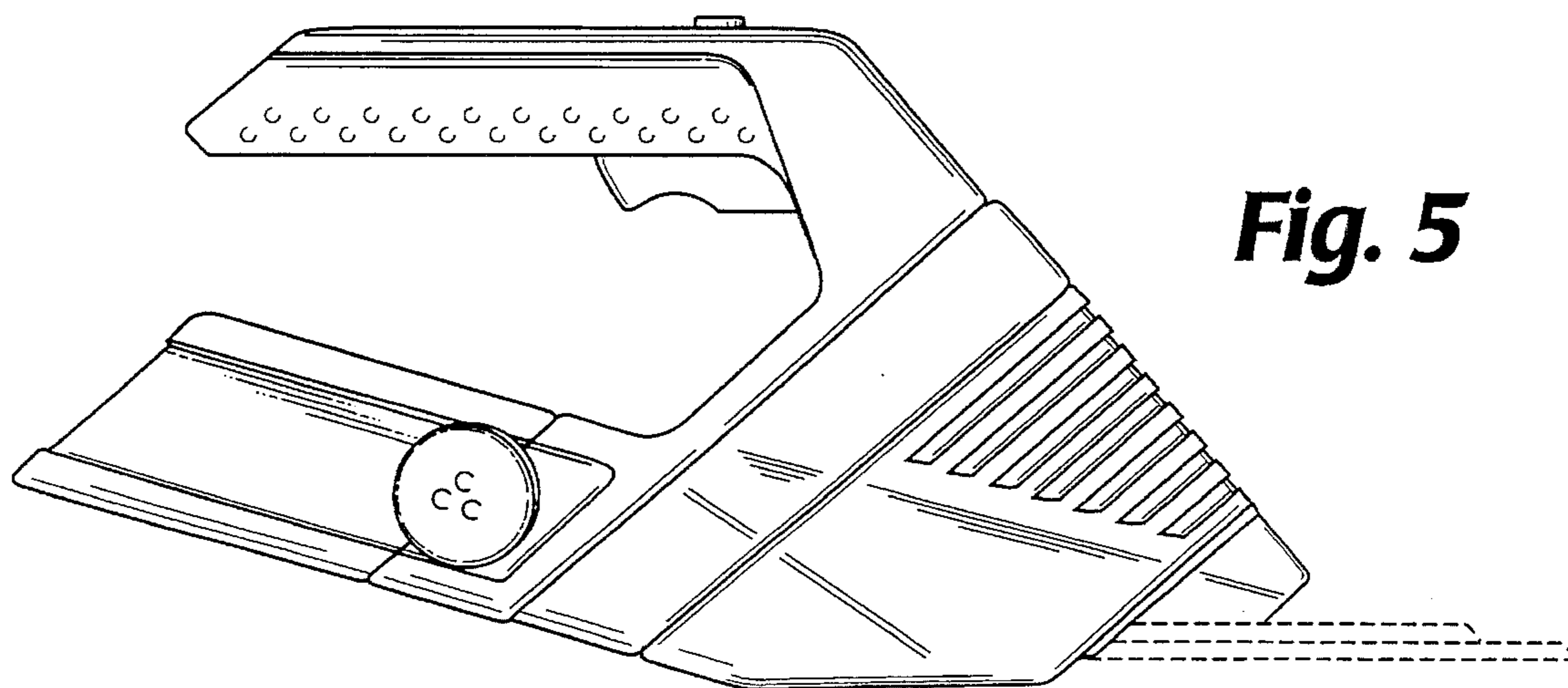


Fig. 5



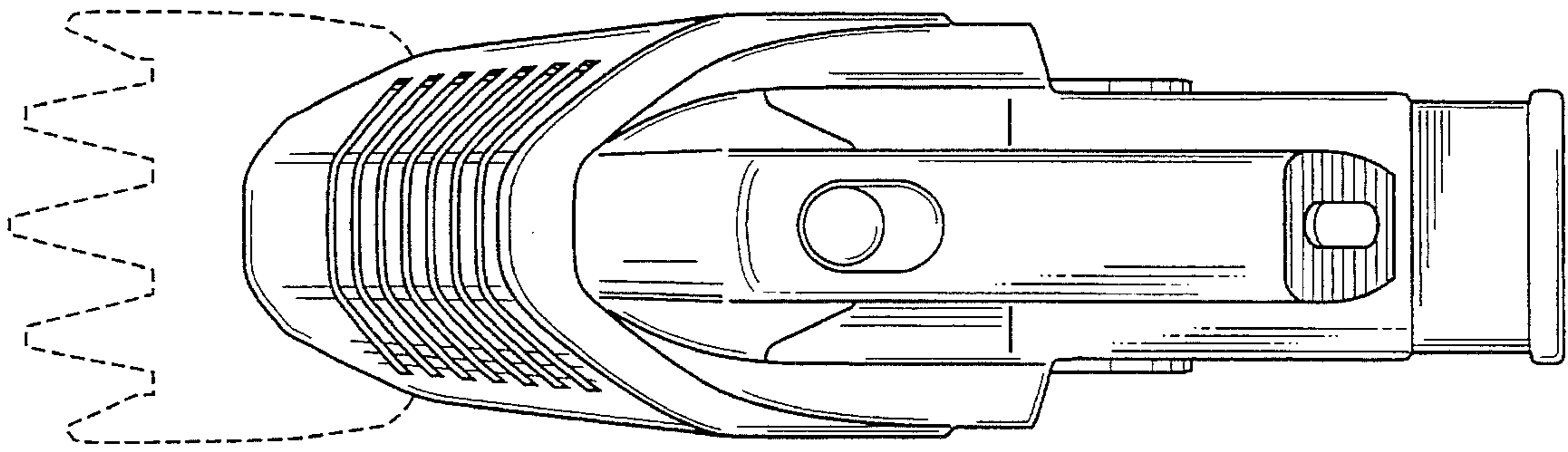


Fig. 6

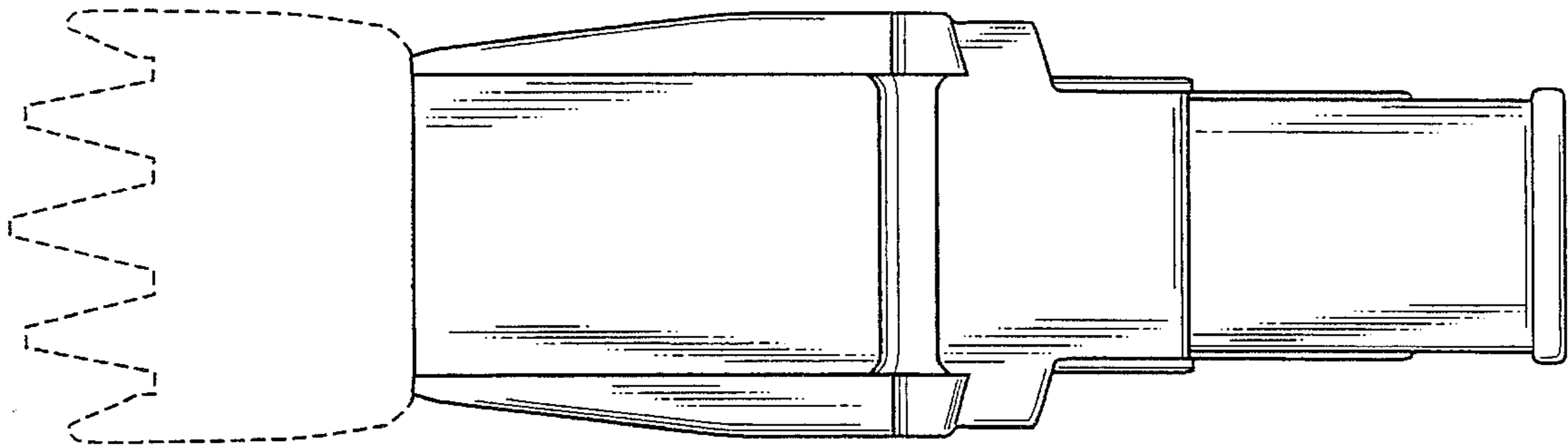


Fig. 7

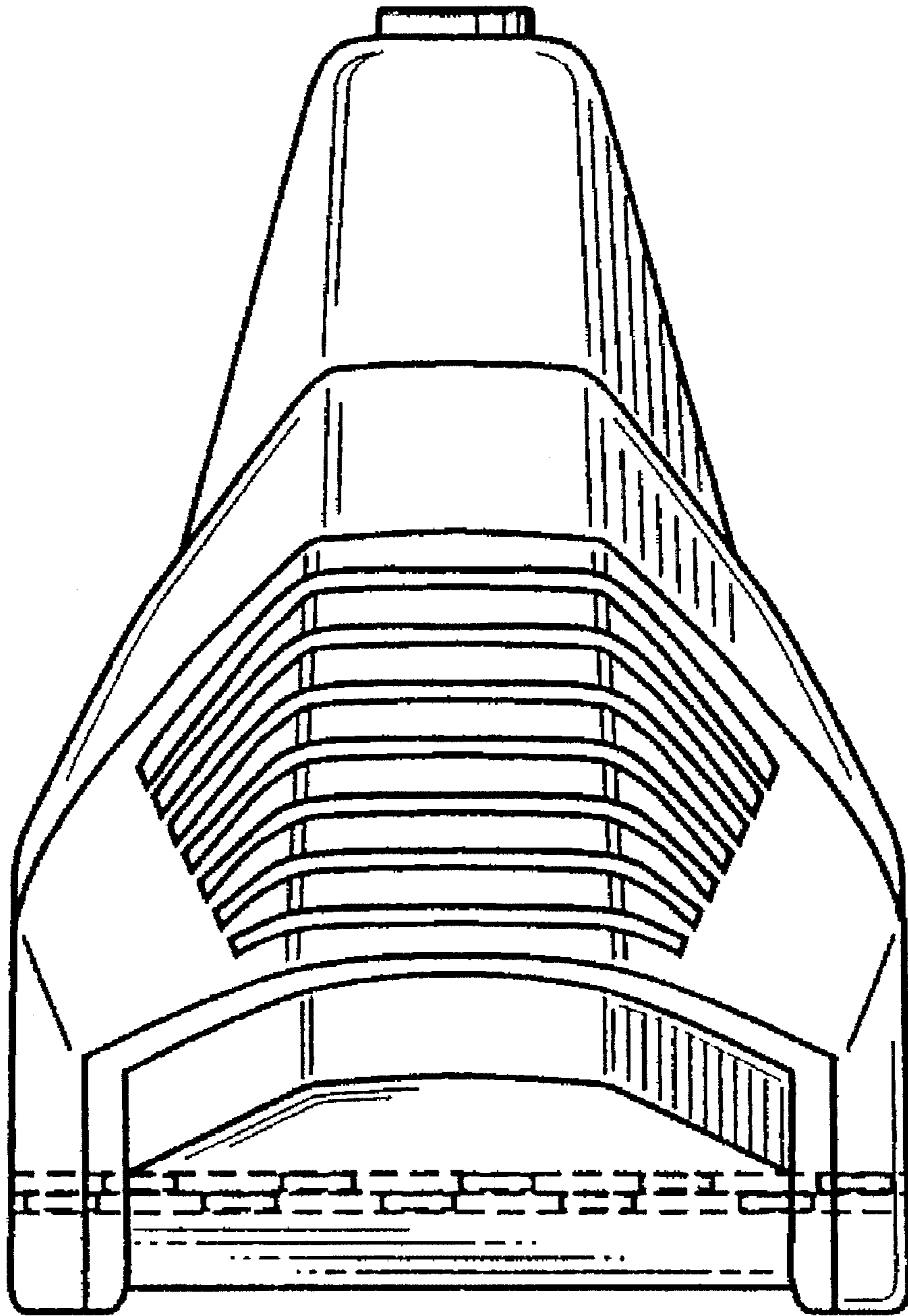


Fig. 8