



US00D368003S

United States Patent [19]
Simon

[11] **Patent Number: Des. 368,003**
[45] **Date of Patent: **Mar. 19, 1996**

[54] **LITTER RETRIEVER**

[75] Inventor: **Allen Simon**, East Northport, N.Y.

[73] Assignee: **Four Paws Products, Ltd.**, Hauppauge, N.Y.

[**] Term: **14 Years**

[21] Appl. No.: **31,375**

[22] Filed: **Nov. 23, 1994**

[52] U.S. Cl. **D8/4; D30/162**

[58] Field of Search **D8/4; D30/162; 294/1.4, 1.3**

[56] **References Cited**

U.S. PATENT DOCUMENTS

D. 351,265	10/1994	Pierce	D30/162
4,247,139	1/1981	Grieb	294/1.4
4,248,468	2/1981	Hastings	294/1.4

Primary Examiner—A. Hugo word
Assistant Examiner—Holly Baynham
Attorney, Agent, or Firm—Darby & Darby

[57] **CLAIM**

The ornamental design for a litter retriever, as shown and described.

DESCRIPTION

FIG. 1 is a perspective view of a preferred embodiment of the litter retriever;

FIG. 2 is a front elevational view thereof;

FIG. 3 is a right side elevational view thereof, the left side elevational view being a mirror image of the right side view;

FIG. 4 is a top plan view thereof;

FIG. 5 is a bottom plan view thereof; and,

FIG. 6 is a rear elevational view thereof.

1 Claim, 4 Drawing Sheets

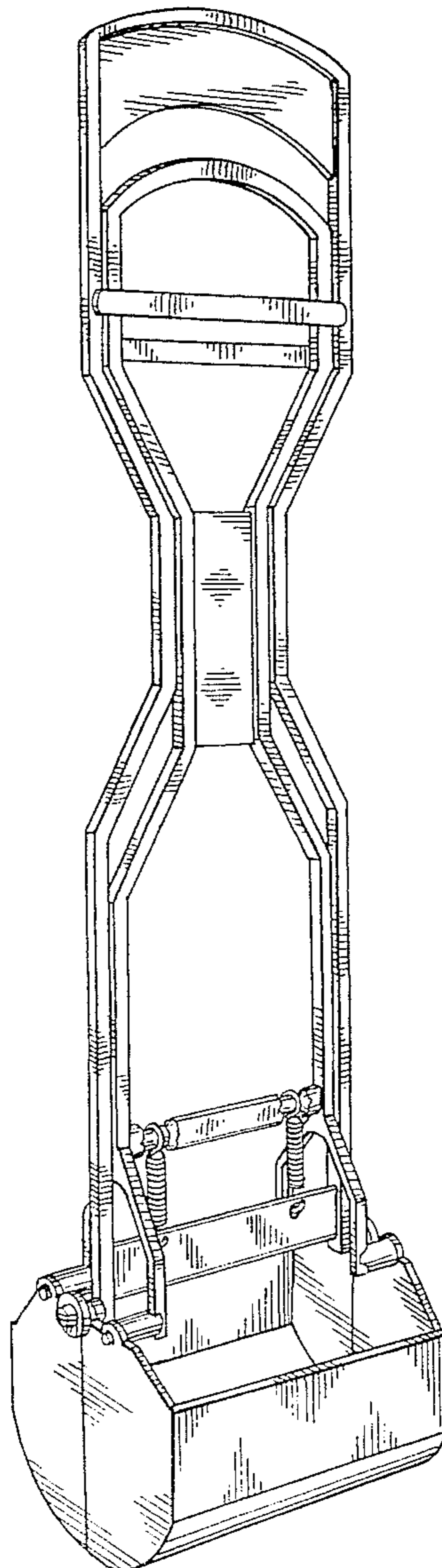


FIG. 1

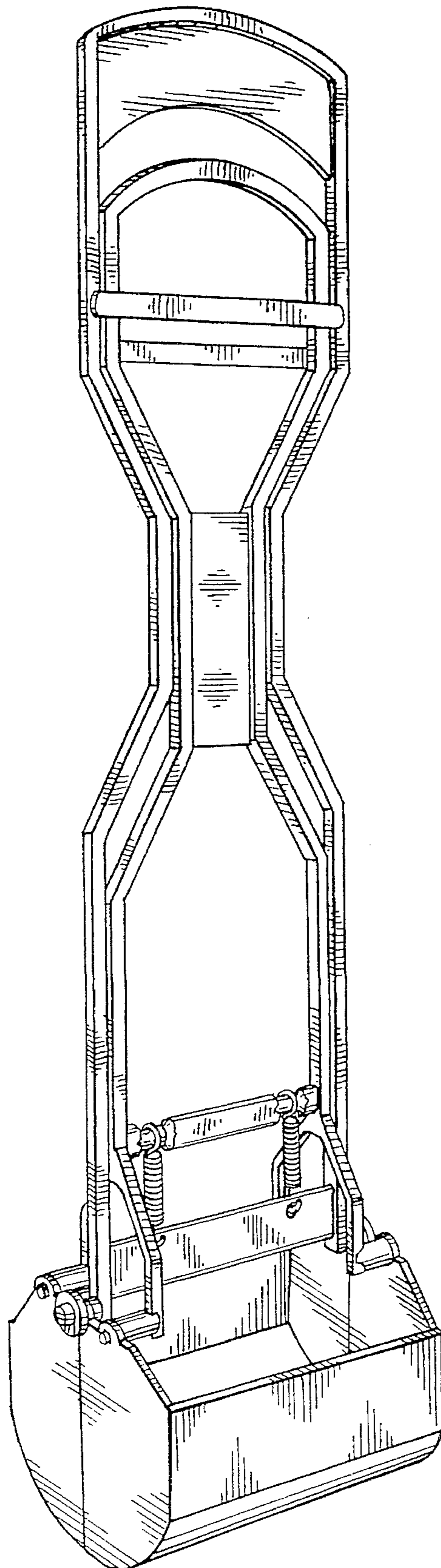


FIG. 2

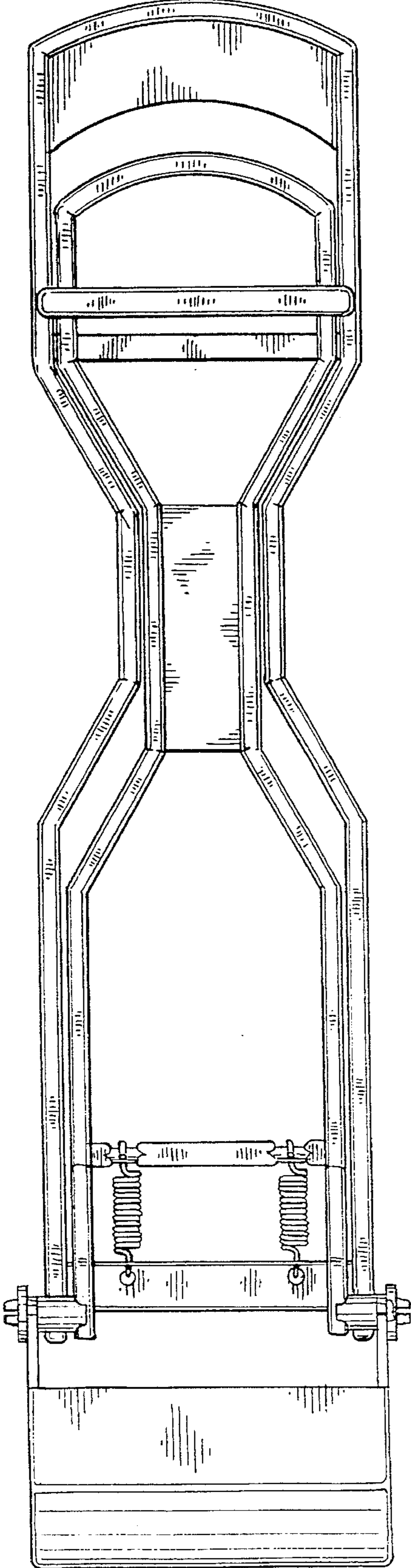


FIG. 3

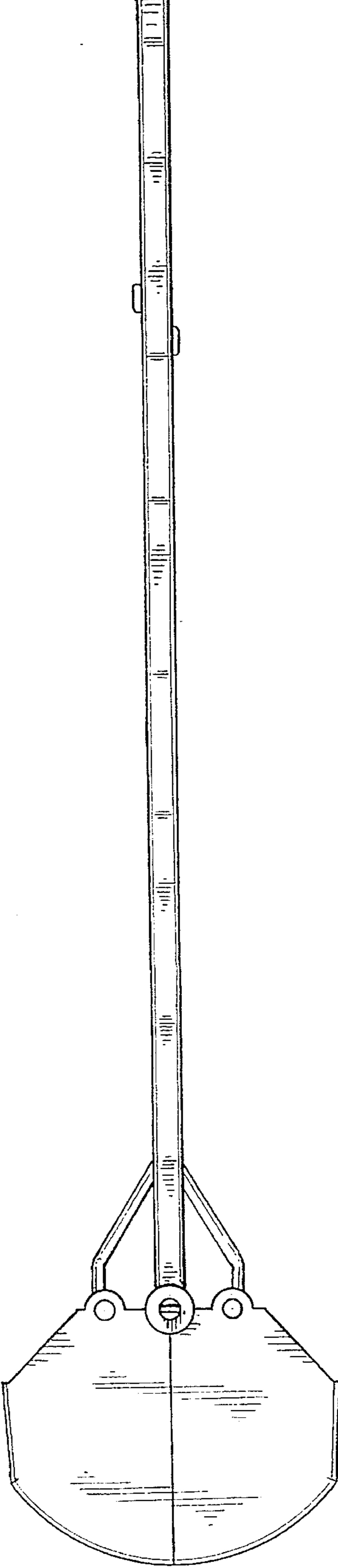


FIG. 4

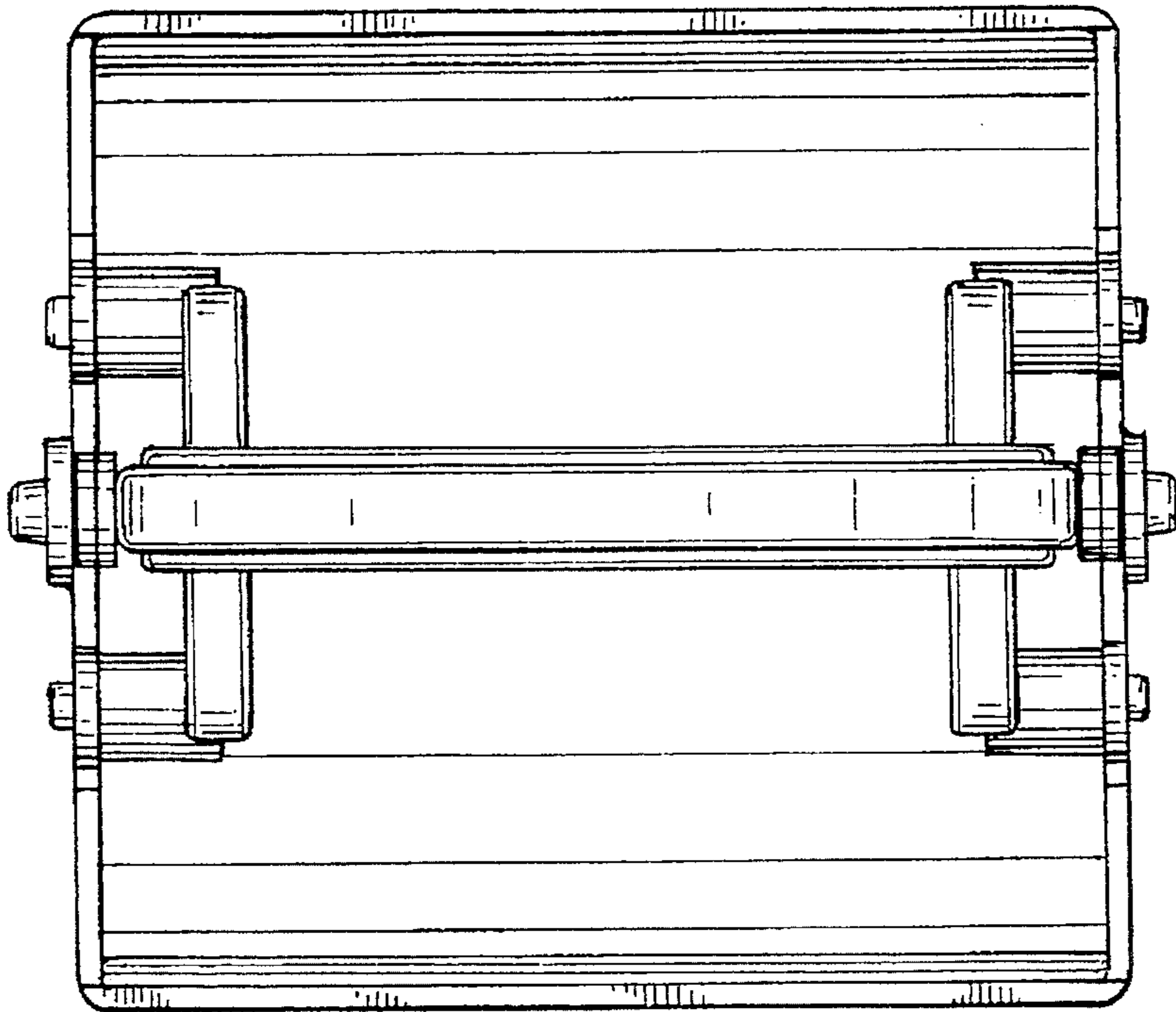


FIG. 5

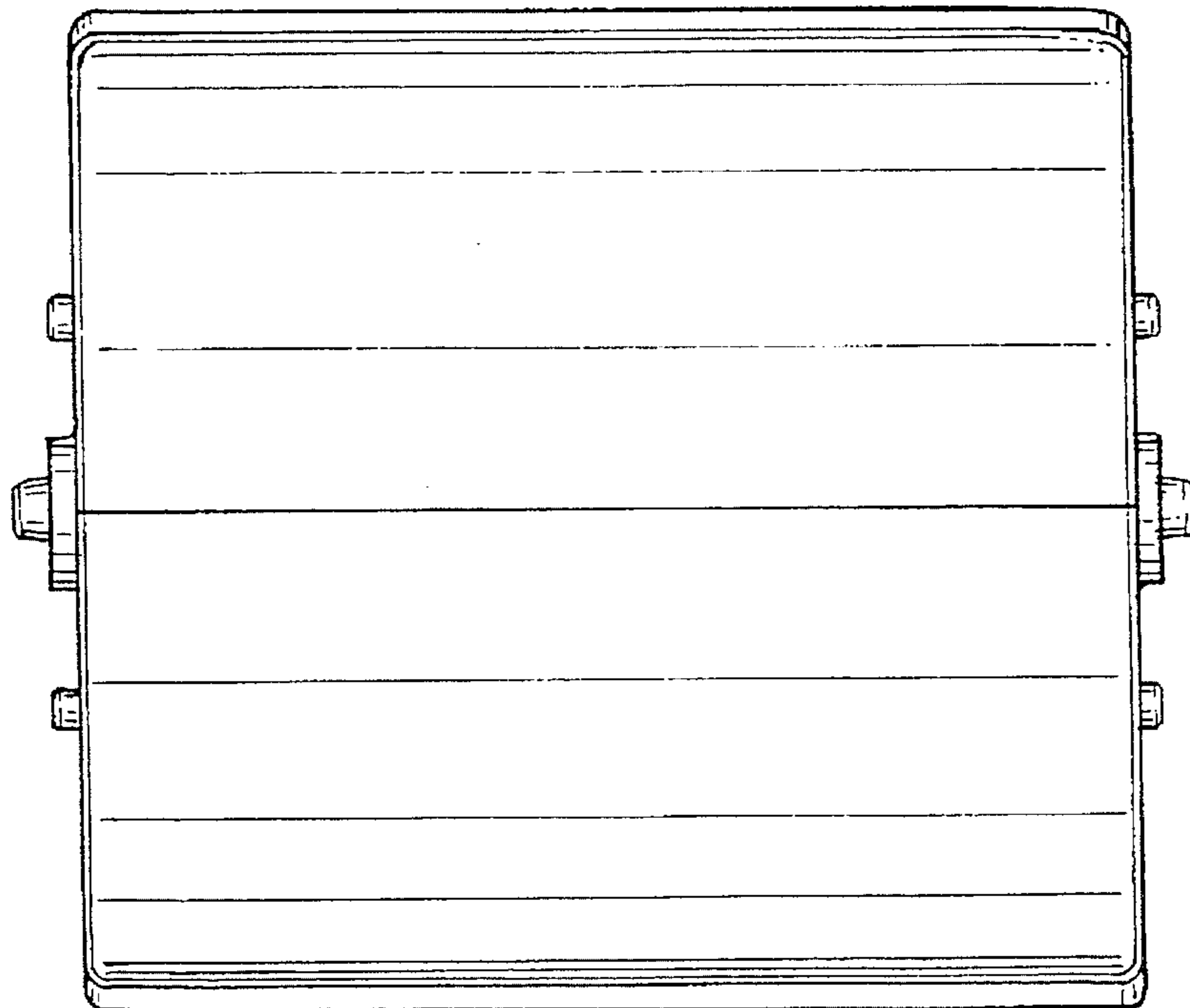


FIG. 6

