



US00D368002S

# United States Patent [19] Henson

[11] **Patent Number: Des. 368,002**  
[45] **Date of Patent: \*\*Mar. 19, 1996**

[54] **FENCE EDGE**  
[76] Inventor: **Victor C. Henson**, 532 24th Ave., Rock Island, Ill. 61201  
[\*\*] Term: **14 Years**  
[21] Appl. No.: **28,106**  
[22] Filed: **Sep. 7, 1994**  
[52] U.S. Cl. .... **D8/1; D25/164**  
[58] Field of Search ..... **D25/164, 128, D25/131, 121, 119; D8/1; 256/30, 31, 1, 63, 64, 32**

4,595,175 6/1986 Karffman et al. .... 256/1  
5,178,369 1/1993 Syx ..... 256/32

*Primary Examiner*—Doris Clark  
*Attorney, Agent, or Firm*—Harpman & Harpman

### [57] CLAIM

The ornamental design for a fence edge, as shown and described.

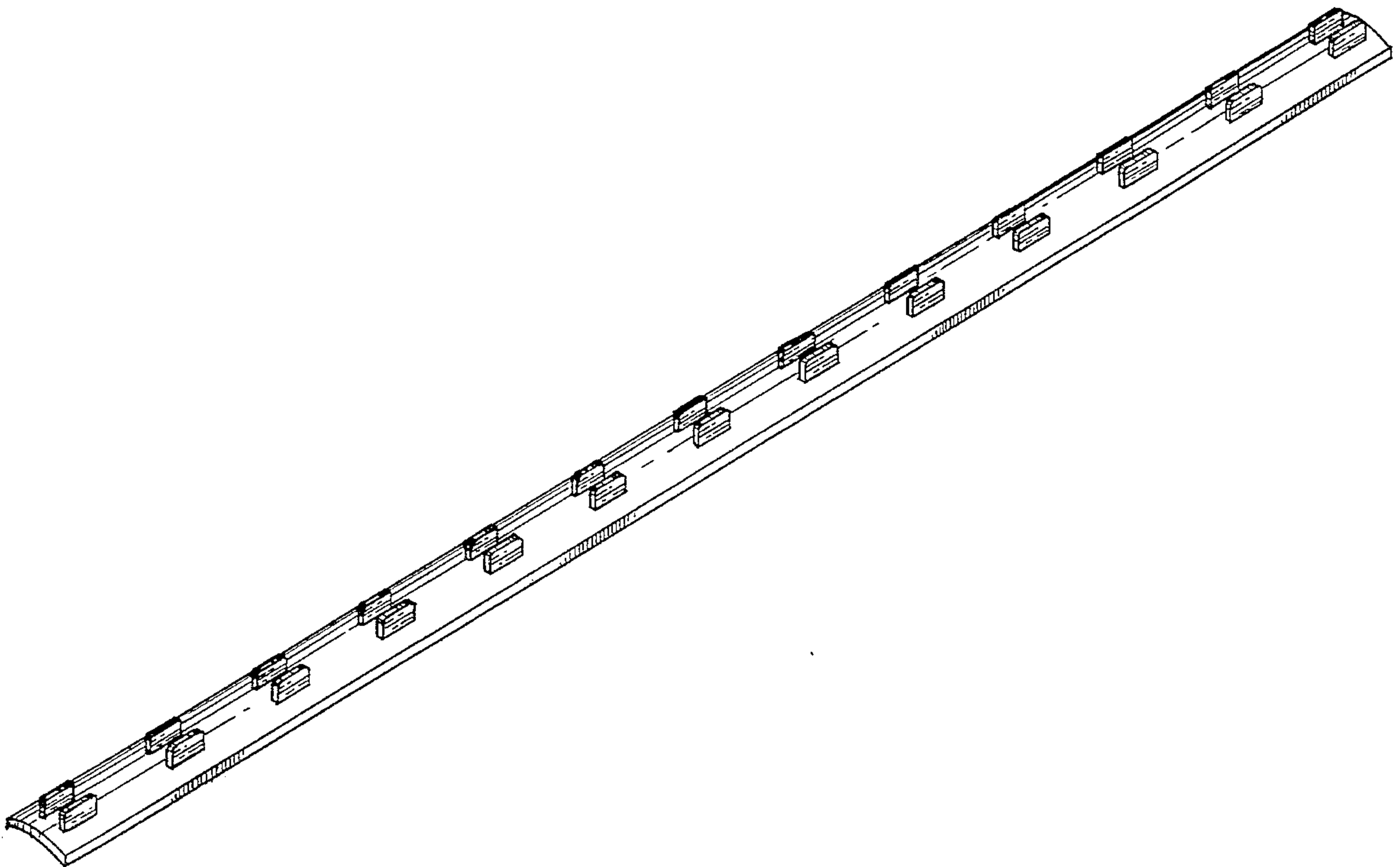
### DESCRIPTION

FIG. 1 is a front, top and side perspective view of the fence edge embodying the design of the present invention; FIG. 2 is a front elevational view thereof; FIG. 3 is a side view thereof; FIG. 4 is a top plan view thereof; and, FIG. 5 is a bottom plan view thereof.

### [56] References Cited U.S. PATENT DOCUMENTS

D. 316,951 5/1991 Groves ..... D8/1  
4,515,349 5/1985 Groves ..... 256/1

**1 Claim, 2 Drawing Sheets**



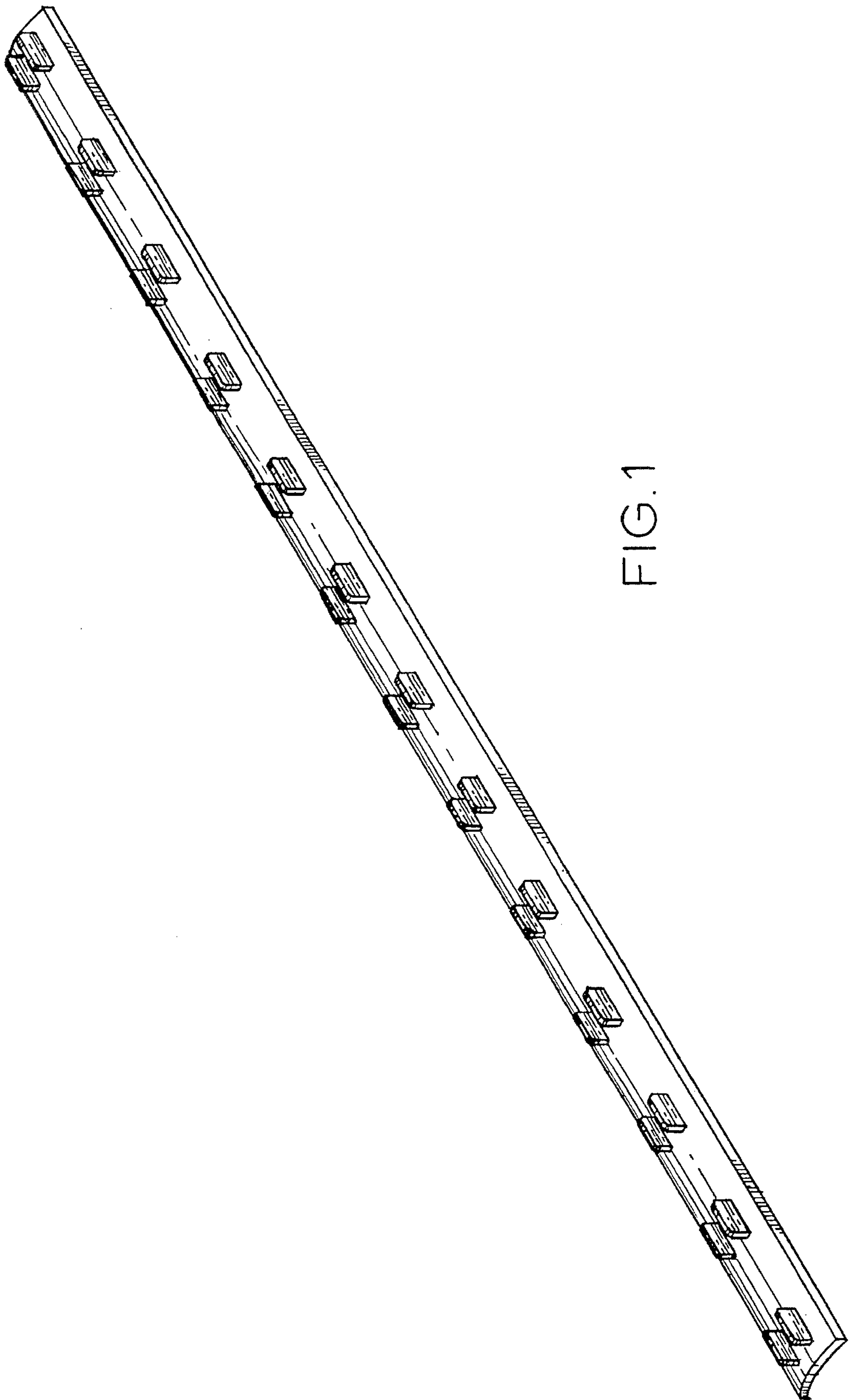


FIG.1



FIG. 2

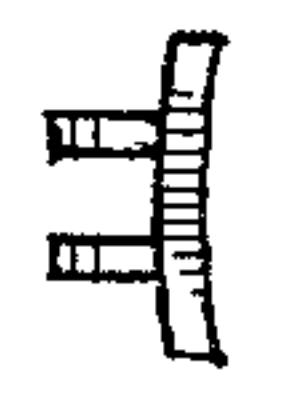


FIG. 3

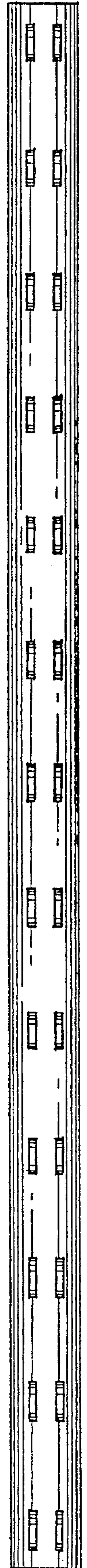


FIG. 4



FIG. 5