



US00D367993S

United States Patent [19]

McClellan

[11] Patent Number: **Des. 367,993**

[45] Date of Patent: ****Mar. 19, 1996**

[54] SANDWICH TOASTER

D. 299,609 1/1989 Madl D7/352
D. 342,417 12/1993 McClellan D7/352

[75] Inventor: **John W. McClellan**, Sydney, Australia

[73] Assignee: **Breville Pty Ltd.**, Sydney, Australia

[**] Term: **14 Years**

Primary Examiner—Alan P. Douglas
Assistant Examiner—Caron D. Veynar
Attorney, Agent, or Firm—Jacobson, Price, Holman & Stern

[21] Appl. No.: **30,291**

[22] Filed: **Oct. 26, 1994**

[57] **CLAIM**

The ornamental design for a sandwich toaster, as shown and described.

[30] **Foreign Application Priority Data**

DESCRIPTION

Apr. 28, 1994 [AU] Australia 1321/94

[52] U.S. Cl. **D7/352; D7/328**

[58] Field of Search D7/323, 328-330,
D7/352, 353; 99/372, 374, 376, 377, 379;
219/524, 525

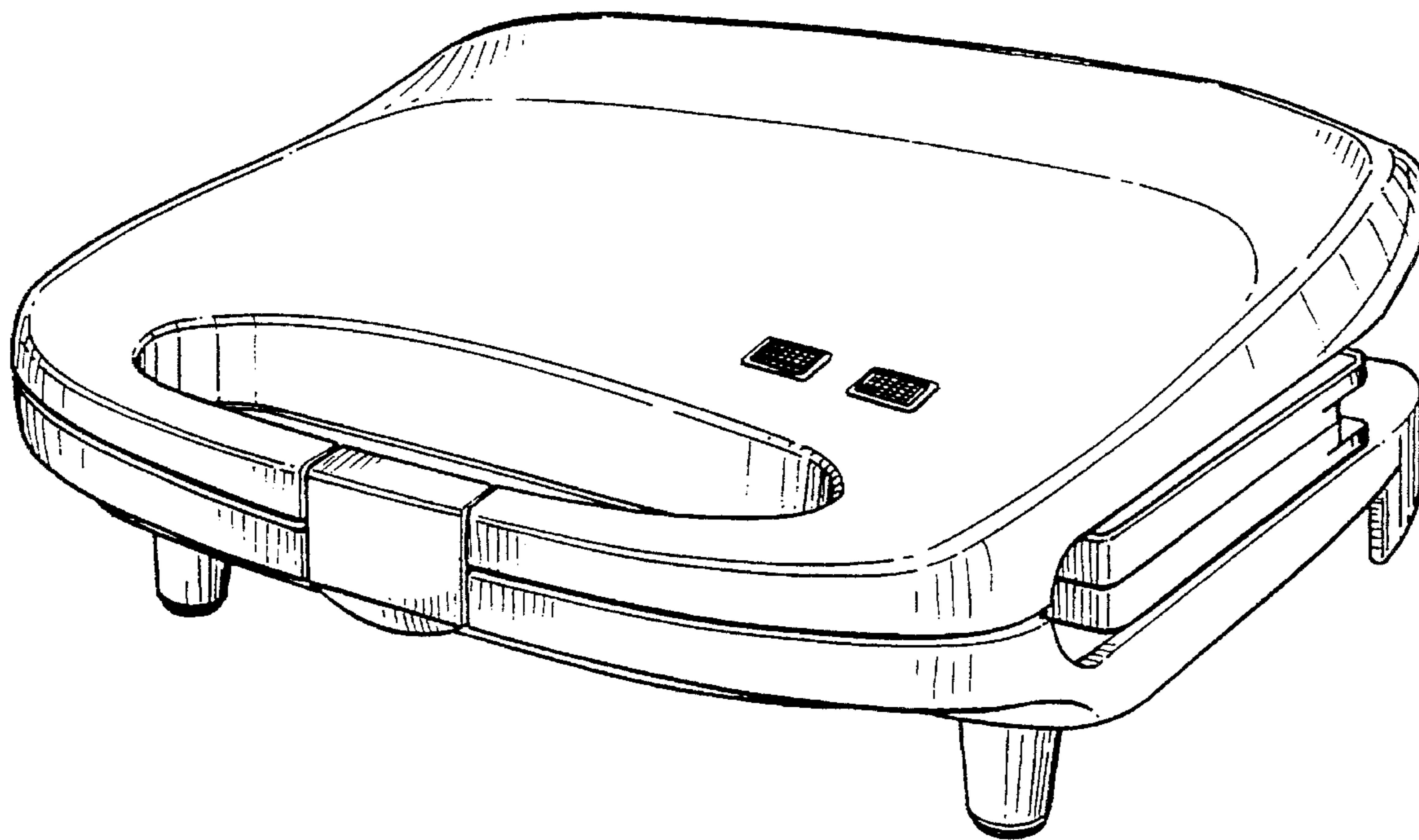
FIG. 1 is a perspective view of a sandwich toaster according to the invention;
FIG. 2 is a plan view thereof;
FIG. 3 is a front elevation thereof;
FIG. 4 is a side elevation from the left;
FIG. 5 is a plan view from beneath;
FIG. 6 is a side elevation from the right; and,
FIG. 7 is a rear elevation.

[56] **References Cited**

U.S. PATENT DOCUMENTS

D. 278,305 4/1985 Madl et al. D7/352

1 Claim, 3 Drawing Sheets



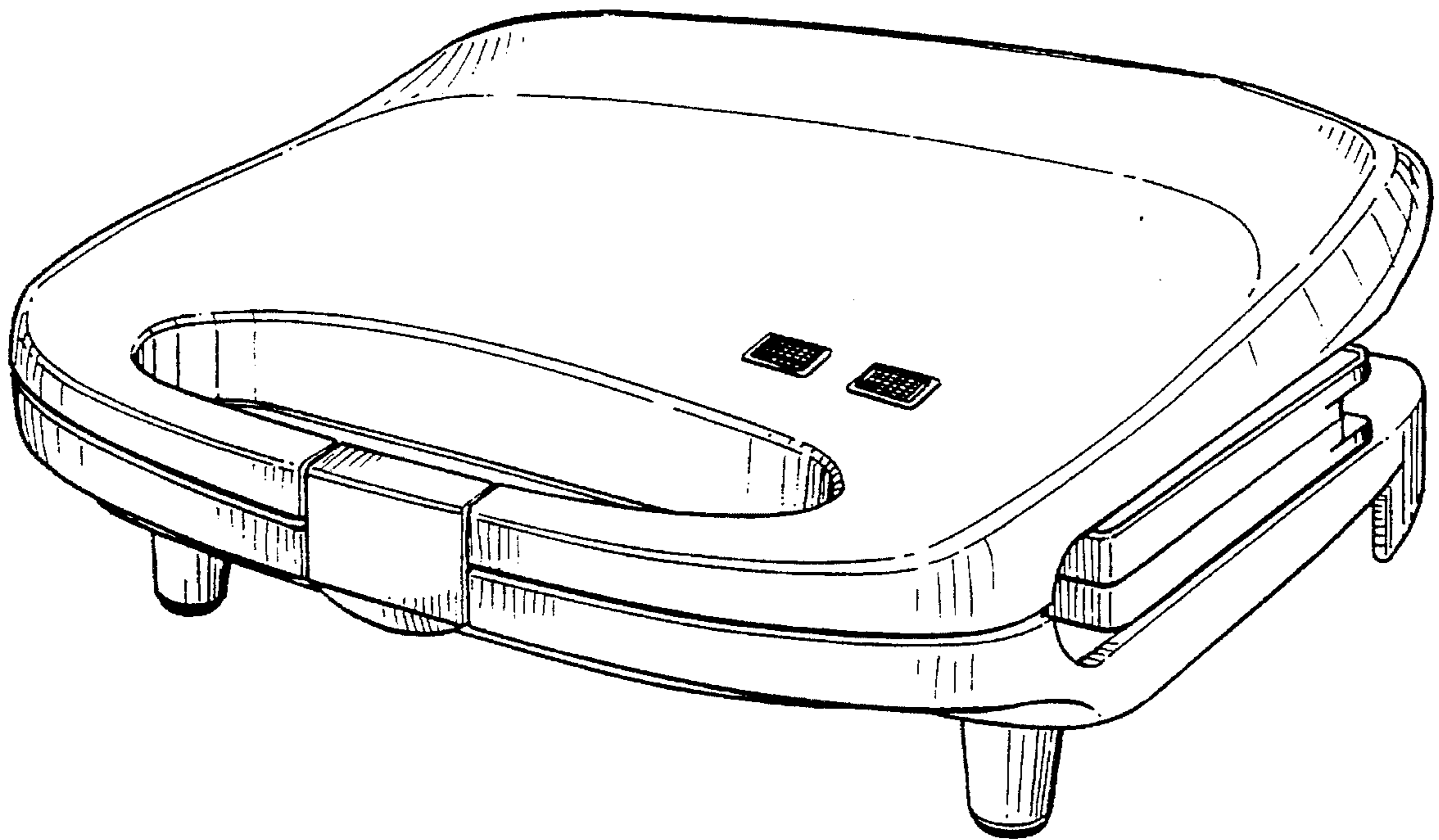


FIG. 1

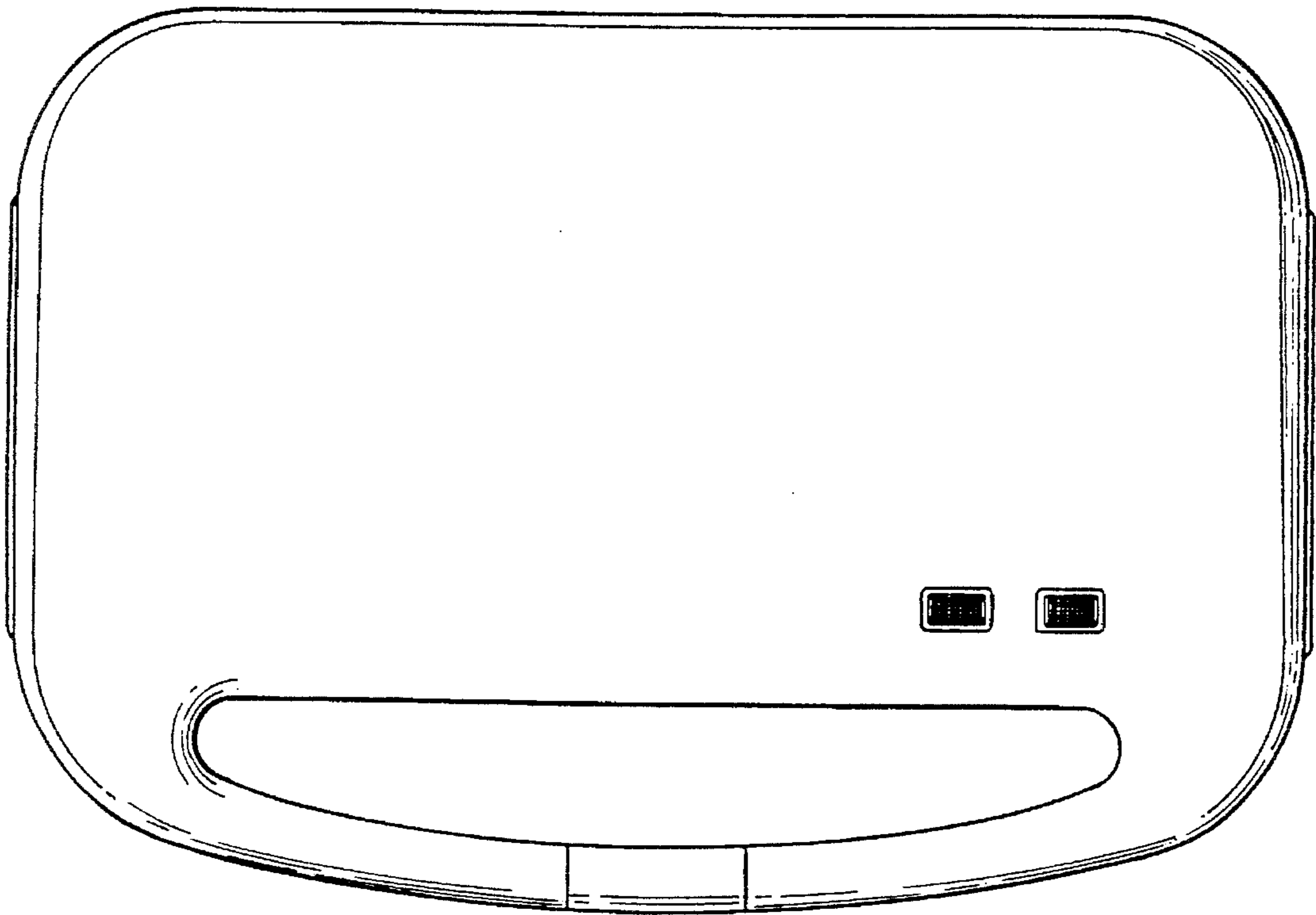


FIG. 2

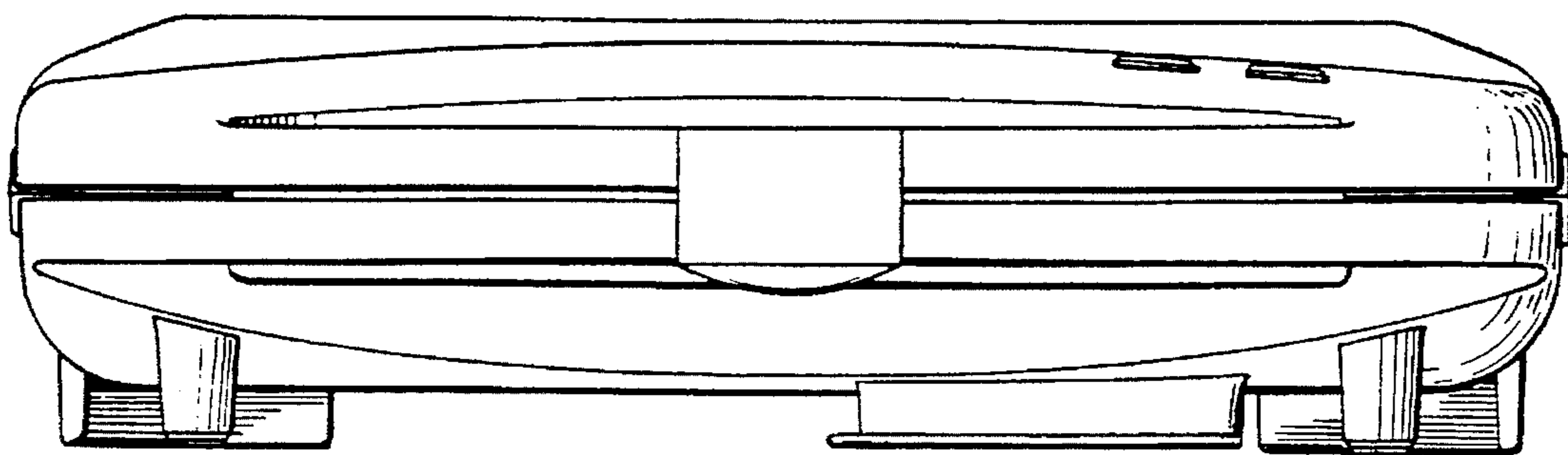


FIG. 3

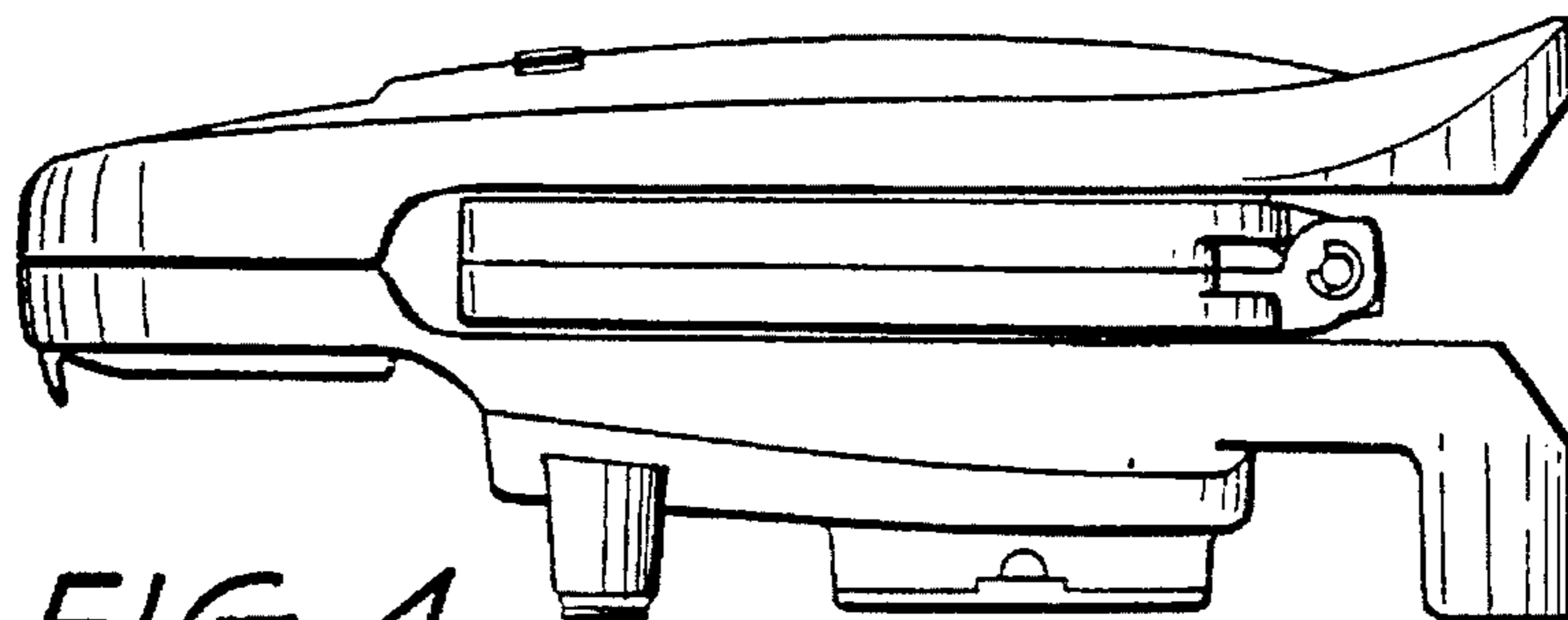


FIG. 4

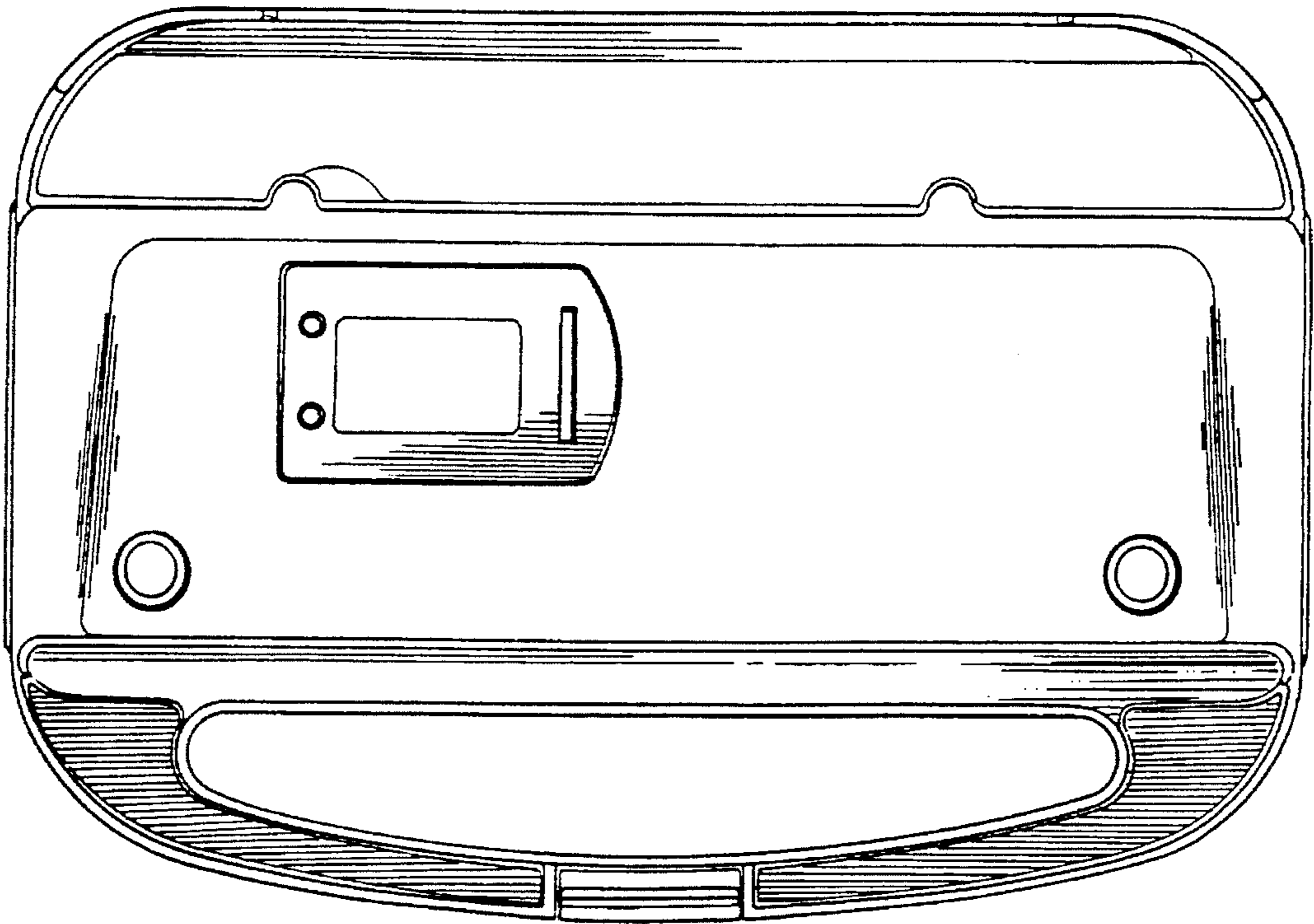


FIG. 5

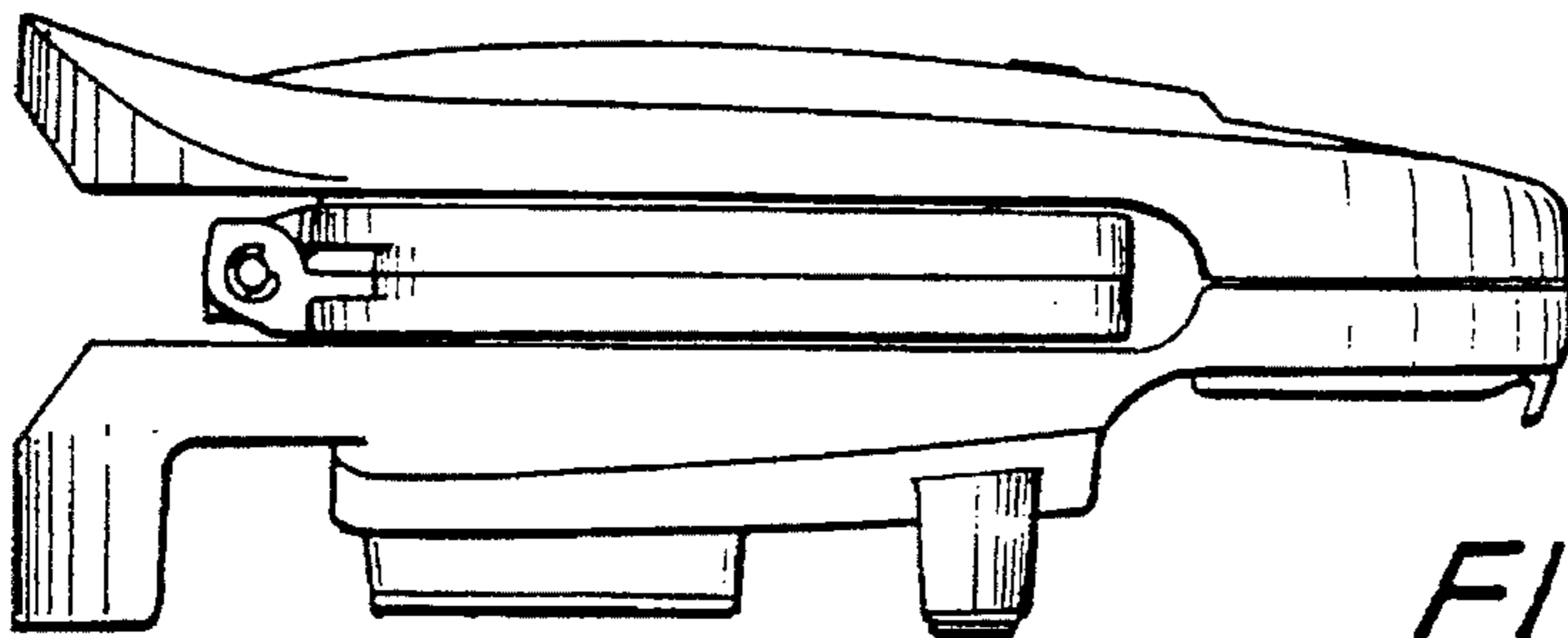


FIG. 6

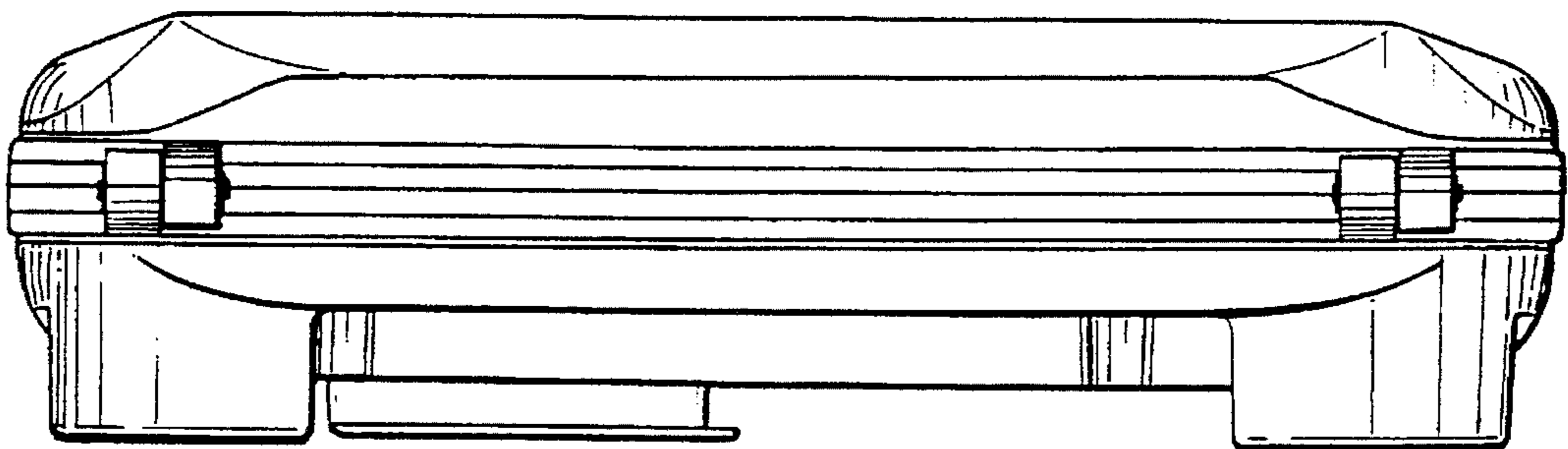


FIG. 7