



US00D367990S

United States Patent [19]

Roze

[11] Patent Number: **Des. 367,990**

[45] Date of Patent: ****Mar. 19, 1996**

[54] **TOASTER**

D. 338,131 8/1993 Stützer D7/330

[75] Inventor: **Gilles Roze**, Selongey, France

Primary Examiner—Alan P. Douglas

Assistant Examiner—Caron D. Veynar

[73] Assignee: **SEB**, Selongey, France

Attorney, Agent, or Firm—Loeb and Loeb

[**] Term: **14 Years**

[57] **CLAIM**

The ornamental design for a toaster, as shown.

[21] Appl. No.: **33,230**

DESCRIPTION

[22] Filed: **Jan. 6, 1995**

[30] **Foreign Application Priority Data**

FIG. 1 is a front elevational view of a toaster showing my new design;

Jul. 6, 1994 [FR] France 94 4017

FIG. 2 is a rear elevational view thereof;

[52] **U.S. Cl.** **D7/330; D7/328**

FIG. 3 is a right side elevational view thereof;

[58] **Field of Search** **D7/323, 328-330, D7/390; 99/372, 385, 389**

FIG. 4 is a left side elevational view thereof;

FIG. 5 is a top plan view thereof;

FIG. 6 is a bottom plan view thereof; and,

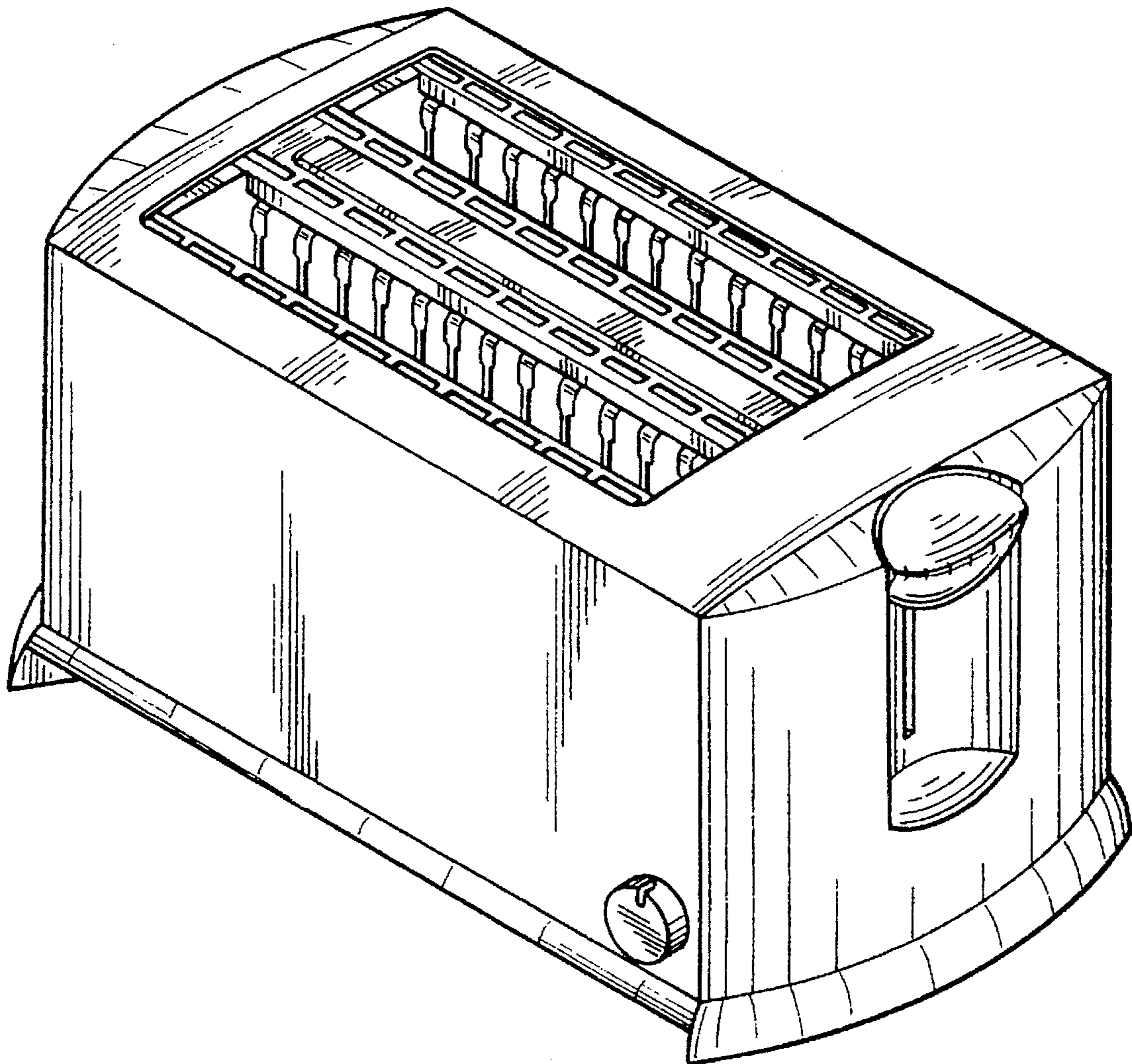
FIG. 7 is a perspective view thereof, viewed from above and to the right.

[56] **References Cited**

U.S. PATENT DOCUMENTS

D. 316,006 4/1991 Gebhardt D7/330

1 Claim, 4 Drawing Sheets



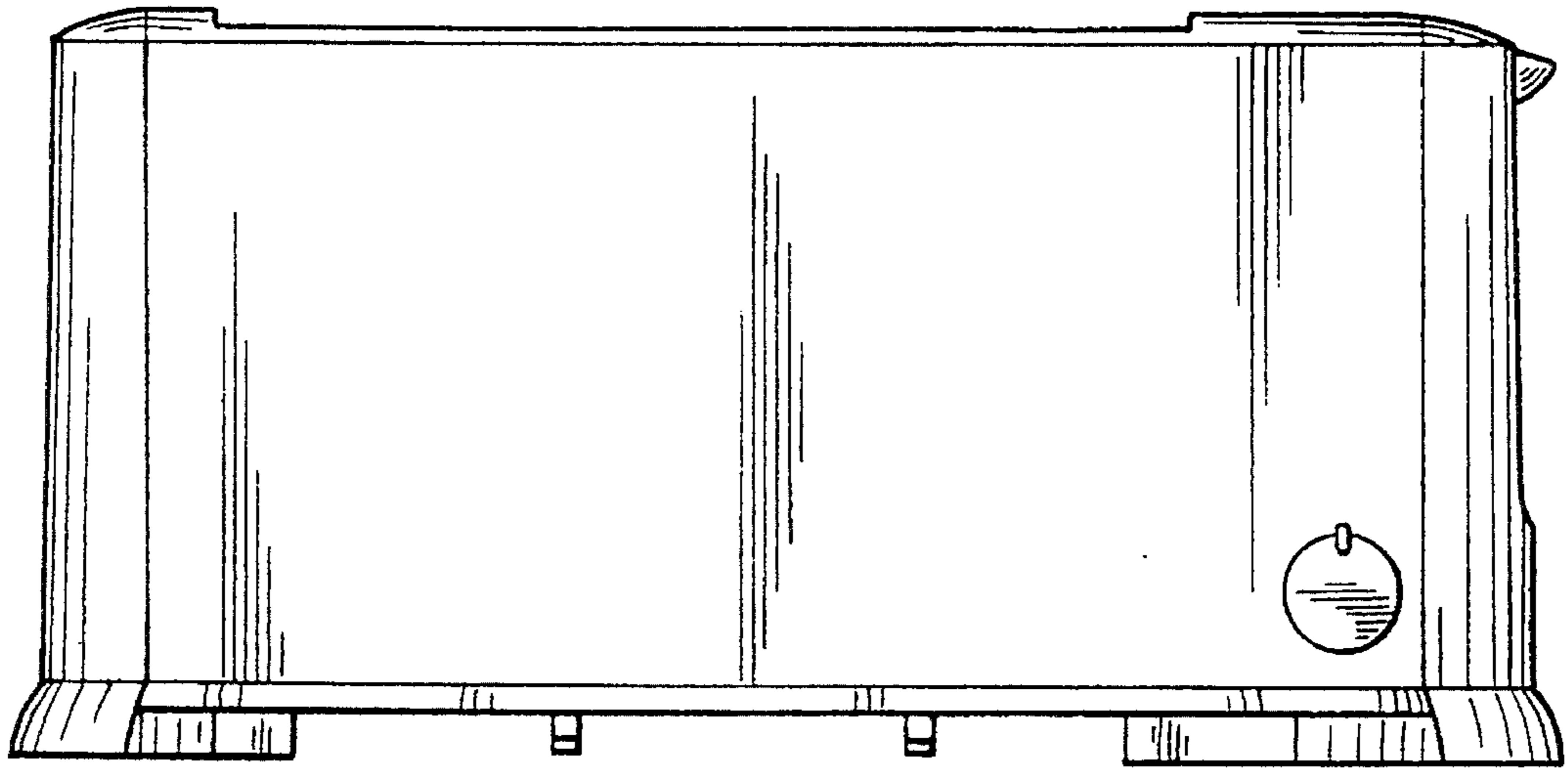


FIG. 1

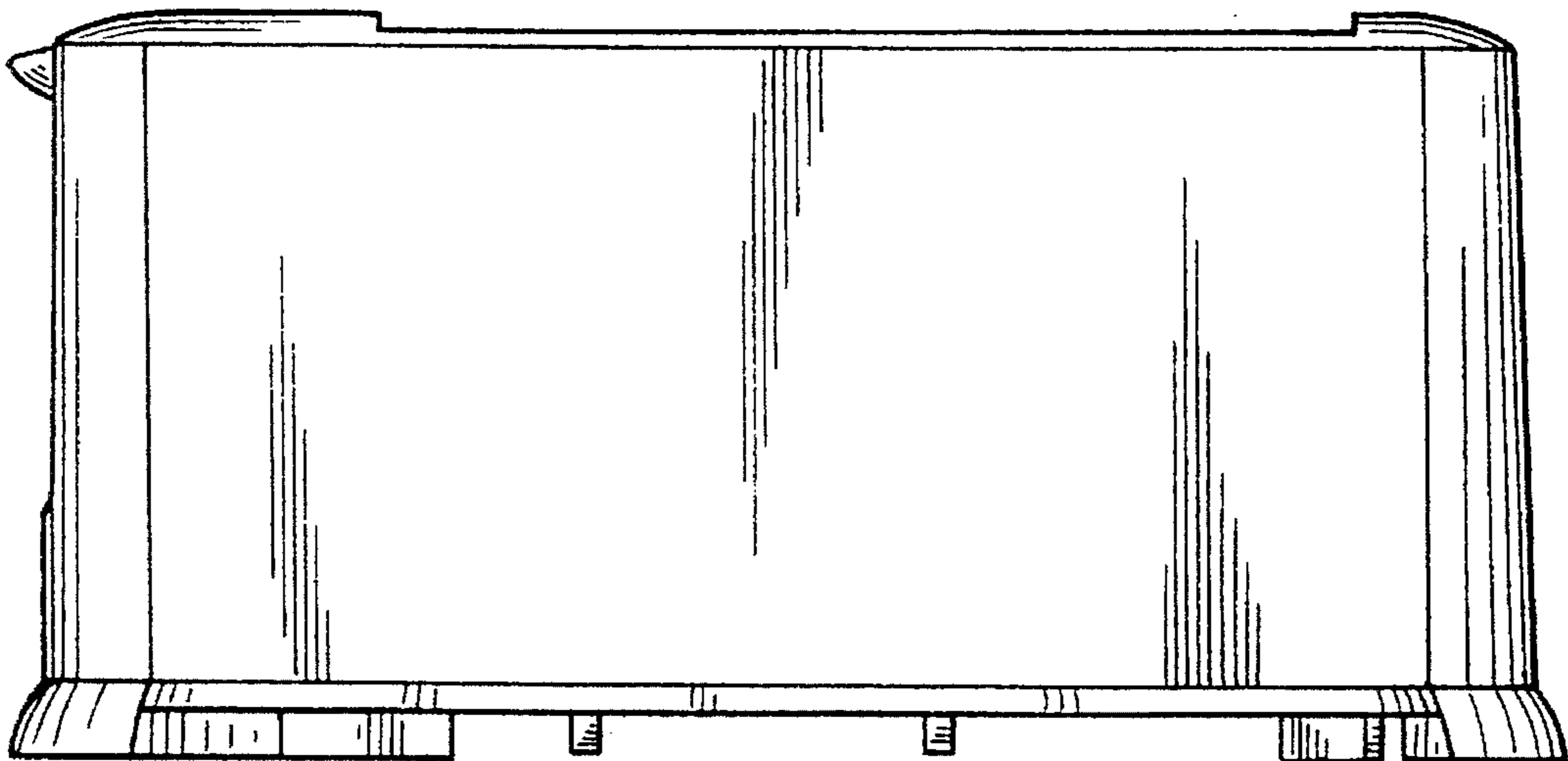


FIG. 2

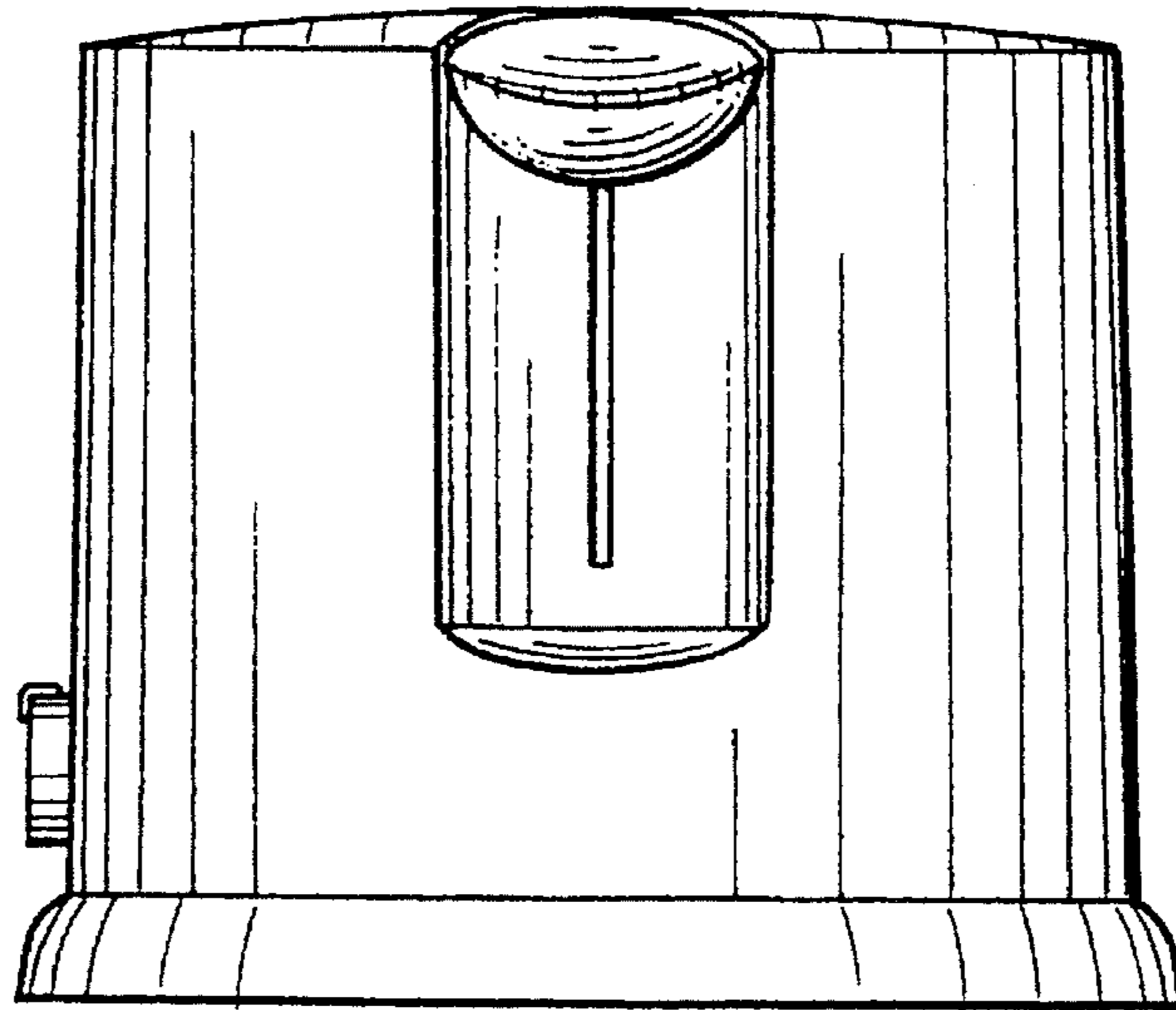


FIG. 3

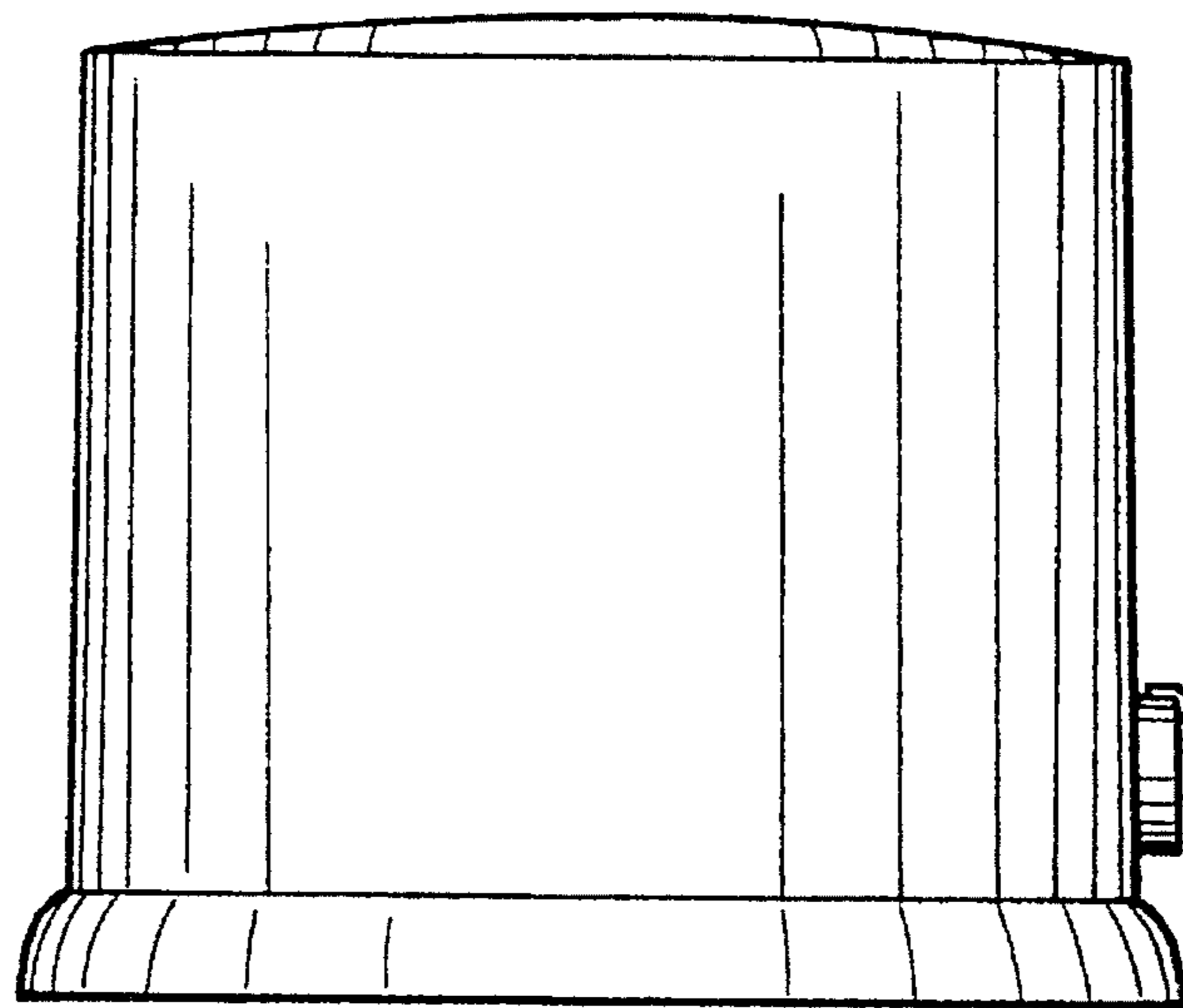


FIG. 4

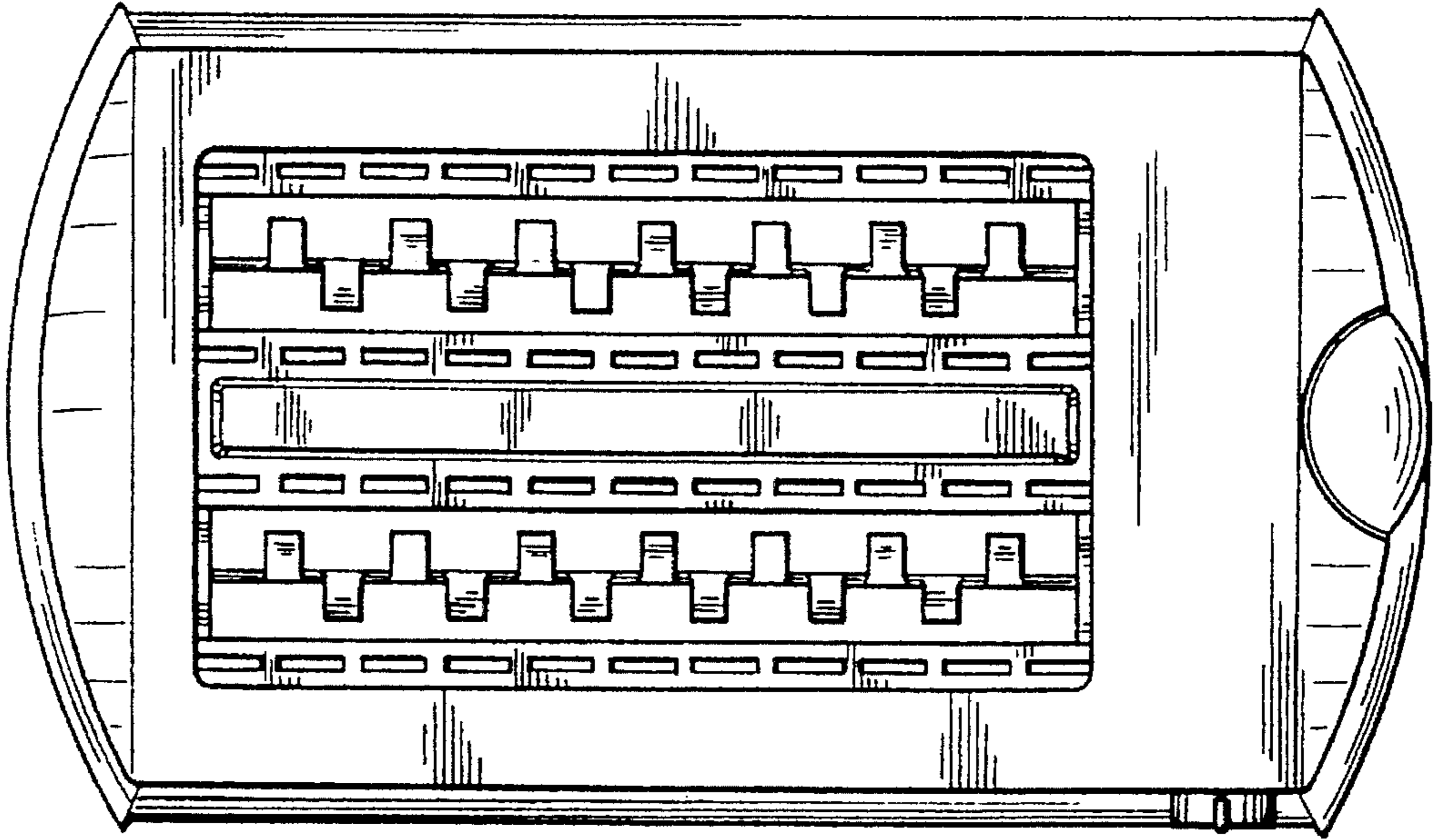


FIG. 5

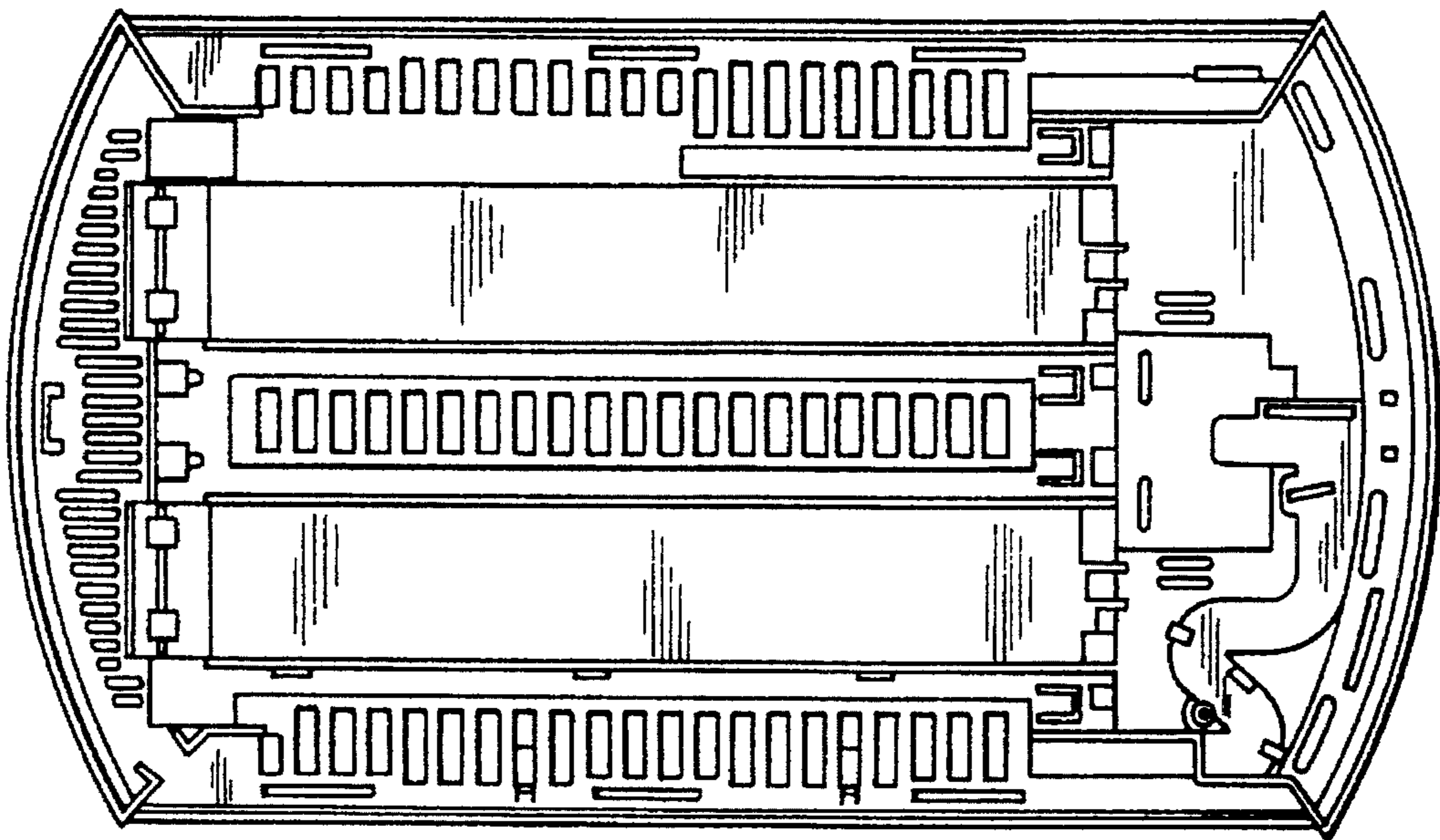


FIG. 6

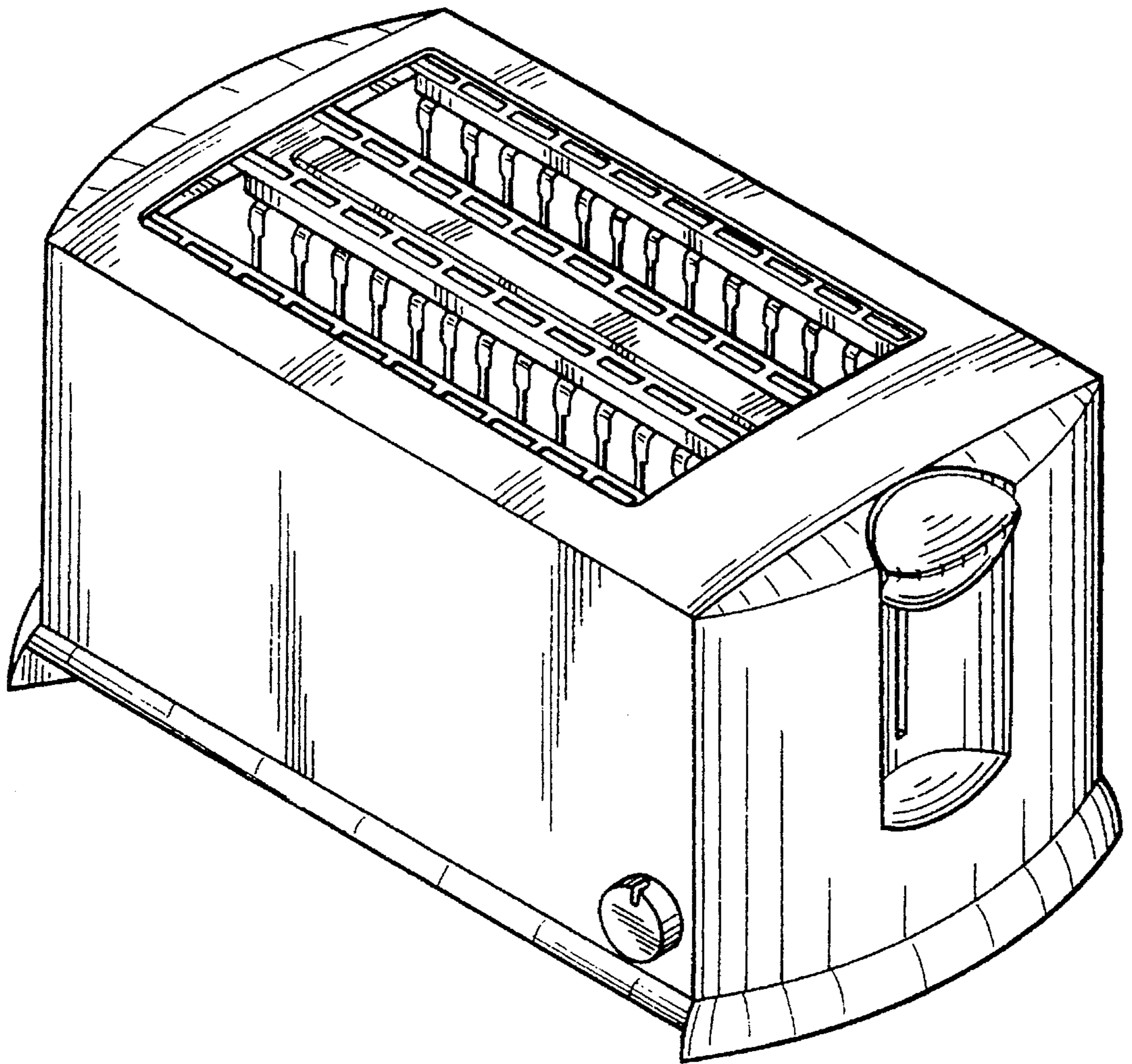


FIG. 7