



US00D367984S

**United States Patent** [19]  
**Barile**

[11] **Patent Number: Des. 367,984**  
[45] **Date of Patent: \*\*Mar. 19, 1996**

[54] **CHAIR BACK**

*Primary Examiner*—Martie Thompson  
*Attorney, Agent, or Firm*—Pitts & Brittan

[75] **Inventor: Peter Barile**, Morristown, Tenn.

[73] **Assignee: Shelby Williams Industries, Inc.**,  
Morristown, Tenn.

[57] **CLAIM**

[\*\*] **Term: 14 Years**

The ornamental design for a chair back, as shown and described.

[21] **Appl. No.: 30,787**

**DESCRIPTION**

[22] **Filed: Nov. 8, 1994**

[52] **U.S. Cl. .... D6/502**

[58] **Field of Search** ..... D6/334, 369, 363,  
D6/370, 374, 375, 376, 379, 380, 500,  
501, 502; 297/411.42, 217, 457, 460, 444,  
452

FIG. 1 is a perspective view of a chair back showing my new design;

FIG. 2 is a plan view of thereof;

FIG. 3 is a rear elevation view thereof;

FIG. 4 is a bottom view thereof;

FIG. 5 is a front view thereof; and,

FIG. 6 is a left side elevation view thereof, the right side elevation being a mirror image thereof.

[56] **References Cited**

**U.S. PATENT DOCUMENTS**

D. 295,239 4/1988 Massonnet ..... D6/375  
D. 359,174 6/1995 Arthur, Jr. .... D6/379 X

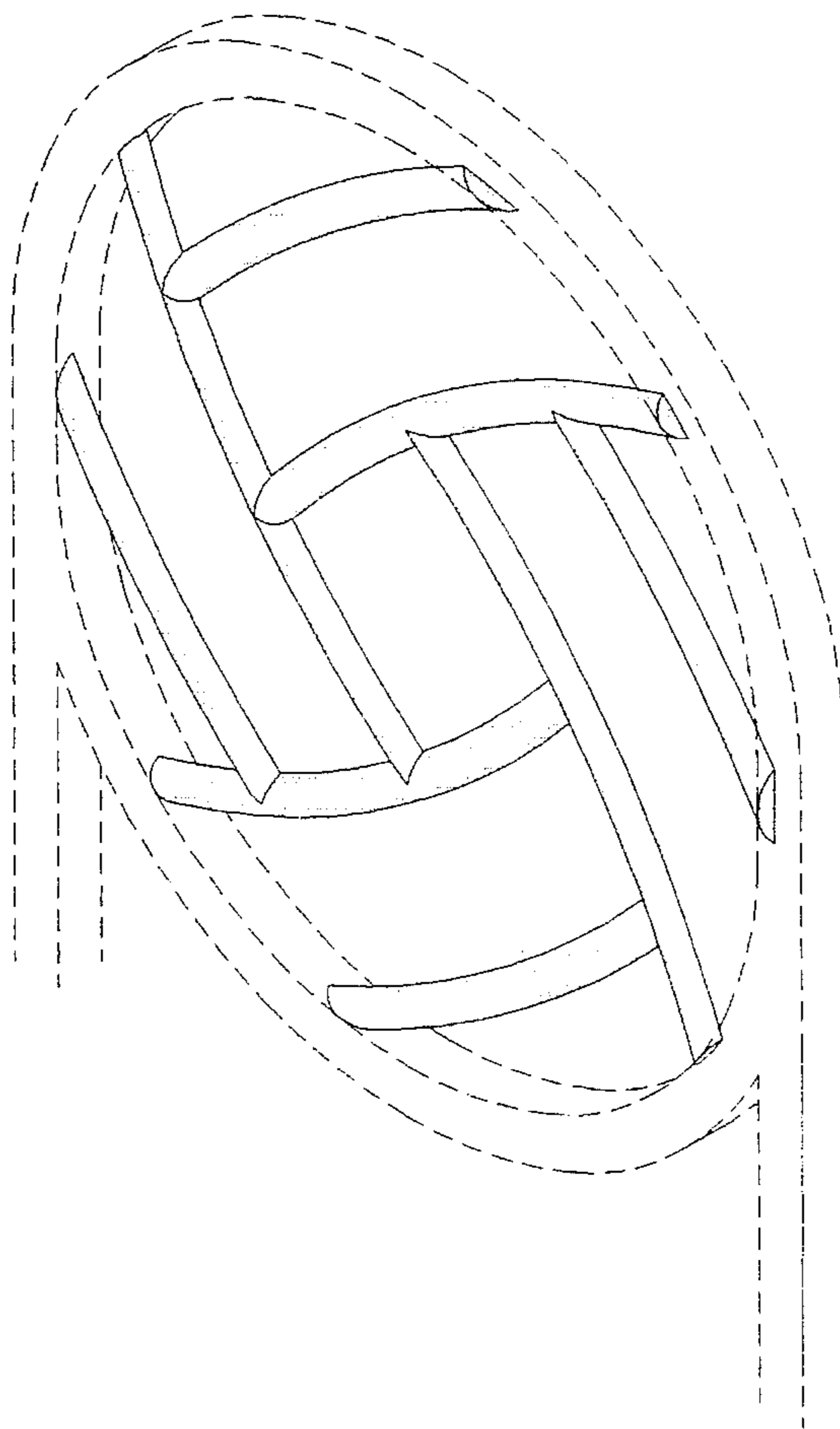
The broken lines in the Figures are for illustrative purposes only and form no part of the claimed design.

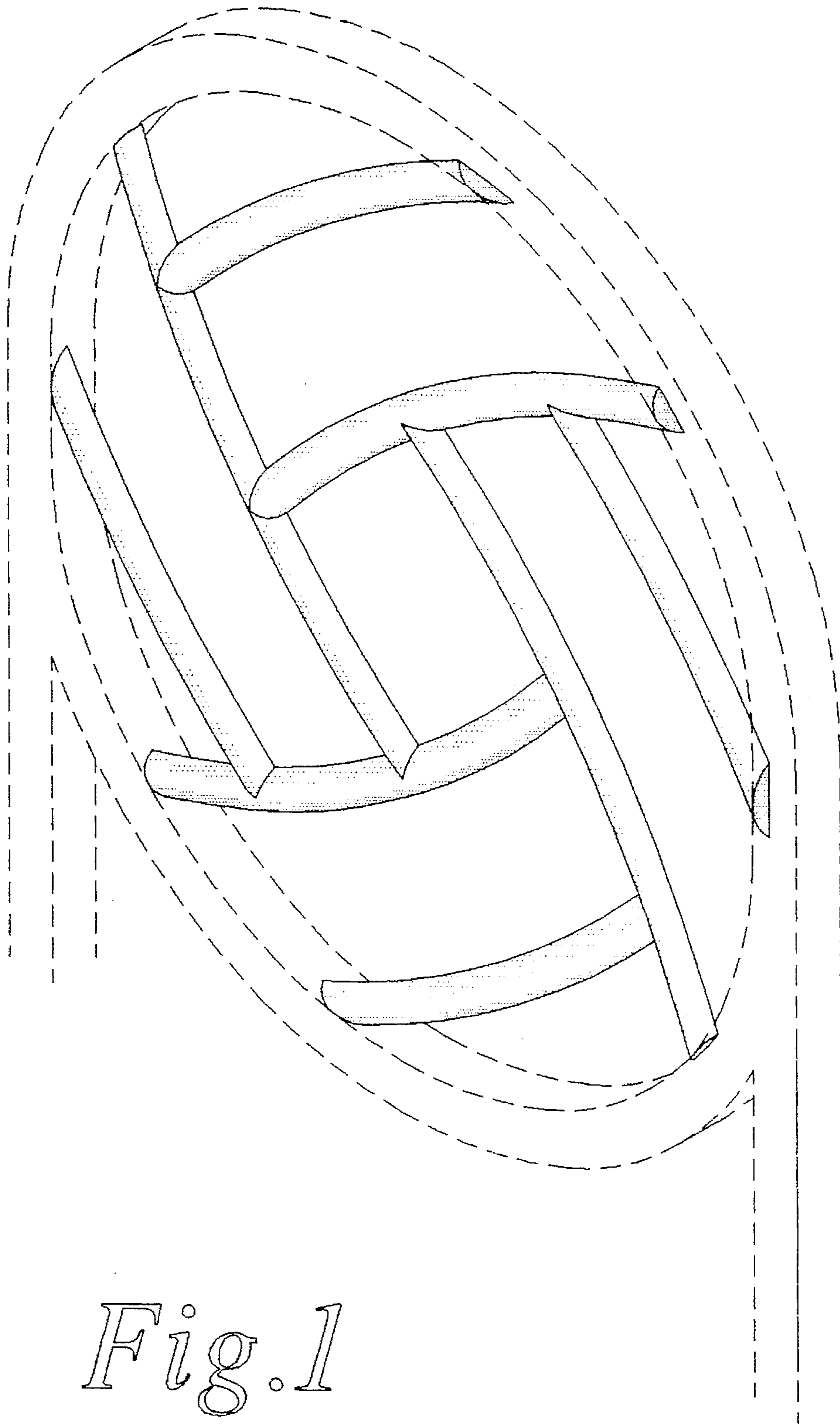
**OTHER PUBLICATIONS**

Willow & Reed, 1970, p. 65, see circled chair, right side of page.

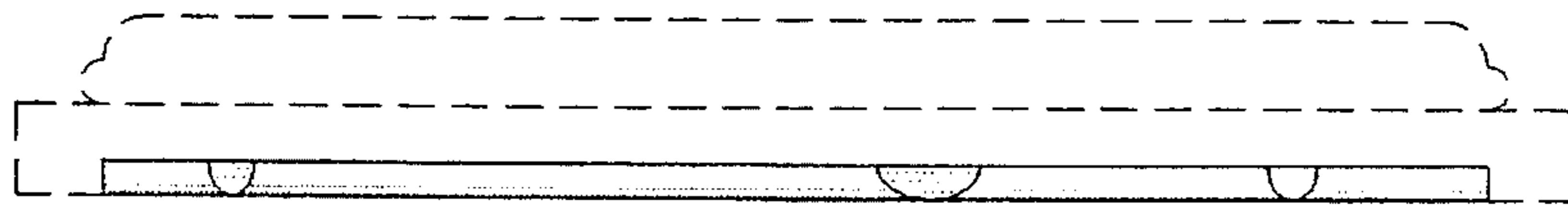
House & Garden, Oct. 1983, p. 7, see circled chair—left side of page.

**1 Claim, 3 Drawing Sheets**



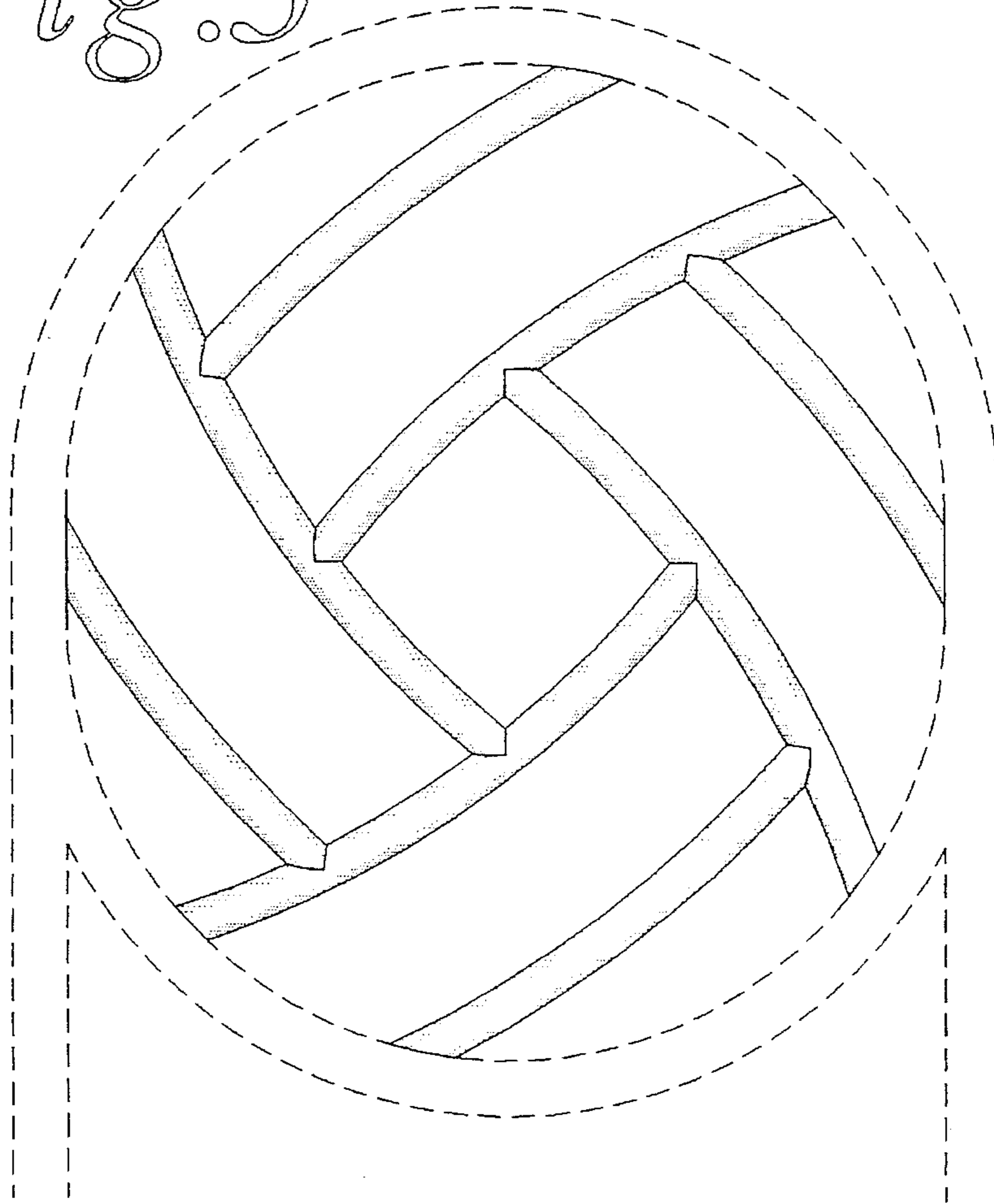


*Fig. 1*

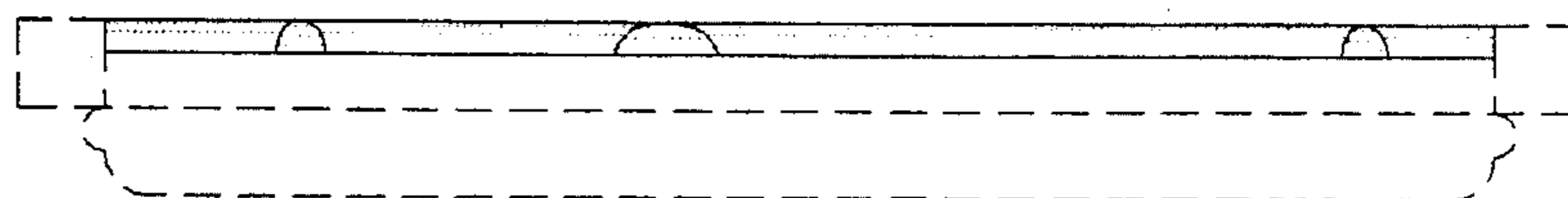


*Fig. 2*

*Fig. 3*



*Fig. 4*



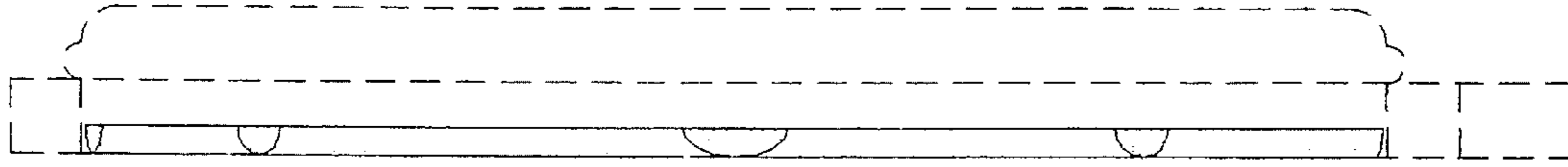


Fig. 6

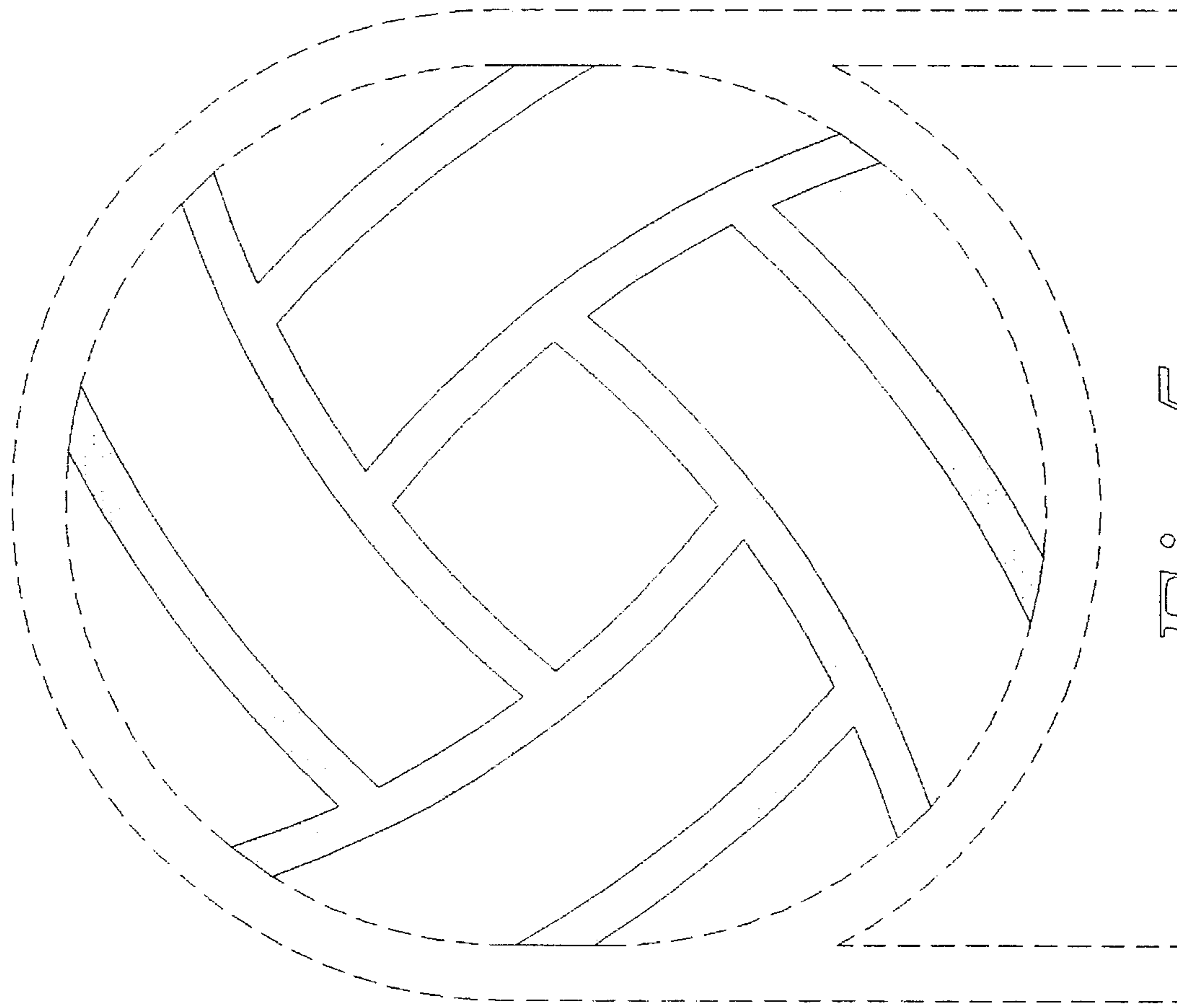


Fig. 5