



US00D367981S

United States Patent [19]
Olson

[11] **Patent Number: Des. 367,981**
[45] **Date of Patent: **Mar. 19, 1996**

[54] **CHAIR BOTTOM COVER**

4,509,796 4/1985 Takagi 297/452.55

[75] Inventor: **Ogden R. Olson**, Muscatine, Iowa

Primary Examiner—Janice E. Seeger
Attorney, Agent, or Firm—Jones, Day, Reavis & Pogue

[73] Assignee: **Hon Industries Inc.**, Muscatine, Iowa

[57] **CLAIM**

[**] Term: **14 Years**

The ornamental design for a chair bottom cover, as shown.

[21] Appl. No.: **24,264**

DESCRIPTION

[22] Filed: **Jun. 10, 1994**

[52] **U.S. Cl.** **D6/500; D6/502**

[58] **Field of Search** **D6/500-502, 491;**
297/452.1, 461, 462, 452.55; 248/188, 188.1

FIG. 1 is a top perspective view of a chair bottom cover showing my new design;

FIG. 2 is a bottom plan view thereof;

FIG. 3 is a rear elevational view thereof;

FIG. 4 is a top plan view thereof;

FIG. 5 is a front elevational view thereof;

FIG. 6 is a right side elevational view thereof; and,

FIG. 7 is a left side elevational view thereof.

[56] **References Cited**

U.S. PATENT DOCUMENTS

D. 137,204 2/1994 Nordby D6/500
3,443,530 5/1969 Carlson 248/188

1 Claim, 4 Drawing Sheets

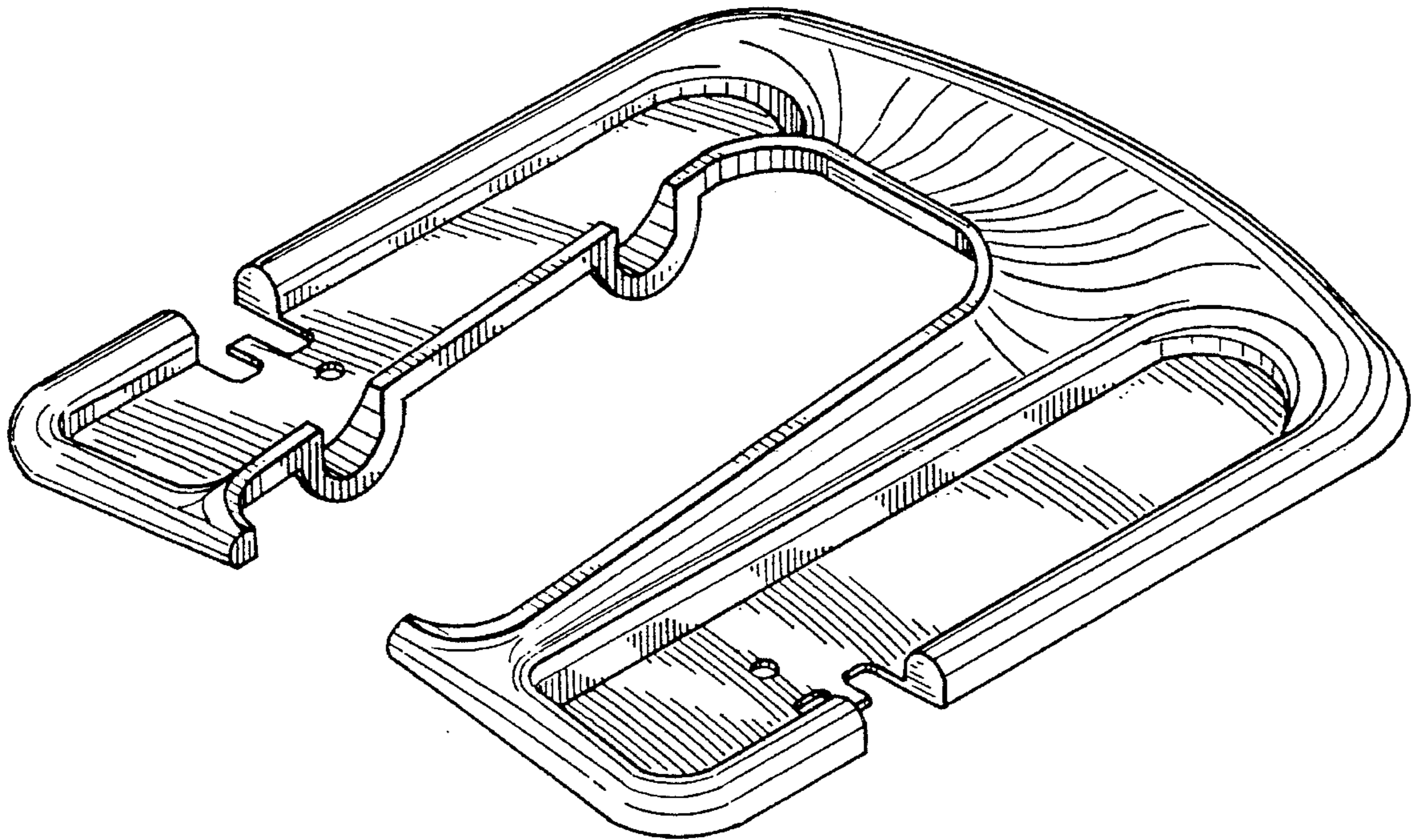


Fig. 1

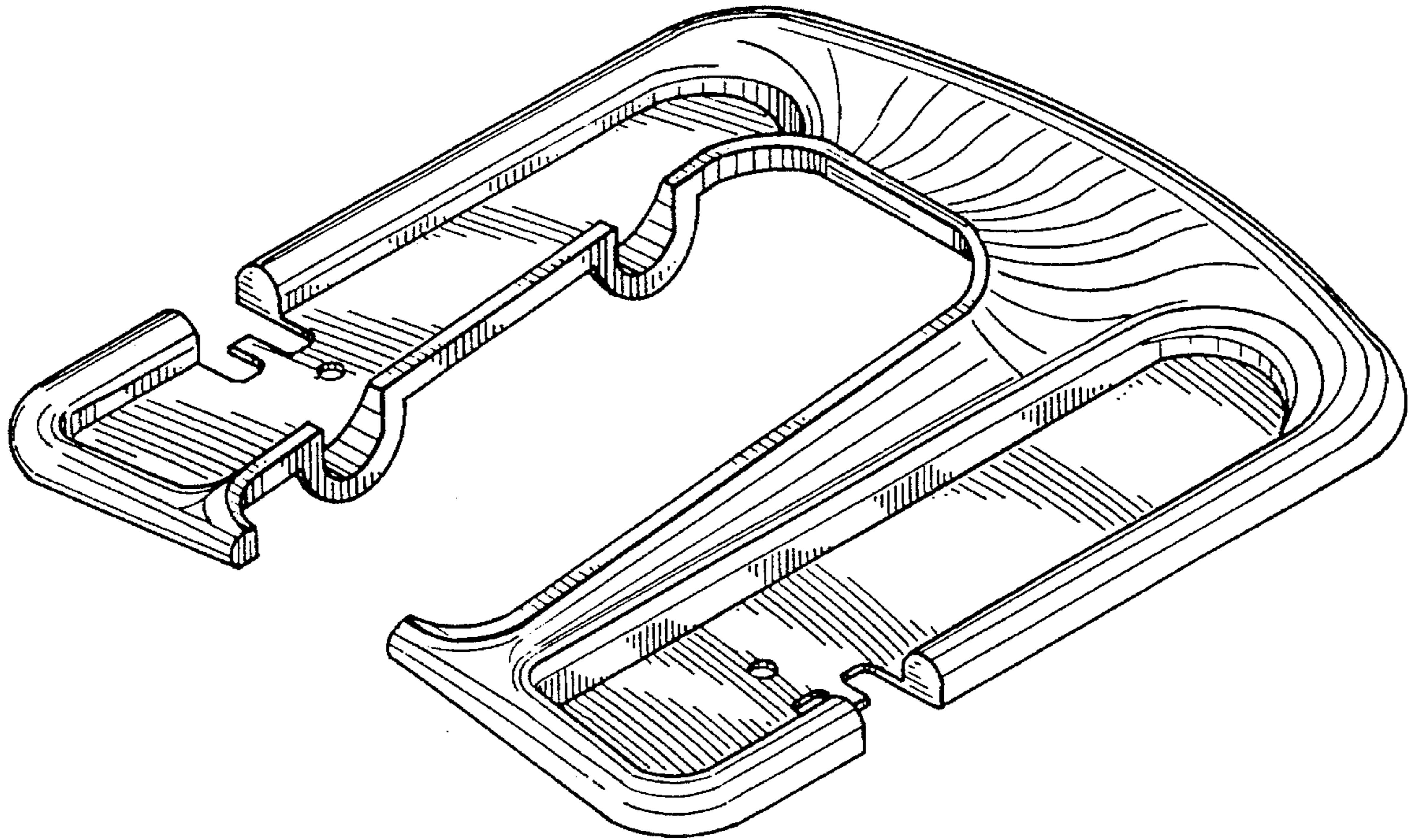


Fig. 3

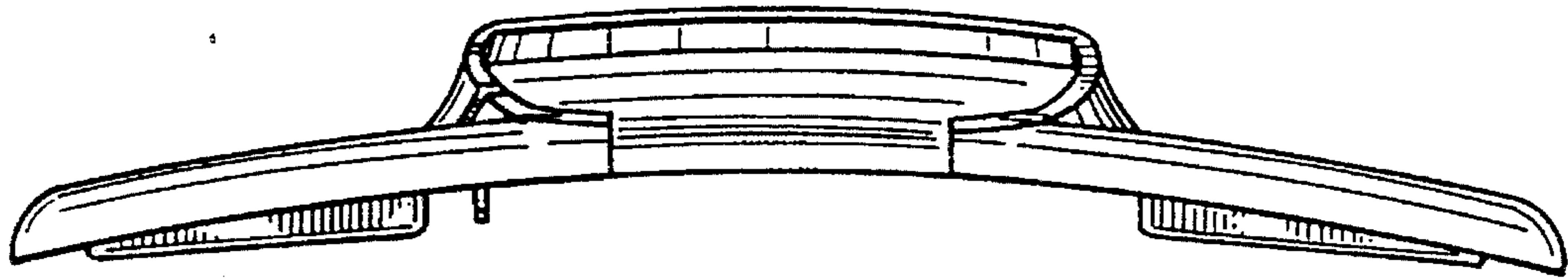


Fig. 2

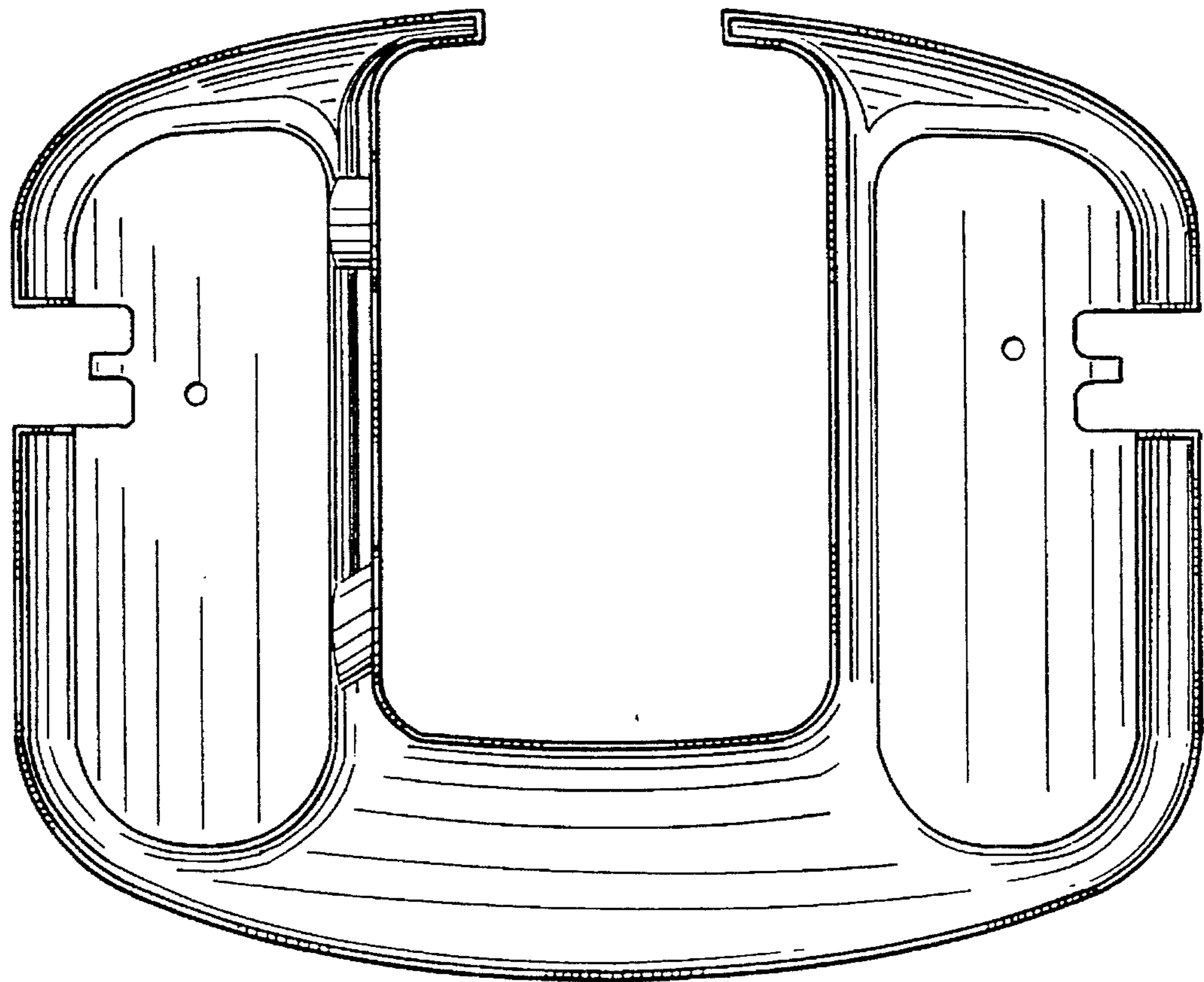


Fig. 4

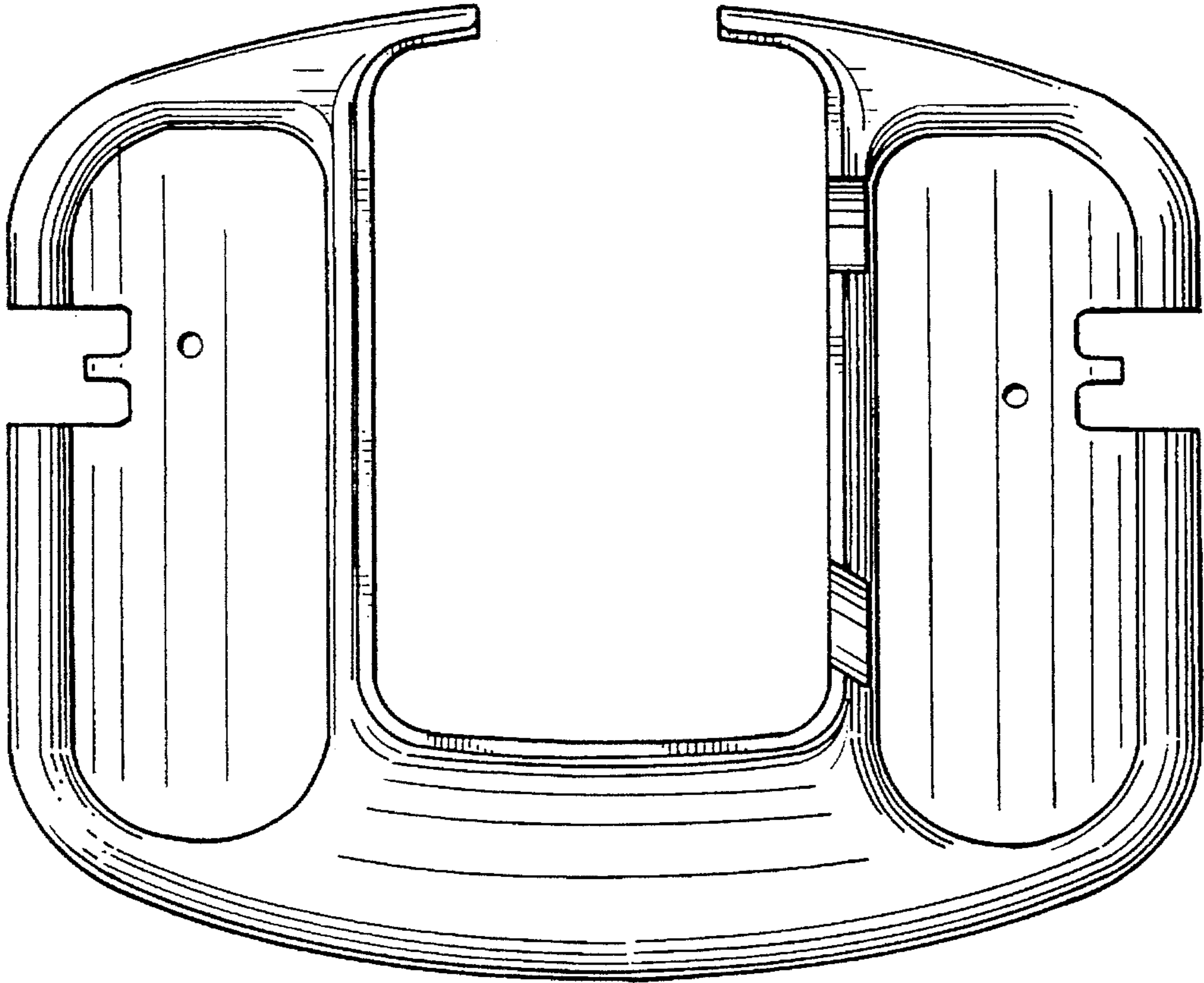


Fig. 5

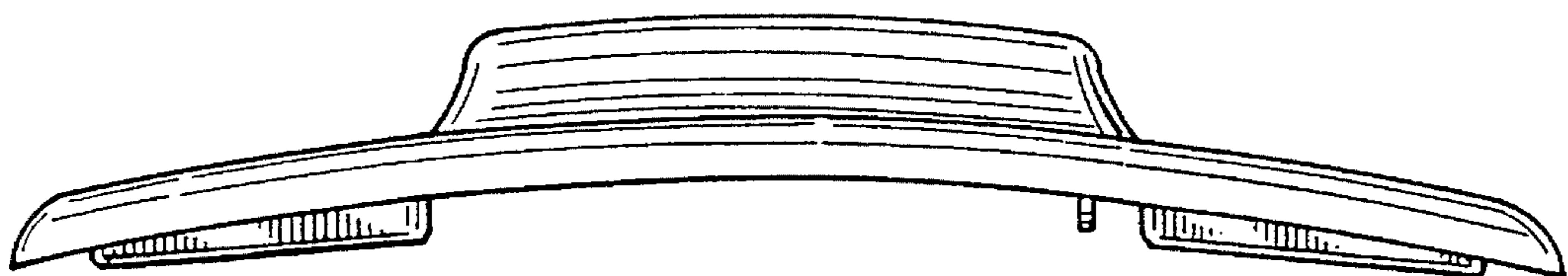


Fig. 6

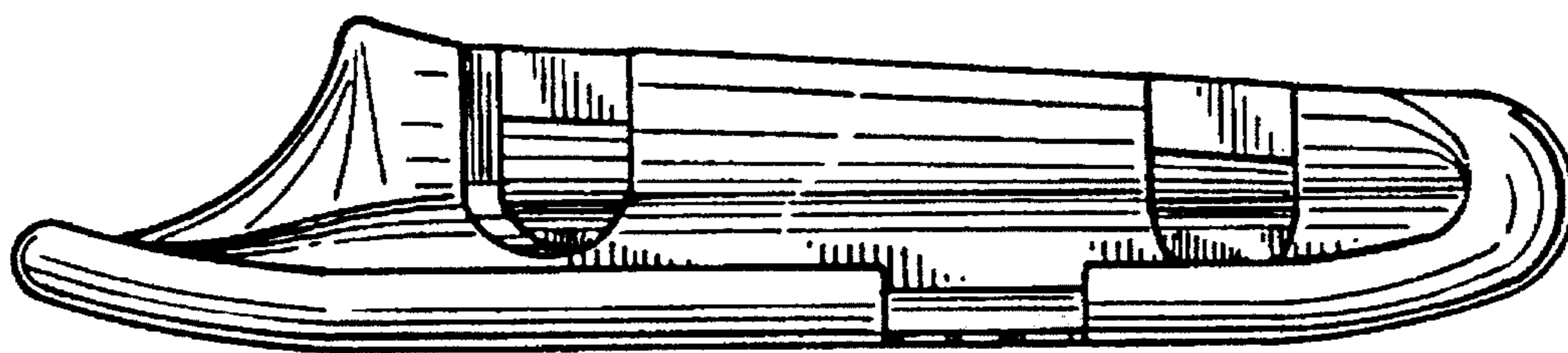


Fig. 7

