



US00D367976S

# United States Patent [19]

VanSkiver et al.

[11] Patent Number: **Des. 367,976**

[45] Date of Patent: **\*\*Mar. 19, 1996**

[54] TABLE

[75] Inventors: **Ralph VanSkiver; Shannon R. Bynum**, both of Arlington, Tex.

[73] Assignee: **Doskocil Mfg. Co., Inc.**, Arlington, Tex.

[\*\*] Term: **14 Years**

[21] Appl. No.: **27,016**

[22] Filed: **Aug. 11, 1994**

[52] U.S. Cl. .... **D6/484; D6/349**

[58] Field of Search ..... **D6/480-489, 495, D6/511, 349; 108/153, 156, 161; 248/188, 188.1**

[56] **References Cited**

**U.S. PATENT DOCUMENTS**

- D. 317,839 7/1991 Pino ..... D6/484
- D. 332,539 1/1993 Loznikov ..... D6/486 X
- D. 335,788 5/1993 Grosfillex ..... D6/484

- D. 335,979 6/1993 Horwitz ..... D6/484
- D. 335,980 6/1993 Grosfillex ..... D6/484
- D. 341,279 11/1993 Goetz ..... D6/484
- D. 355,315 2/1995 Walters ..... D6/484
- D. 357,361 4/1995 Karten et al. .... D6/484 X

*Primary Examiner*—Janice E. Seeger  
*Attorney, Agent, or Firm*—Andrew J. Dillon

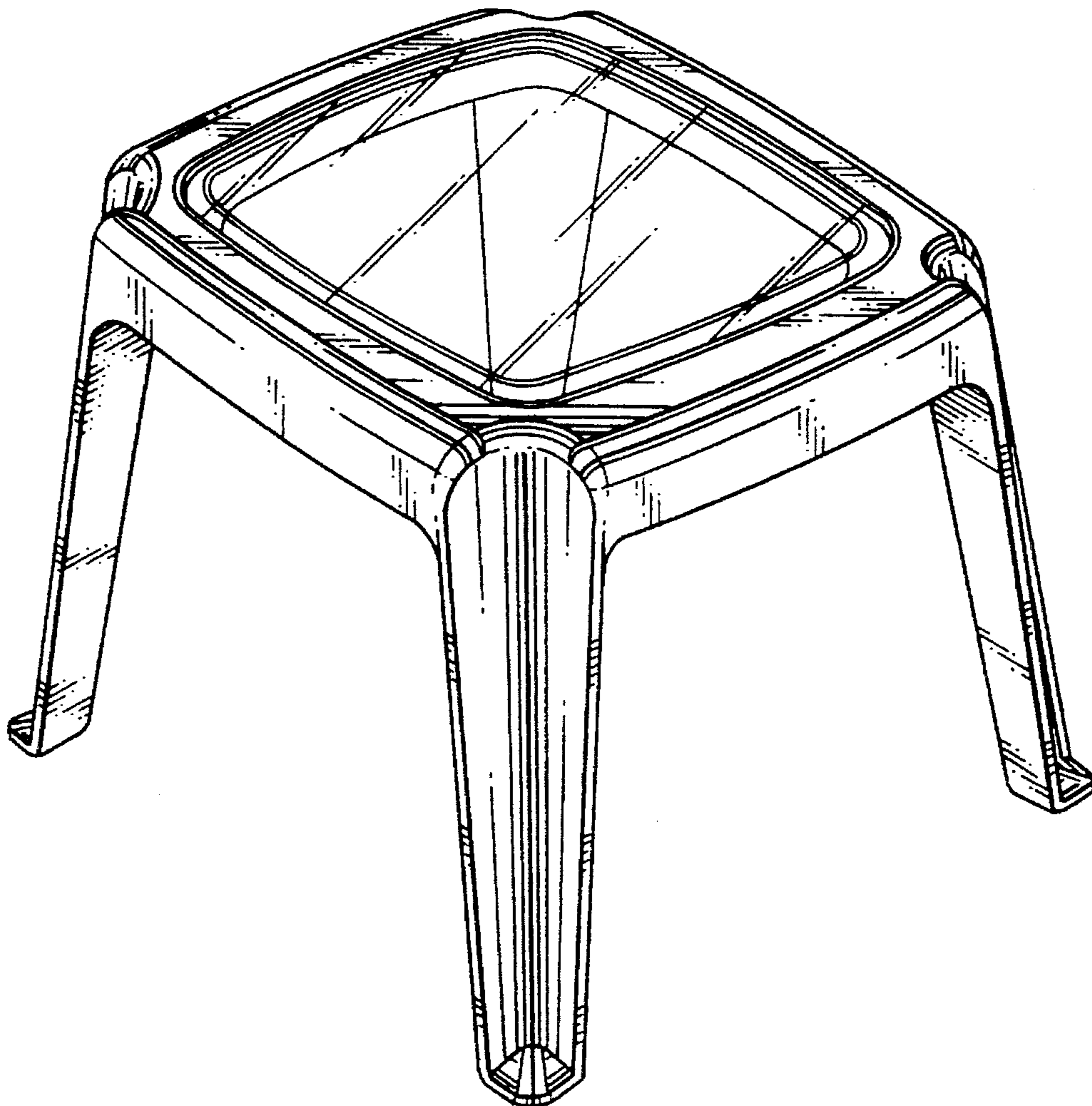
[57] **CLAIM**

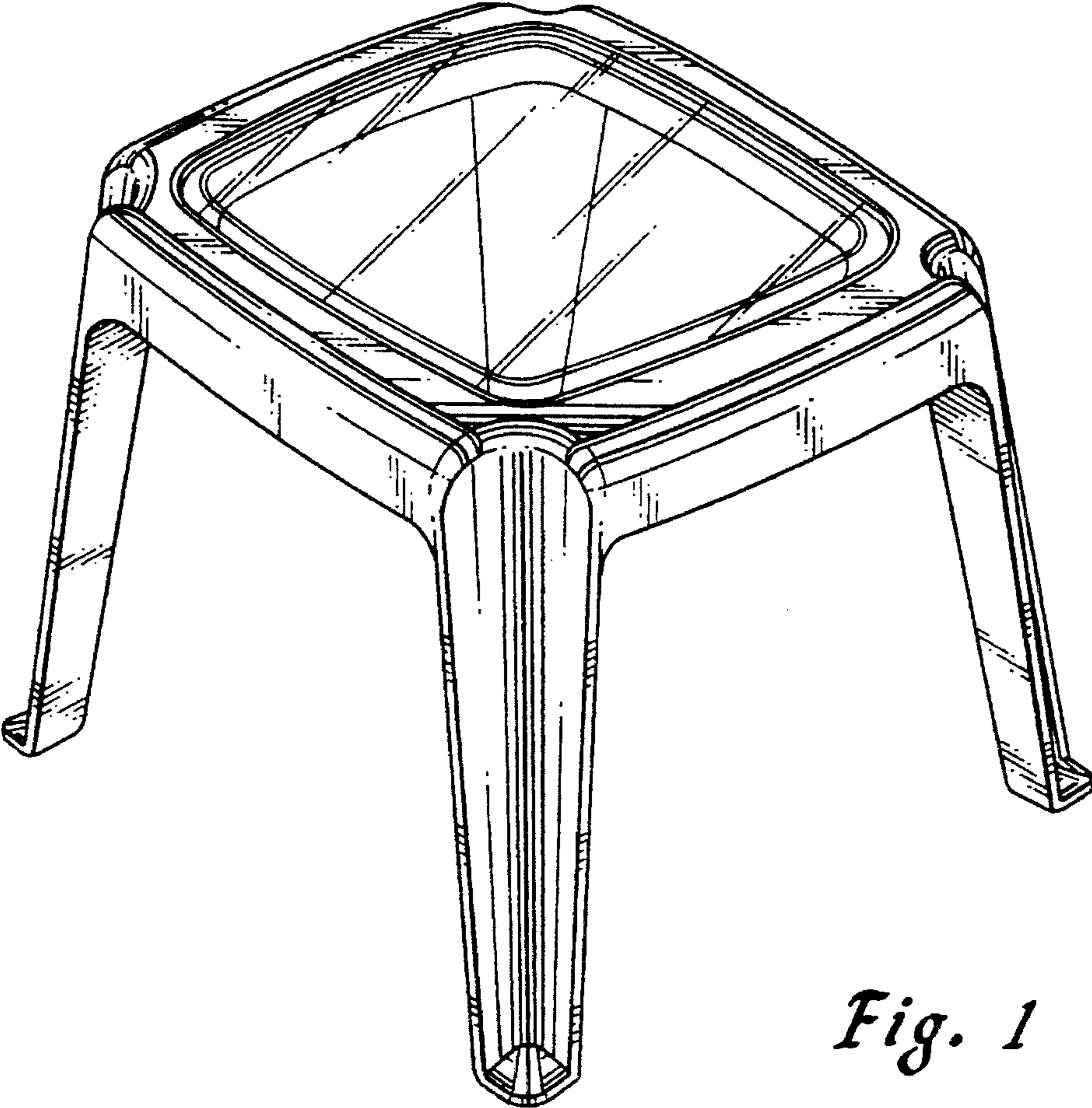
The ornamental design for a table, as shown and described.

**DESCRIPTION**

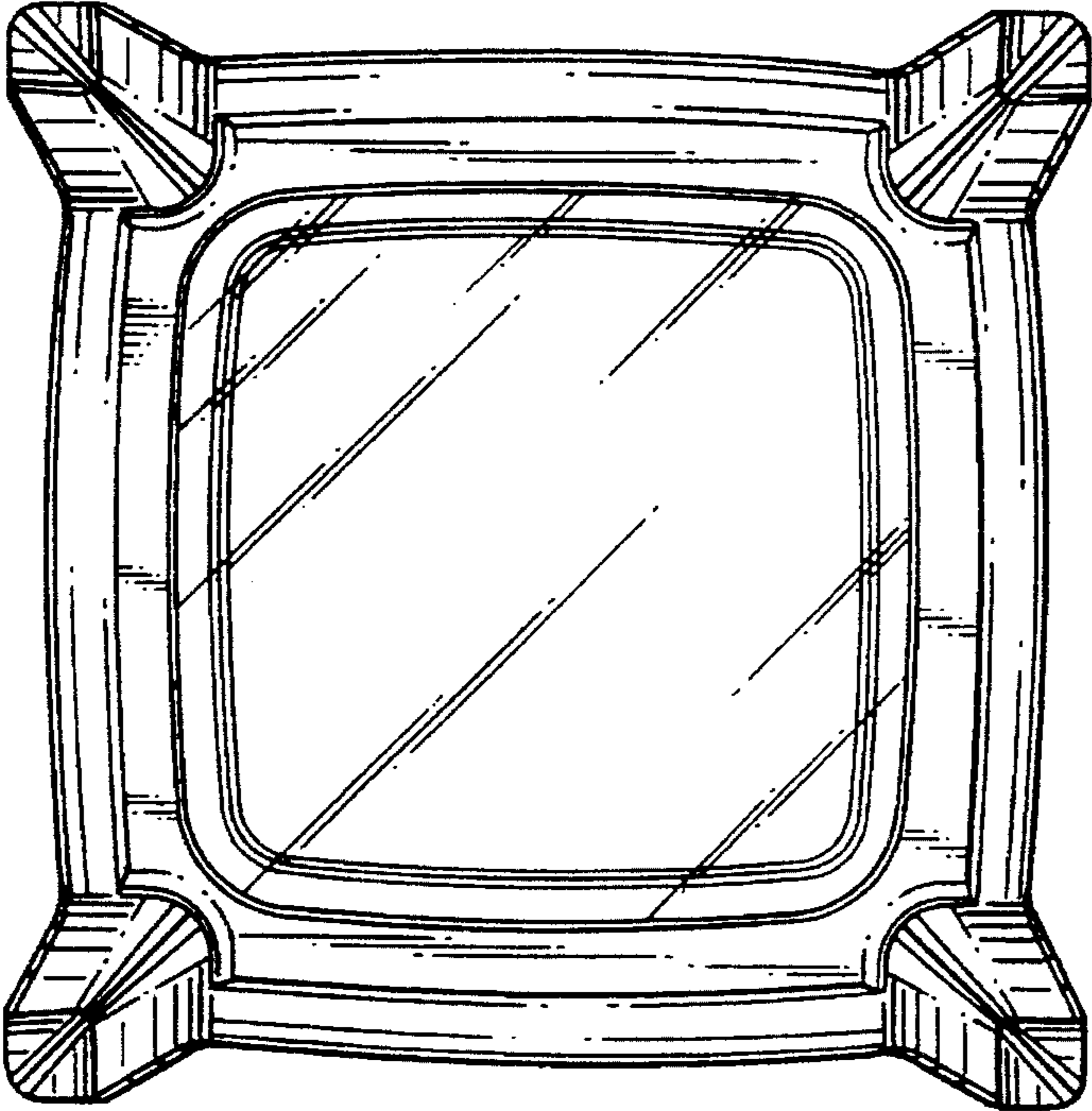
FIG. 1 is a perspective view of the table of the present invention;  
FIG. 2 is a top view of the table of the present invention;  
FIG. 3 is a side view of the table, each side being identical, of the present invention;  
FIG. 4 is a bottom view of the table of the present invention; and,  
FIG. 5 is a sectional side view of the table of the present invention taken along line 5—5 of FIG. 3.

**1 Claim, 3 Drawing Sheets**

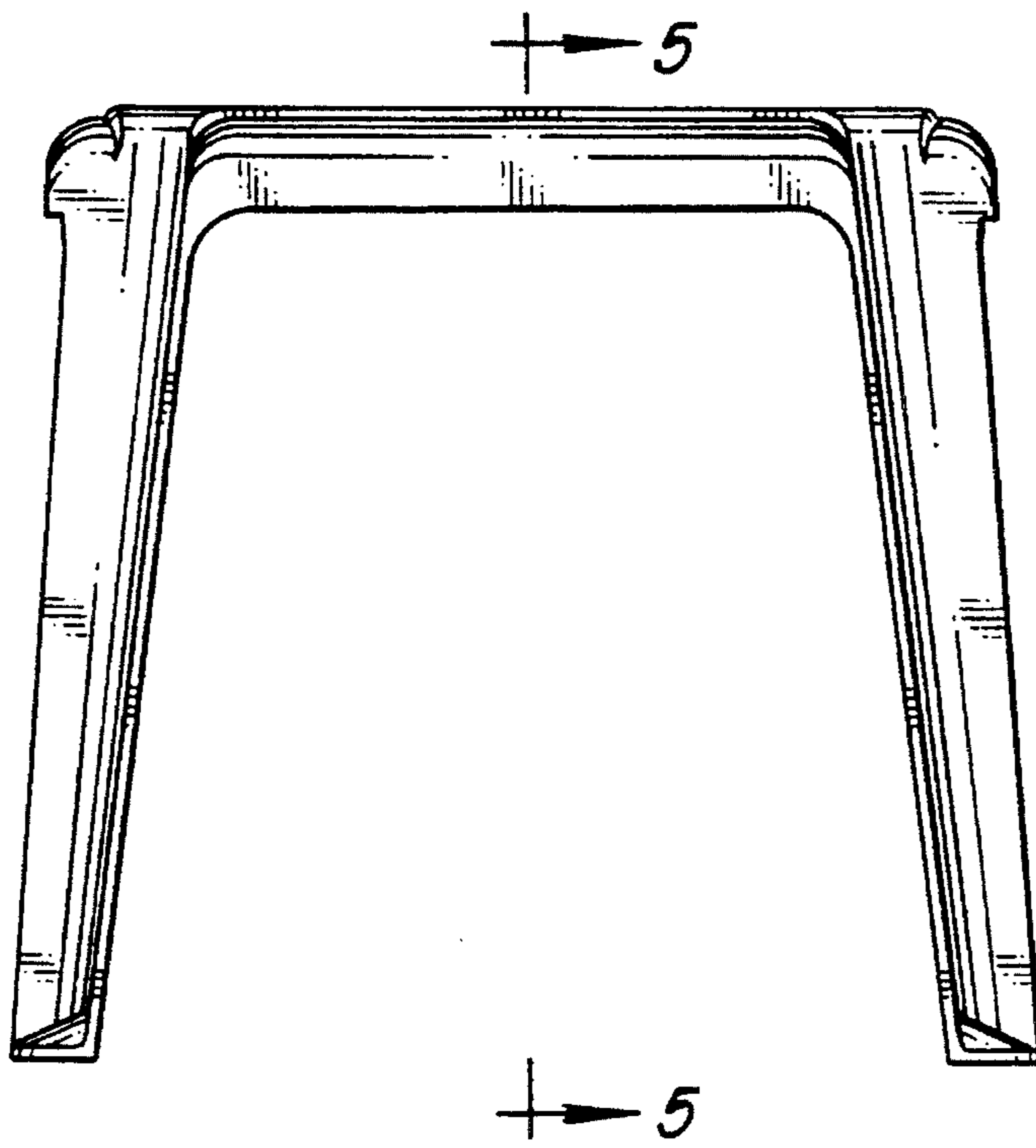




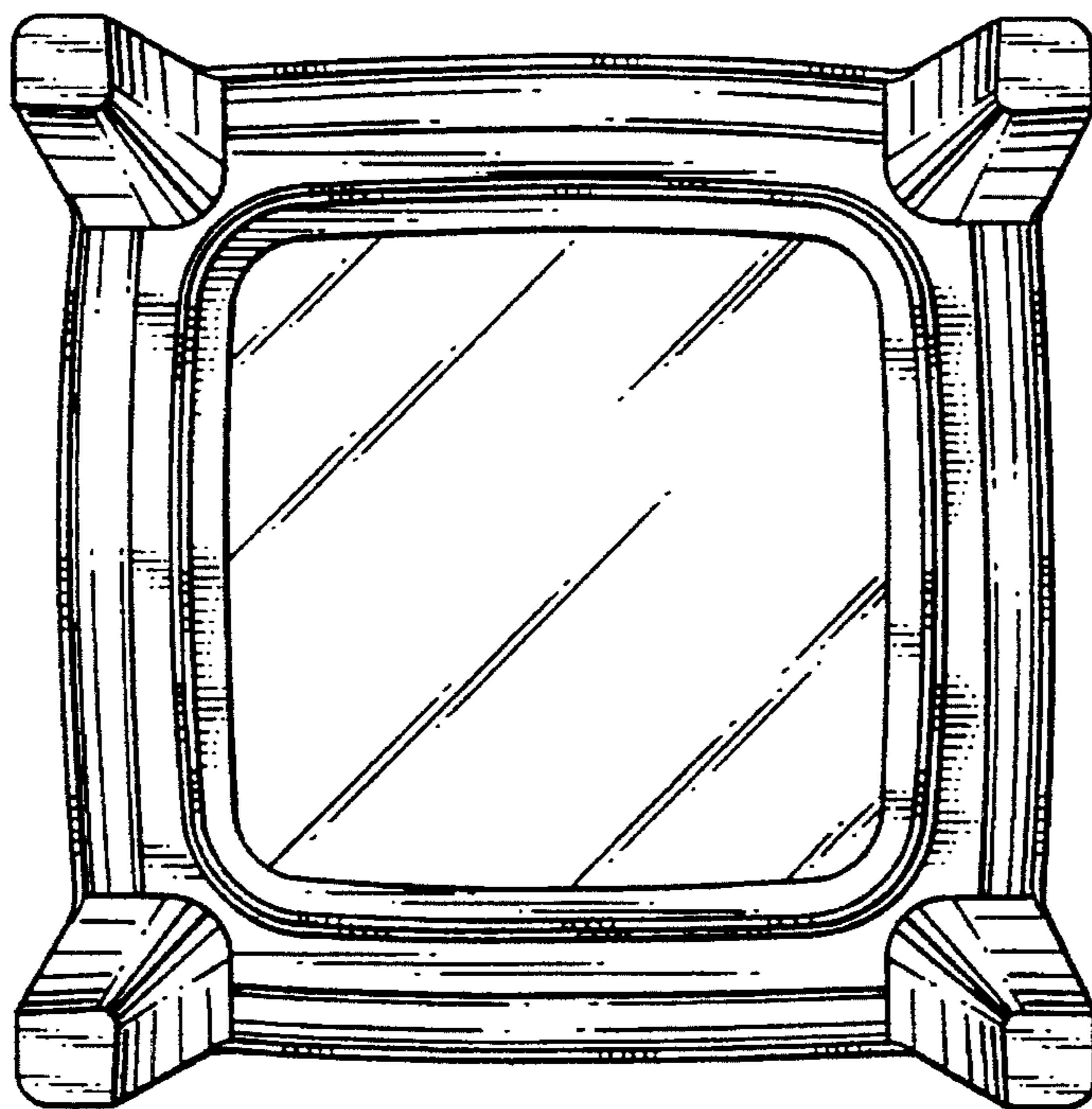
*Fig. 1*



*Fig. 2*

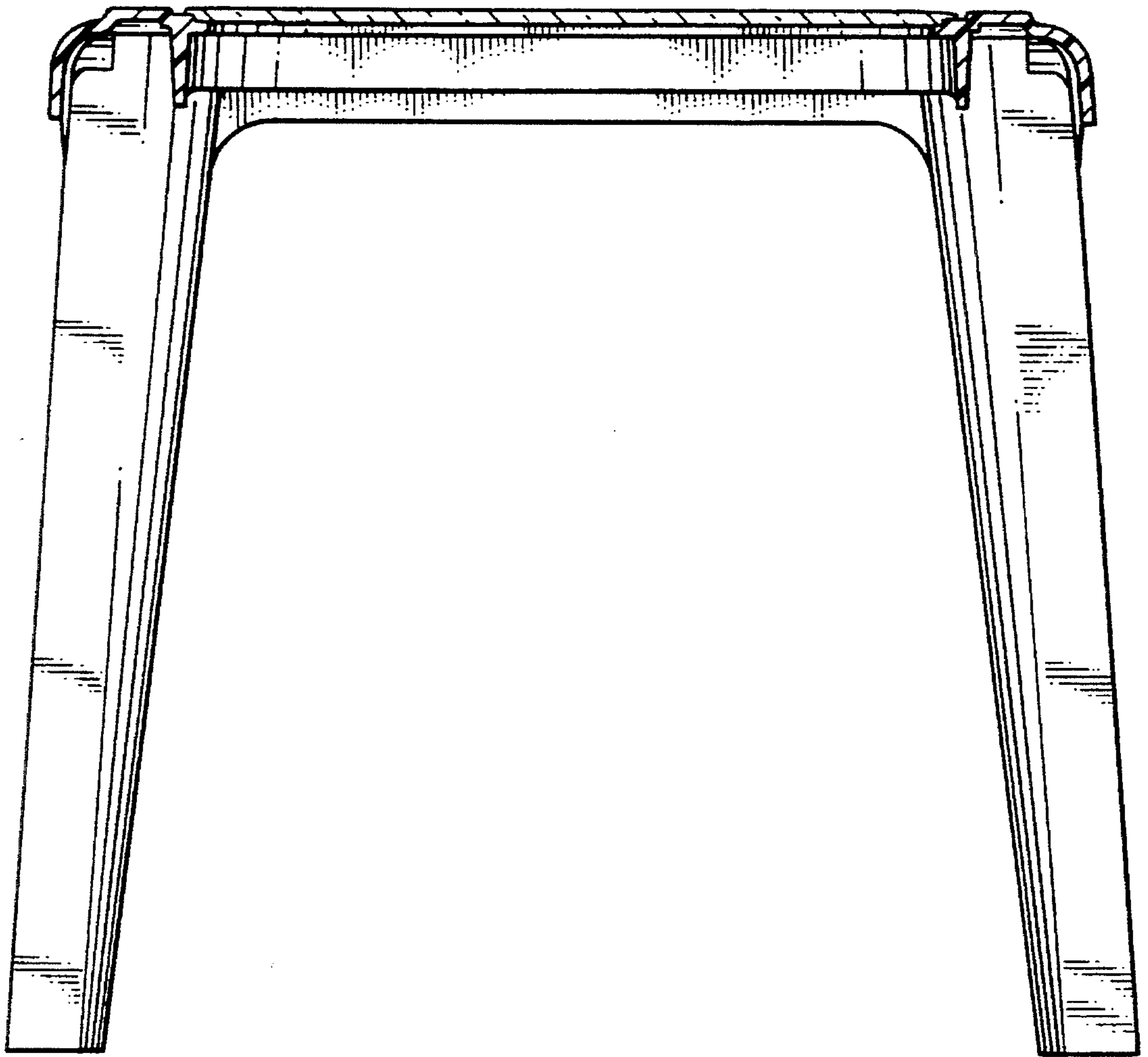


*Fig. 3*



*Fig. 4*





*Fig. 5*