



US00D367971S

United States Patent [19]

Lynn

[11] Patent Number: **Des. 367,971**

[45] Date of Patent: ****Mar. 19, 1996**

[54] **MUSIC STAND**

[76] Inventor: **Harold R. Lynn**, 685 Coy La., Chagrin Falls, Ohio 44022

[**] Term: **14 Years**

[21] Appl. No.: **27,134**

[22] Filed: **Aug. 12, 1994**

[52] U.S. Cl. **D6/419**

[58] Field of Search D6/419, 420, 310-314; 248/447, 454-457, 441.1, 448, 451

D. 245,820	9/1977	Matthews	D6/419
D. 250,920	1/1979	Waters	D6/419
D. 356,219	3/1995	Jones	D6/419

Primary Examiner—Carmen H. Vales-Lado
Attorney, Agent, or Firm—Collard & Roe

[57] CLAIM

The ornamental design for a music stand, as shown and described.

DESCRIPTION

FIG. 1 is a perspective view of a music stand, showing my new design;

FIG. 2 is a front elevational view thereof;

FIG. 3 is a rear elevational view thereof;

FIG. 4 is a right side elevational view thereof;

FIG. 5 is a left side elevational view thereof;

FIG. 6 is top plan view thereof; and,

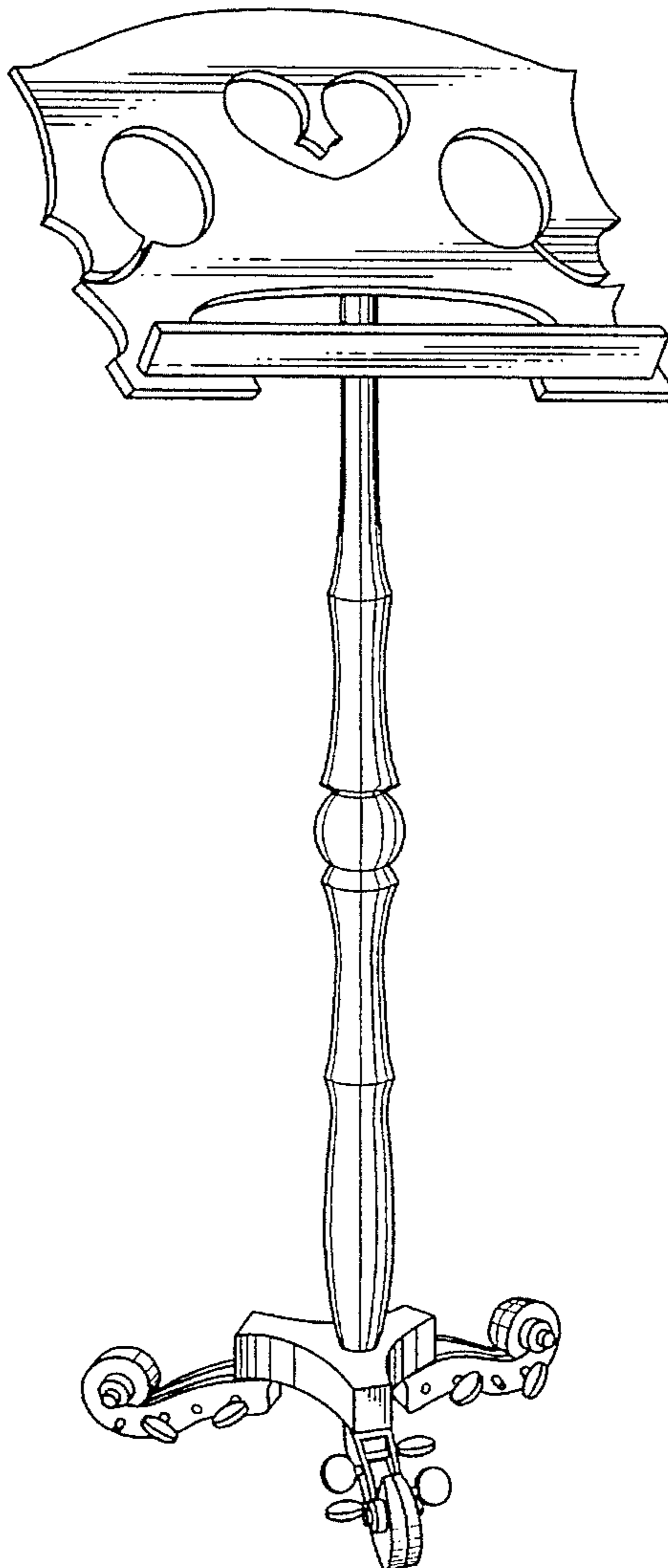
FIG. 7 is a bottom plan view thereof.

[56] References Cited

U.S. PATENT DOCUMENTS

D. 31,524	9/1899	Frost et al.	D6/419
D. 102,790	1/1937	Katz	D6/419
D. 139,445	11/1944	Barger	D6/419
D. 186,895	12/1959	Wenger	D6/419
D. 201,026	5/1965	Wiese	D6/419
D. 235,706	7/1975	Pennington	D6/419
D. 239,899	5/1976	Malcolm	D6/419

1 Claim, 4 Drawing Sheets



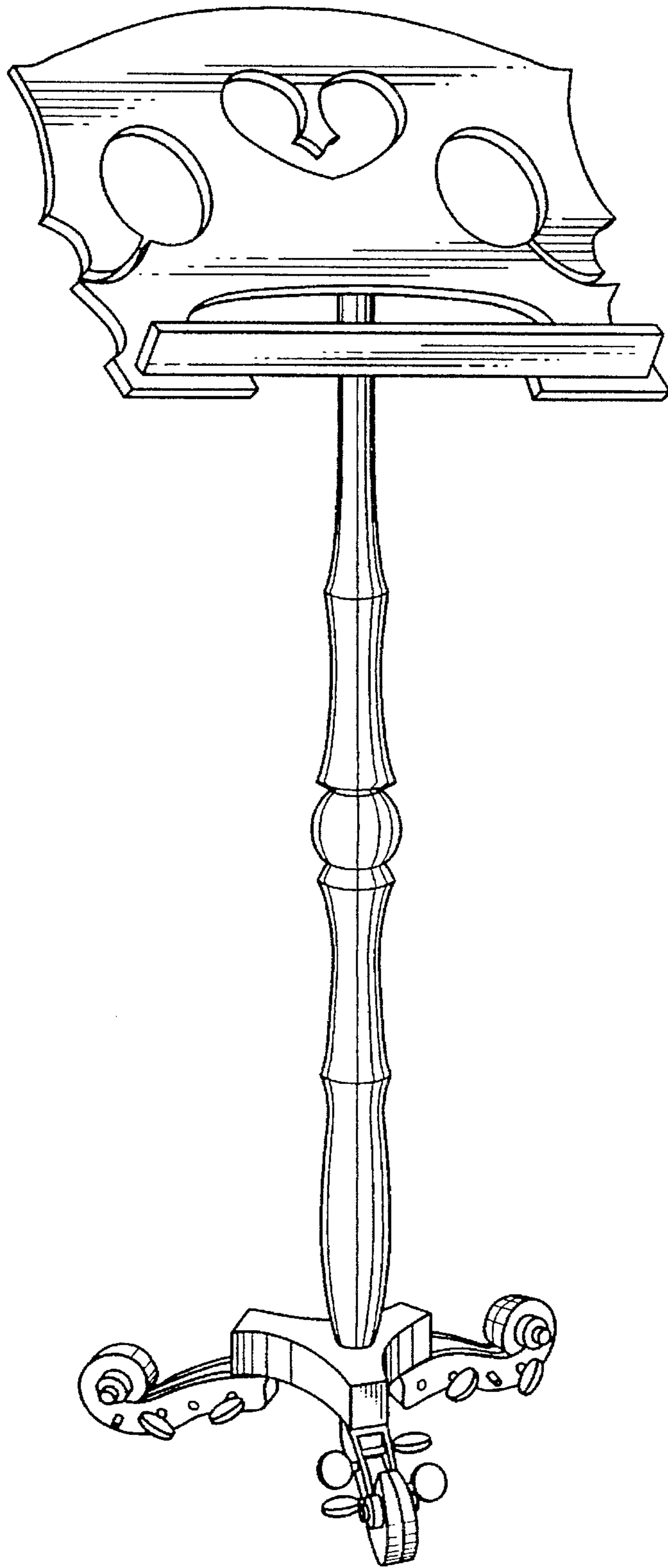


Fig. 1

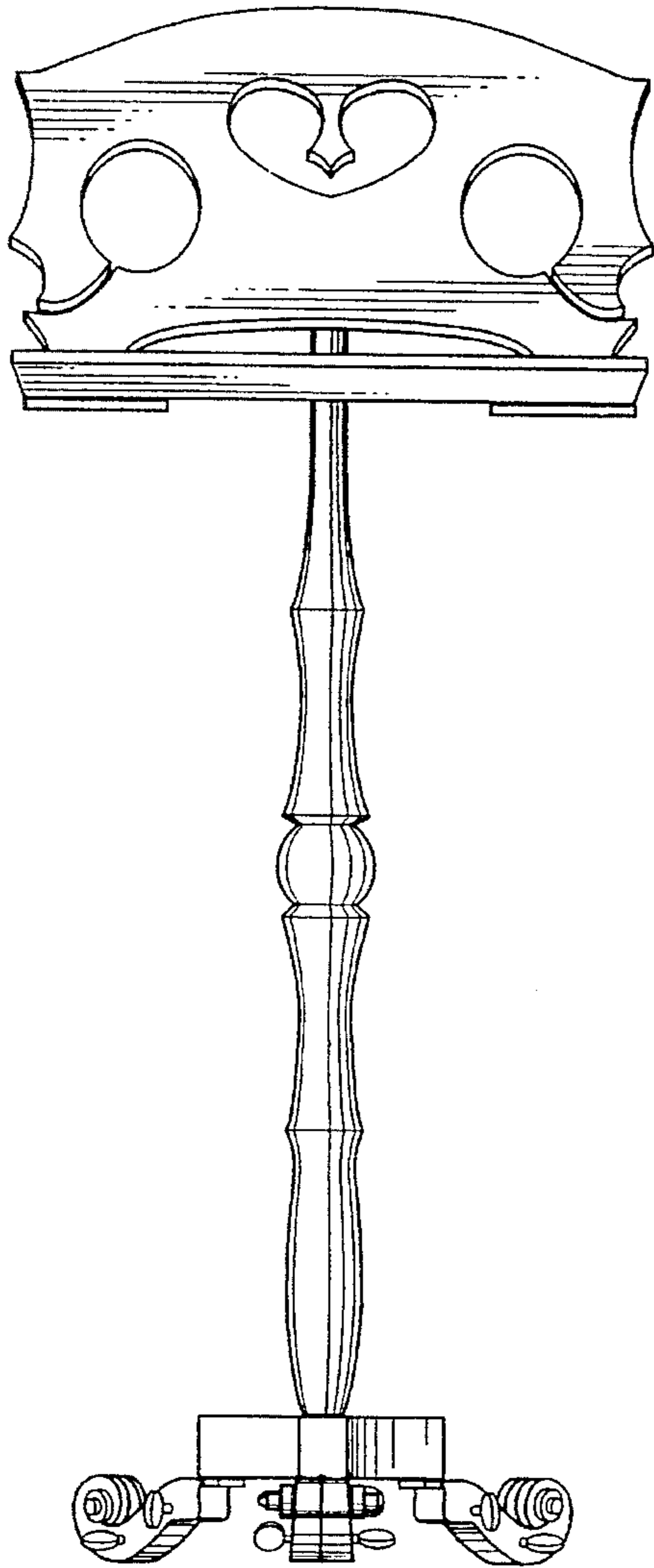


Fig. 2

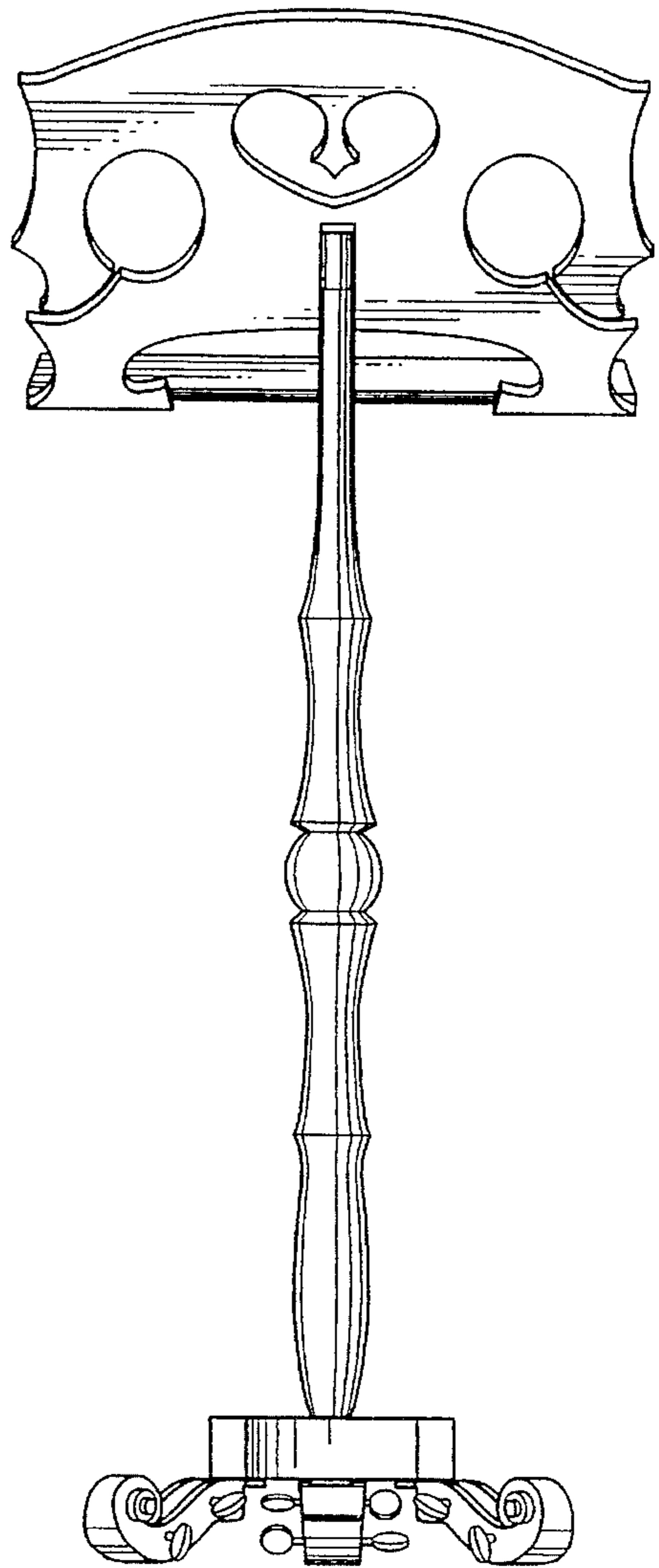


Fig. 3

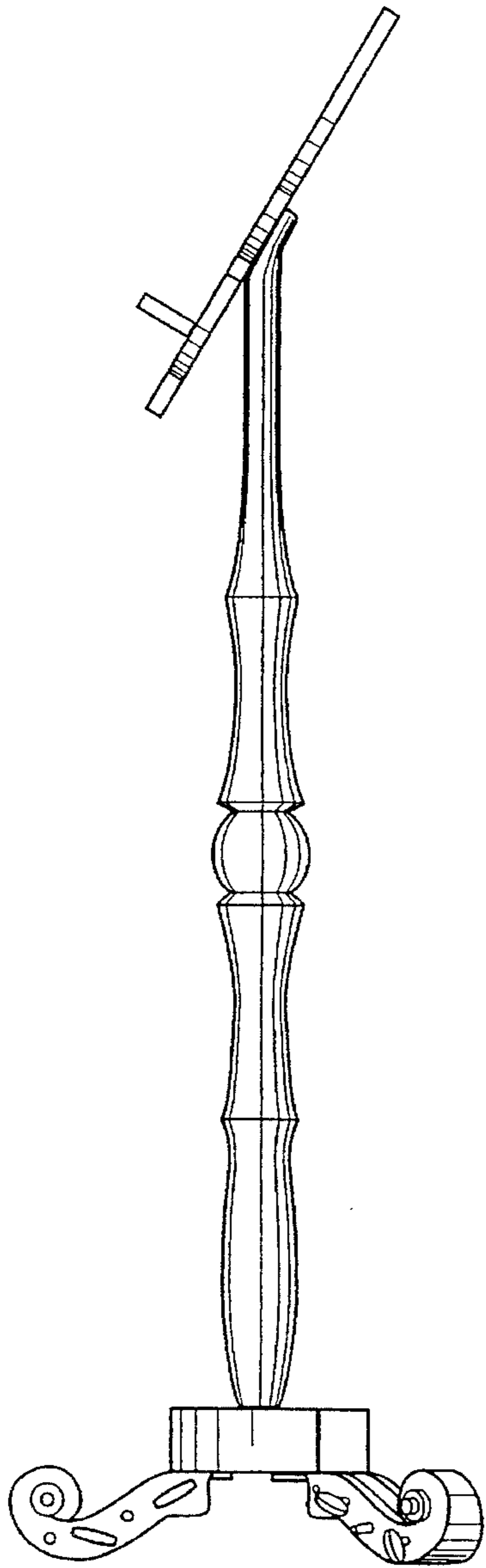


Fig. 4

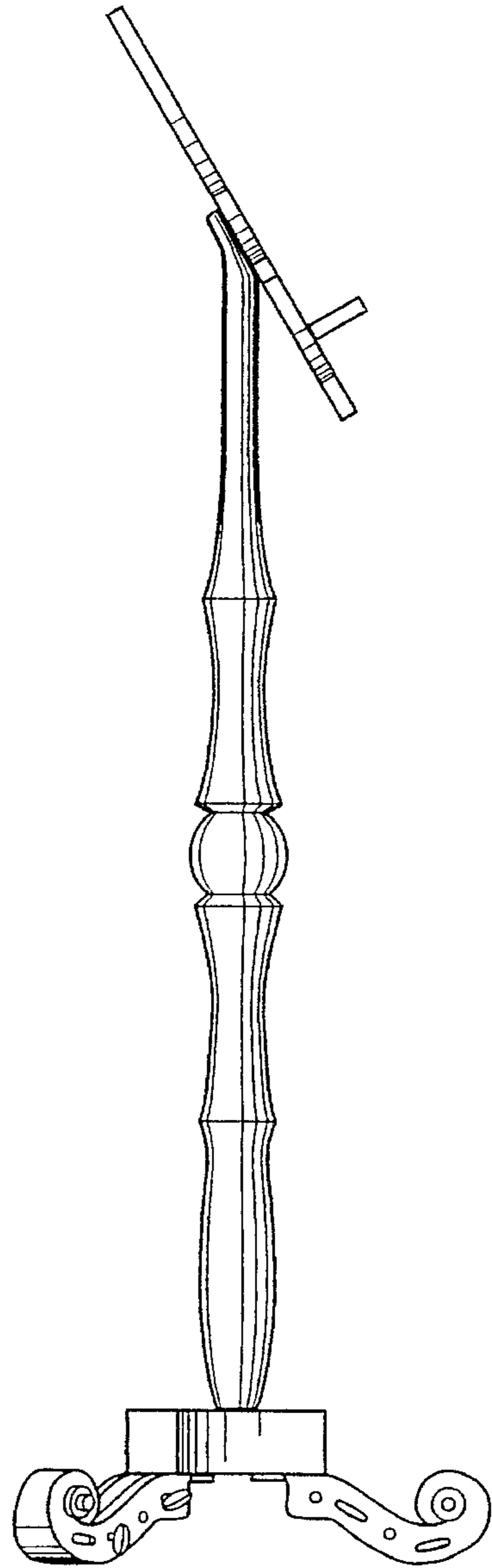


Fig. 5

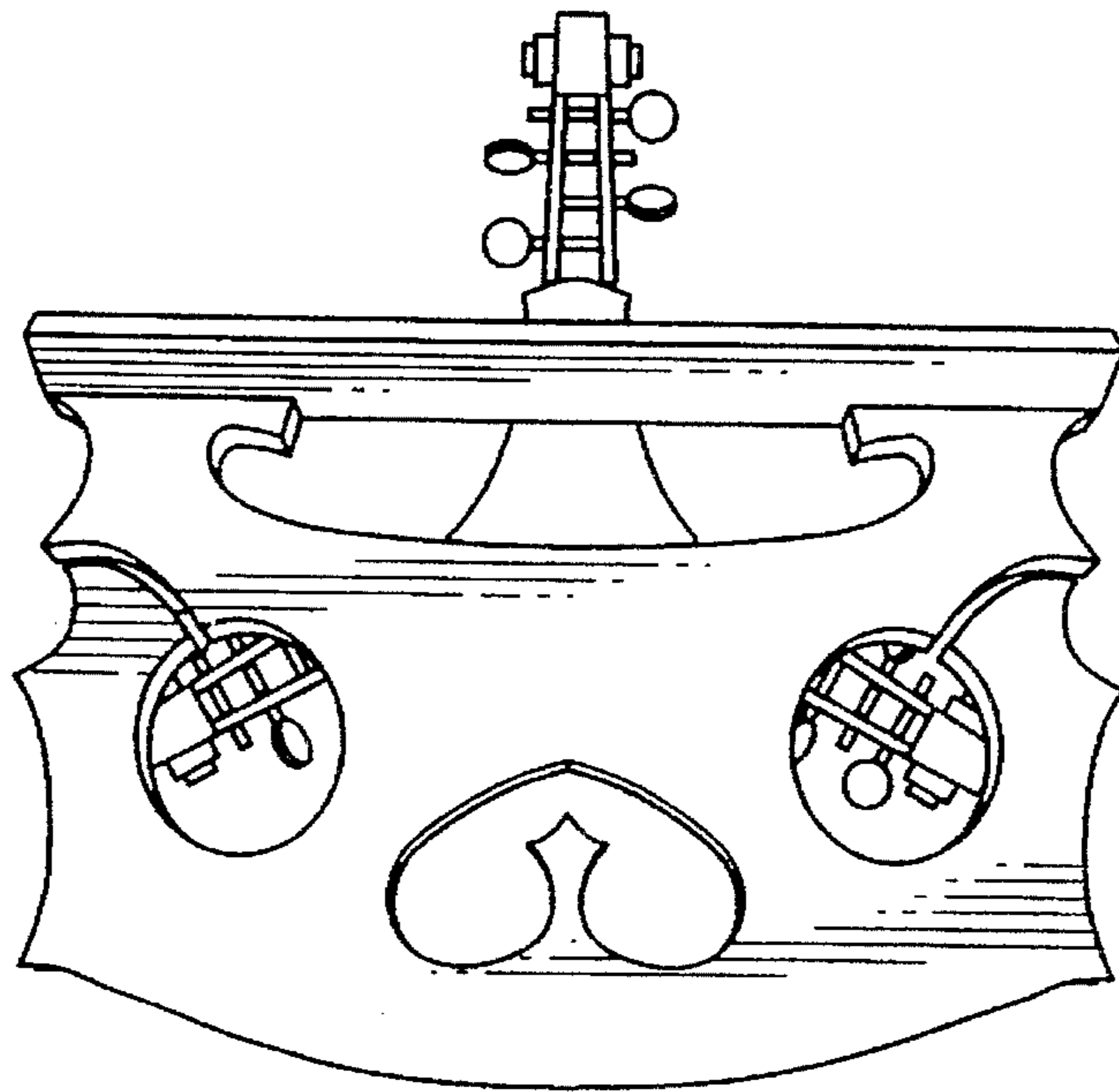


Fig. 6

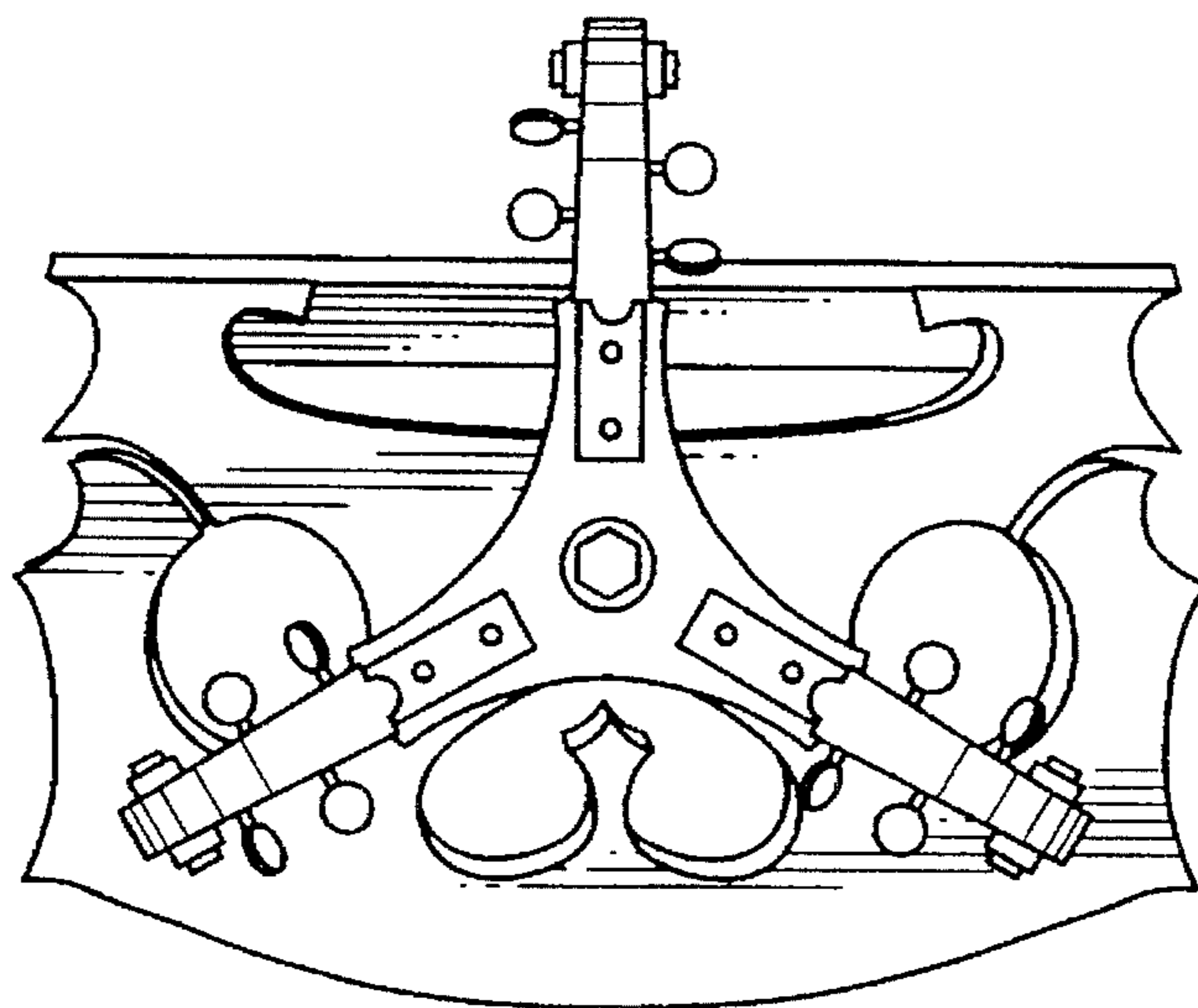


Fig. 7