



US00D367970S

United States Patent [19]

Rhoads

[11] Patent Number: **Des. 367,970**

[45] Date of Patent: ****Mar. 19, 1996**

[54] SECTIONAL OFFICE FURNITURE
INFORMATION DESK UNIT

[75] Inventor: **Spencer L. Rhoads**, Radisson, N.Y.

[73] Assignee: **The Croydon Company, Inc.**,
Liverpool, N.Y.

[**] Term: **14 Years**

[21] Appl. No.: **5,377**

[22] Filed: **Mar. 2, 1993**

[52] U.S. Cl. **D6/397**

[58] Field of Search D6/377, 364, 349,
D6/335, 336, 397, 481, 482, 477-479;
297/232; 312/204, 140.1, 140.2

[56] **References Cited**

U.S. PATENT DOCUMENTS

D. 108,501	2/1938	Stevens	D6/481
D. 129,924	10/1941	Lowther	D6/481 X
D. 133,109	7/1942	Smith	D6/397
D. 137,570	3/1944	Stark	D6/481
D. 149,512	5/1948	Moseley	D6/481
D. 193,458	8/1962	Pearson	D6/478

D. 255,517	6/1980	Gale	D6/481 X
D. 279,739	7/1985	Aspenwall	D6/471
D. 342,168	12/1993	Gibson	D6/335 X
4,077,666	3/1978	Heumann	D6/377 X

OTHER PUBLICATIONS

Intrex Inc. Jul. 1977 p. 31; seating inter-join Bench system Series 10400 on page.

DIA ©1983 sectional on page.

Intrex—Omaha Series 1983, pp. 22 & 23, table top forms on pages.

Primary Examiner—Carmen H. Vales-Lado

[57] **CLAIM**

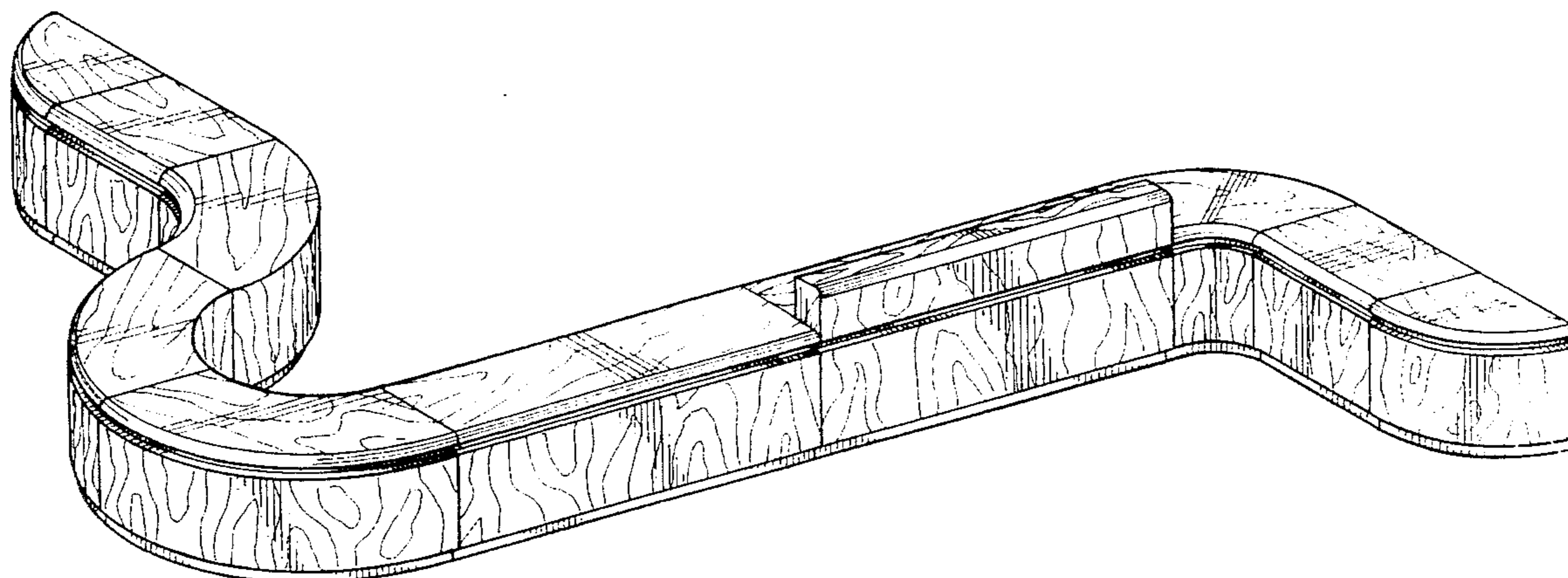
The ornamental design for a sectional office furniture information desk unit, as shown and described.

DESCRIPTION

FIG. 1 is a front perspective view of a sectional office furniture information desk unit showing my new design; and,

FIG. 2 is a rear perspective view thereof.

1 Claim, 2 Drawing Sheets



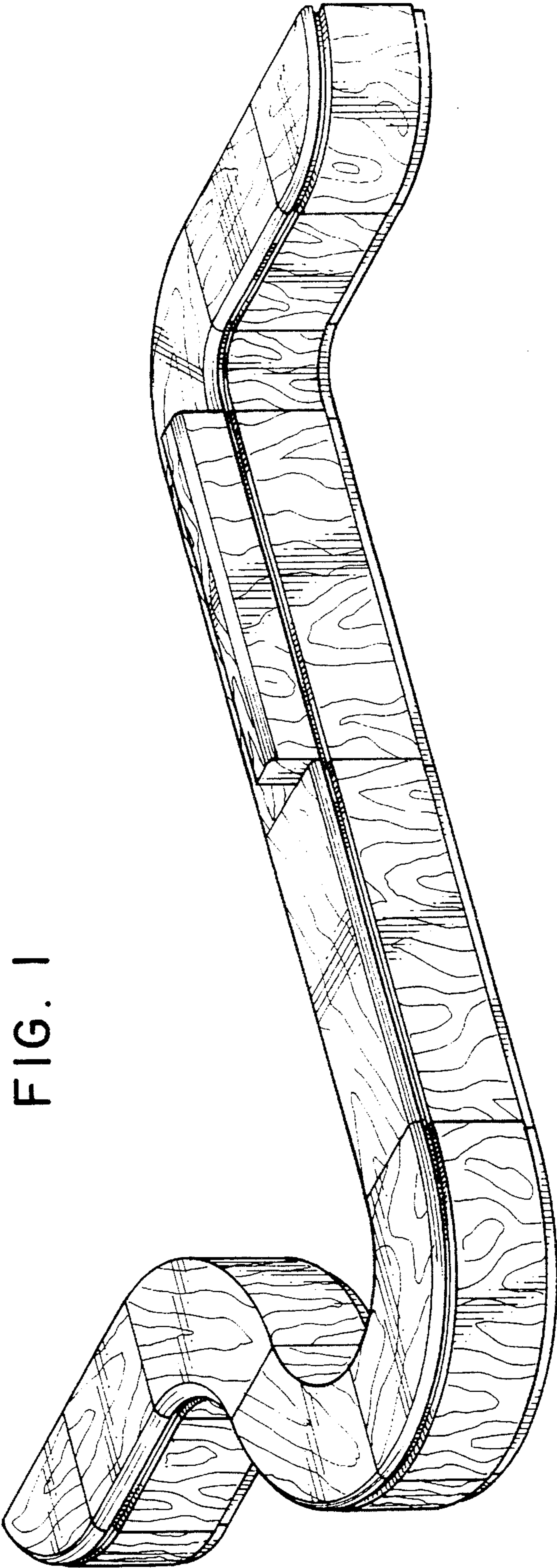


FIG. 1

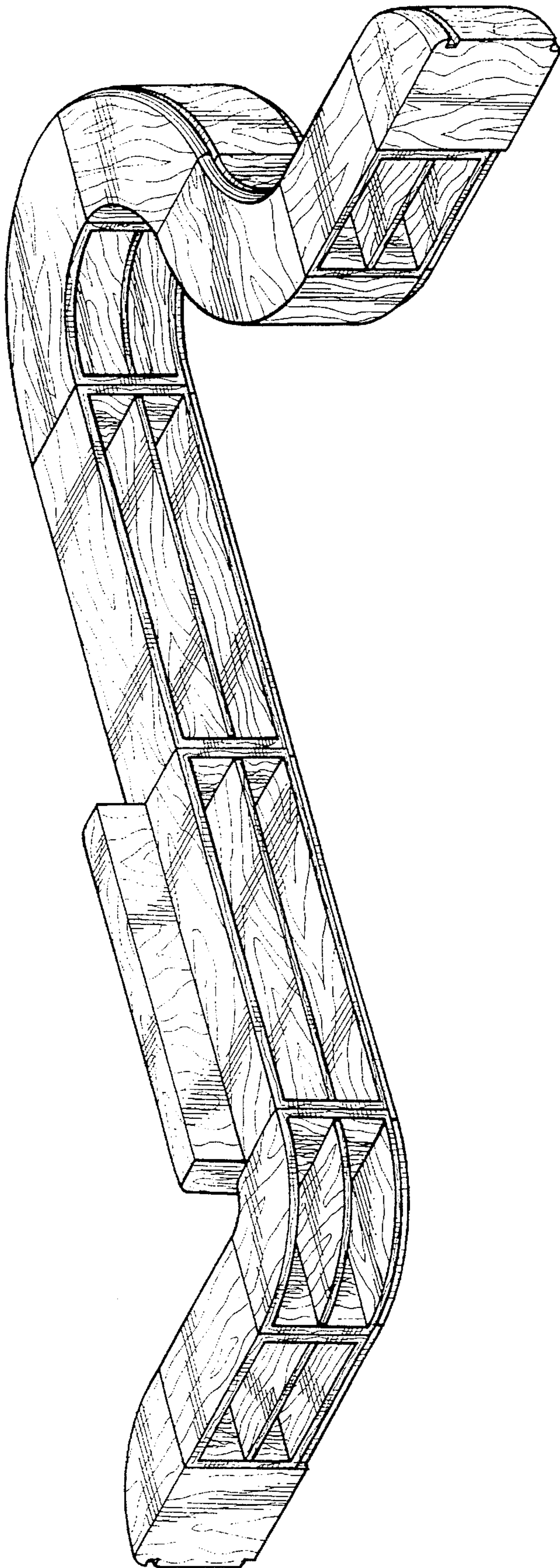


FIG. 2