



US00D367967S

# United States Patent [19]

Calmeise et al.

[11] Patent Number: **Des. 367,967**

[45] Date of Patent: **\*\*Mar. 19, 1996**

[54] **STEP STOOL**

[75] Inventors: **Randall W. Calmeise**, Oakwood Village; **David L. O'Neal**, North Canton, both of Ohio

[73] Assignee: **Rubbermaid Incorporated**, Wooster, Ohio

[\*\*] Term: **14 Years**

[21] Appl. No.: **37,724**

[22] Filed: **Apr. 19, 1995**

[52] U.S. Cl. .... **D6/336; D6/349**

[58] Field of Search ..... **D6/334, 335, 336, D6/349, 350, 351, 500, 501, 502; D8/71; D25/65; D34/24; 182/33; 297/423.41**

### [56] References Cited

#### U.S. PATENT DOCUMENTS

D. 181,793	12/1957	Hansen	.....	D9/2
D. 271,256	11/1983	McClelland	.....	D6/32
D. 276,861	12/1984	Keddie	.....	D6/336
D. 279,238	6/1985	Ferdinand et al.	.....	D6/350
D. 284,911	8/1986	Lemmeyer	.....	D6/349
D. 287,434	12/1986	Wolfe et al.	.....	D6/336
D. 295,001	4/1988	Ferdinand et al.	.....	D6/336
D. 298,674	11/1988	Koller, Sr.	.....	D6/336 DX
D. 307,800	5/1990	Hradisky	.....	D25/65
D. 330,462	10/1992	Szablak et al.	.....	D6/350
D. 335,966	6/1993	Schwartzkopf et al.	.....	D6/350
D. 337,211	7/1993	Bergkvist	.....	D6/349
D. 346,704	5/1994	Grosfillex	.....	D6/349
D. 347,527	6/1994	Breen et al.	.....	D6/349
D. 351,476	10/1994	Grosfillex	.....	D25/63
D. 351,508	10/1994	Bonazza	.....	D6/336
D. 351,950	11/1994	Bird et al.	.....	D6/351
D. 354,210	1/1995	Dickinson et al.	.....	D8/71
D. 355,828	2/1995	Dickinson et al.	.....	D8/71
2,491,671	12/1949	Lister	.....	155/2

2,681,809	6/1954	Hamill	.....	280/12
2,950,753	8/1960	Gleitsman et al.	.....	155/169
3,099,398	7/1963	Croteau	.....	240/4
4,067,607	1/1978	Battles	.....	297/192
4,366,998	1/1983	Kaiser	.....	312/235
4,458,963	7/1984	Keddie	.....	312/237
4,541,539	9/1985	Matthews	.....	220/20
4,744,613	5/1988	Brantingham et al.	.....	312/235

#### OTHER PUBLICATIONS

Pp. 771, 712 and 713, Stools; Popular Mechanics, address unknown. Publication date 1938.

Sell sheet, Stool; Cramer, Inc., 625 Adams Street, Kansas City, Kansas 66105. Publication date Oct. 13, 1986.

P. 7, Euro Stool; Dupol-Rubbermaid GmbH, An der Trift 63, D06072 Dreieich, West Germany. Publication date 1989.

*Primary Examiner*—Gary D. Watson  
*Attorney, Agent, or Firm*—Richard B. O'Planick; Lisa B. Riedesel

#### [57] CLAIM

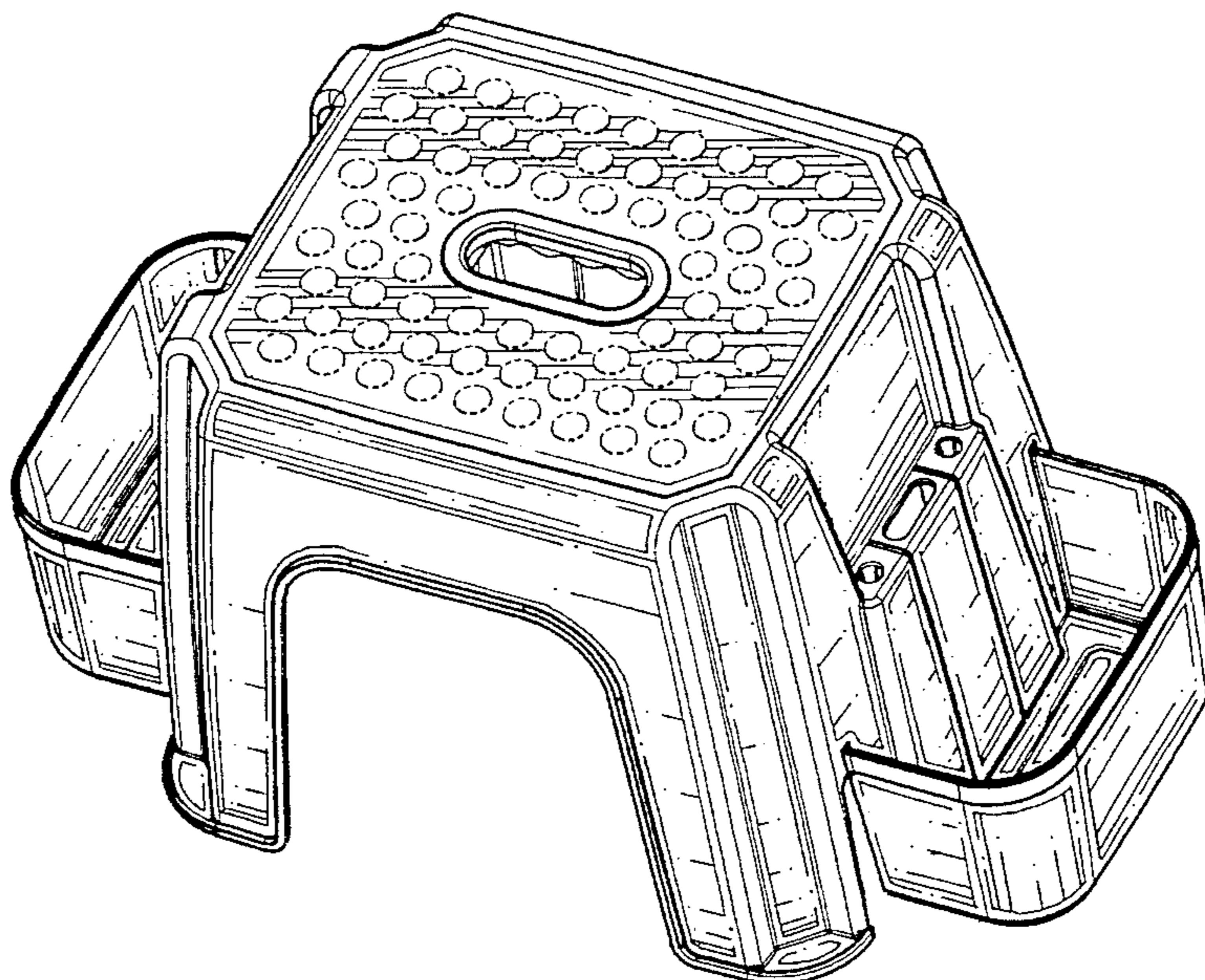
The ornamental design for a step stool, as shown and described.

#### DESCRIPTION

FIG. 1 is a top right front perspective view of a step stool showing our new design;  
 FIG. 2 is a top plan view thereof;  
 FIG. 3 is a right side elevational view thereof, the left side elevational view being a mirror image;  
 FIG. 4 is a front elevational view thereof; the rear elevational view being a mirror image; and,  
 FIG. 5 is a bottom plan view thereof.

The broken line showings of circular tread in FIGS. 1 and 2 are for environmental purposes only and form no part of the claimed design.

**1 Claim, 5 Drawing Sheets**



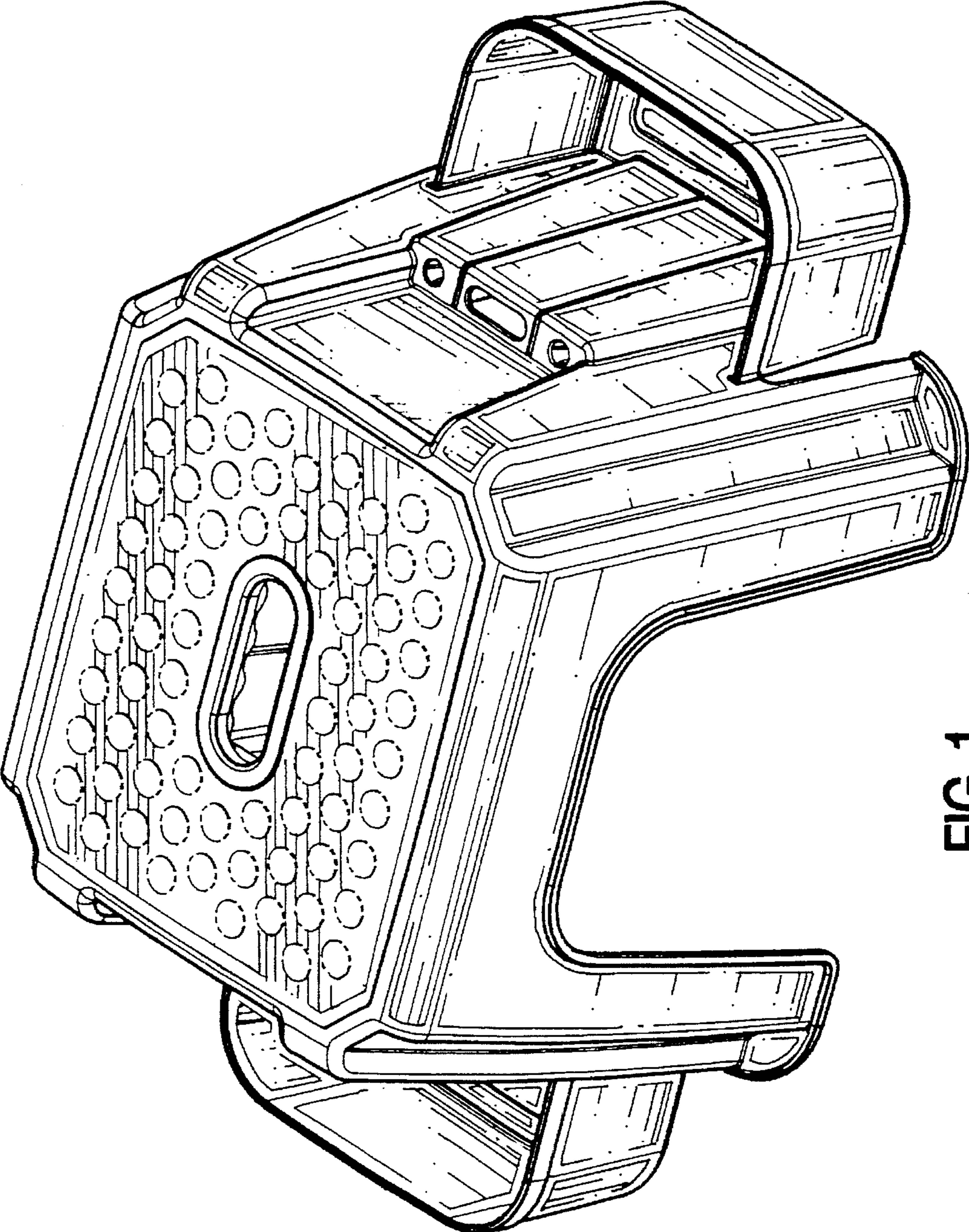


FIG. 1

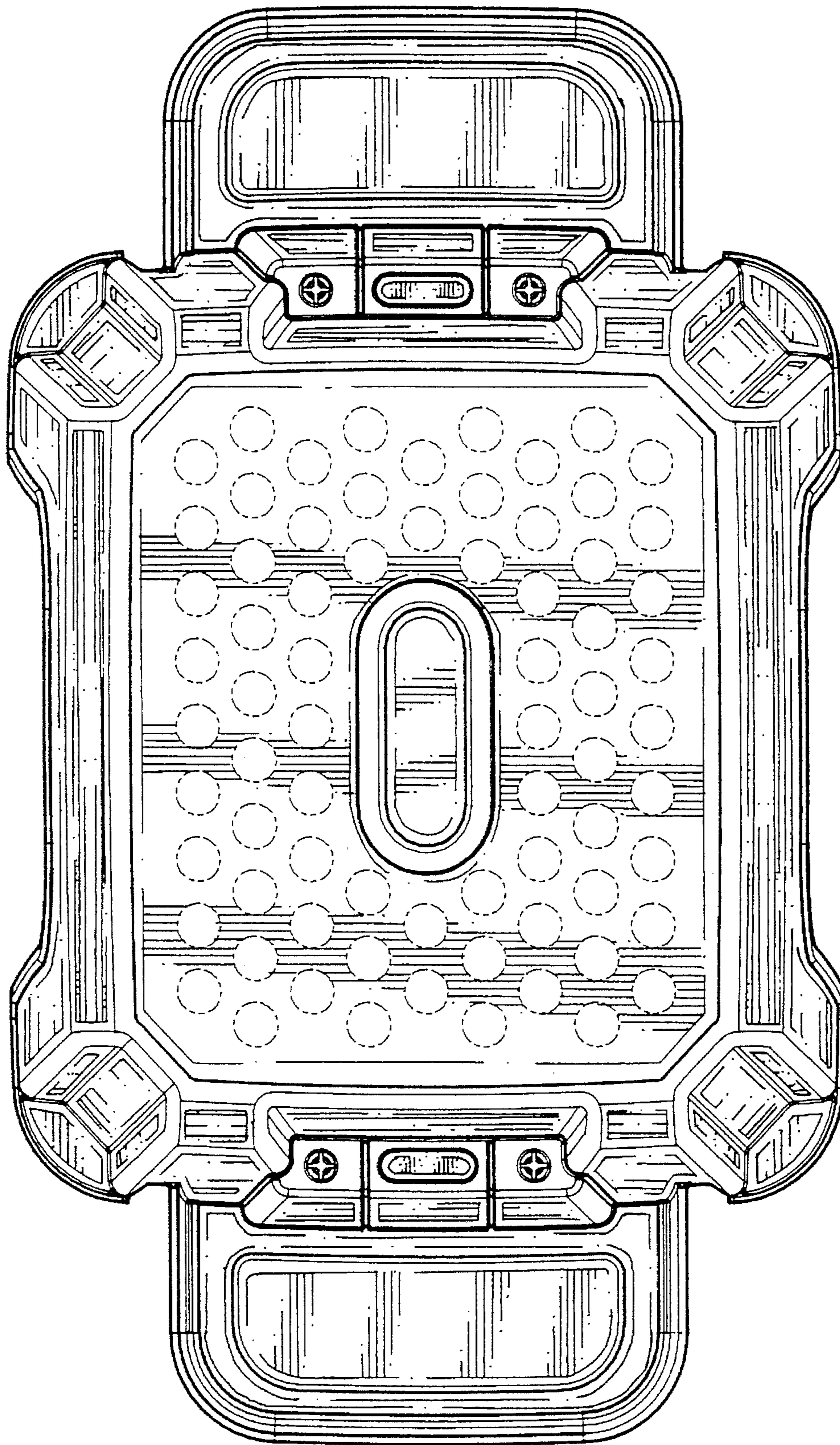


FIG. 2

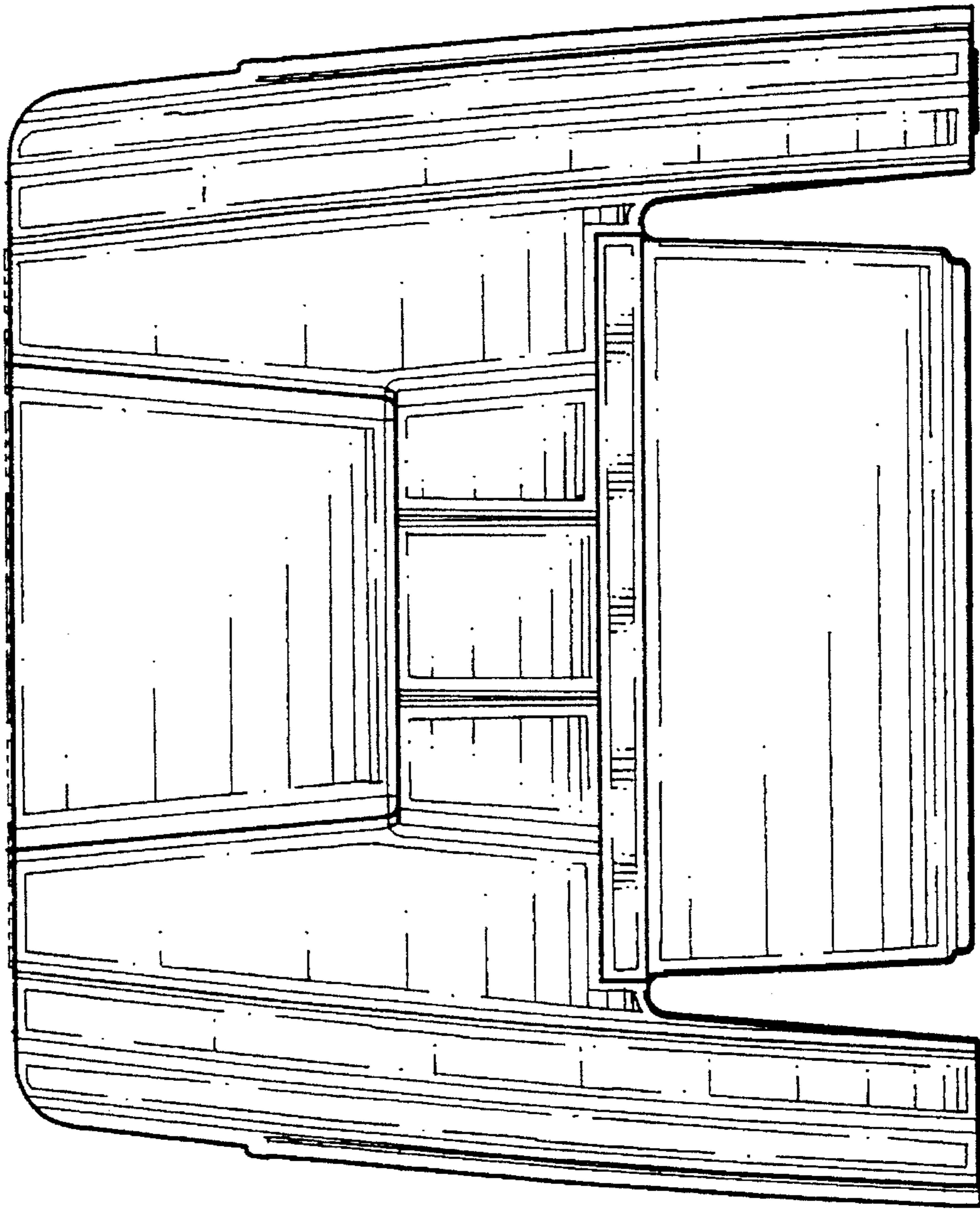


FIG. 3

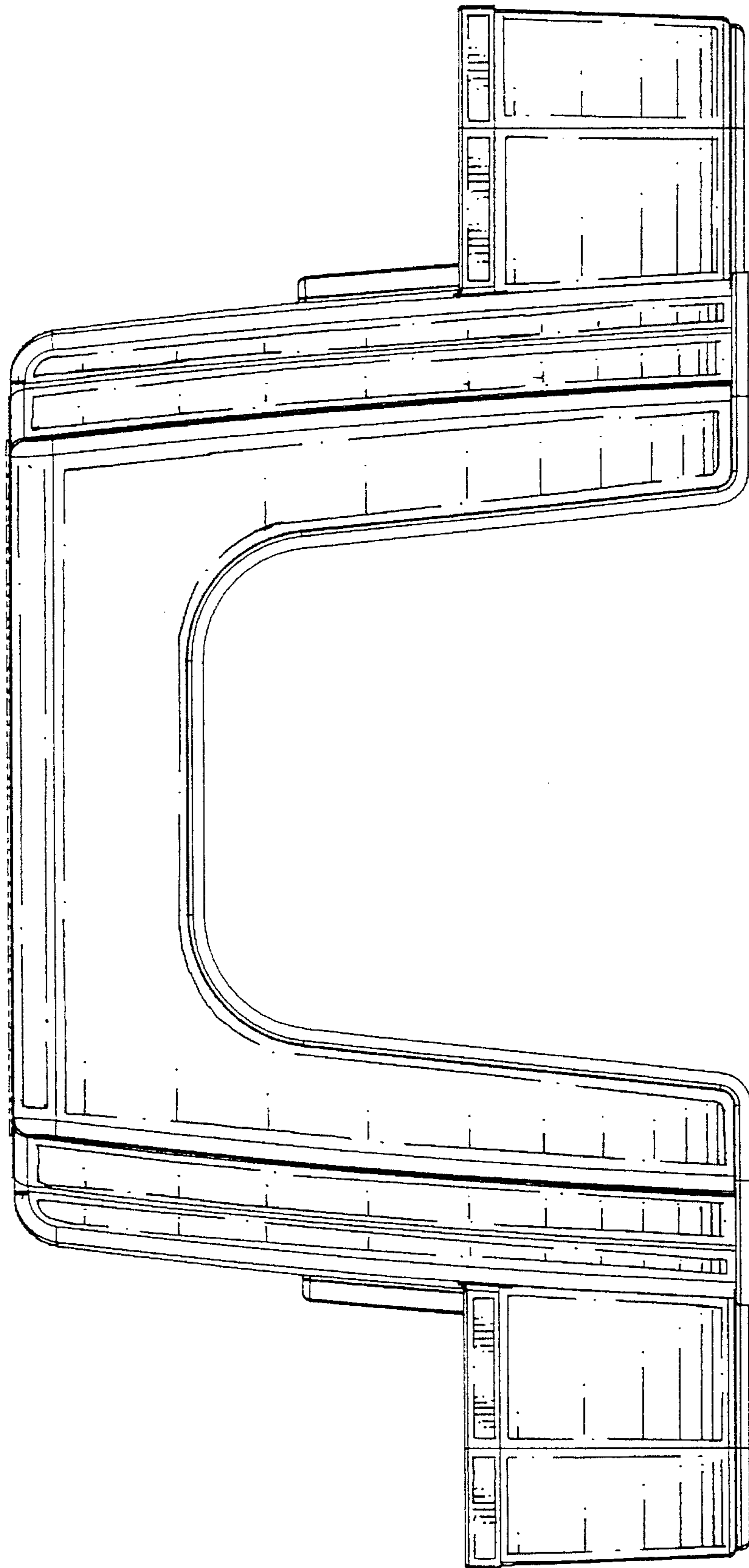


FIG. 4

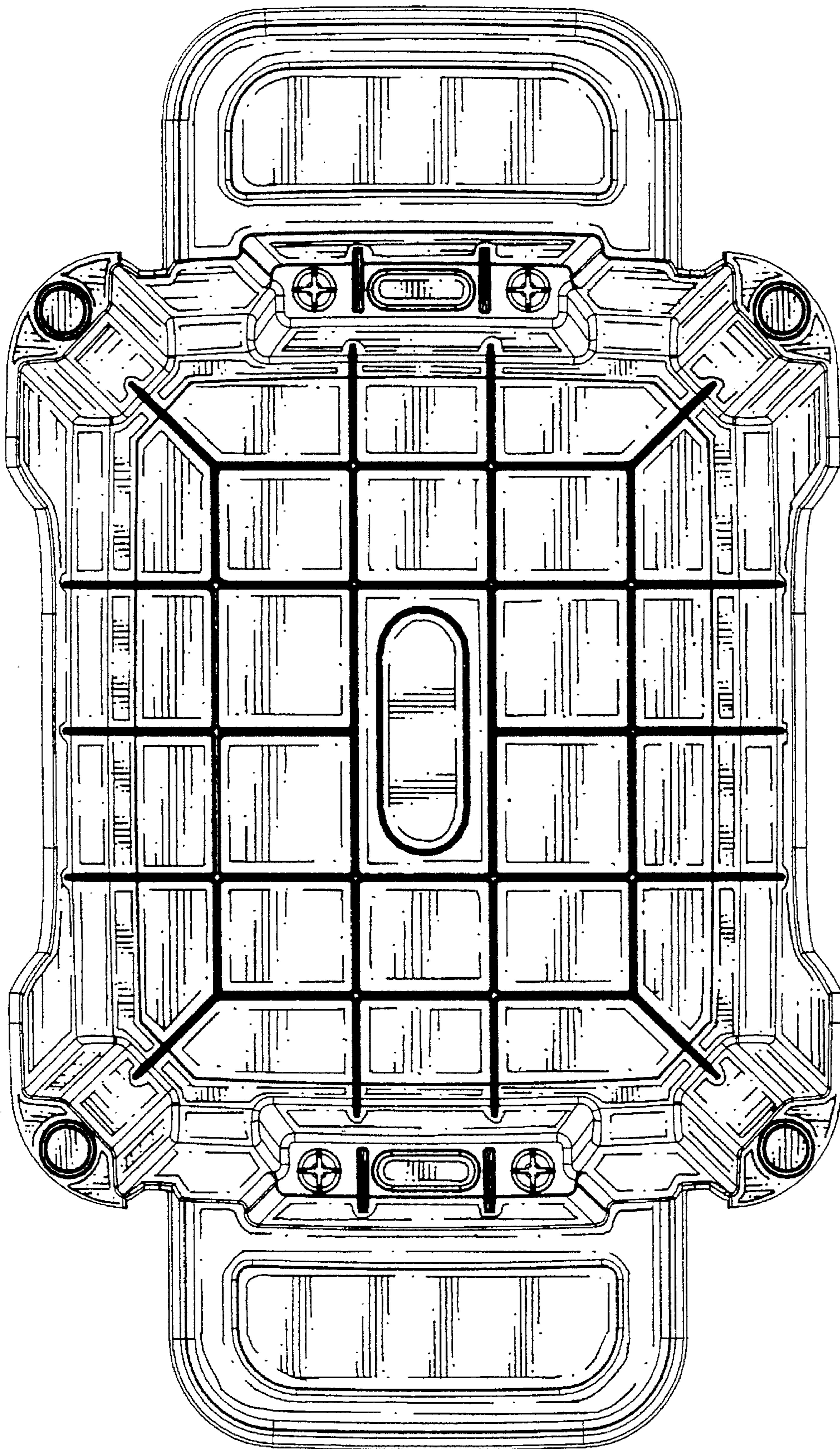


FIG. 5