



US00D367961S

United States Patent [19]

McNamara

[11] Patent Number: **Des. 367,961**

[45] Date of Patent: ****Mar. 19, 1996**

[54] SKATE CARRIER

4,279,366 7/1981 Kessler et al. 294/166 X
4,363,514 12/1982 Buffum D3/317 X

[76] Inventor: **Micheal McNamara**, 11 Riverwood Close S.E., Calgary, Alberta, Canada, T2C 3Z4

Primary Examiner—Louis S. Zarfes
Assistant Examiner—Catherine R. Oliver
Attorney, Agent, or Firm—George H. Dunsmuir

[**] Term: **14 Years**

[57] CLAIM

[21] Appl. No.: **27,729**

The ornamental design for a skate carrier, as shown and described.

[22] Filed: **Aug. 29, 1994**

[52] U.S. Cl. **D3/317**

DESCRIPTION

[58] Field of Search D3/317, 254, 221, D3/293, 259, 315, 328; D12/125; 294/137; D8/395, 396, 394, 373, 372, 356

FIG. 1 is a front perspective view of the skate carrier according to my design;

FIG. 2 is a front elevational view of the skate carrier according to FIG. 1, the rear being a mirror image thereof; and,

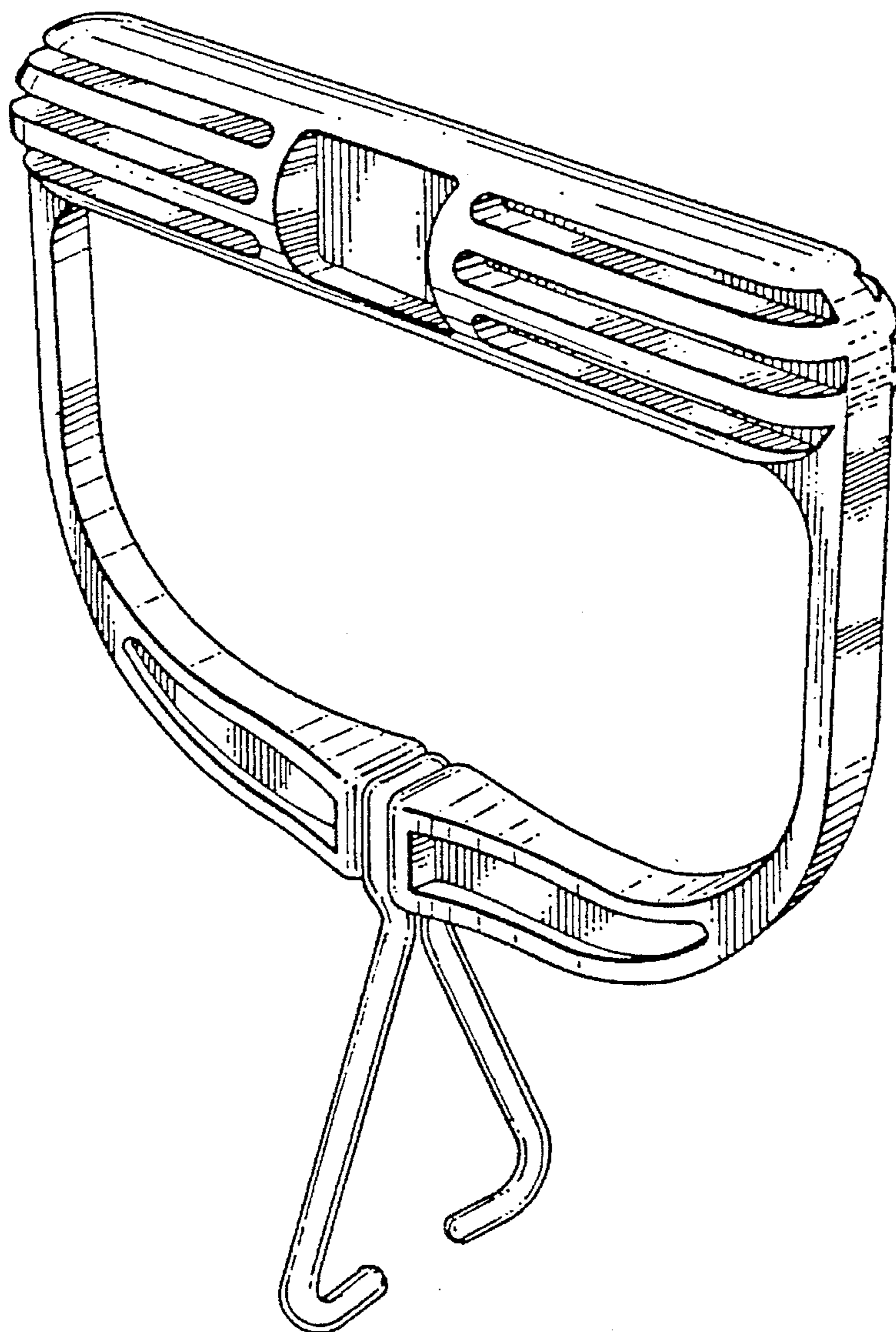
FIG. 3 is a side view of the skate carrier according to FIG. 1, the opposite side being a mirror image thereof.

[56] References Cited

U.S. PATENT DOCUMENTS

D. 191,091 8/1961 Harwood D12/125
D. 255,317 6/1980 Slinkard 294/137 X
D. 259,238 5/1981 Schenck, III. D8/373 X

1 Claim, 2 Drawing Sheets



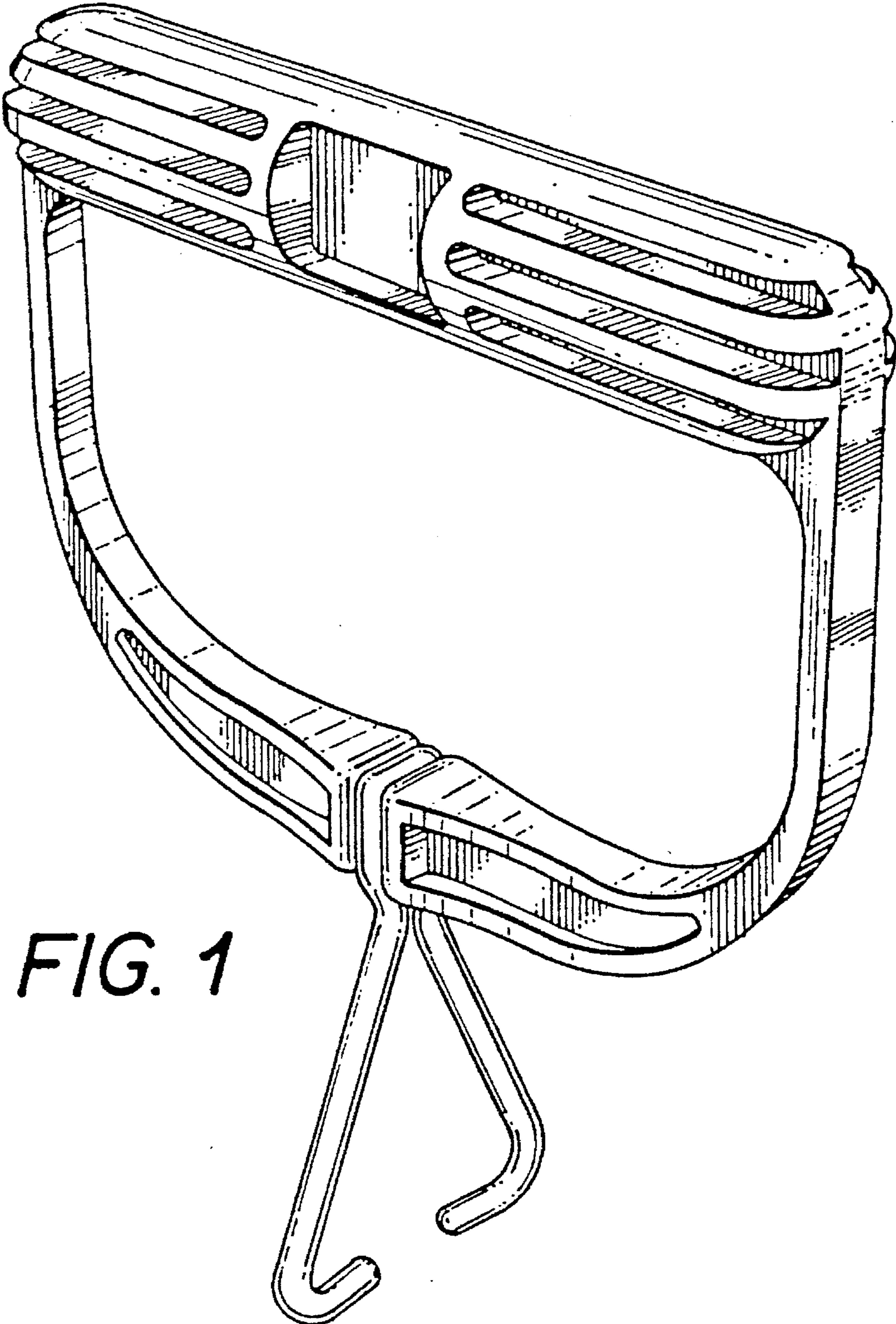


FIG. 1

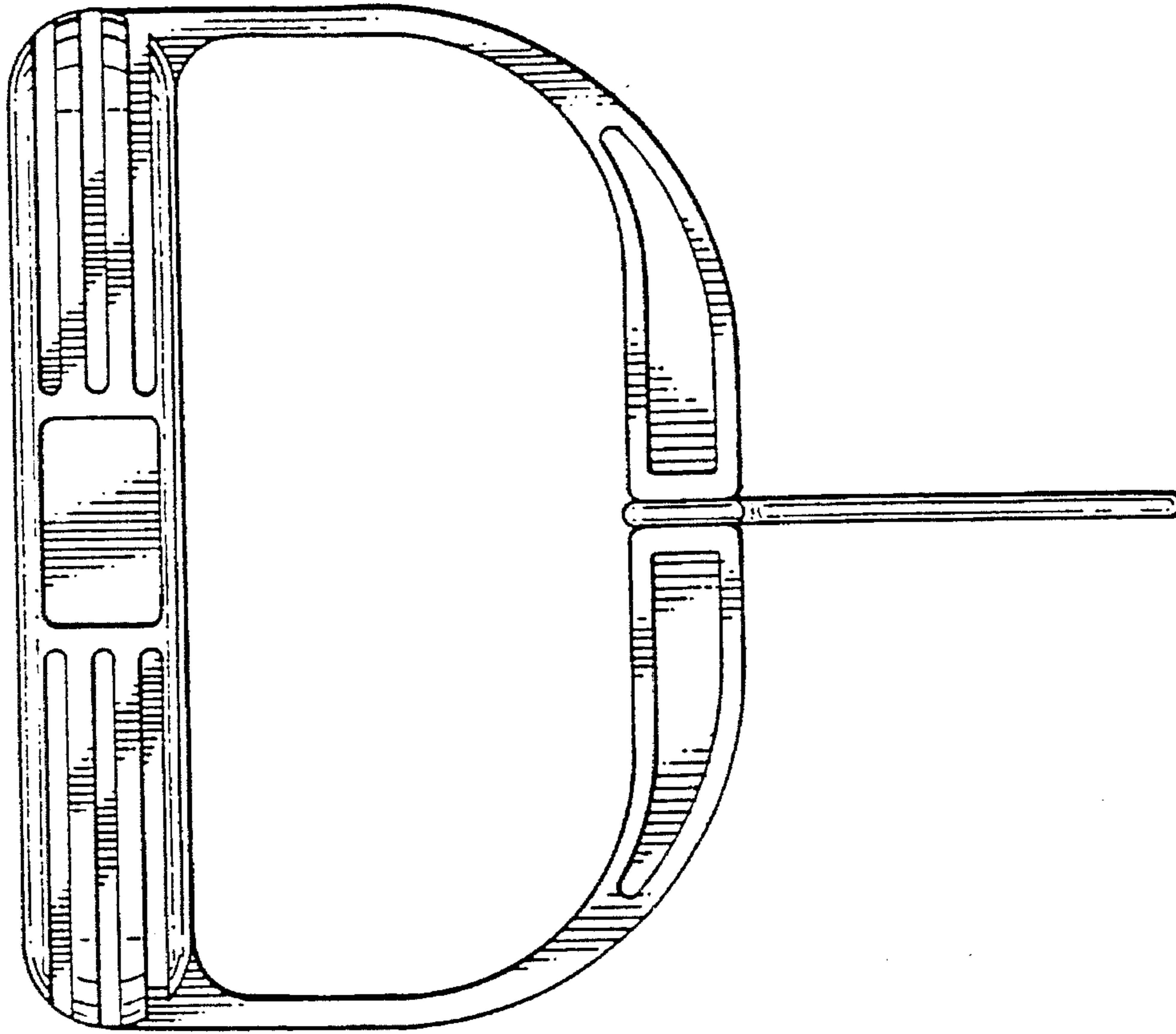


FIG. 2

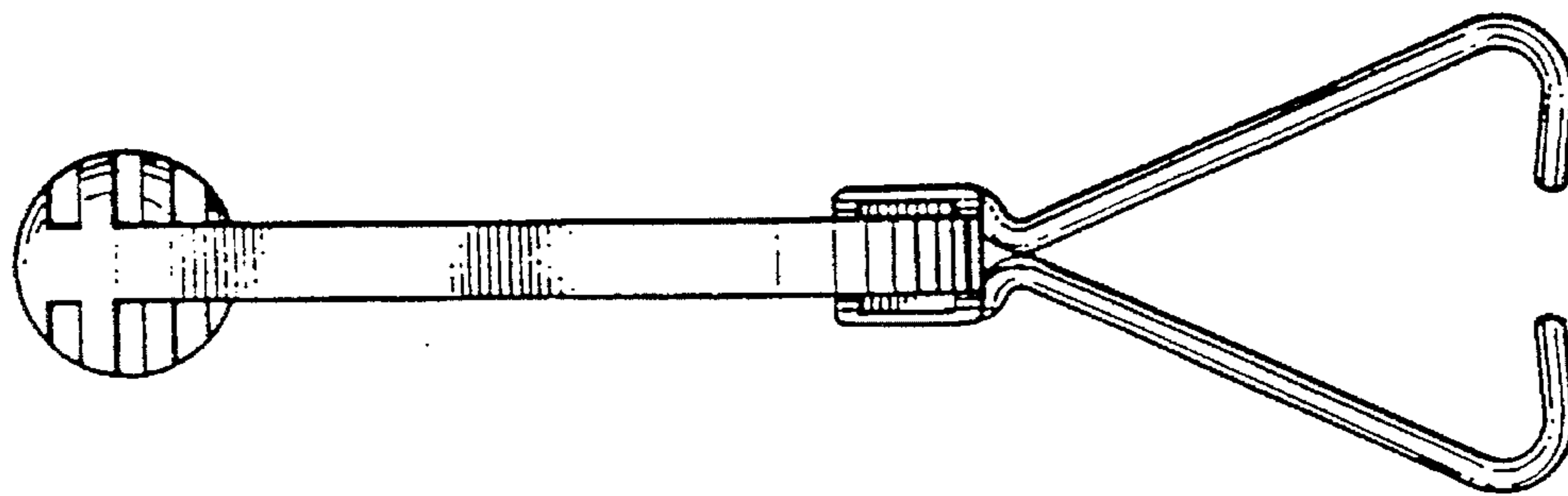


FIG. 3