



US00D367960S

United States Patent [19]

Werbesky, Jr.

[11] Patent Number: **Des. 367,960**

[45] Date of Patent: ****Mar. 19, 1996**

[54] SAFETY PROPANE TANK CARRIER

Attorney, Agent, or Firm—H. Jay Spiegel

[76] Inventor: **George Werbesky, Jr.**, 18 Jackson Pl.,
Darien, Conn. 06820

[57] CLAIM

[**] Term: **14 Years**

The ornamental design for a safety propane tank carrier, as shown and described.

[21] Appl. No.: **27,787**

DESCRIPTION

[22] Filed: **Sep. 1, 1994**

[52] U.S. Cl. **D3/316**

[58] Field of Search D3/304, 316, 315,
D3/327, 905, 272, 273, 307; D34/13, 19;
206/501, 521, 521.1, 524.5, 586, 588, 821

FIG. 1 shows a perspective view of my claimed design;
FIG. 2 shows an enlarged perspective view of a strap connection point of my claimed design;
FIG. 3 shows a top view of my claimed design on a reduced scale;
FIG. 4 shows a bottom view of my claimed design on a reduced scale;
FIG. 5 shows a side view of my claimed design on a reduced scale; and,
FIG. 6 shows the opposite side view of my claimed design on a reduced scale.

[56] References Cited

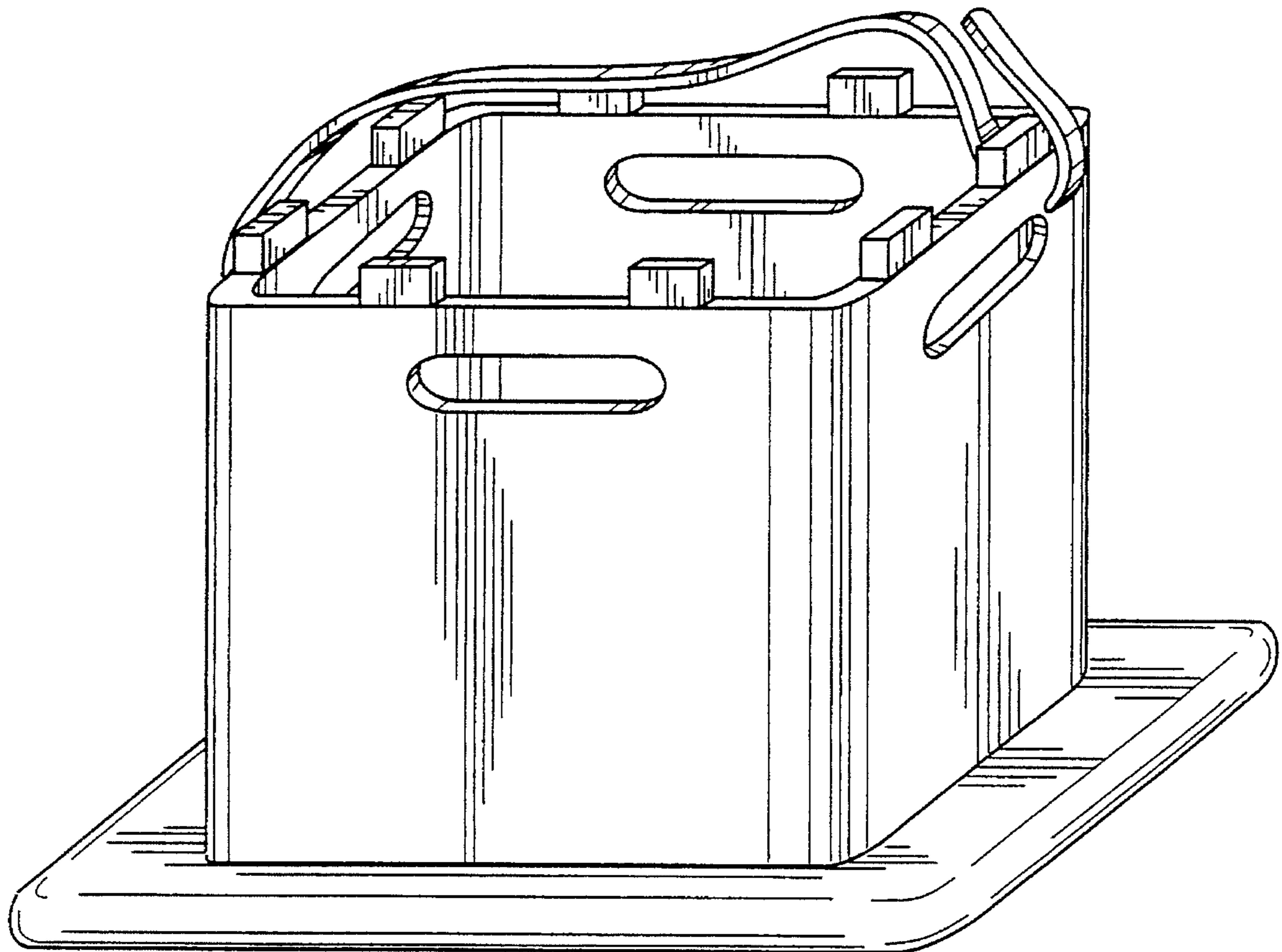
U.S. PATENT DOCUMENTS

D. 200,669	3/1965	Swane	D3/272	X
D. 208,588	9/1967	Hanson	D3/272	
D. 277,042	1/1985	Carter et al.	D3/272	X
3,186,586	6/1965	Box	D3/307	X

The broken line showing of a propane tank is for illustrative purposes only and forms no part of the claimed design.

Primary Examiner—Louis S. Zarfaz
Assistant Examiner—Catherine R. Oliver

1 Claim, 2 Drawing Sheets



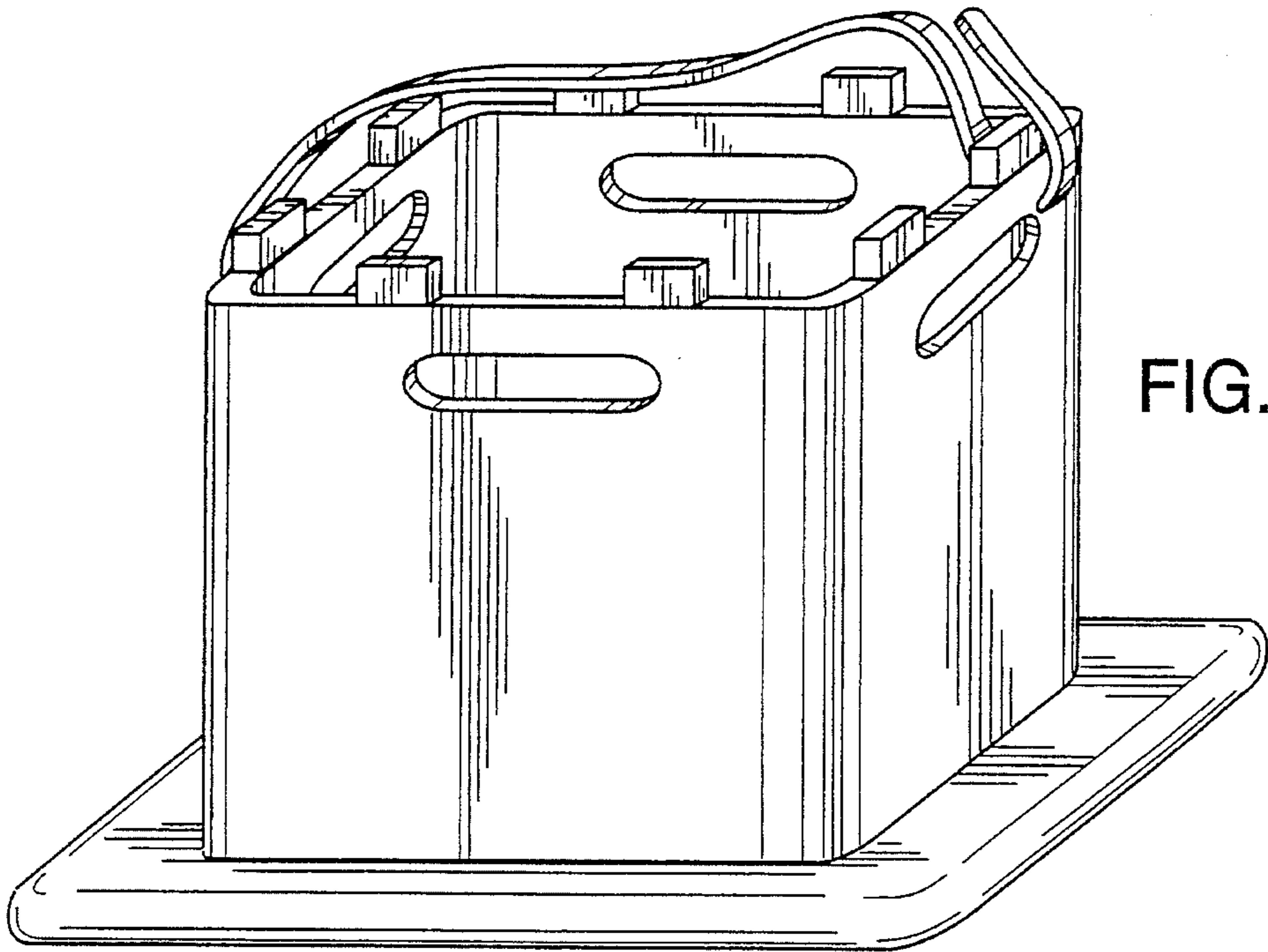


FIG. 1

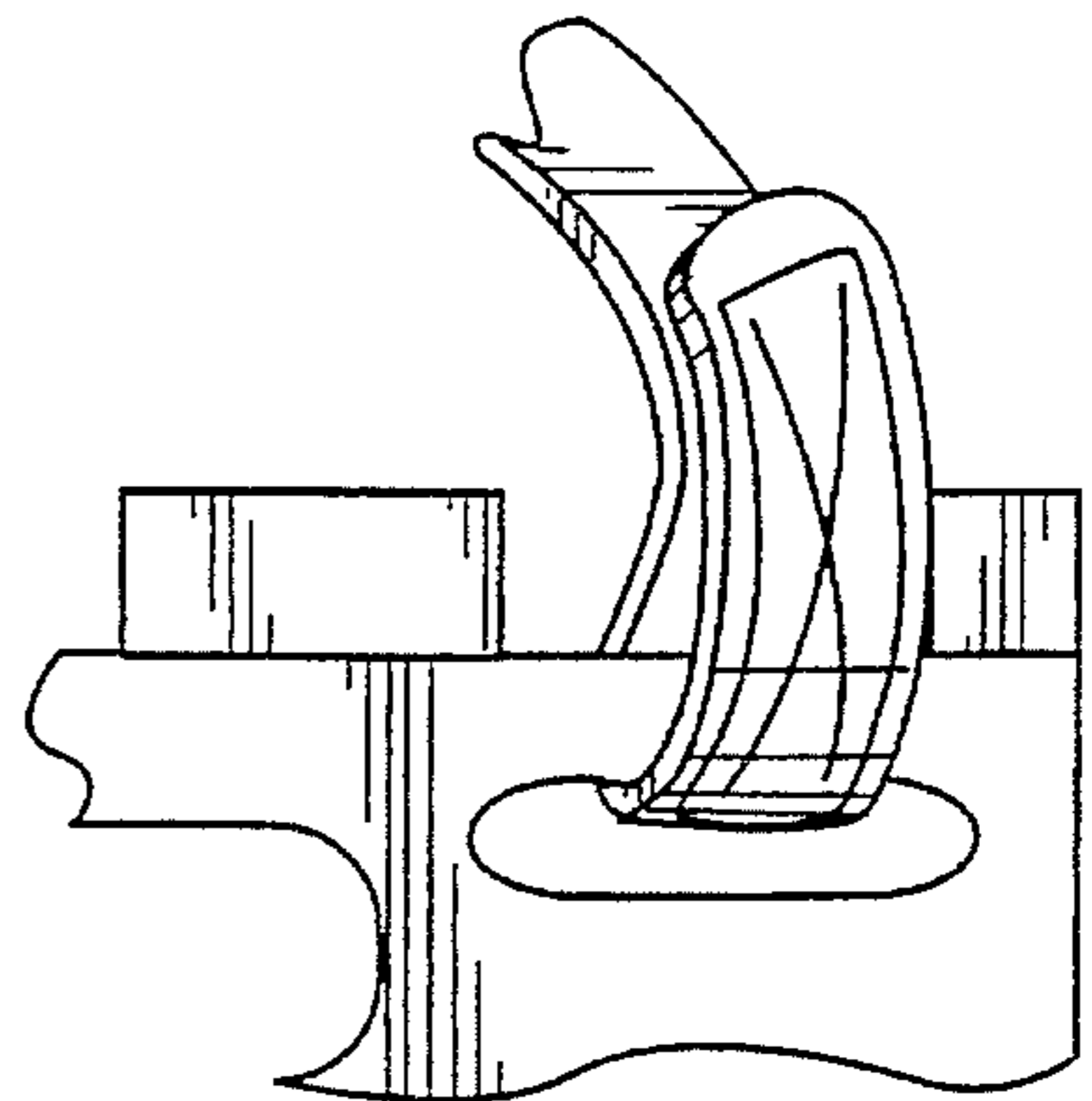


FIG. 2

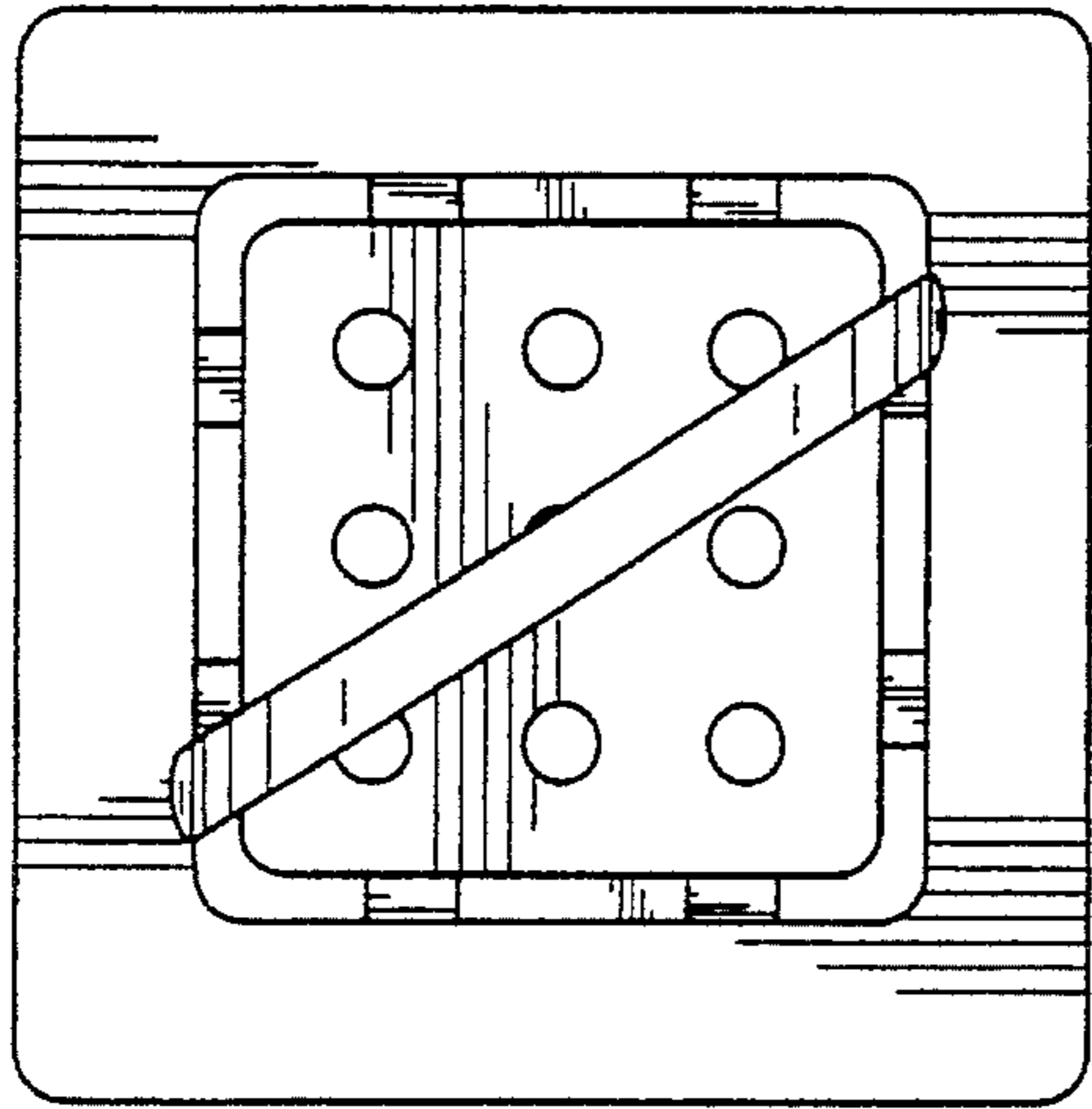


FIG. 3

FIG. 4

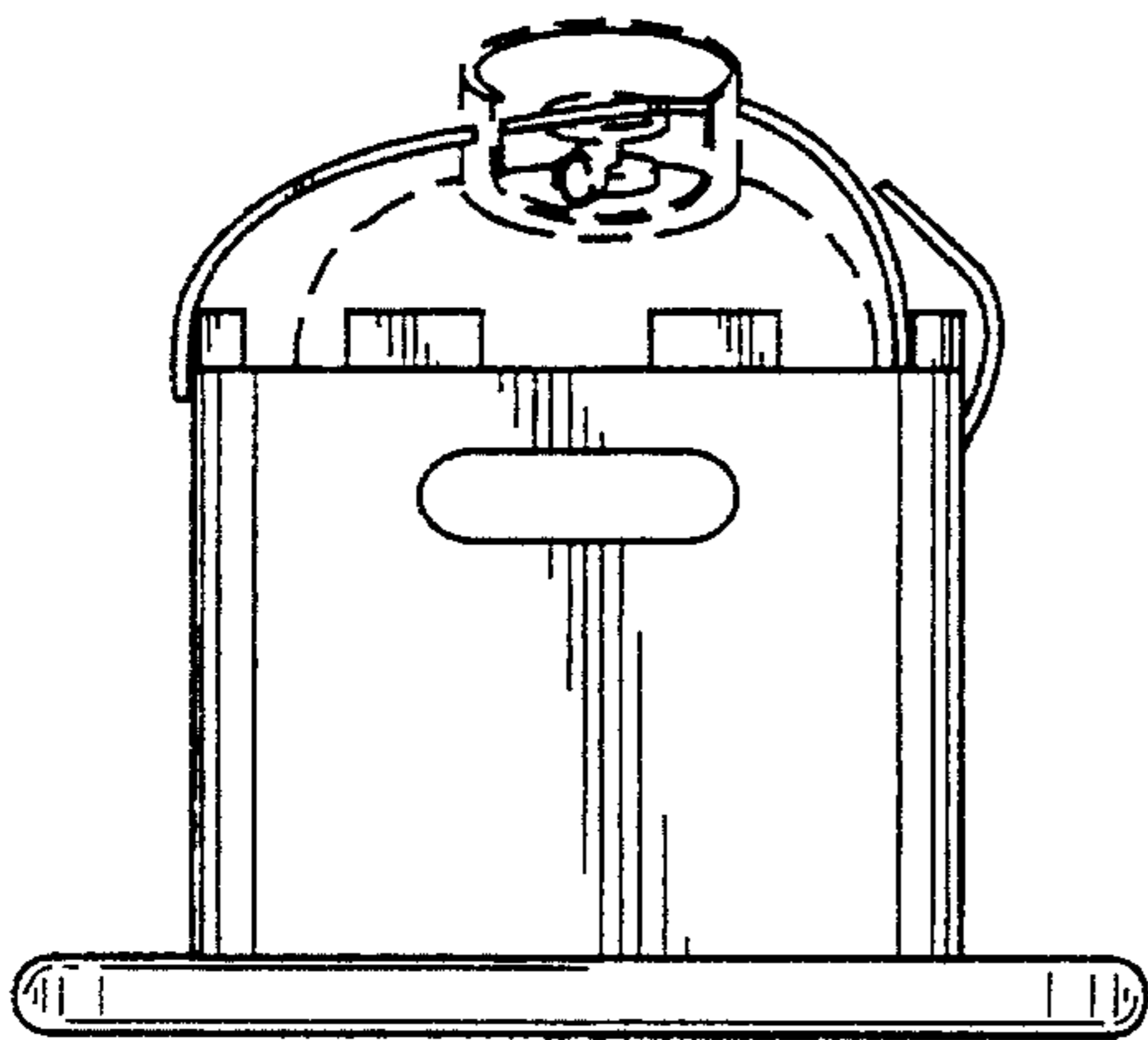
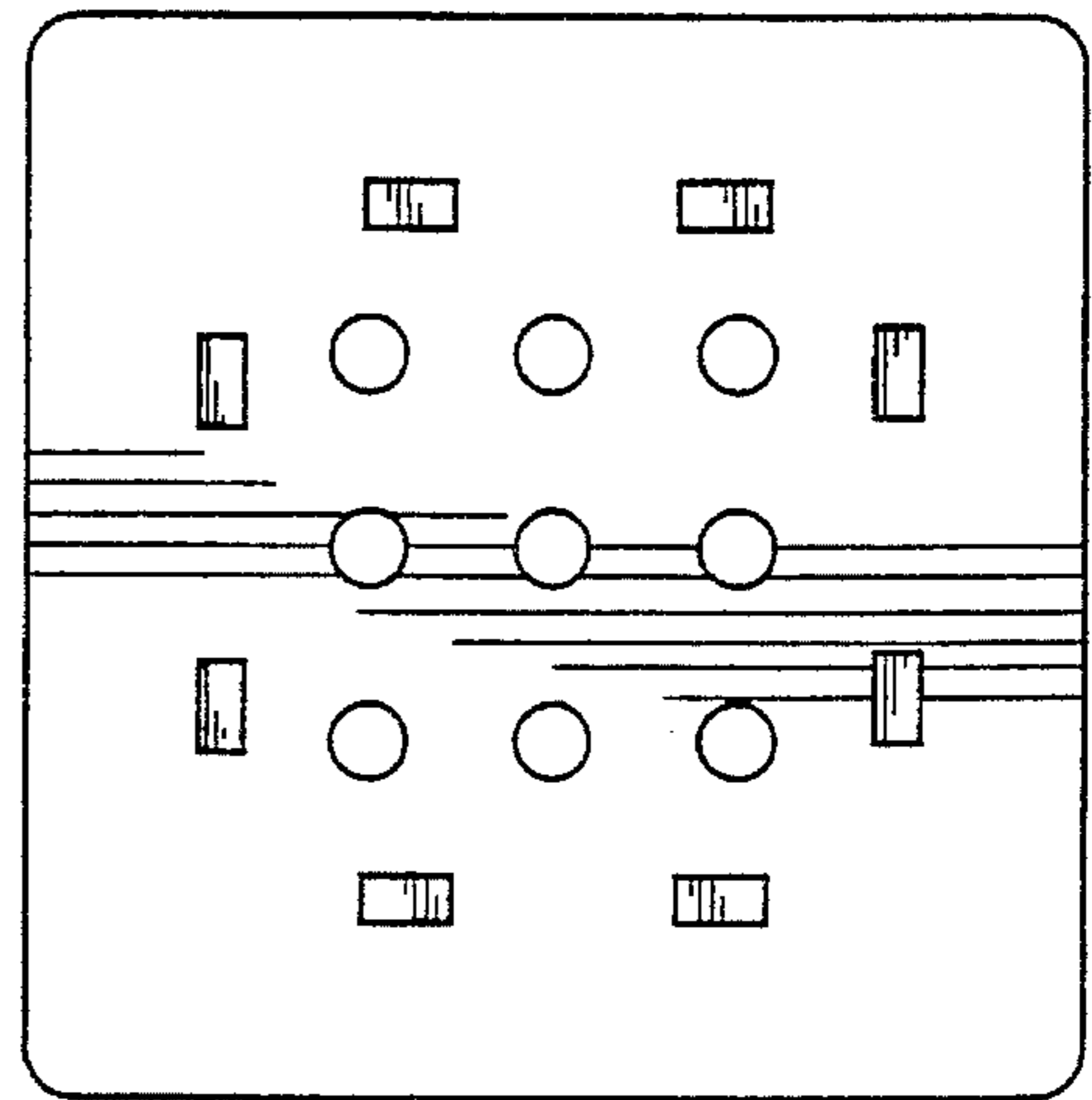


FIG. 5

FIG. 6

