



US00D367957S

# United States Patent [19]

[11] Patent Number: **Des. 367,957**

Lambert et al.

[45] Date of Patent: **\*\*Mar. 19, 1996**

[54] **JEWELRY GRINDING STONE CARRYING CASE**

2,444,294	6/1948	Jones .....	206/83
3,047,134	7/1962	Peck .....	206/38
3,049,227	8/1962	Reinemer .....	206/38
5,205,431	4/1993	Zinnbauer .....	206/581
5,220,999	6/1993	Goulette .....	206/508

[75] Inventors: **William F. Lambert; Charles C. Gilbert**, both of Colorado Springs, Colo.

*Primary Examiner*—Philip S. Hyder  
*Attorney, Agent, or Firm*—Phillip A. Rein

[73] Assignees: **Gary A. Smith; Sharee E. Smith**, both of Colorado Springs, Colo.

[57] **CLAIM**

[\*\*] Term: **14 Years**

The ornamental design for a jewelry grinding stone carrying case, as shown and described.

[21] Appl. No.: **23,599**

**DESCRIPTION**

[22] Filed: **May 27, 1994**

[52] U.S. Cl. .... **D3/273**

[58] Field of Search ..... D3/272, 273, 903, D3/905, 269; D16/236; D6/407; D14/120, 121; D7/508, 538, 540; 206/45.32, 45.34, 508, 581, 38, 83, 338, 339

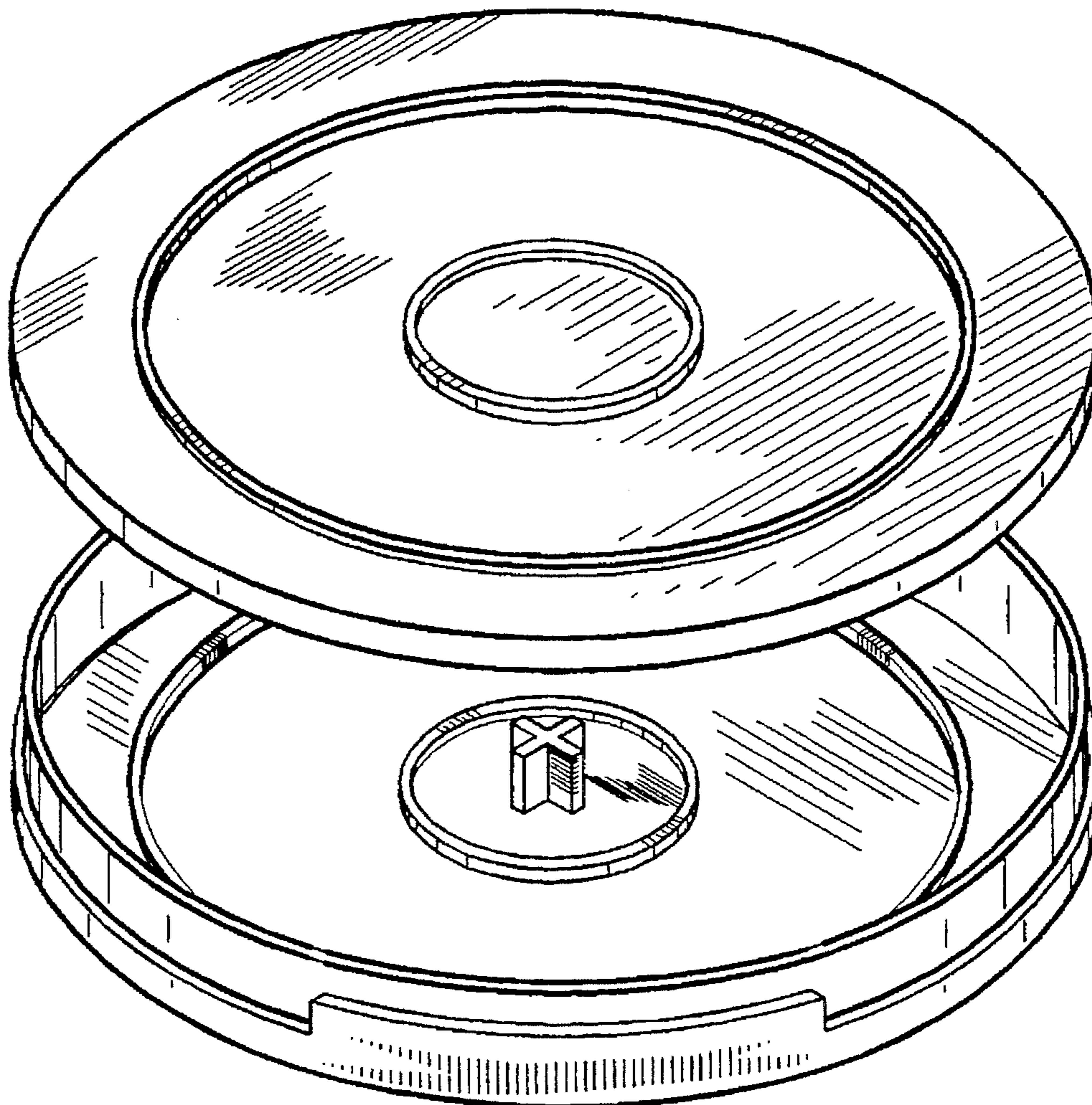
FIG. 1 is a perspective view of the jewelry grinding stone carrying case showing my new design; FIG. 2 is a top plan view thereof; FIG. 3 is a bottom plan view thereof; FIG. 4 is a front elevational view thereof; FIG. 5 is a rear elevational view thereof; FIG. 6 is a side elevational view thereof with the opposite side being a mirror image thereof; and, FIG. 7 is an exploded perspective view thereof.

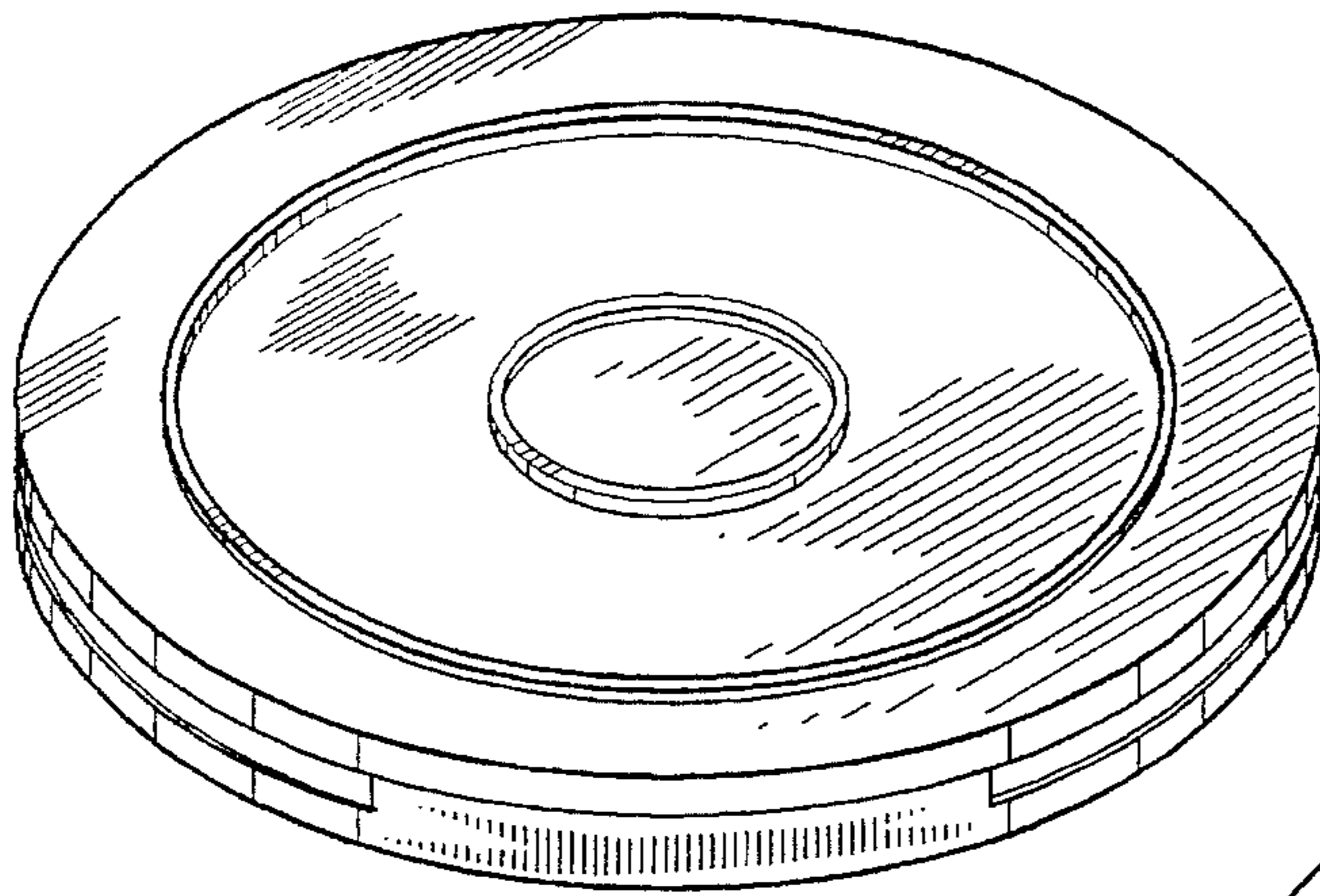
[56] **References Cited**

**U.S. PATENT DOCUMENTS**

D. 292,176 10/1987 Kuerti ..... D7/540

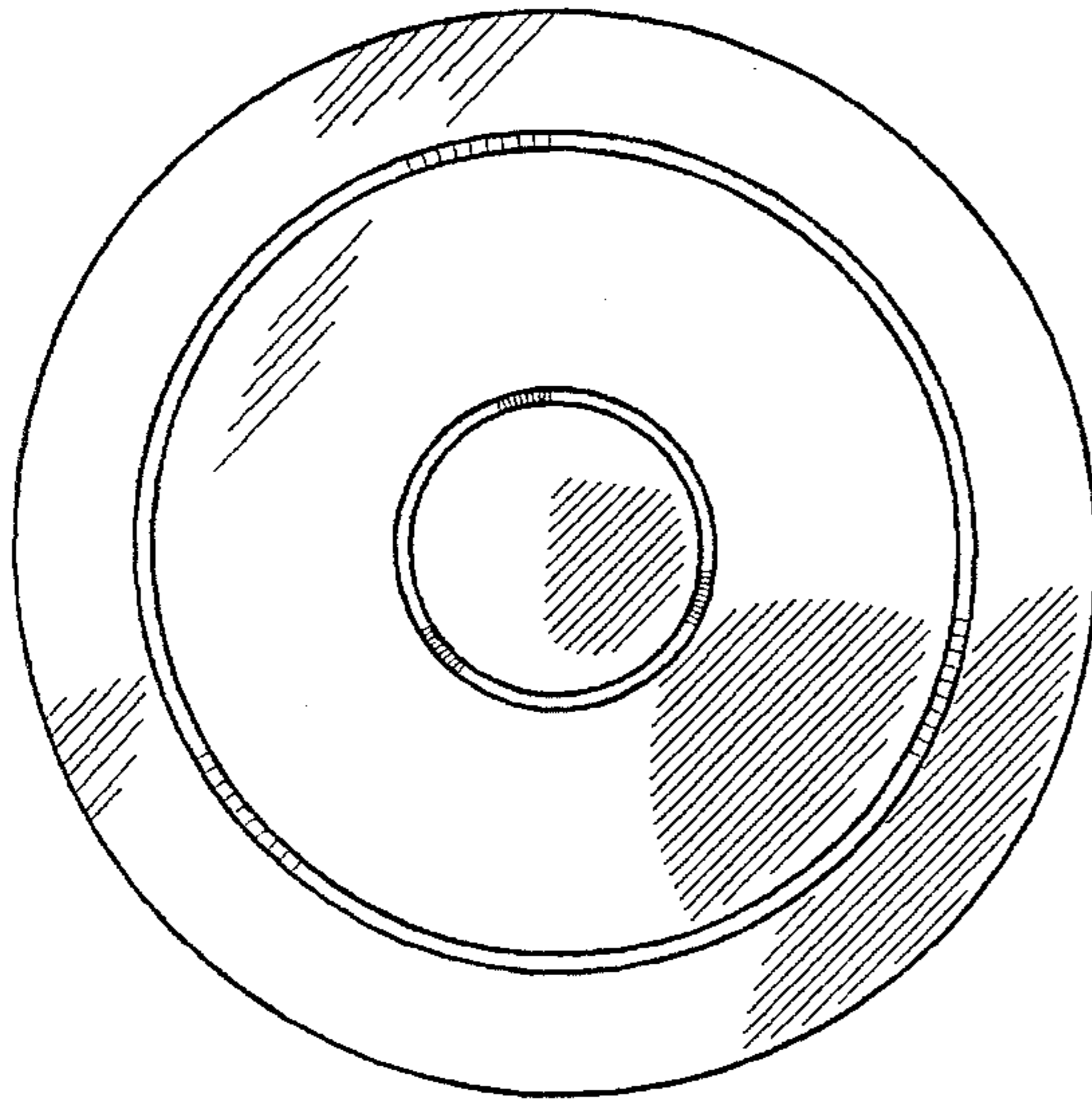
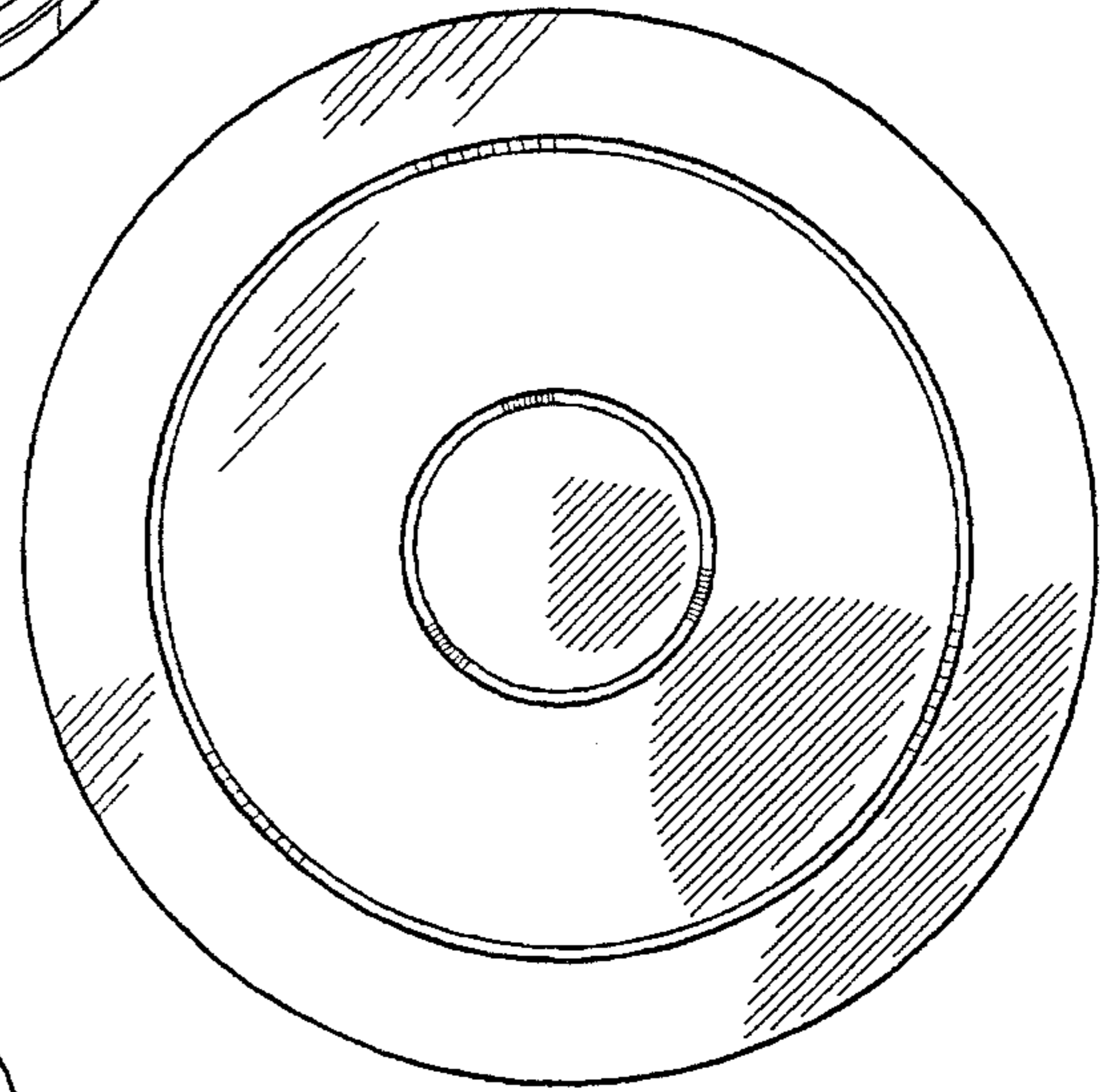
**1 Claim, 2 Drawing Sheets**



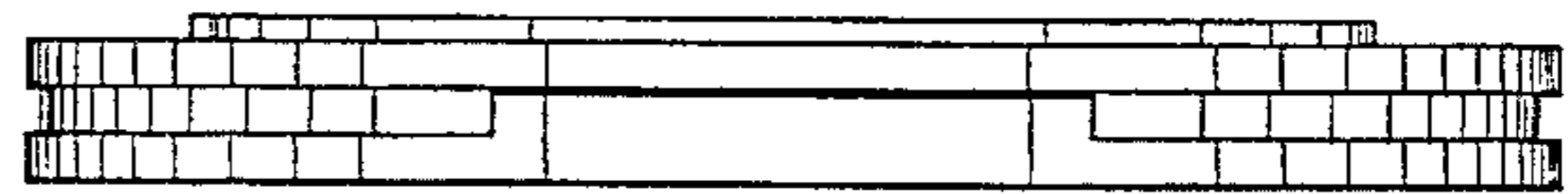


*Fig. 1*

*Fig. 2*



*Fig. 3*



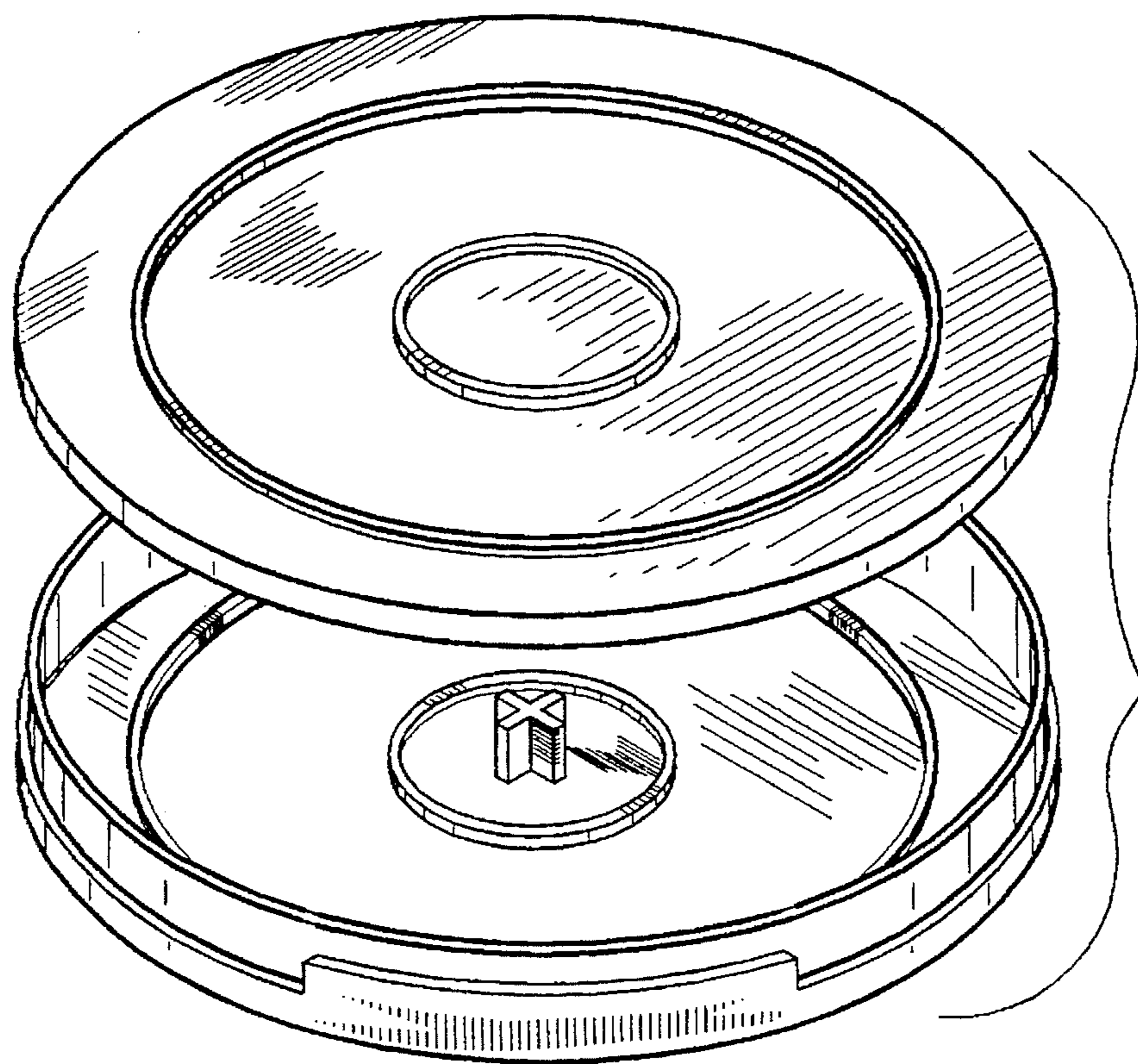
*Fig. 4*



*Fig. 5*

*Fig. 6*





*Fig. 7*