



US00D367955S

United States Patent [19] Peters

[11] Patent Number: **Des. 367,955**

[45] Date of Patent: ****Mar. 19, 1996**

[54] **POCKETBOOK**

[75] Inventor: **Jean Peters**, New York, N.Y.

[73] Assignee: **B. H. Smith, Inc.**, New York, N.Y.

[**] Term: **14 Years**

[21] Appl. No.: **32,631**

[22] Filed: **Dec. 22, 1994**

[52] U.S. Cl. **D3/233; D3/232**

[58] Field of Search 190/107, 109,
190/111, 112, 116; 150/100, 106, 107, 110,
112, 114, 116, 117, 132, 143, 145, 147;
D3/201, 218, 221, 224, 225, 226, 230,
232, 233, 243, 245-247, 249-252, 253,
273-276, 283-287, 289, 290, 301, 303,
318, 319, 323, 324, 326, 327; 206/38, 305,
320; 383/13, 35, 38, 40, 84, 86, 110; 224/205,
209, 224

[56] **References Cited**

U.S. PATENT DOCUMENTS

D. 318,951 8/1991 Stricklin D3/287
D. 338,334 8/1993 Kopel et al. D3/247 X
D. 345,254 3/1994 Bodden D3/246

D. 355,301 2/1995 Tumulty D3/289
1,607,007 11/1926 Leviten et al. 150/106 X
3,117,607 1/1964 Siegel 383/110 X

Primary Examiner—Louis S. Zarfes
Assistant Examiner—Monica A. Hannon
Attorney, Agent, or Firm—Collard & Roe

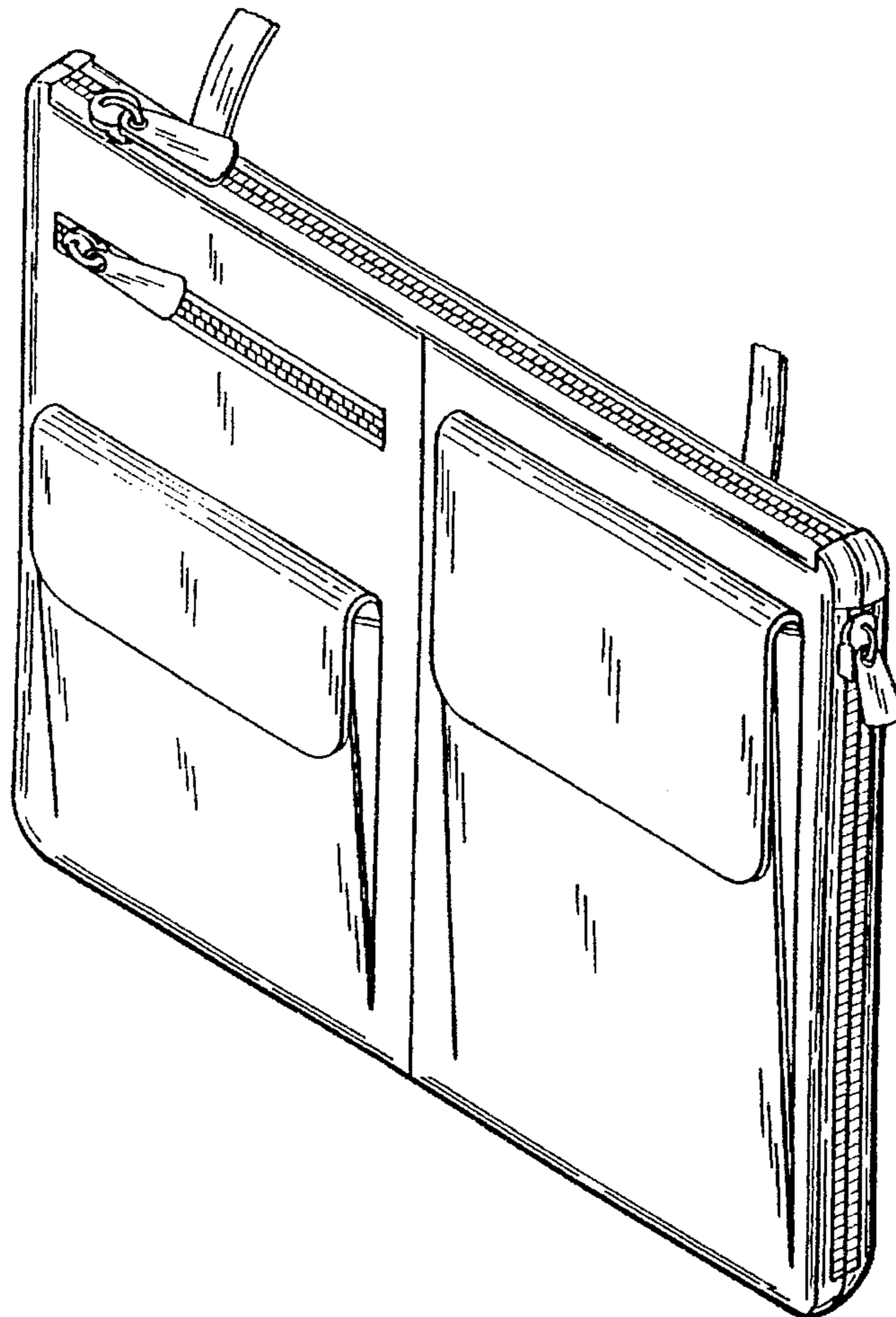
[57] **CLAIM**

The ornamental design for a pocketbook, as shown and described.

DESCRIPTION

FIG. 1 is a front, top, right side perspective view of the pocketbook, according to the invention;
FIG. 2 is a front, top left side perspective view of the pocketbook with the front pockets open;
FIG. 3 is a rear, top, right side perspective view of the pocketbook, with the rear flap open;
FIG. 4 is a front view thereof;
FIG. 5 is a top plan view thereof;
FIG. 6 is a bottom view thereof;
FIG. 7 is a rear view thereof;
FIG. 8 is the left side view thereof; and,
FIG. 9 is the right side view thereof.

1 Claim, 5 Drawing Sheets



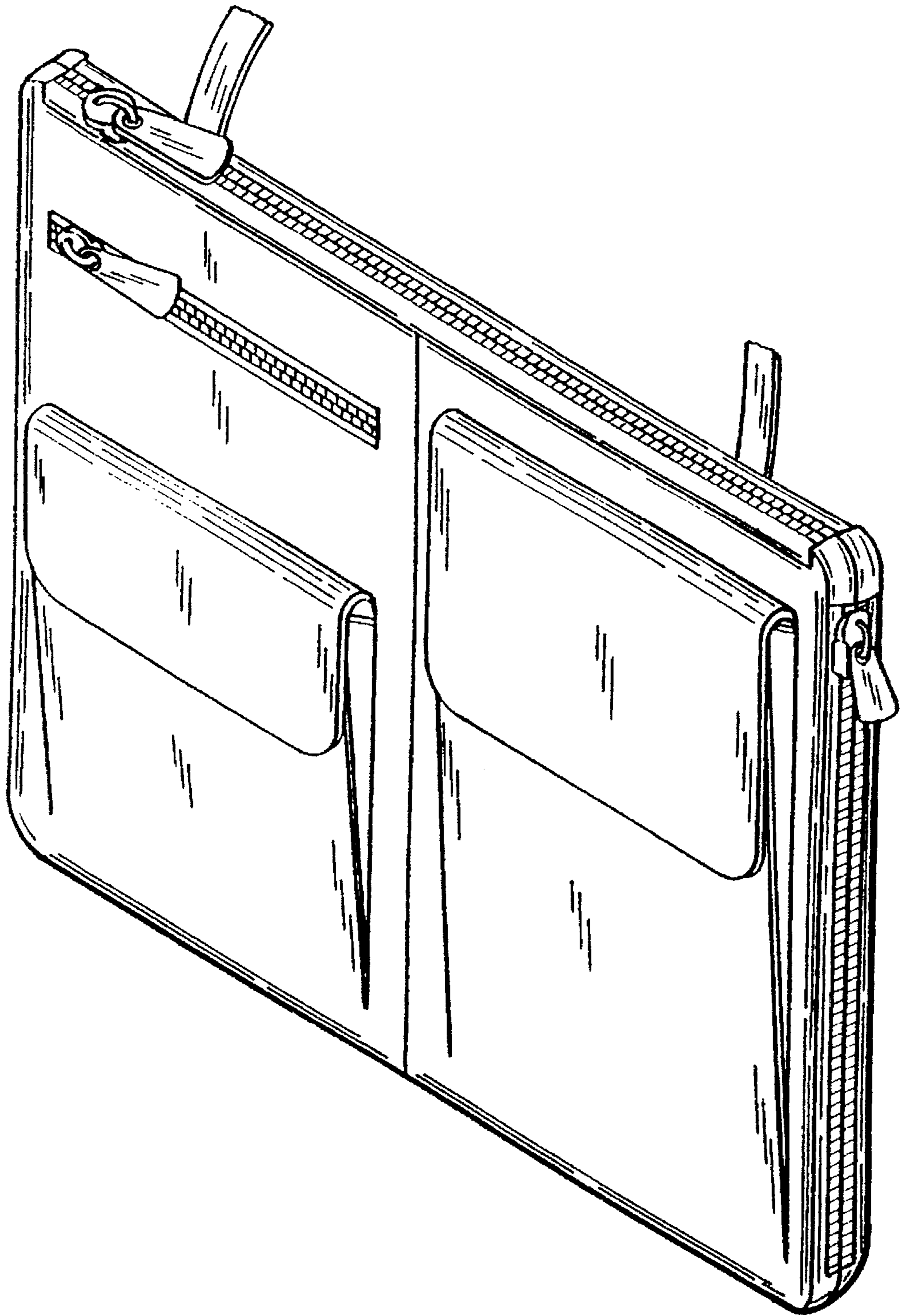


FIG. 1

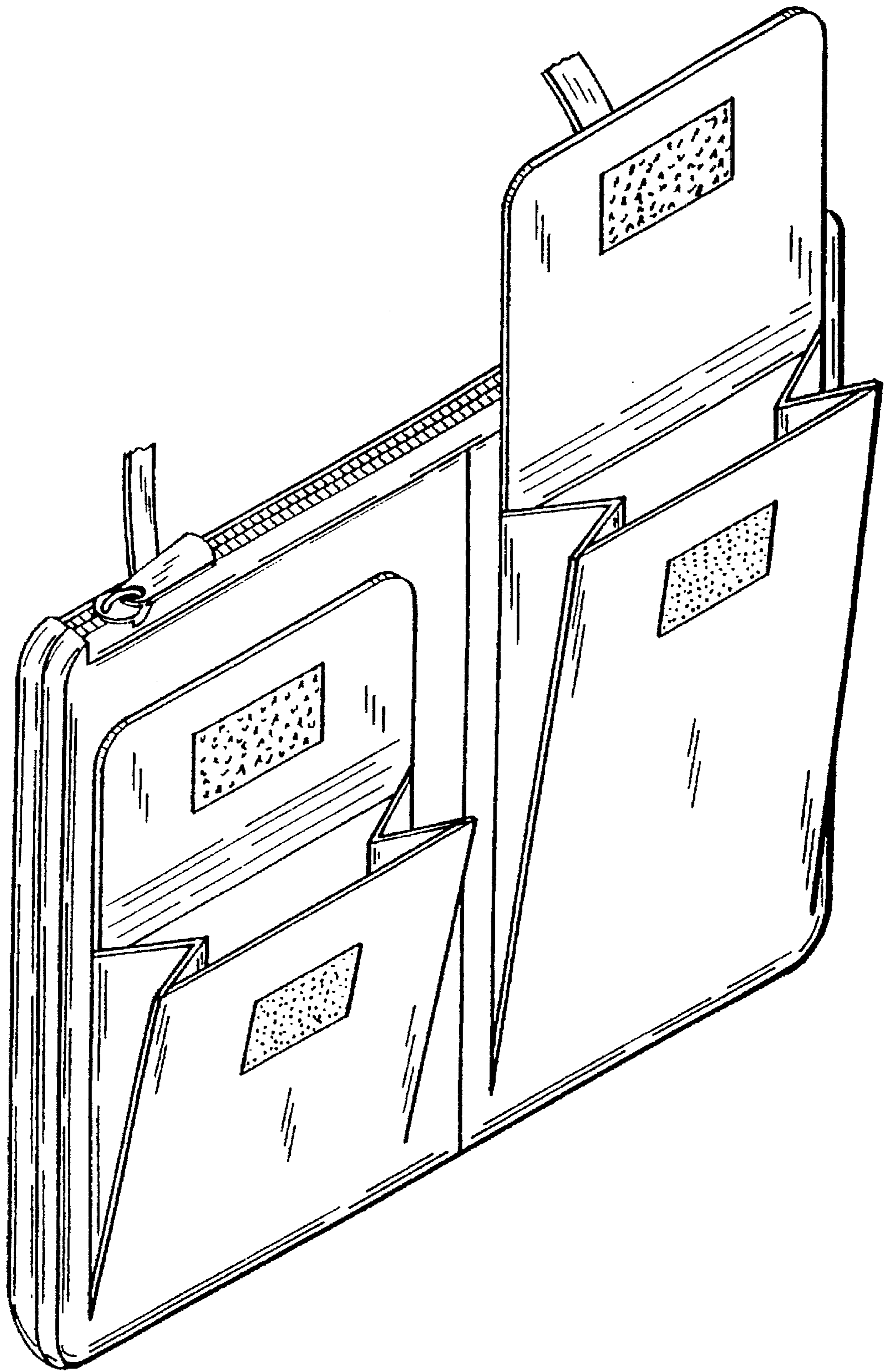


FIG.2

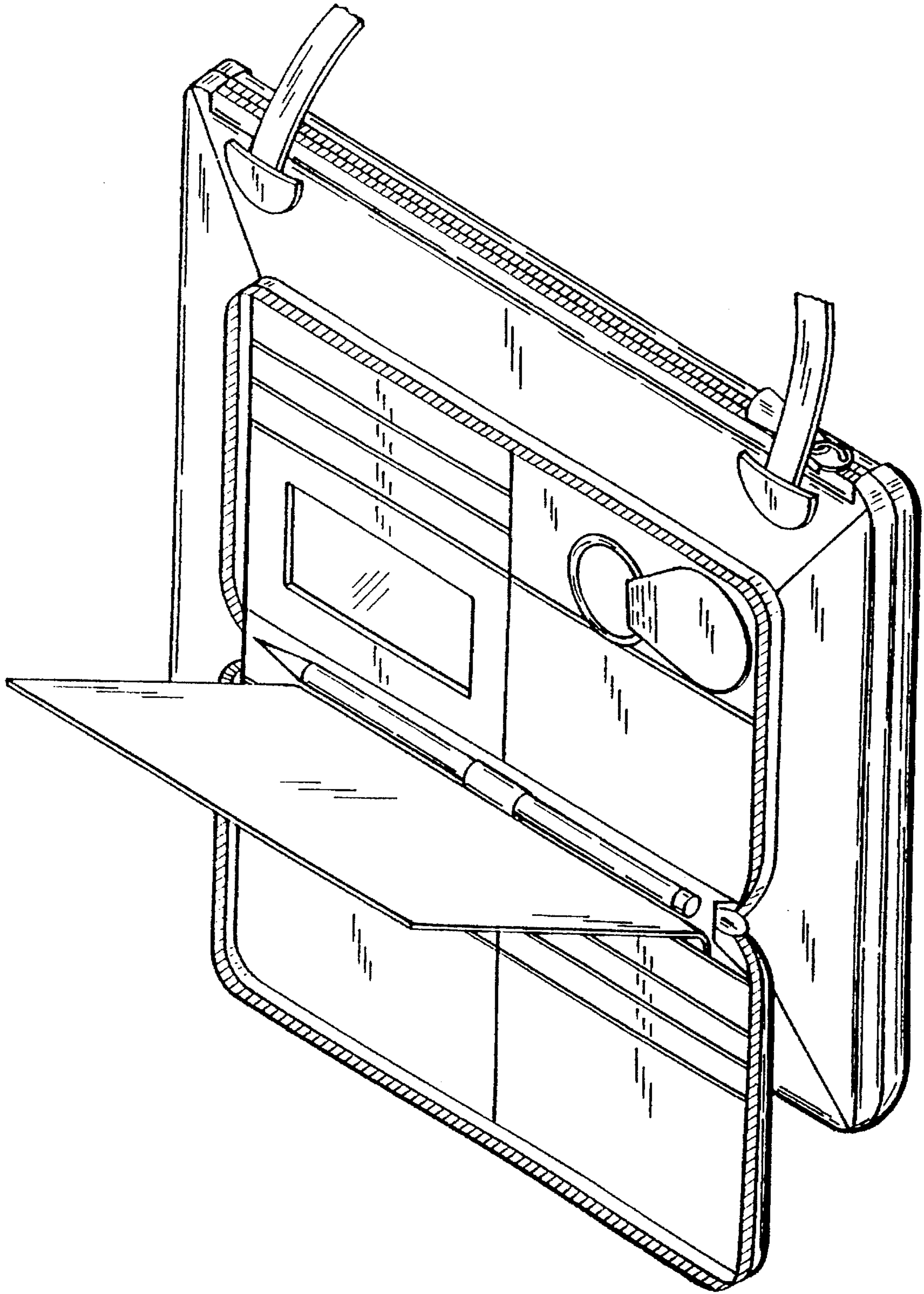


FIG.3

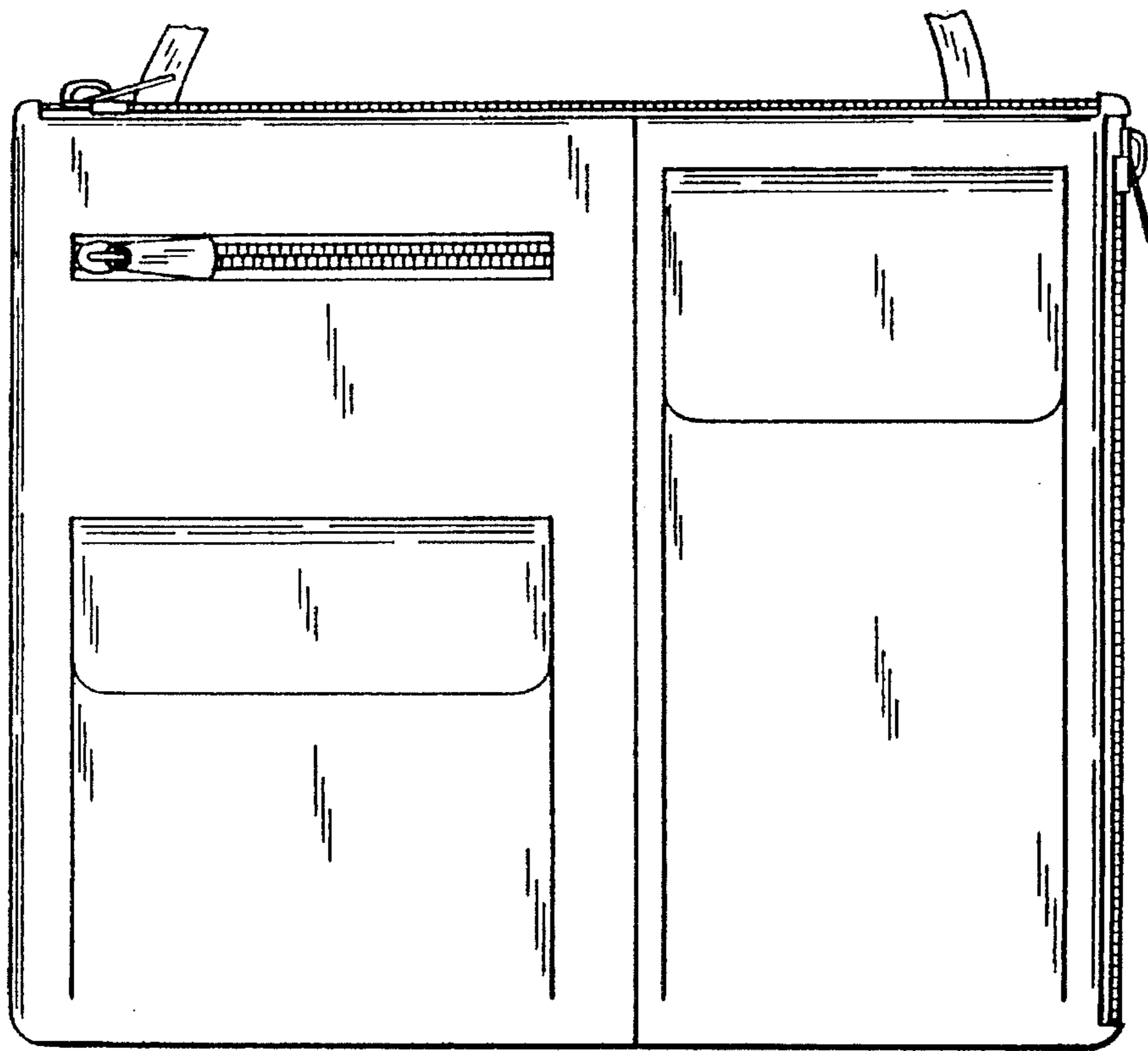


FIG. 4

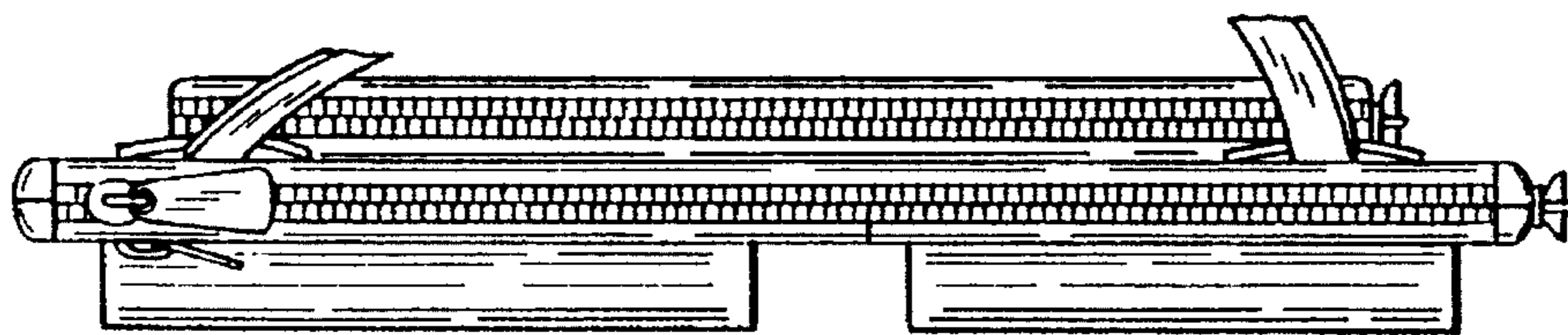


FIG. 5

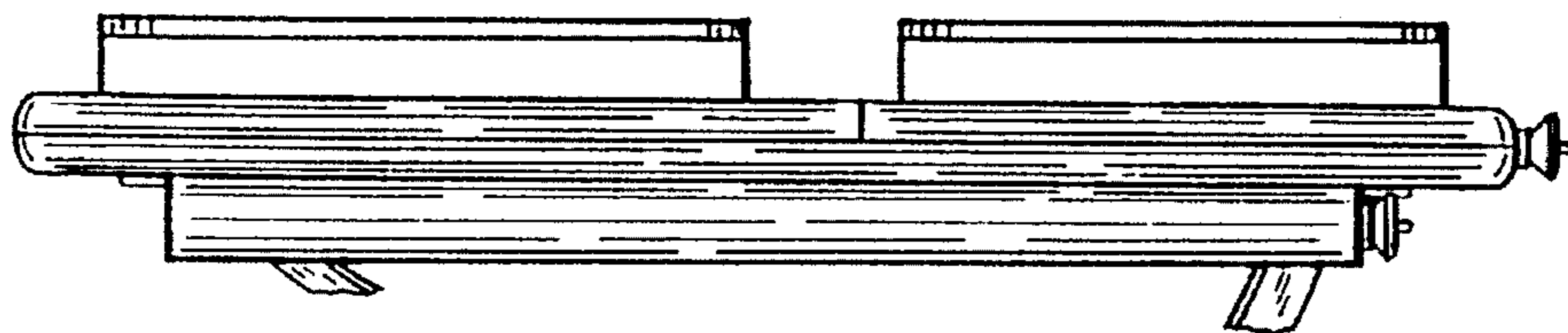


FIG. 6

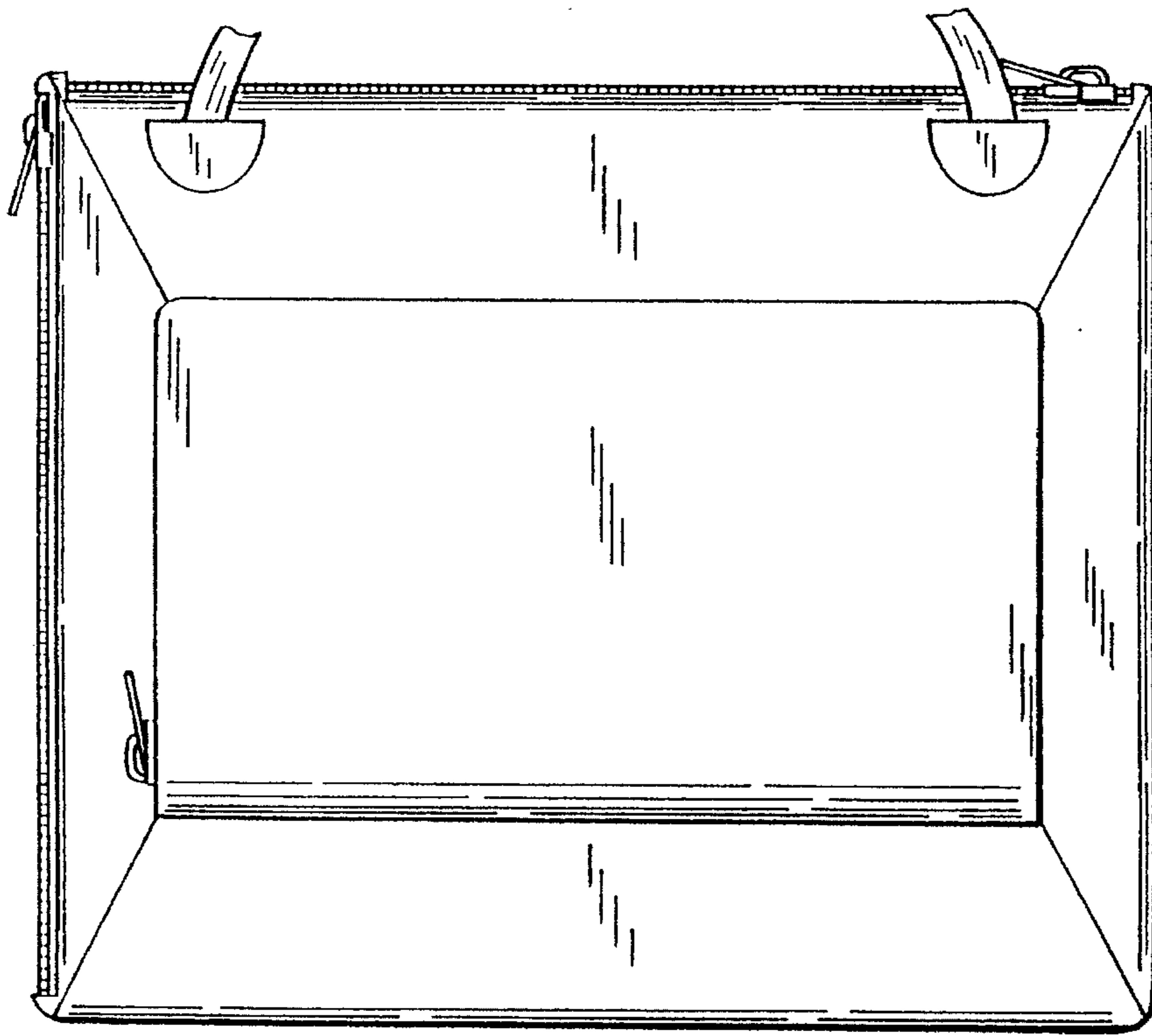


FIG. 7

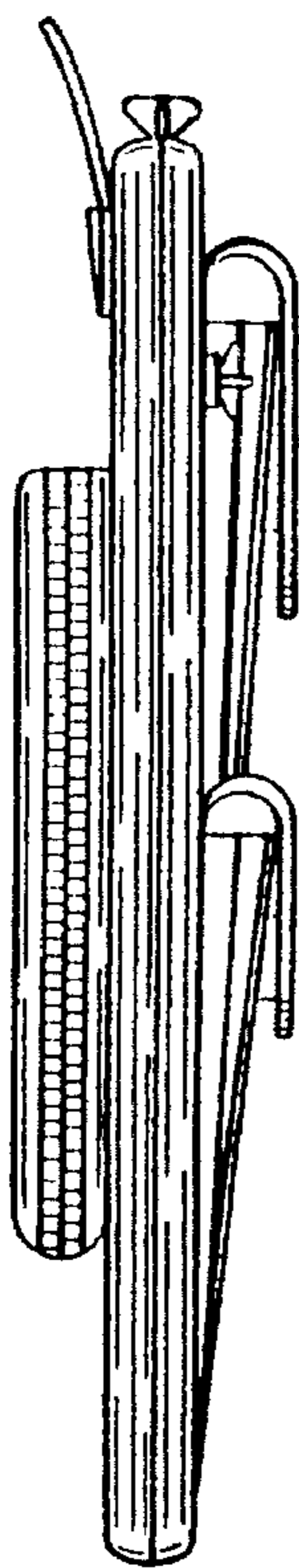


FIG. 8

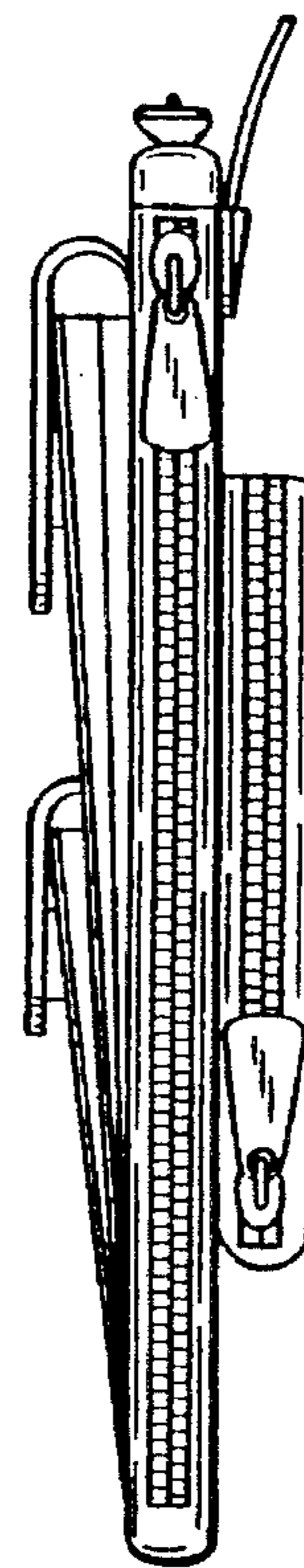


FIG. 9