



US00D367941S

# United States Patent [19]

[11] Patent Number: **Des. 367,941**

**Dolan**

[45] Date of Patent: **\*\*Mar. 12, 1996**

[54] **GLASS HOLDER FOR LIGHTING FIXTURE**

[76] Inventor: **Patrick S. Dolan**, 1901 NW. Upshur St., Portland, Oreg. 97209

[\*\*] Term: **14 Years**

[21] Appl. No.: **32,556**

[22] Filed: **Dec. 21, 1994**

[52] U.S. Cl. .... **D26/149**

[58] Field of Search ..... D26/138, 142, D26/146-153, 72, 80-92; 362/147, 404-408

Model #E455, Catalog as of 1994, p. 104 American De-Rosa Lamparts, Inc. 1400 Calzona St. L.A., Calif. 90023

Model #E2915, Catalog as of 1994, p. 105 American De-Rosa Lamparts, Inc. 1400 Calzona St. L.A., Calif. 90023.

*Primary Examiner*—Susan J. Lucas

## [57] CLAIM

The ornamental design for a glass holder for lighting fixture, as shown.

## [56] References Cited

### U.S. PATENT DOCUMENTS

D. 328,365 7/1992 Dordick ..... D26/149

### OTHER PUBLICATIONS

Home Lighting & Accessories, Dec. 1993, p. 213, Glass Holder.

Progress Lighting Catalog, ©1990, p. 47, Shade holder.

## DESCRIPTION

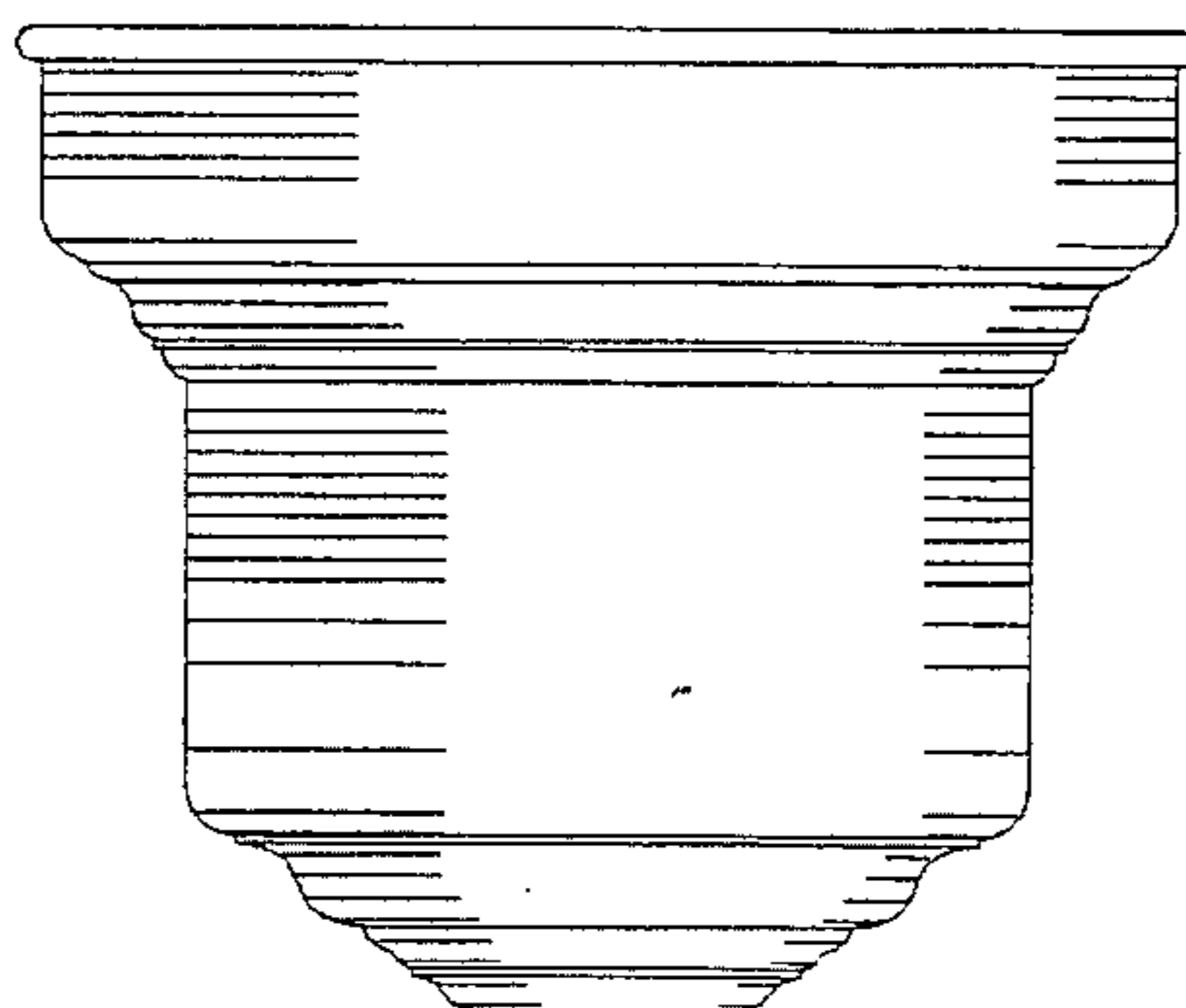
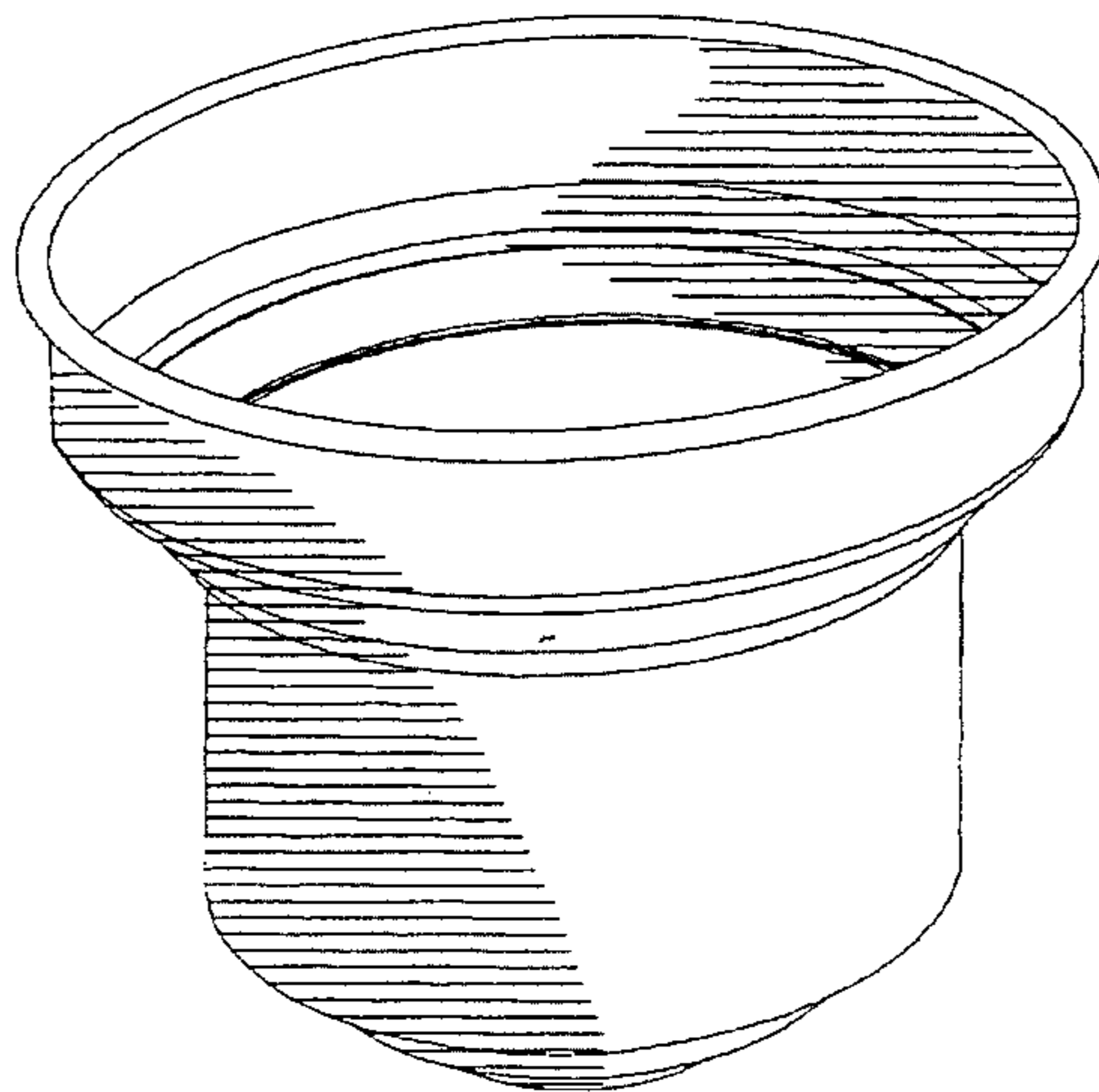
FIG. 1 is a side perspective view thereof;

FIG. 2 is a side view in elevation thereof;

FIG. 3 is a top plan view thereof; and,

FIG. 4 is a bottom plan view thereof.

**1 Claim, 4 Drawing Sheets**



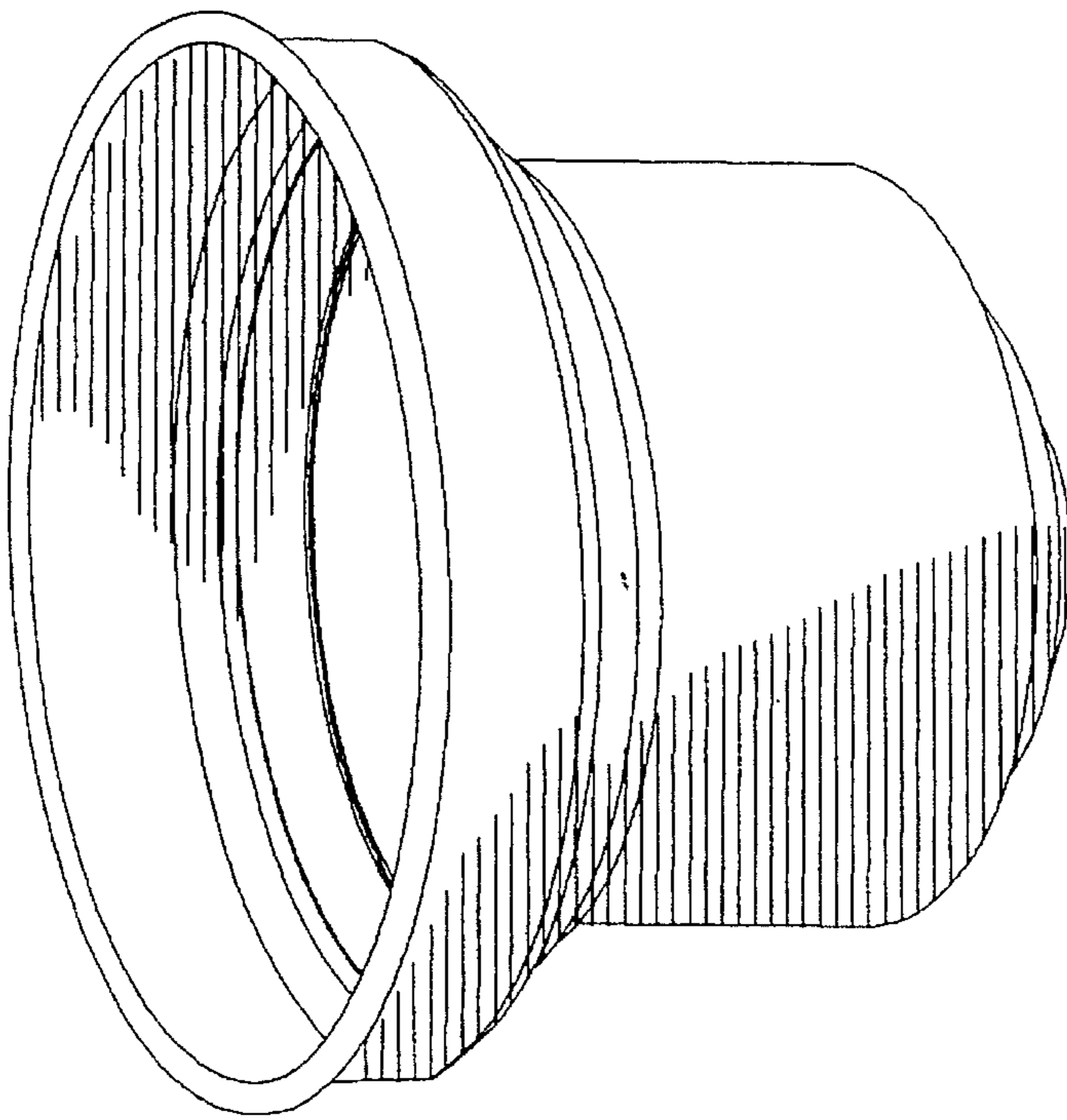


fig. 1

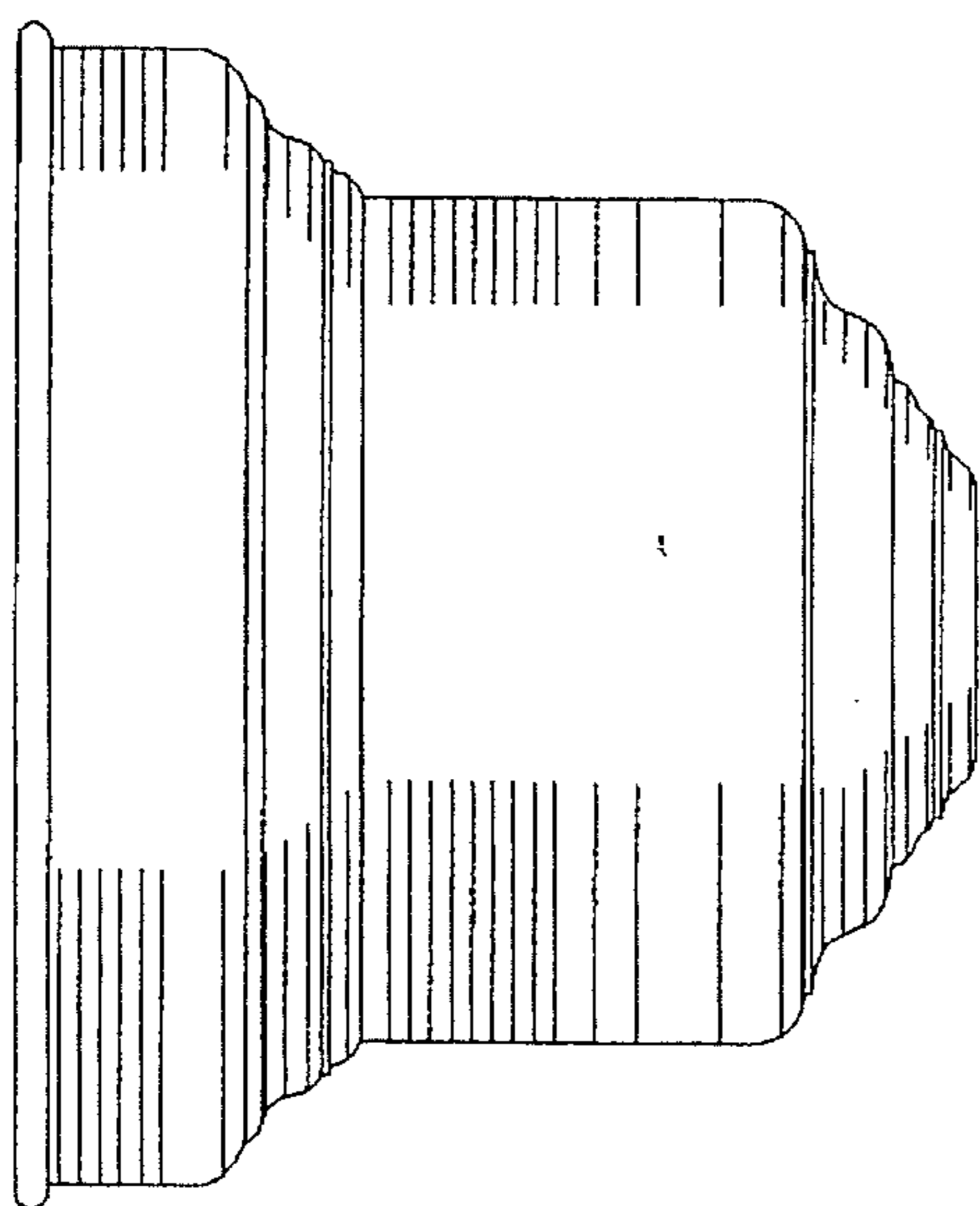


fig. 2

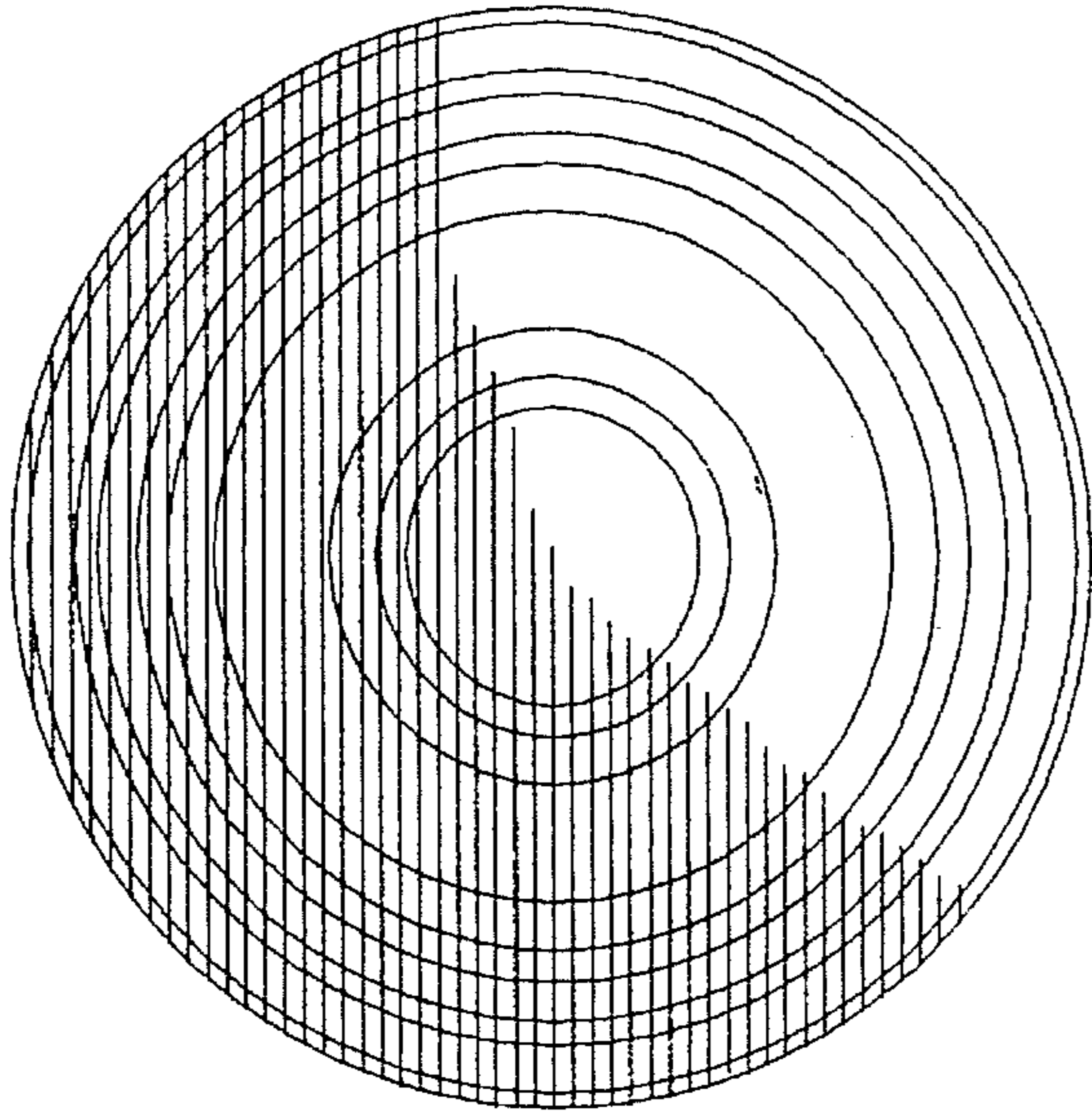


fig. 3

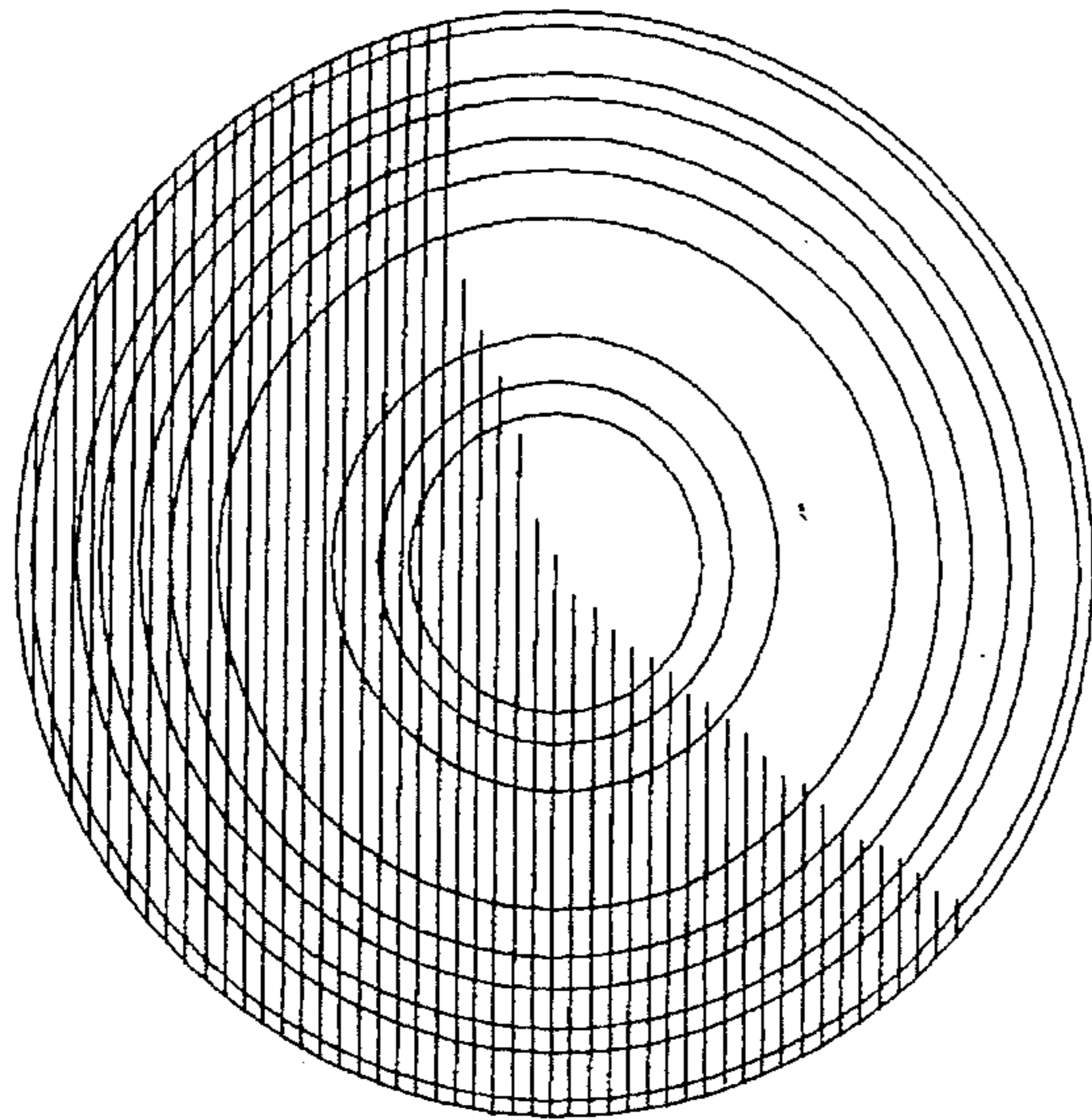


fig. 4