



US00D367939S

United States Patent [19]

[11] Patent Number: **Des. 367,939**

Dolan

[45] Date of Patent: ****Mar. 12, 1996**

[54] **GLASS HOLDER FOR LIGHTING FIXTURE**

OTHER PUBLICATIONS

[76] Inventor: **Patrick S. Dolan**, 1901 NW. Upshur St., Portland, Oreg. 97209

Model #E3044, Catalog as of 1994, p. 105 American De-Rosa Lamparts, Inc. 1400 Calzona St. L.A., Calif. 90023.

[**] Term: **14 Years**

Home Lighting & Accessories, Dec. 1993, p. 213, glass holder.

[21] Appl. No.: **32,492**

Primary Examiner—Susan J. Lucas

[22] Filed: **Dec. 19, 1994**

[57] **CLAIM**

[52] U.S. Cl. **D26/149**

The ornamental design for a glass holder for lighting fixture, as shown.

[58] Field of Search D26/138, 142, D26/146-153, 72, 80-92; 362/147, 404-408

[56] **References Cited**

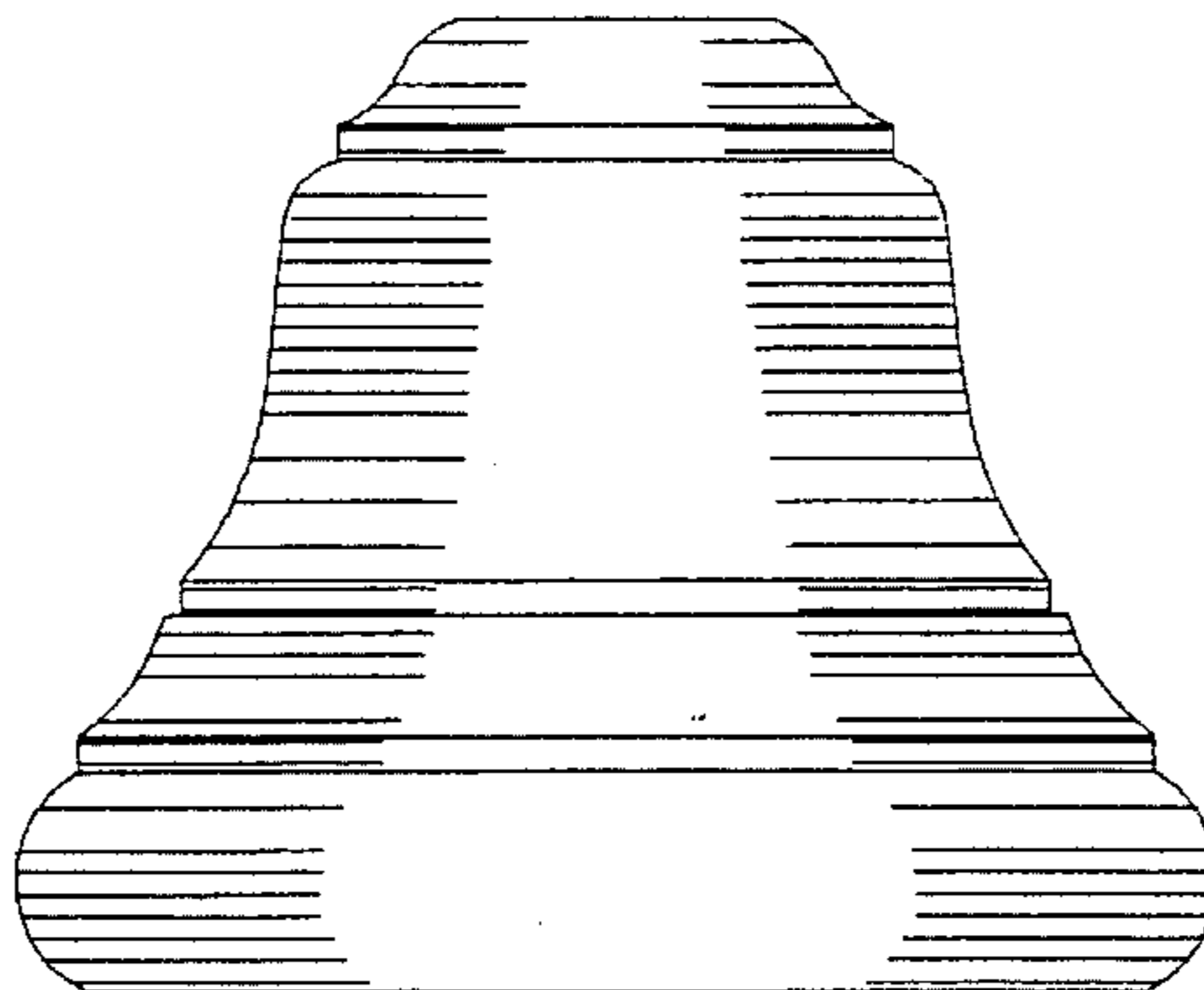
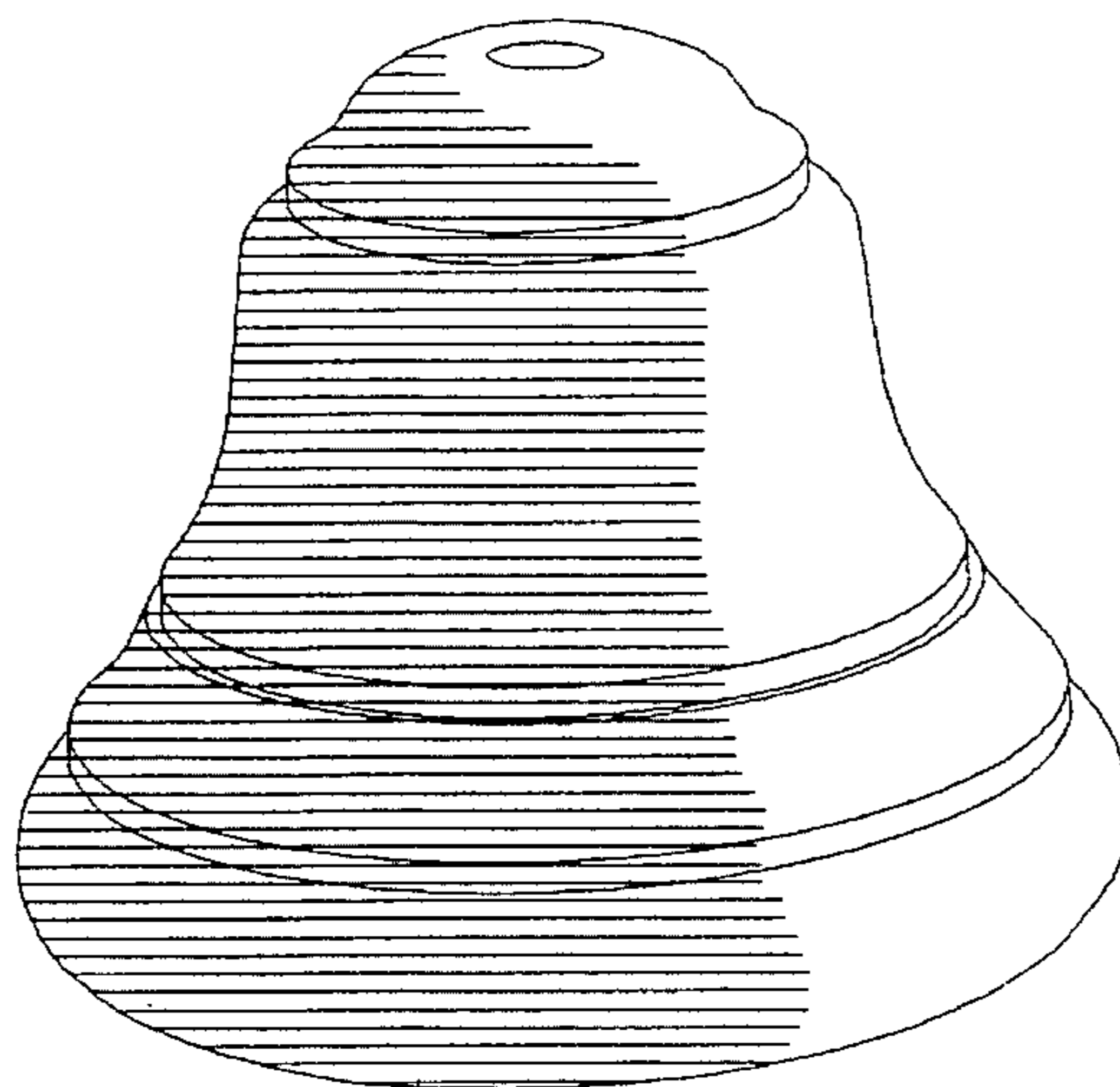
DESCRIPTION

U.S. PATENT DOCUMENTS

FIG. 1 is a side perspective view thereof;
FIG. 2 is a side view in elevation thereof;
FIG. 3 is a top plan view thereof; and,
FIG. 4 is a bottom plan view thereof.

D. 63,176	10/1923	Howell	D26/149
D. 328,365	7/1992	Dordick	D26/149
D. 357,994	5/1995	Dolan	D26/81

1 Claim, 4 Drawing Sheets



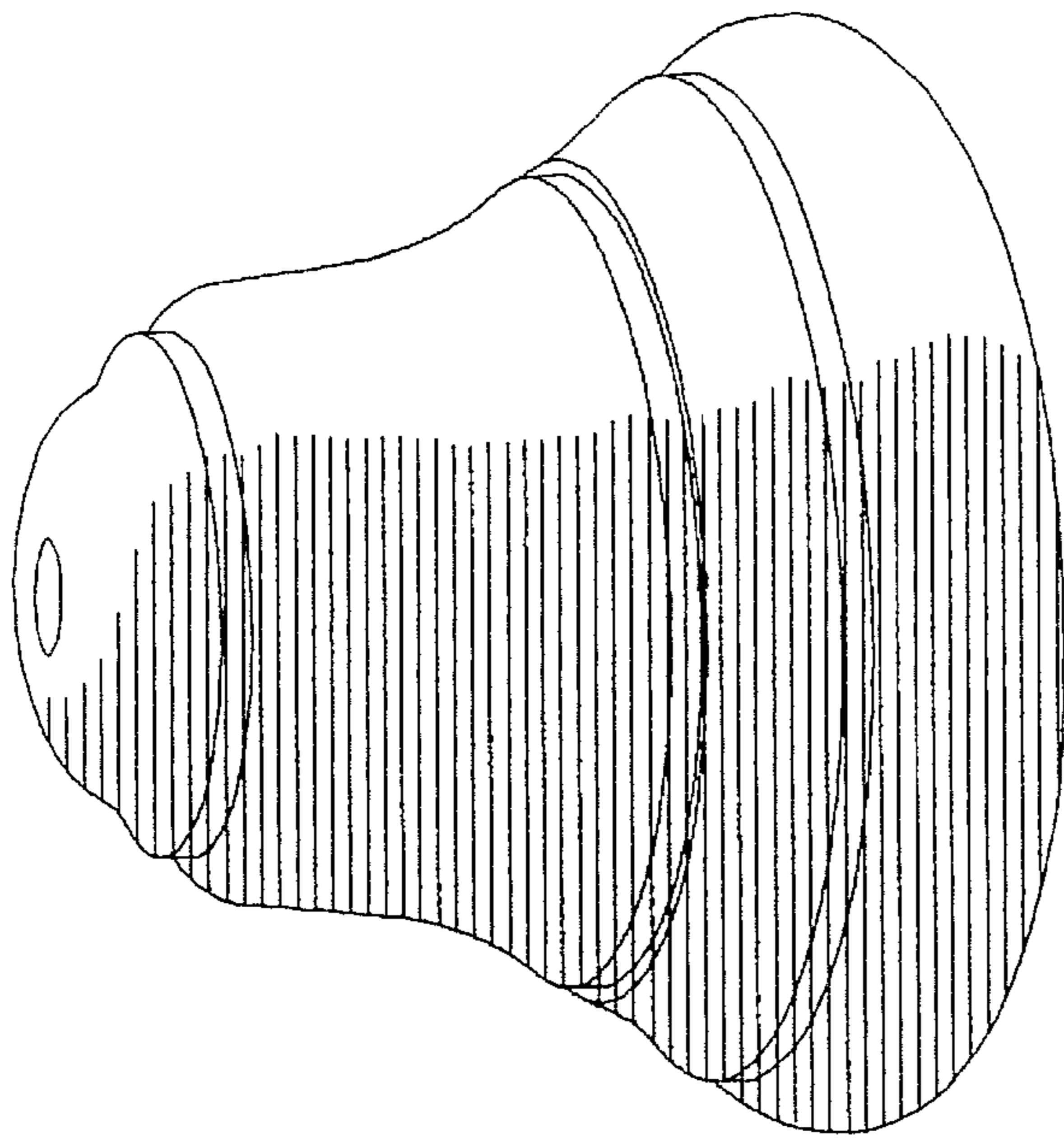


fig. 1

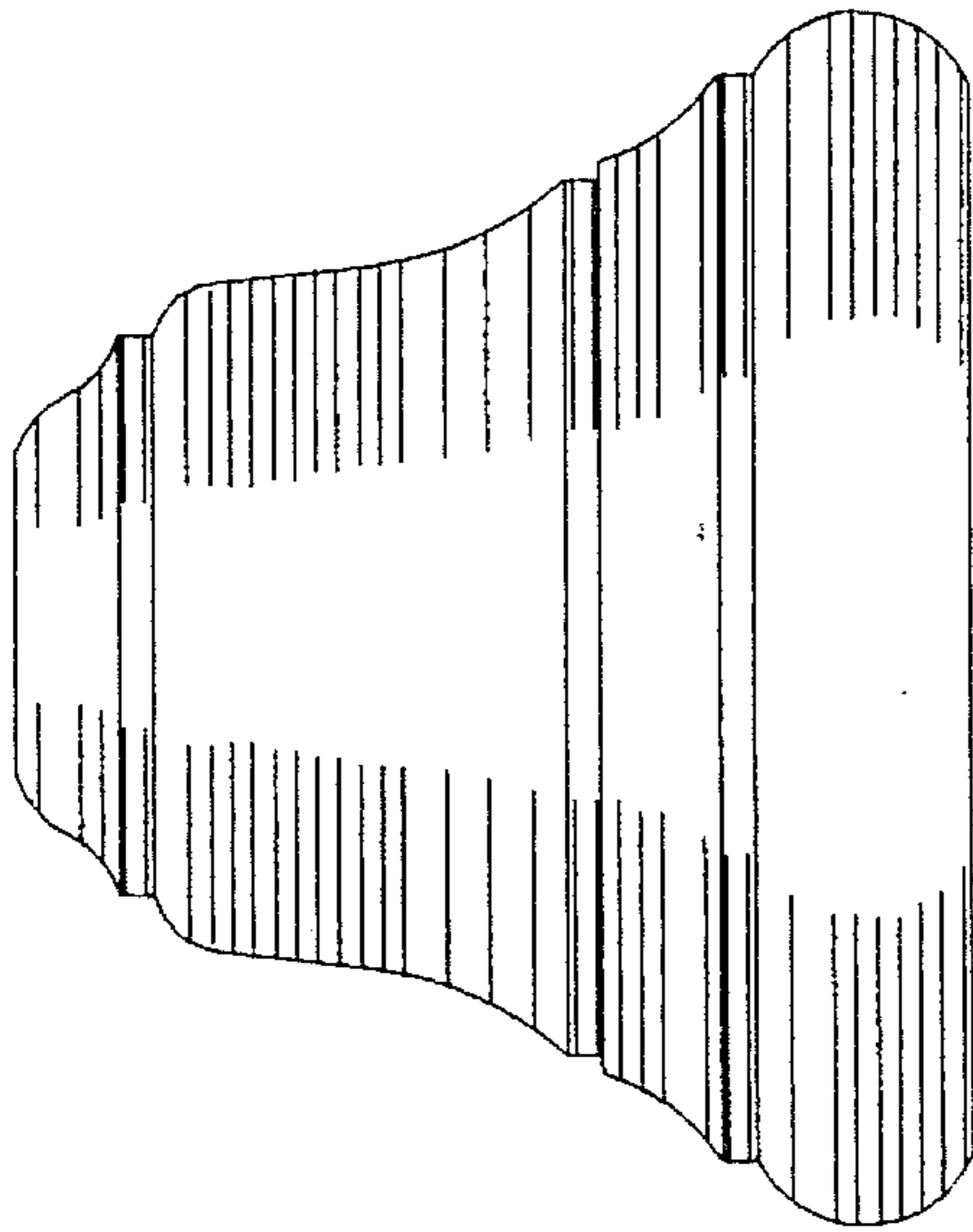


fig. 2

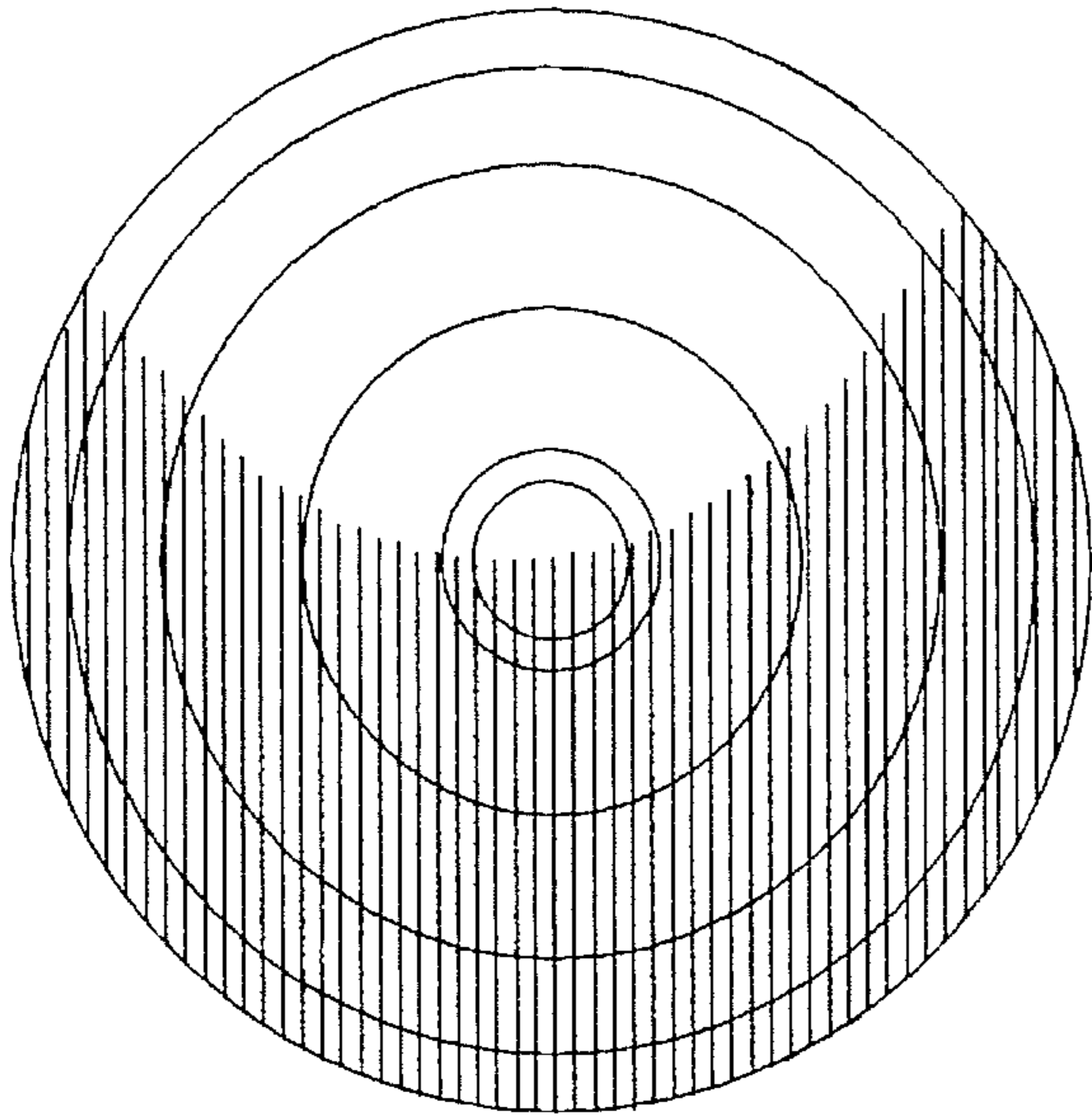


fig. 3

