



US00D367937S

United States Patent [19]

[11] Patent Number: **Des. 367,937**

Dolan

[45] Date of Patent: ****Mar. 12, 1996**

[54] **PENDANT LIGHTING FIXTURE**

[76] Inventor: **Patrick S. Dolan**, 1901 NW. Upshur St., Portland, Oreg. 97209

[**] Term: **14 Years**

[21] Appl. No.: **32,497**

[22] Filed: **Dec. 19, 1994**

[52] U.S. Cl. **D26/88**

[58] Field of Search D26/138, 142, D26/146, 147, 148, 149, 150, 151, 152, 153, 72, 80-92; 362/404-408, 147, 341, 343, 346, 347, 348, 349, 350, 351, 352, 353, 355

[56] **References Cited**

PUBLICATIONS

Model #2245-26, Catalog #41, p. 17 L&S Lighting Fixture Co. 13113 S. Figueroa St. L.A. CA 90061.

Model #1894-H, Catalog #192, p. 62 Tri-Lite Mfg. Co. 19780 Pacific Gateway Dr. Torrance, CA 90502.

Model #2016, Catalog 1986, p. 48 Scott Lamp Co., Inc. 1960 Olivera Rd. Concord, CA 94520.

Progress Lighting Catalog, ©1988, p. 70, Suspended Lamp #P5103 (Gr. 2900—Ceiling Lamp Box).

Progress Lighting Catalog, ©1990, p. 73, Pendant Lamp #P5112 (Gr. 2900—Ceiling Lamp Box).

Primary Examiner—Susan J. Lucas

[57] **CLAIM**

The ornamental design for a pendant lighting fixture, as shown and described.

DESCRIPTION

FIG. 1 is a side perspective view thereof;

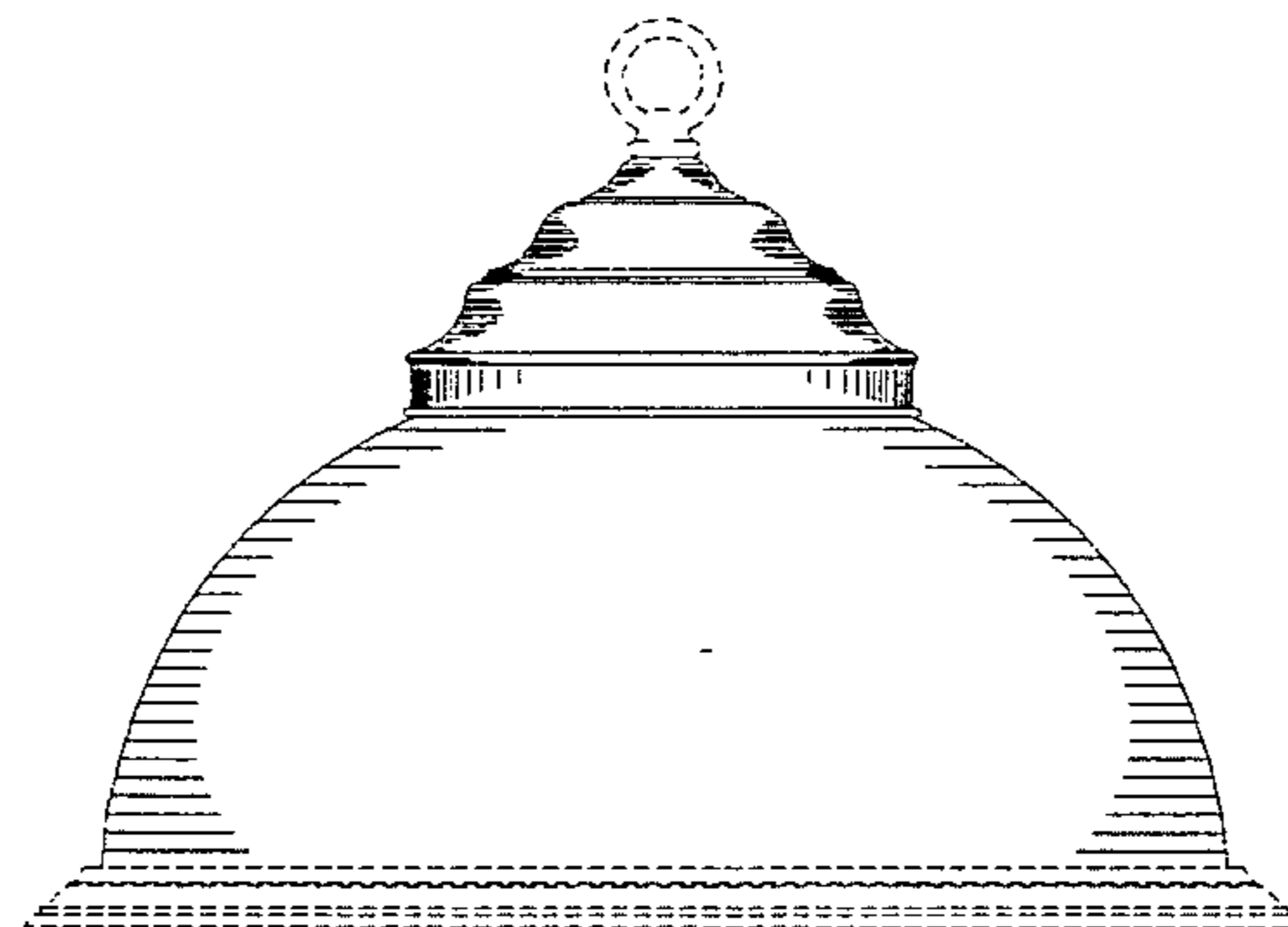
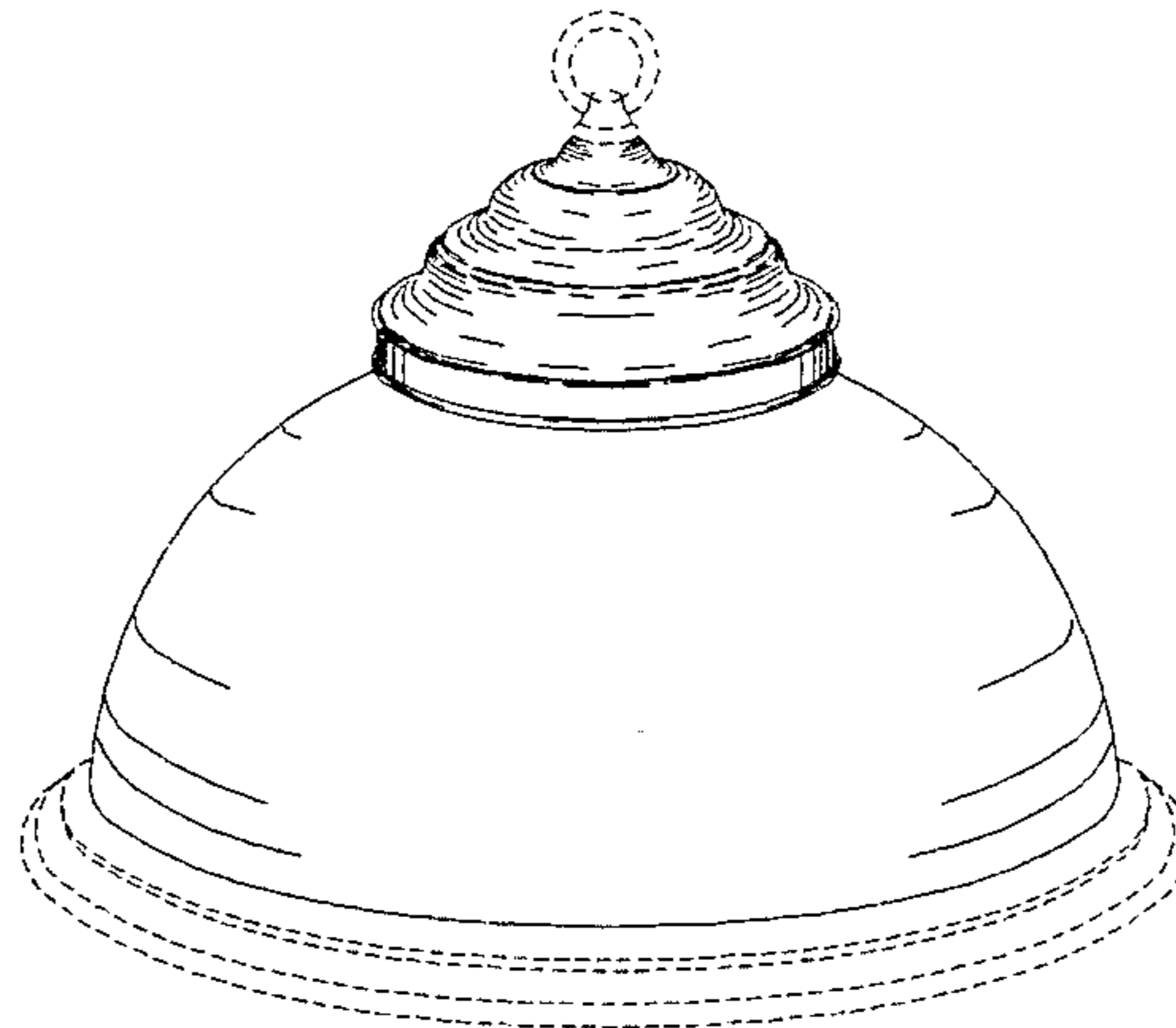
FIG. 2 is a side view in elevation thereof;

FIG. 3 is a top plan view thereof; and,

FIG. 4 is a bottom plan view thereof.

The broken lines shown in the drawings are environmental only and form no part of the claimed design.

1 Claim, 4 Drawing Sheets



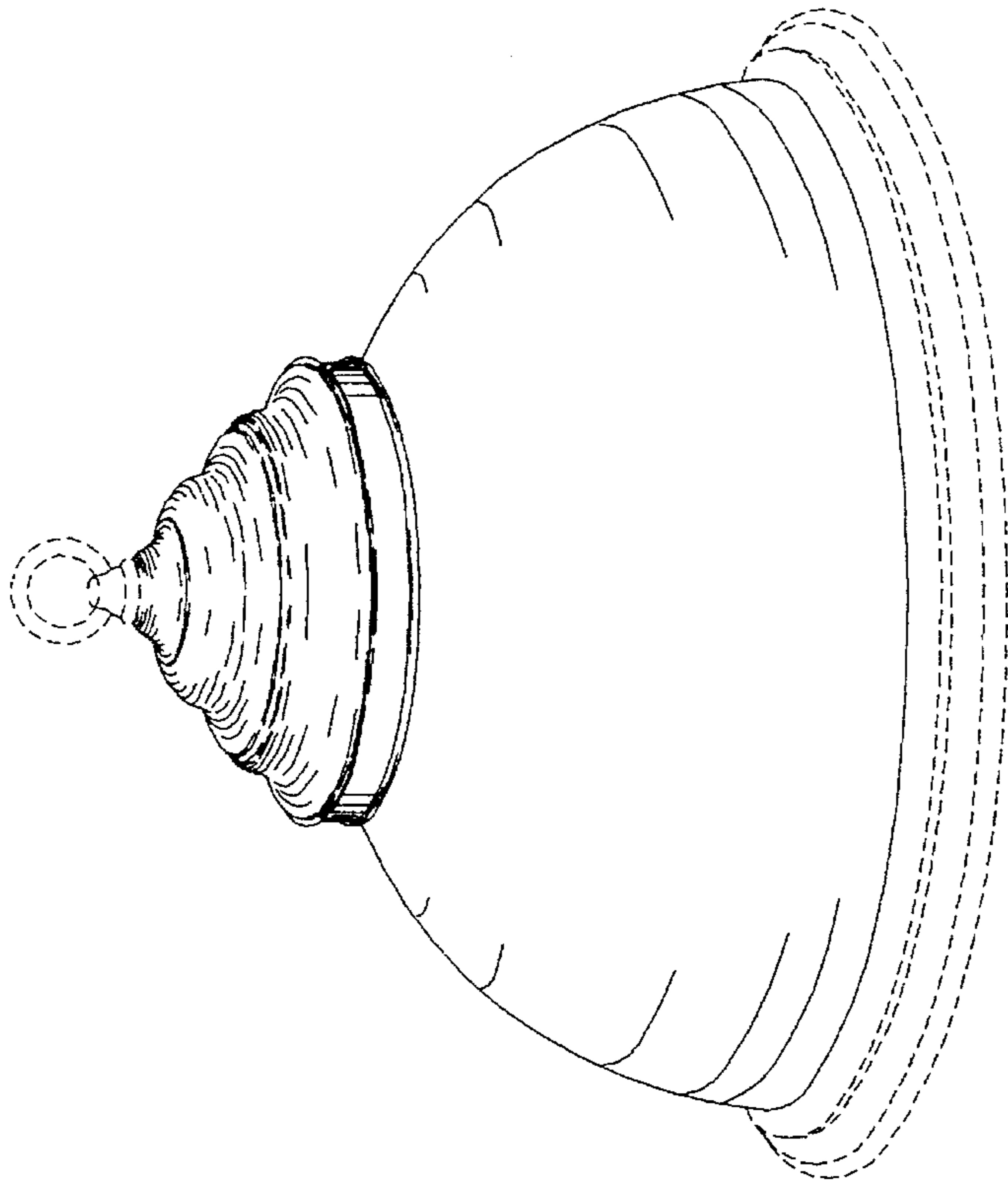


fig. 1

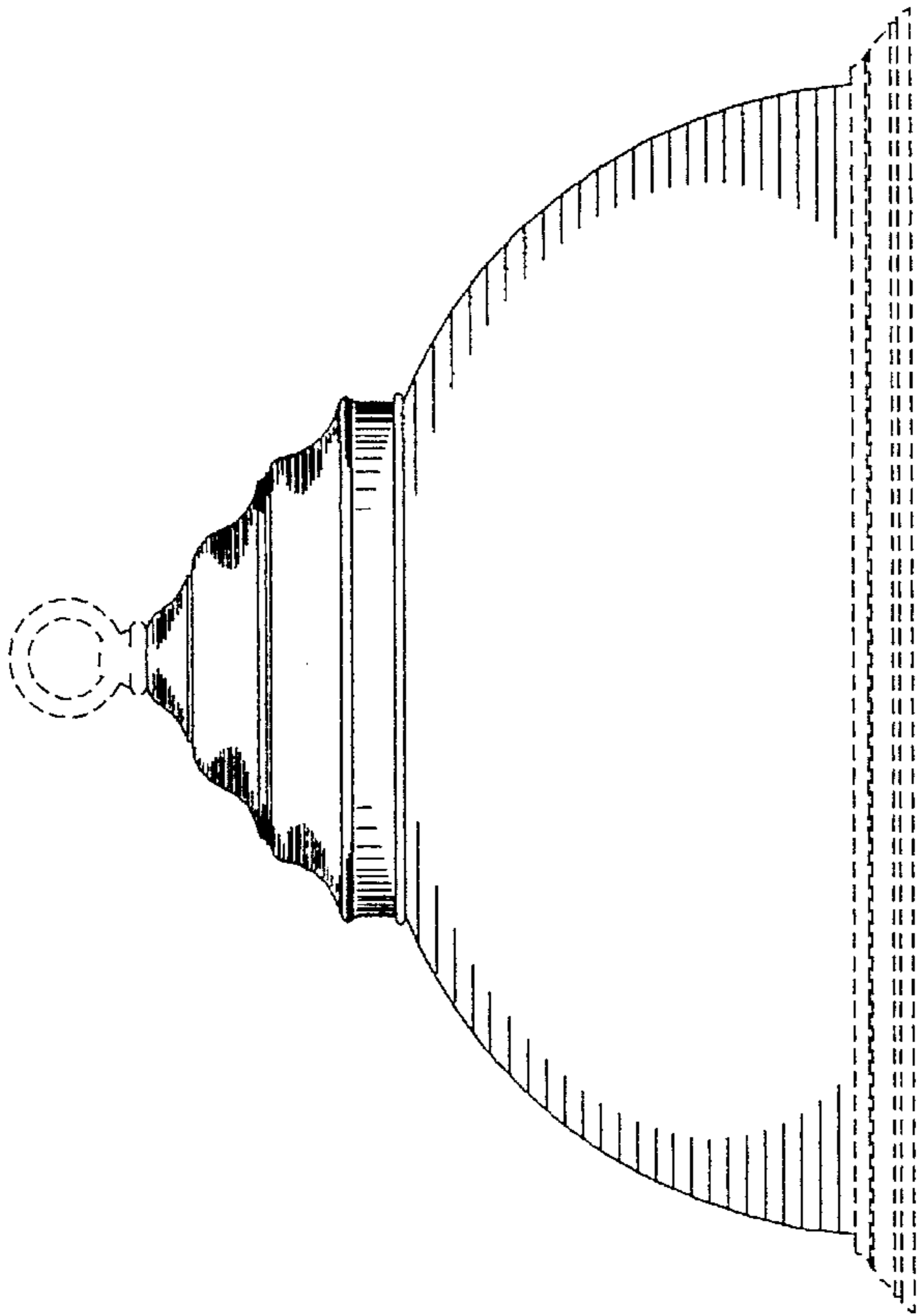


fig. 2

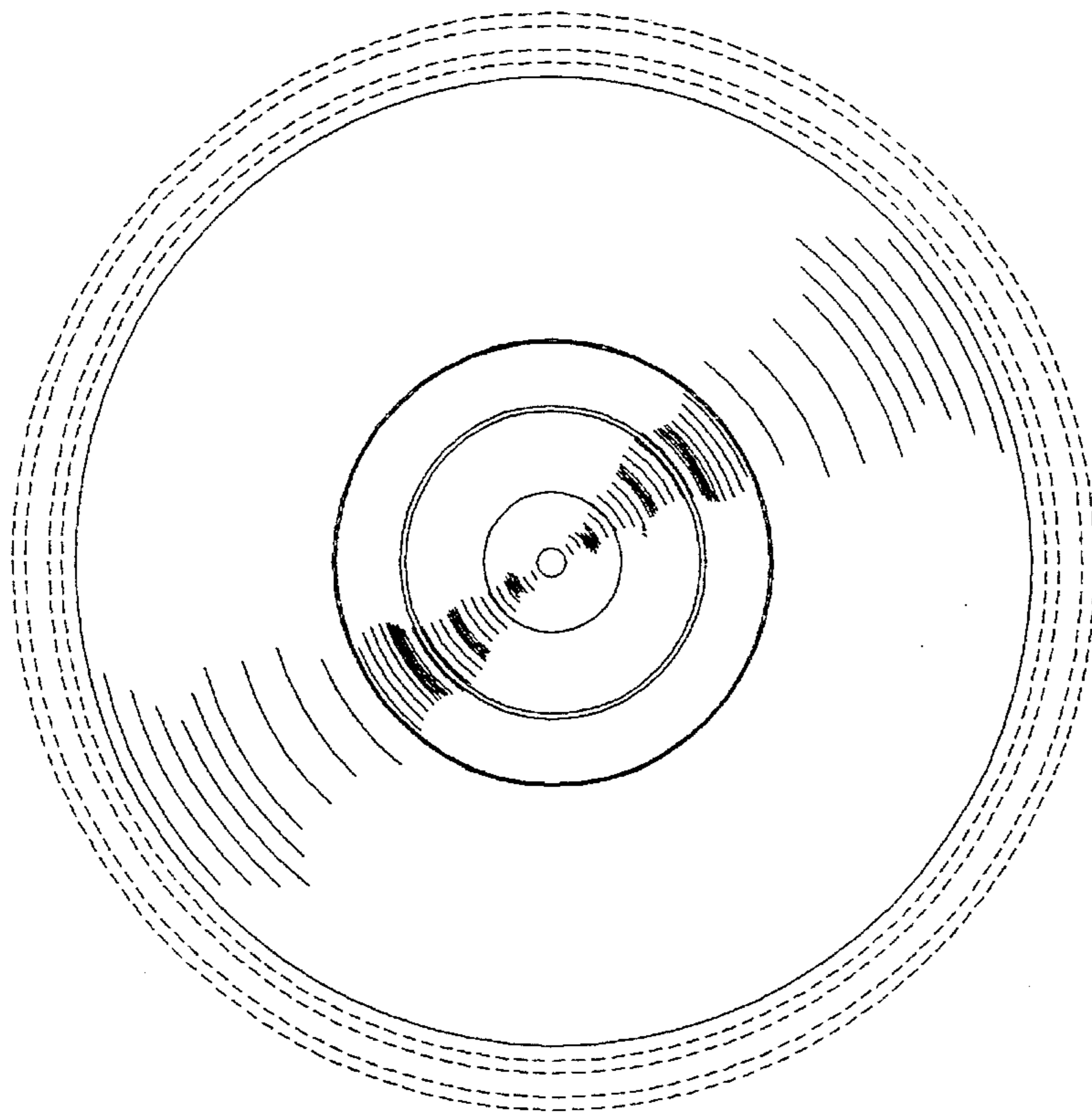


fig. 3

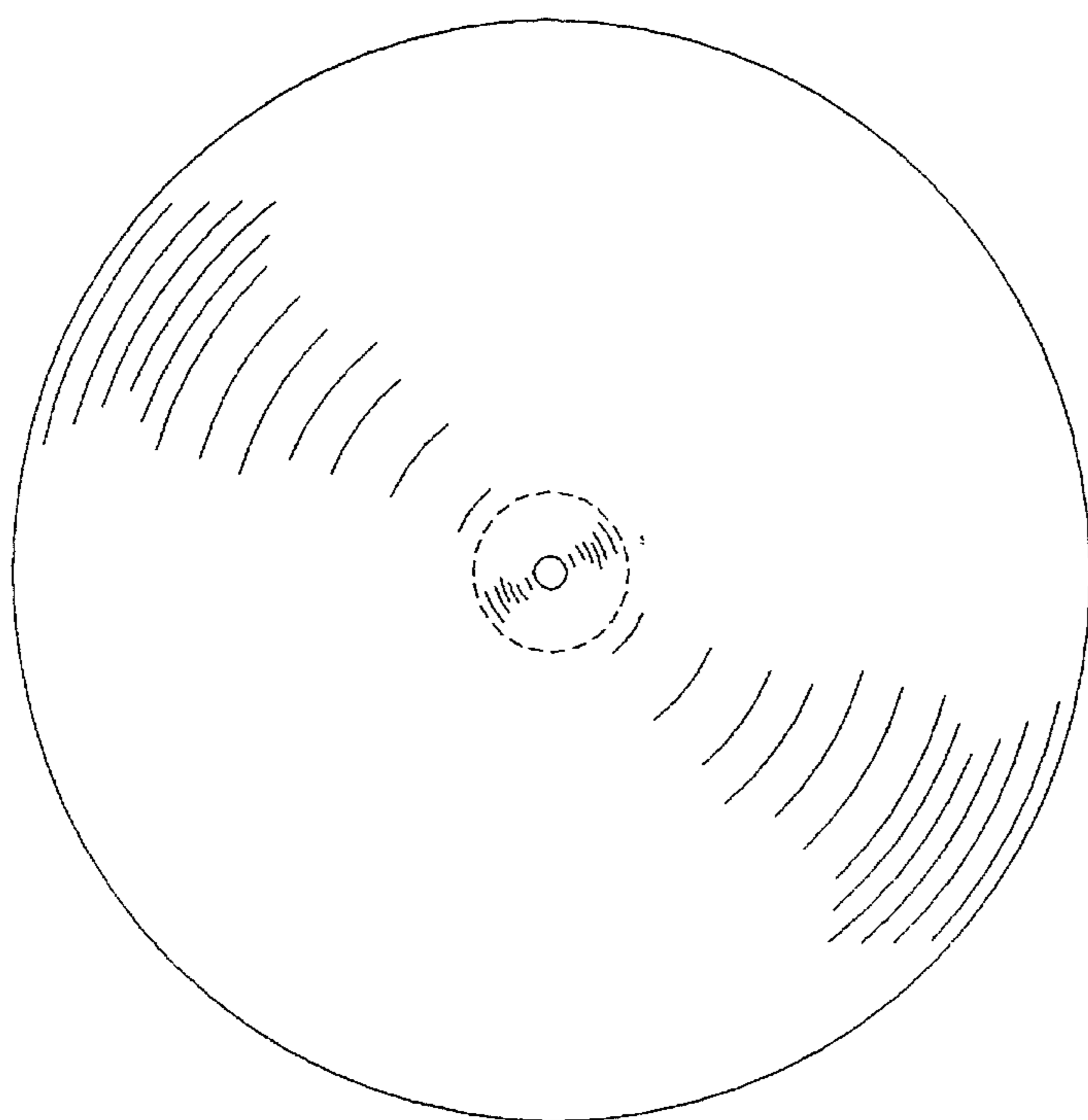


fig. 4