



US00D367936S

# United States Patent [19] Kay

[11] Patent Number: **Des. 367,936**

[45] Date of Patent: **\*\*Mar. 12, 1996**

[54] **WALL LAMP**

[75] Inventor: **Melissa S. Kay**, South Euclid, Ohio

[73] Assignee: **The L.D. Kichler Co.**, Cleveland, Ohio

[\*\*] Term: **14 Years**

[21] Appl. No.: **33,095**

[22] Filed: **Jan. 5, 1995**

[52] U.S. Cl. .... **D26/87**

[58] Field of Search ..... **D26/72, 80-92;  
362/147, 404-408, 432**

[56] **References Cited**

**U.S. PATENT DOCUMENTS**

- D. 356,383 3/1995 Pickett ..... D26/87
- D. 356,384 3/1995 Pickett ..... D26/92

**OTHER PUBLICATIONS**

Design Lighting Products Catalog No. 4, p. 72, Mesa, Arizona, ©1990.  
 Progress Lighting Ideas Book, ©1988, p. 106, Wall Lamps, #P 3357, #P 3358, #3359.  
 Progress Lighting Ideas Book, ©1992, p. 23, Wall Lamps #P 3035-10 & P 3036-10.

*Primary Examiner*—Susan J. Lucas  
*Attorney, Agent, or Firm*—Watts, Hoffmann, Fisher & Heinke

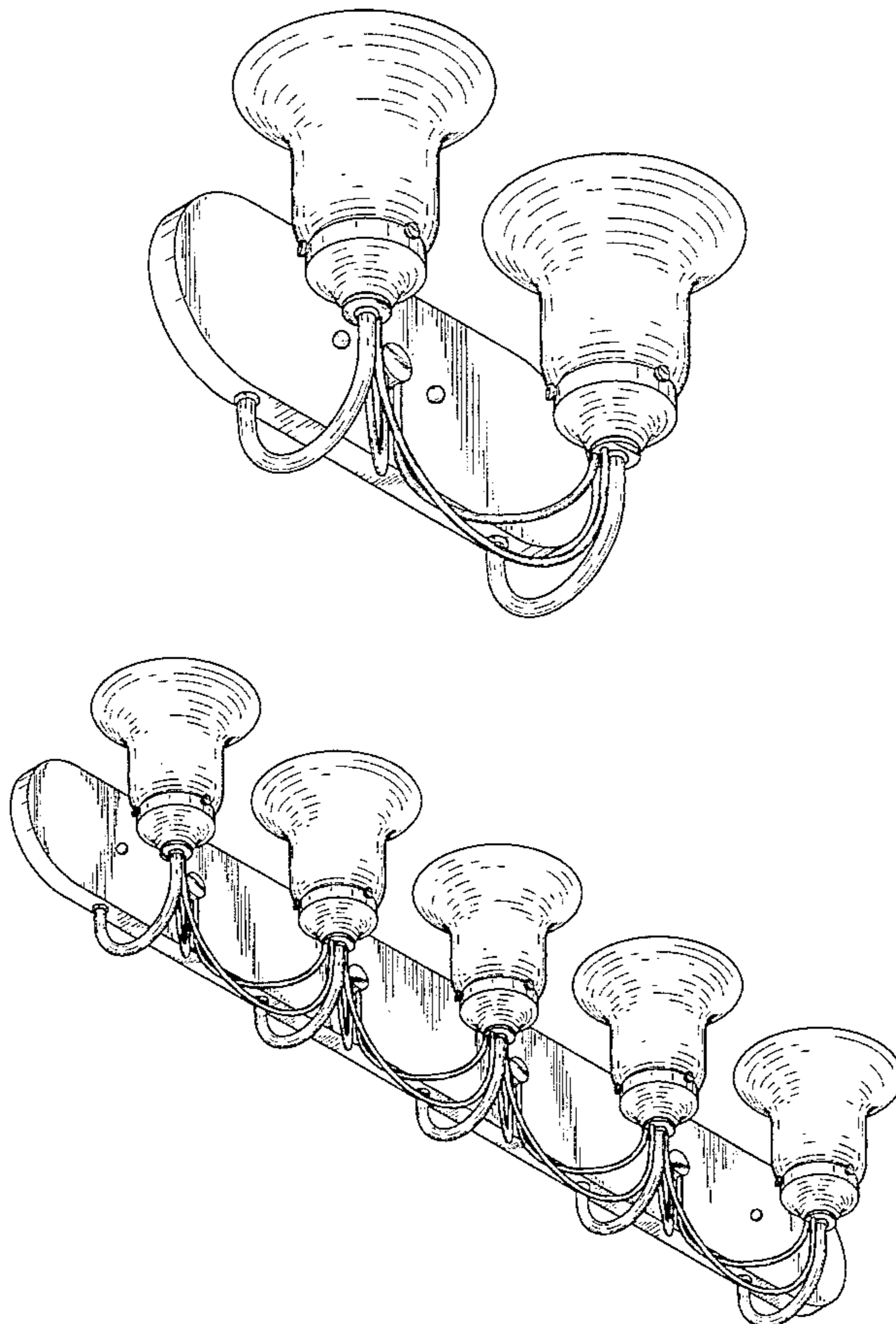
[57] **CLAIM**

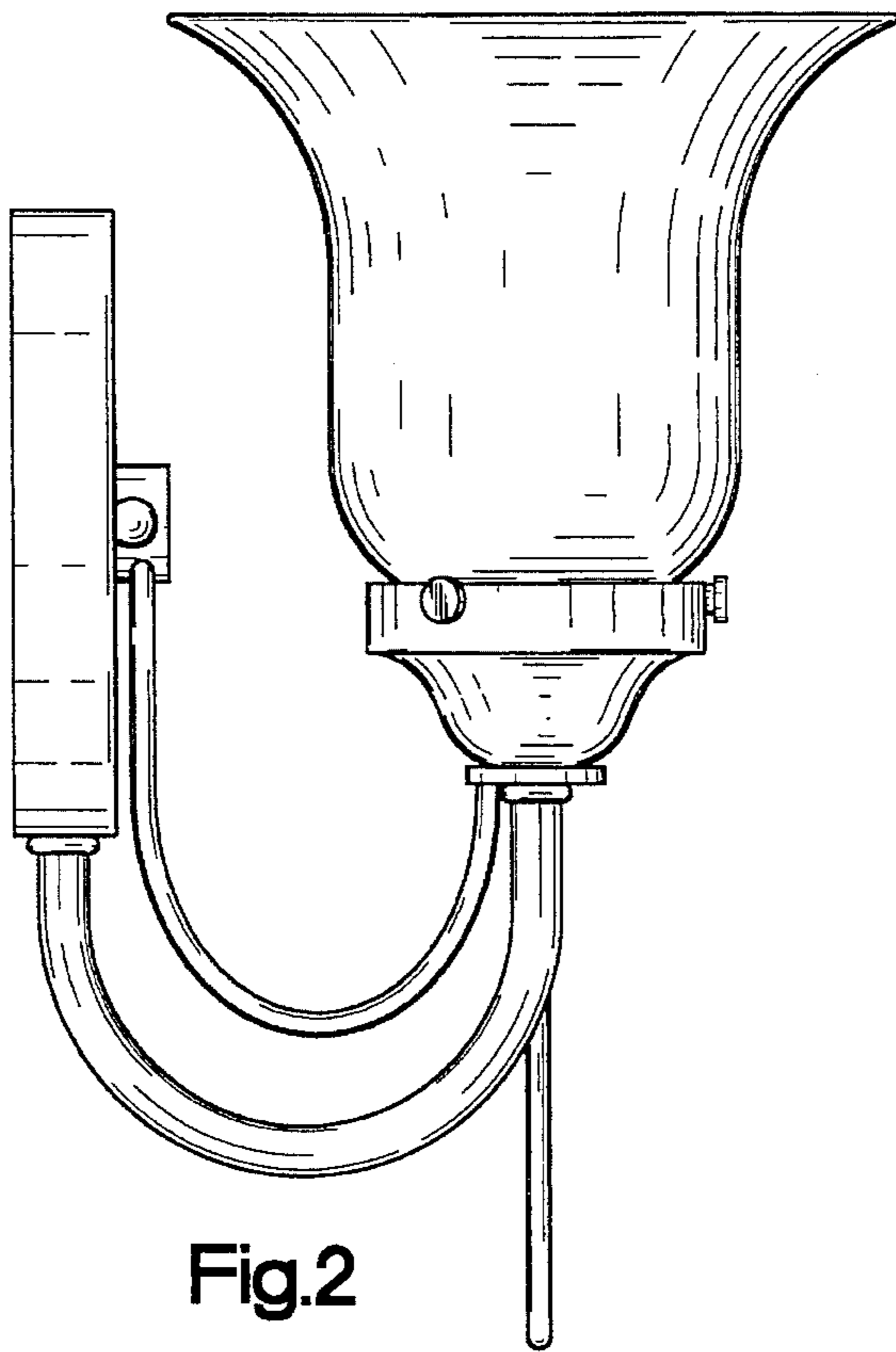
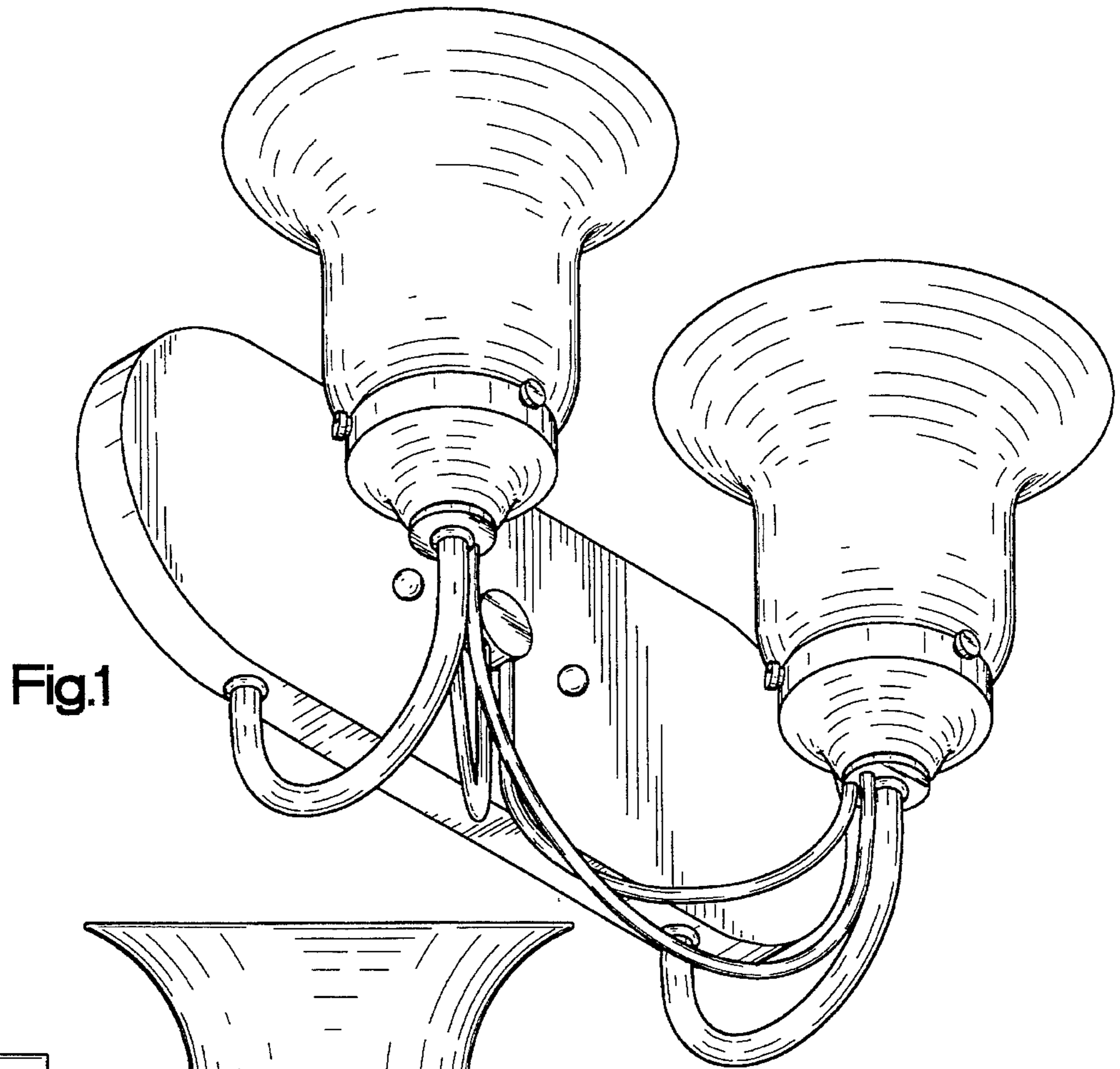
The ornamental design for a wall lamp, as shown and described.

**DESCRIPTION**

FIG. 1 is a perspective view of a wall lamp showing my new design having two shades;  
 FIG. 2 is a left side elevational view of the wall lamp, the right side elevational view being a mirror image;  
 FIG. 3 is a front elevational view of the wall lamp;  
 FIG. 4 is a rear elevational view of the wall lamp;  
 FIG. 5 is a top plan view of the wall lamp;  
 FIG. 6 is a bottom plan view of the wall lamp;  
 FIG. 7 is a perspective view of a second embodiment of a wall lamp showing my new design having three shades;  
 FIG. 8 is a left side elevational view of the wall lamp, the right side elevational view being a mirror image;  
 FIG. 9 is a front elevational view of the wall lamp;  
 FIG. 10 is a rear elevational view of the wall lamp;  
 FIG. 11 is a top plan view of the wall lamp;  
 FIG. 12 is a bottom plan view of the wall lamp;  
 FIG. 13 is a perspective view of a third embodiment of a wall lamp showing my new design having five shades;  
 FIG. 14 is a left side elevational view of the wall lamp, the right side elevational view being a mirror image;  
 FIG. 15 is a front elevational view of the wall lamp;  
 FIG. 16 is a rear elevational view of the wall lamp;  
 FIG. 17 is a top plan view of the wall lamp; and,  
 FIG. 18 is a bottom plan view of the wall lamp.

**1 Claim, 9 Drawing Sheets**





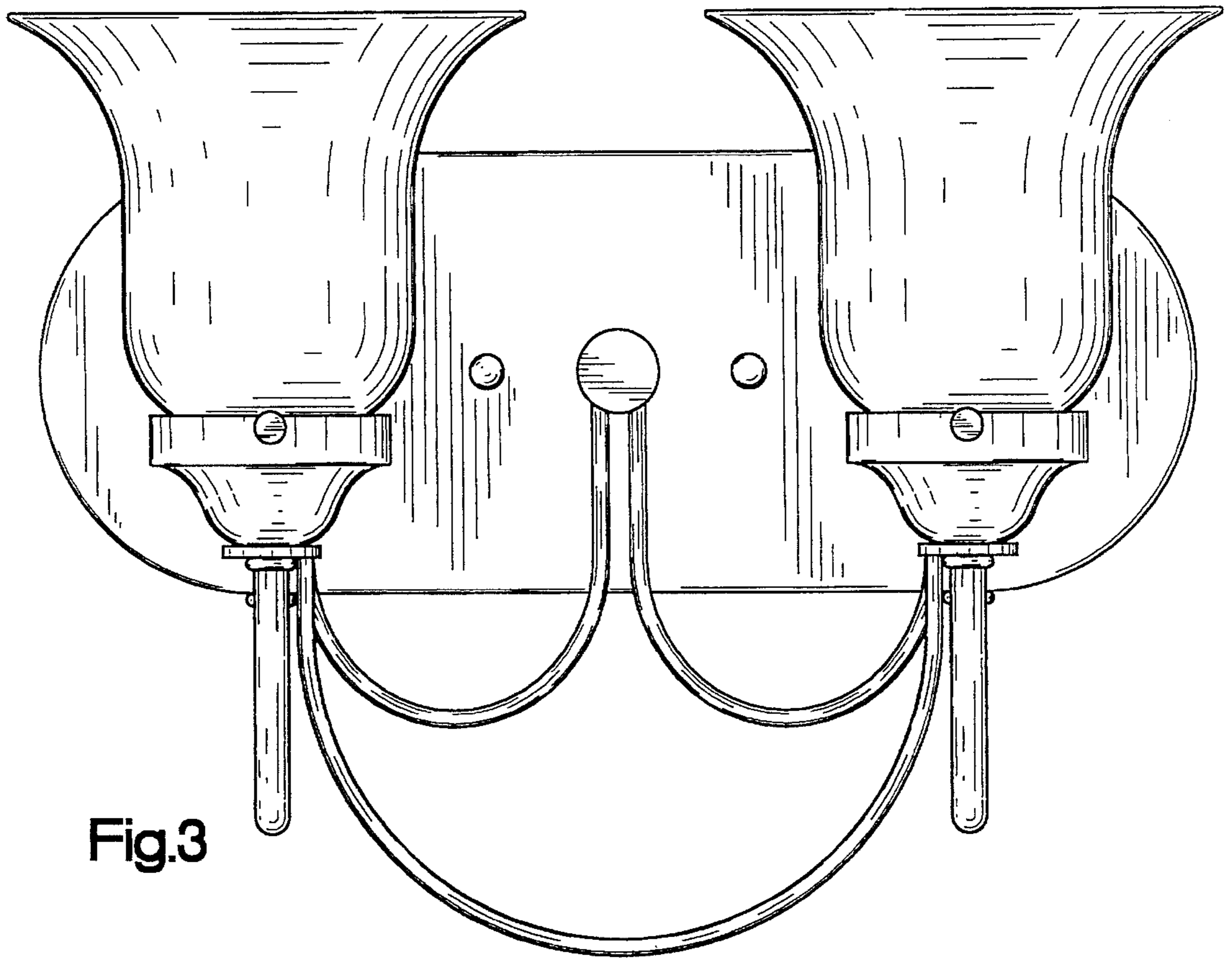


Fig.3

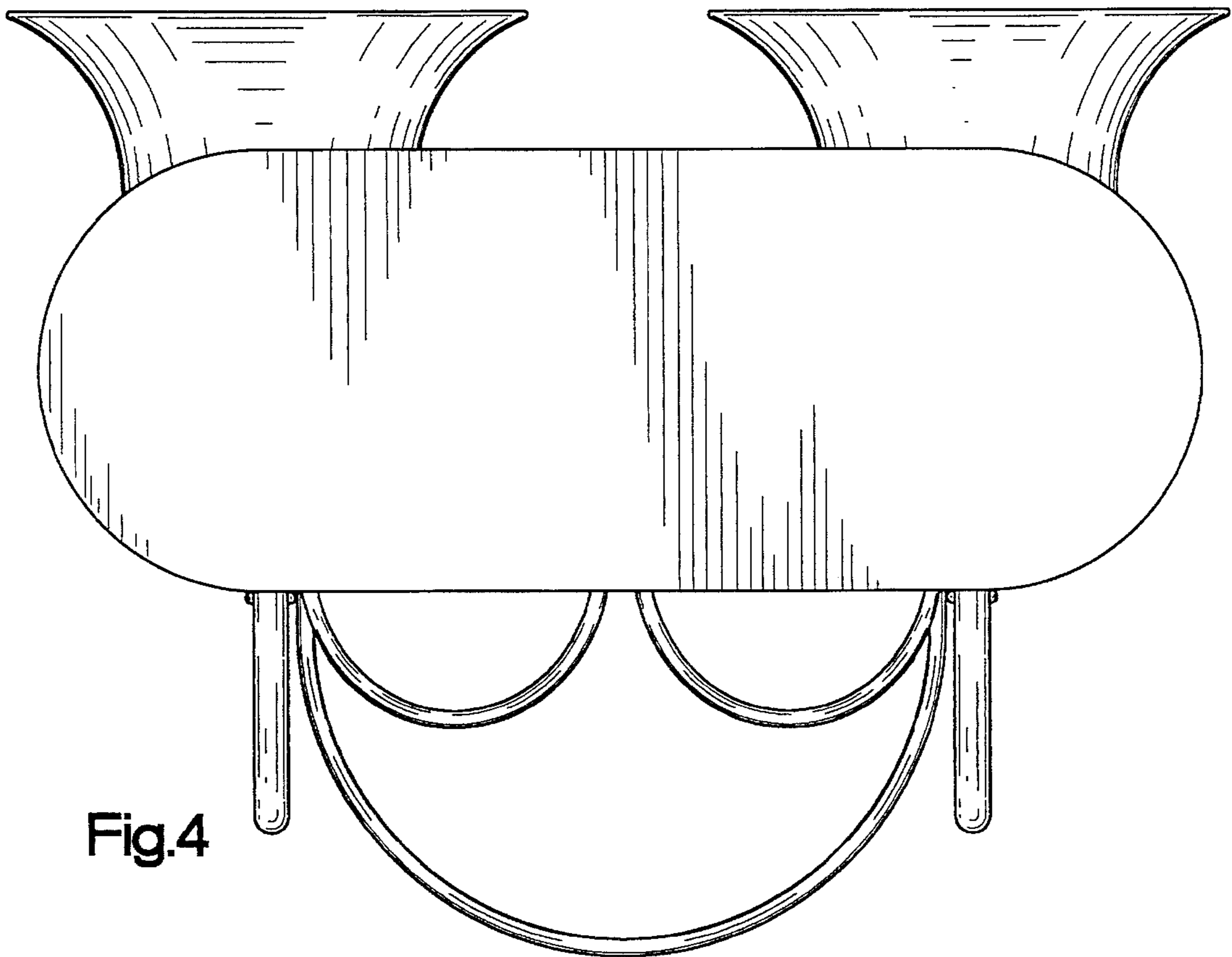


Fig.4



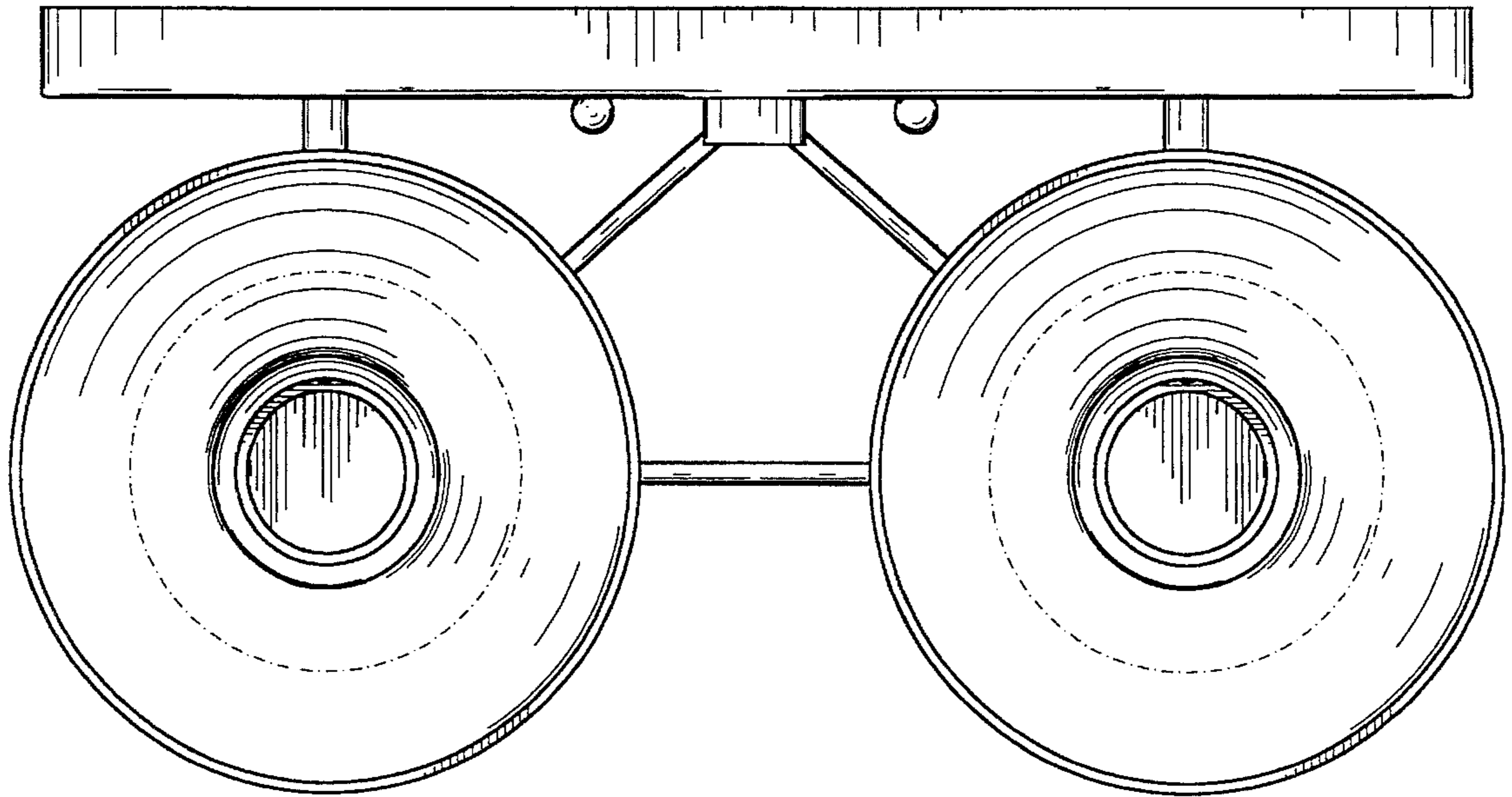


Fig.5

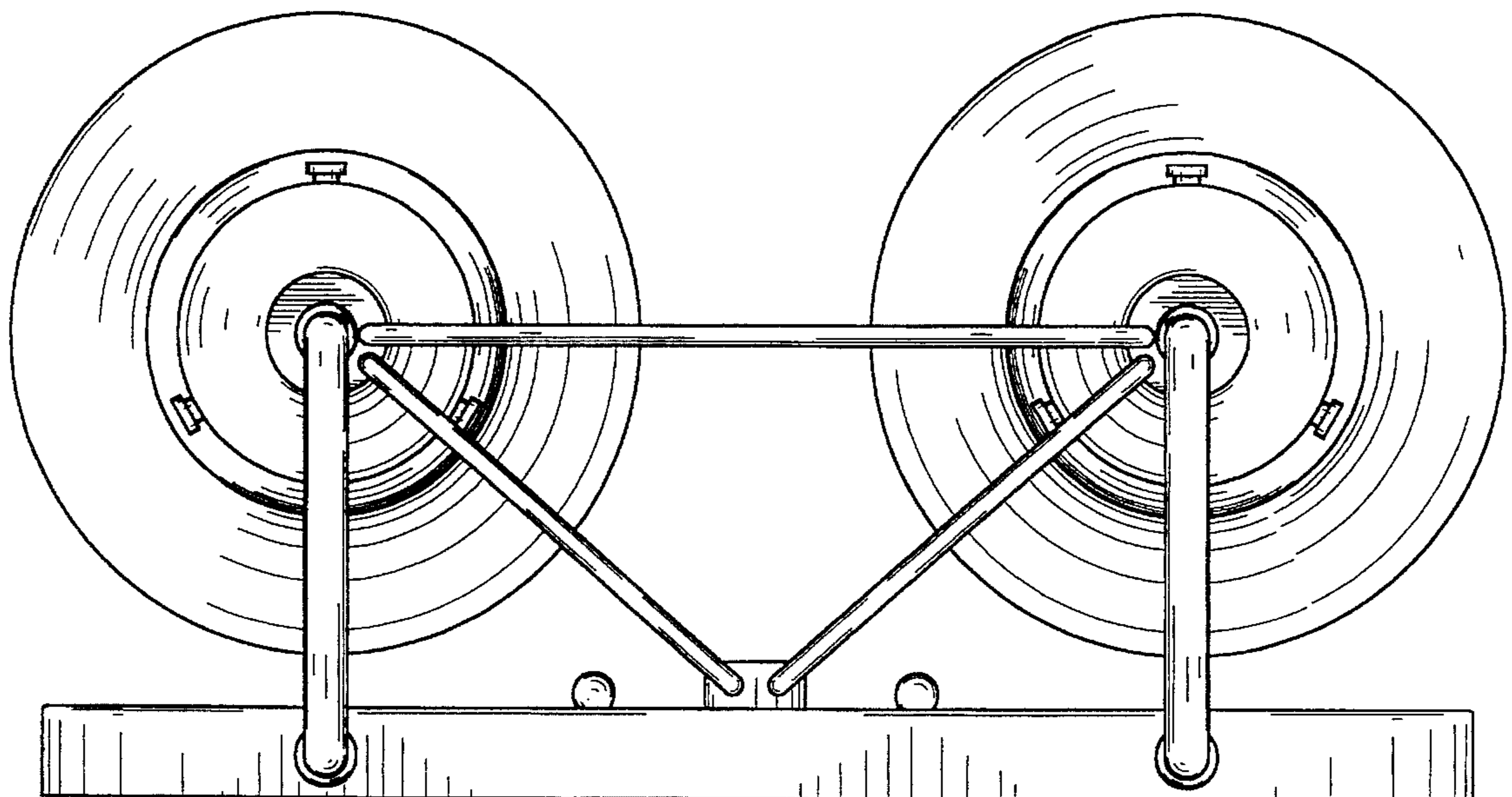


Fig.6

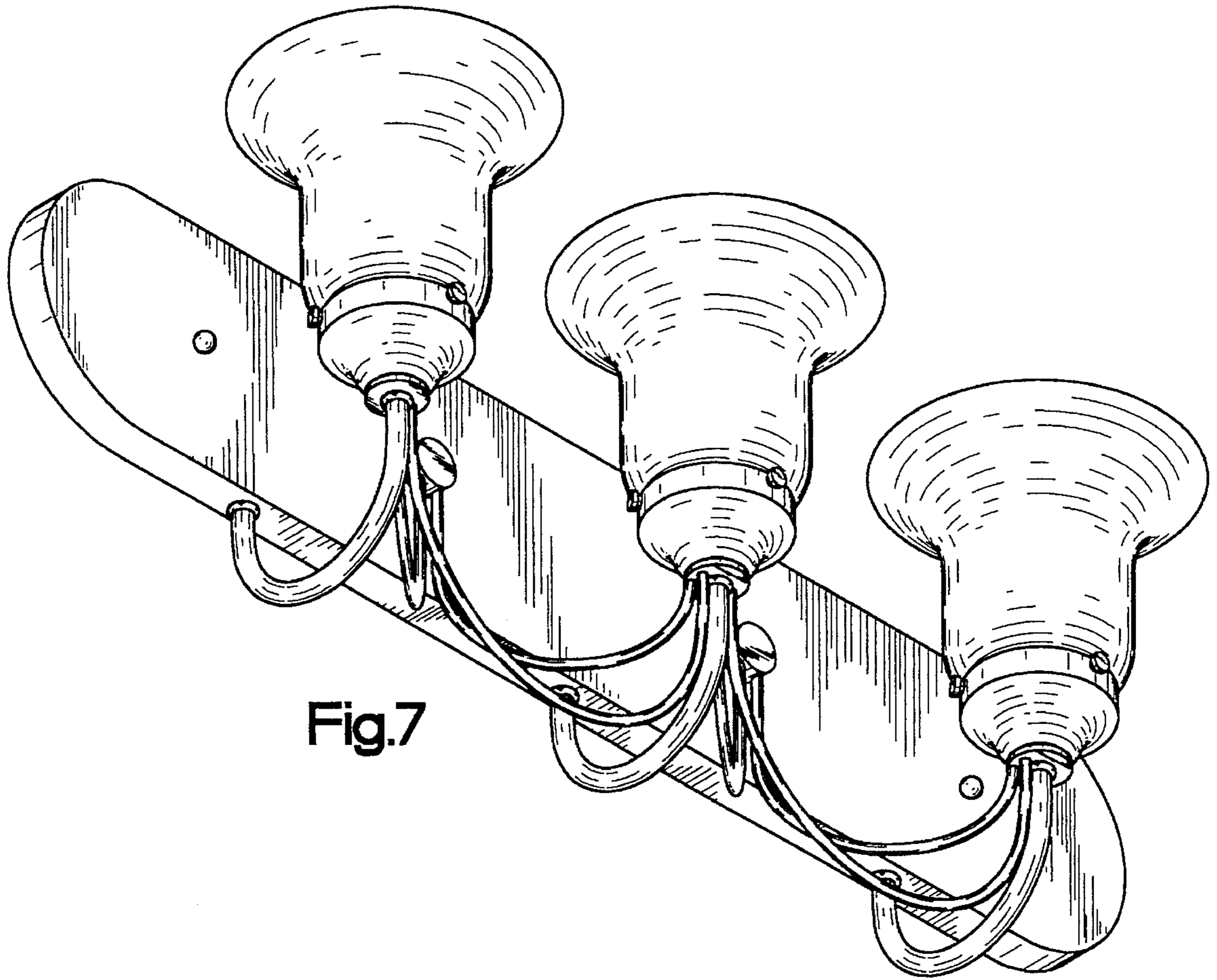


Fig.7

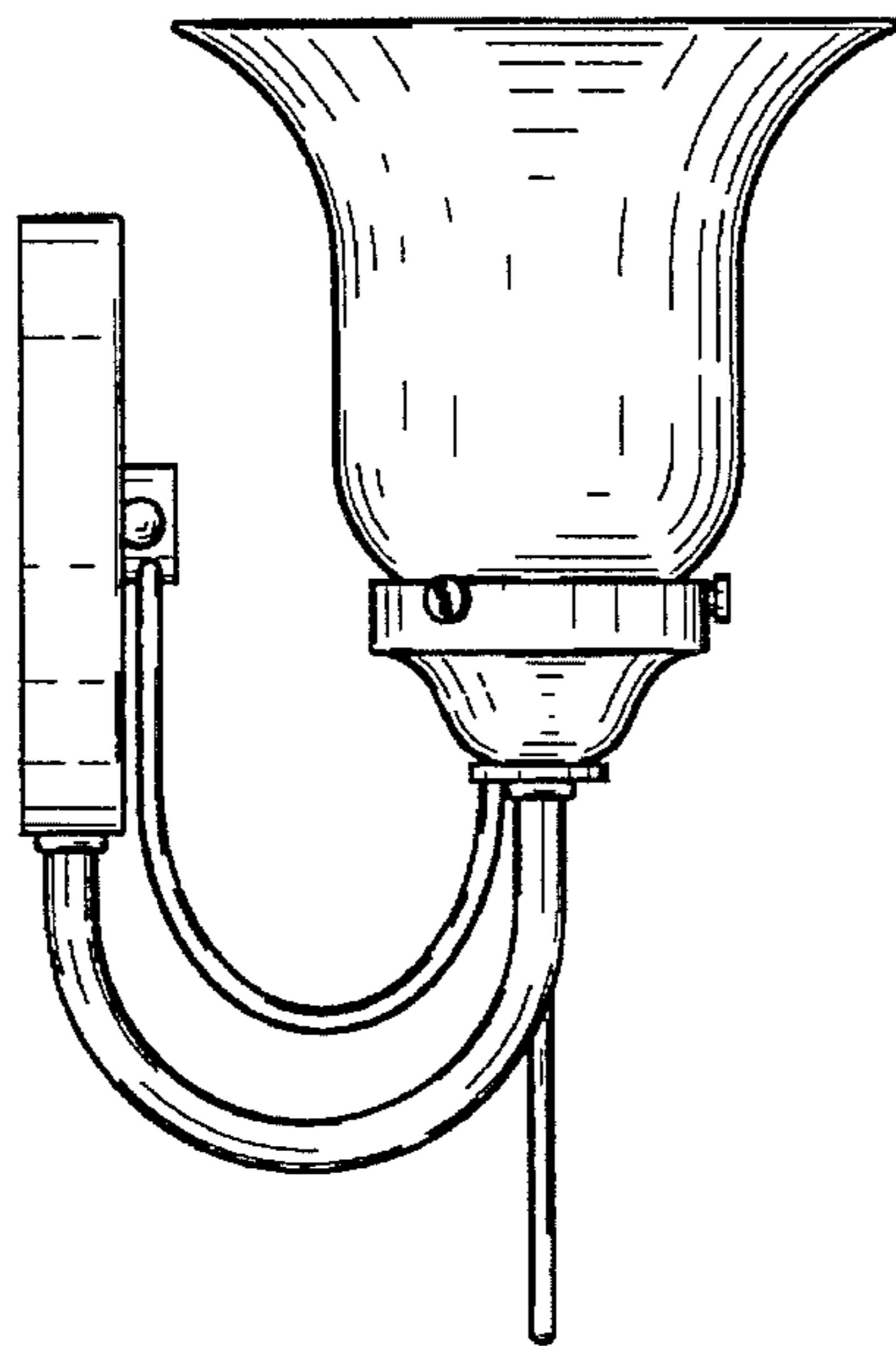


Fig.8

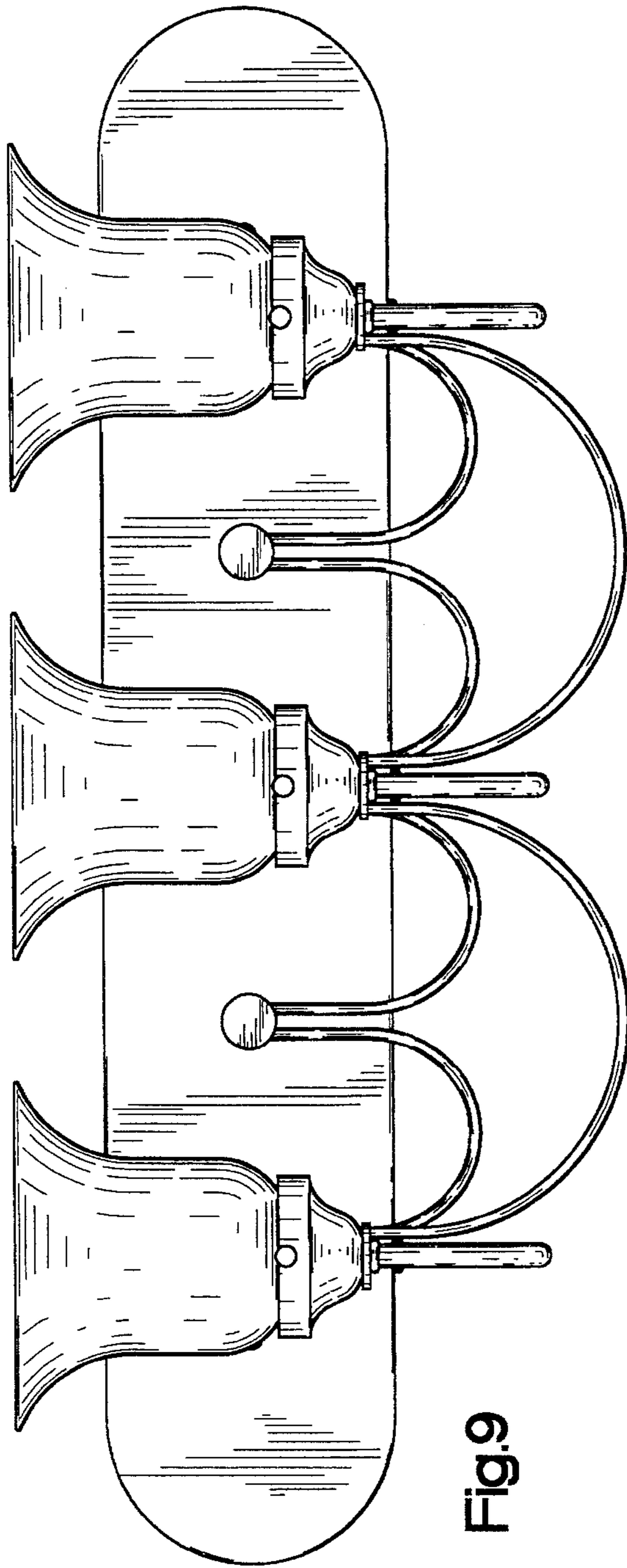


Fig.9

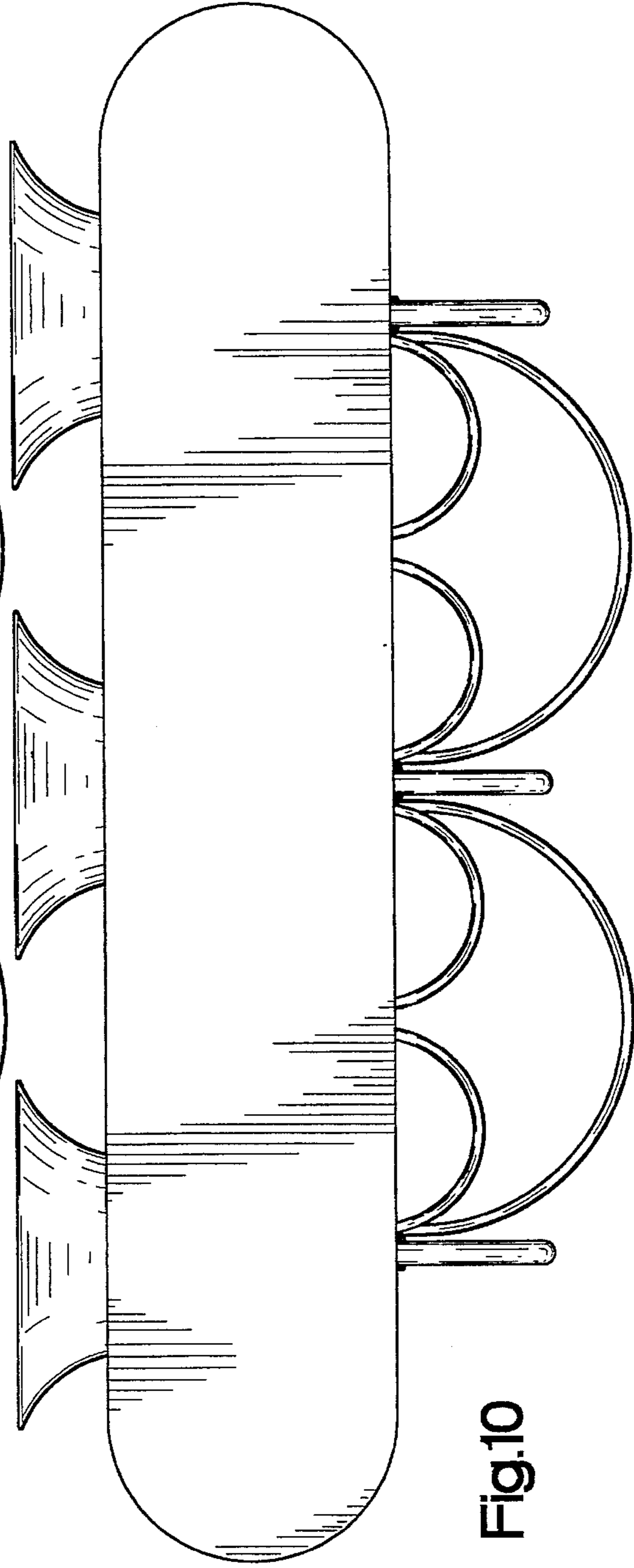


Fig.10



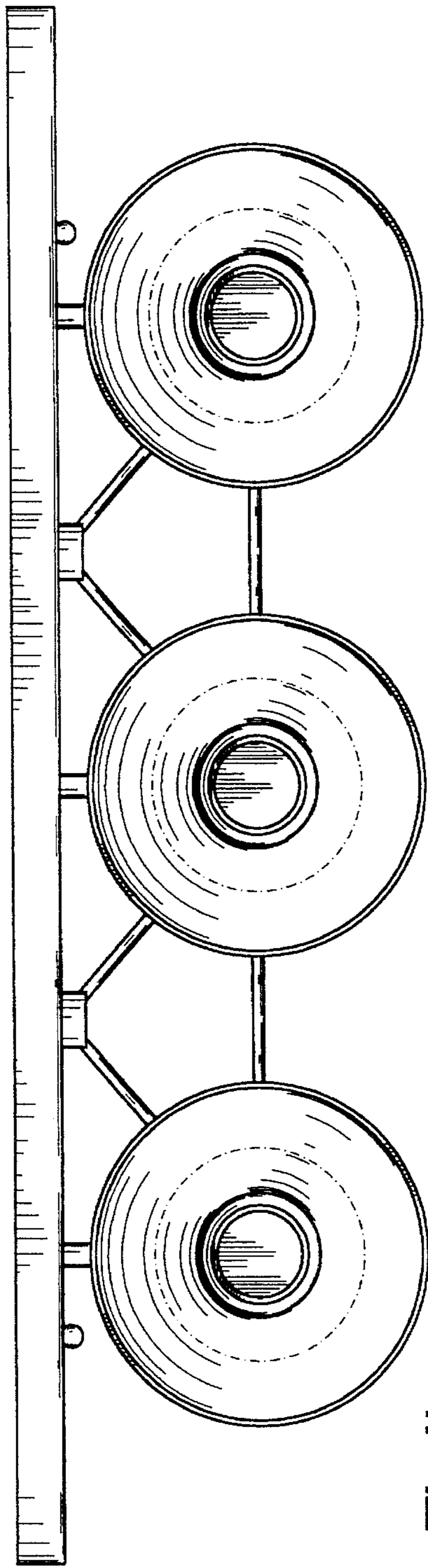


Fig.11

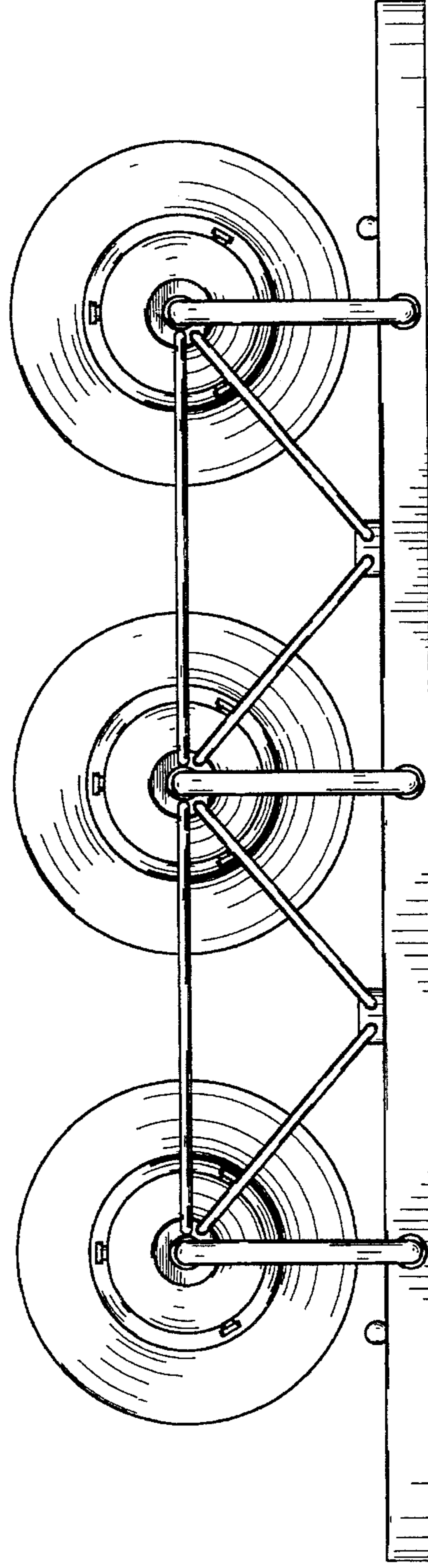


Fig.12

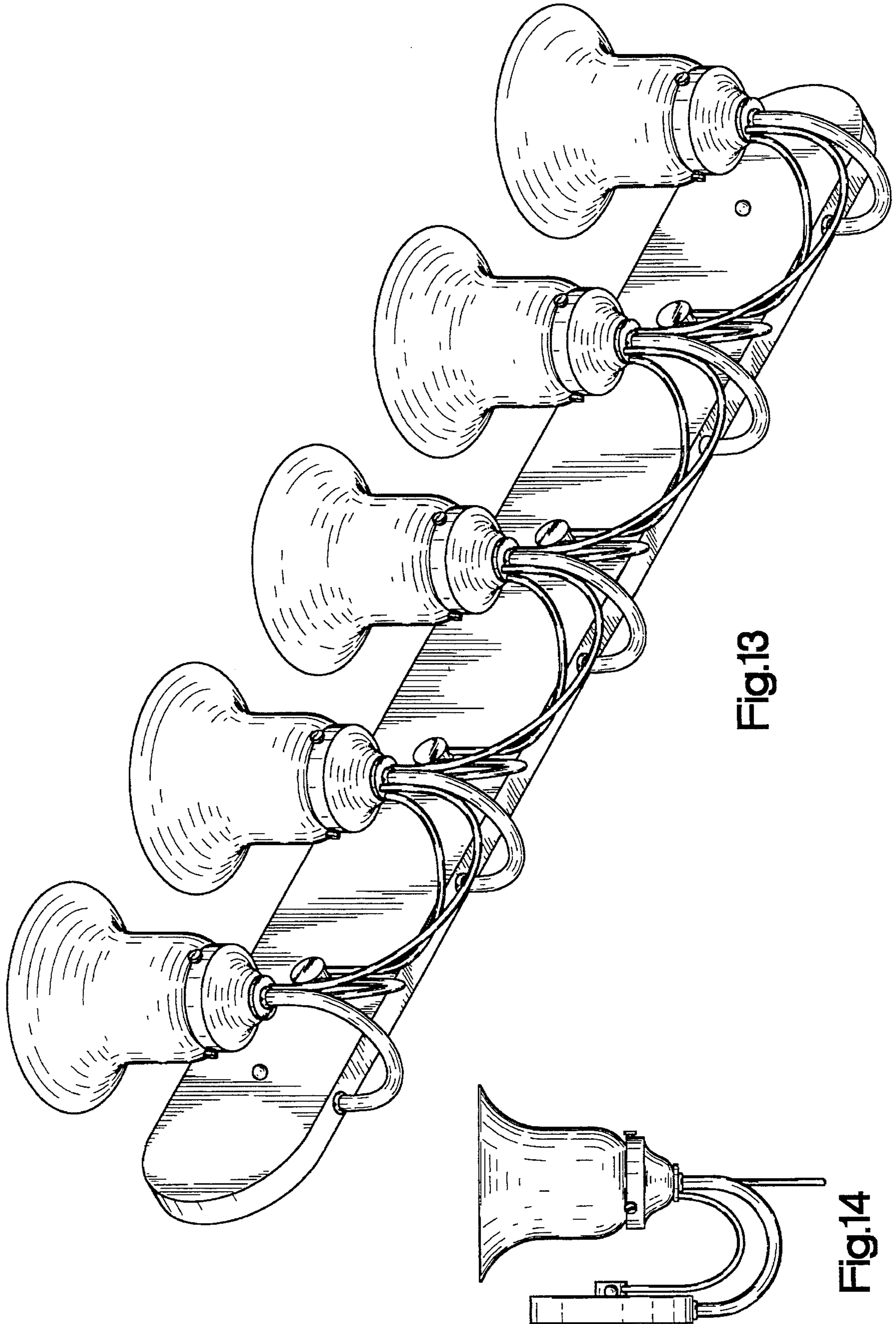


Fig.13

Fig.14



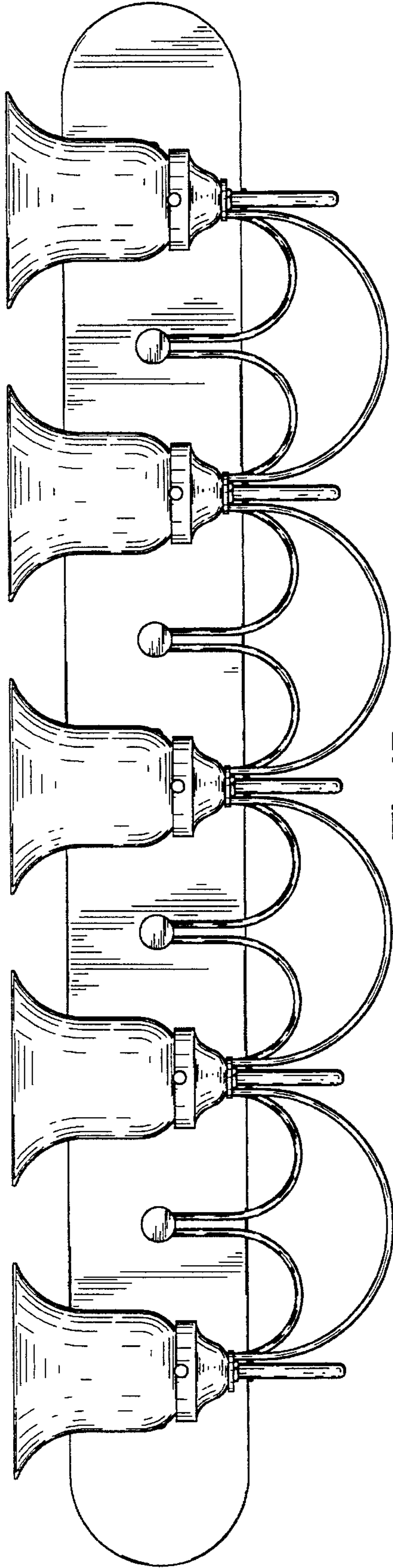


Fig.15

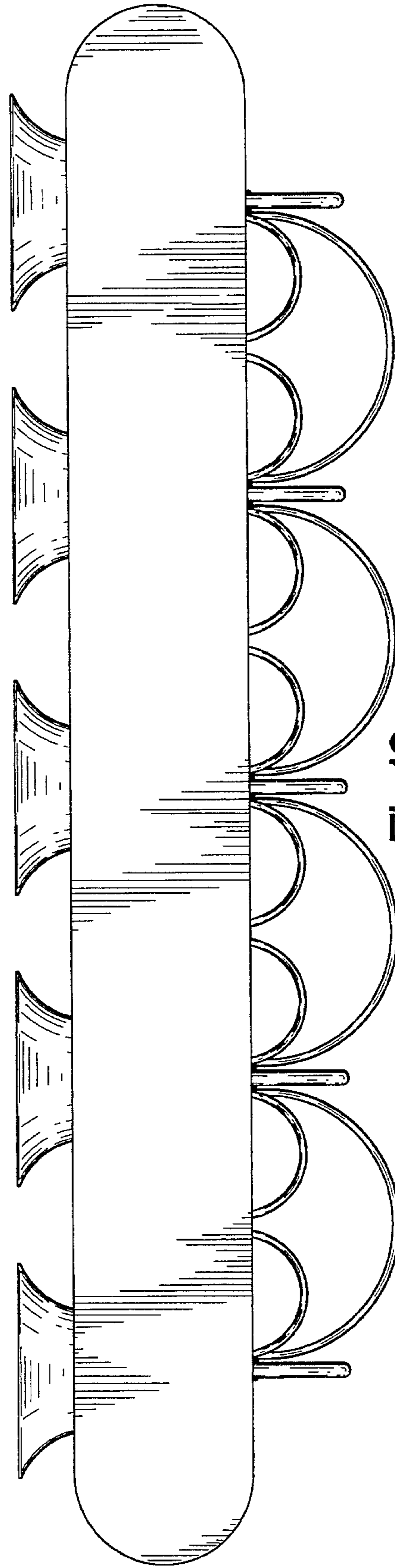


Fig.16

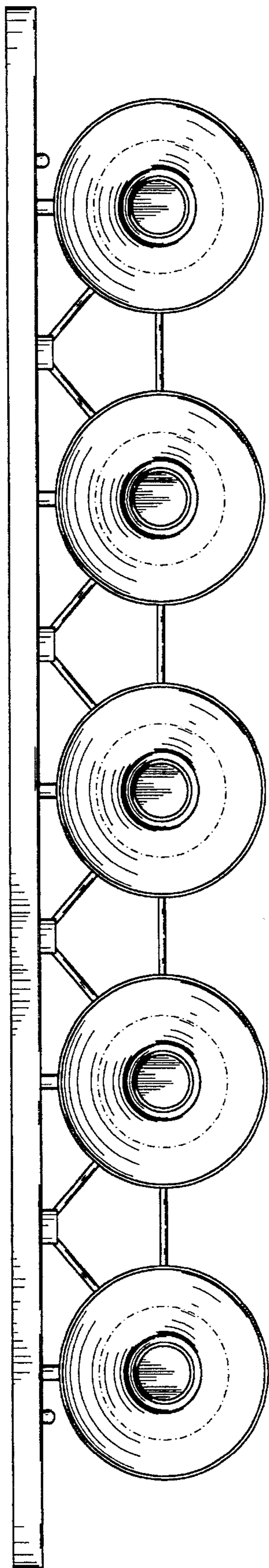


Fig.17

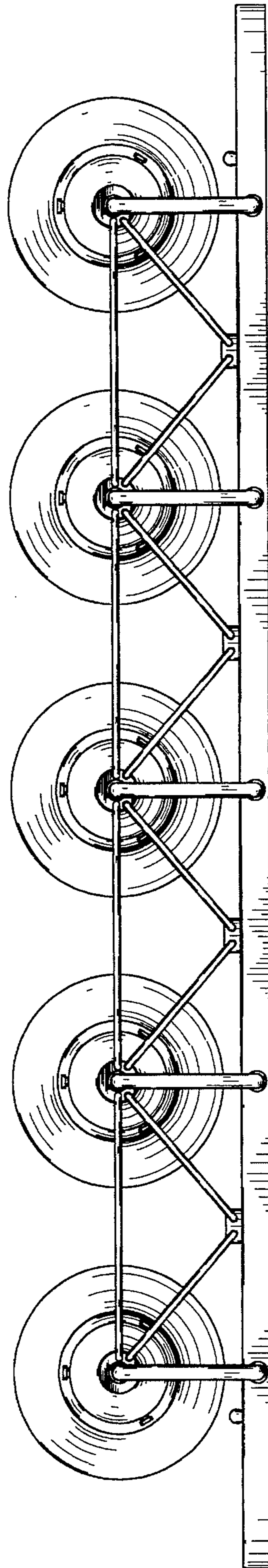


Fig.18