



US00D367935S

United States Patent [19]

[11] Patent Number: **Des. 367,935**

Burns

[45] Date of Patent: ****Mar. 12, 1996**

[54] FLASHLIGHT

[57] CLAIM

[75] Inventor: **Bruce Burns**, Portland, Oreg.

The ornamental design for a flashlight, as shown and described.

[73] Assignee: **Burns Bros., Inc.**, Portland, Oreg.

DESCRIPTION

[**] Term: **14 Years**

[21] Appl. No.: **32,455**

FIG. 1 is a side elevational view of a flashlight showing my new design, the opposite side being a mirror image;

[22] Filed: **Dec. 19, 1994**

FIG. 2 is a top plan view thereof;

[52] U.S. Cl. **D26/49; D26/46**

FIG. 3 is a bottom plan view thereof;

[58] Field of Search **D26/46, 49, 50, D26/37; 362/153, 158, 159, 202, 204, 203, 205, 208**

FIG. 4 is a front elevational view thereof;

FIG. 5 is a rear elevational view thereof;

FIG. 6 is a side elevational view of a second embodiment thereof, differing in size and proportions from the embodiment of FIG. 1, the opposite side being a mirror image;

[56] References Cited

U.S. PATENT DOCUMENTS

D. 240,550	7/1976	Bindley	D26/49
D. 240,551	7/1976	Bindley	D26/49
D. 314,634	2/1991	Fenae	D26/46
D. 333,358	2/1993	Burns	D26/46

FIG. 7 is a top plan view of the embodiment of FIG. 6;

FIG. 8 is a bottom plan view of the embodiment of FIG. 6;

FIG. 9 is a front elevational view of the embodiment of FIG. 6; and,

FIG. 10 is a rear elevational view of the embodiment of FIG. 6.

Primary Examiner—A. Hugo Word

Assistant Examiner—Cynthia E. Ramirez

Attorney, Agent, or Firm—Shapiro and Shapiro

1 Claim, 3 Drawing Sheets

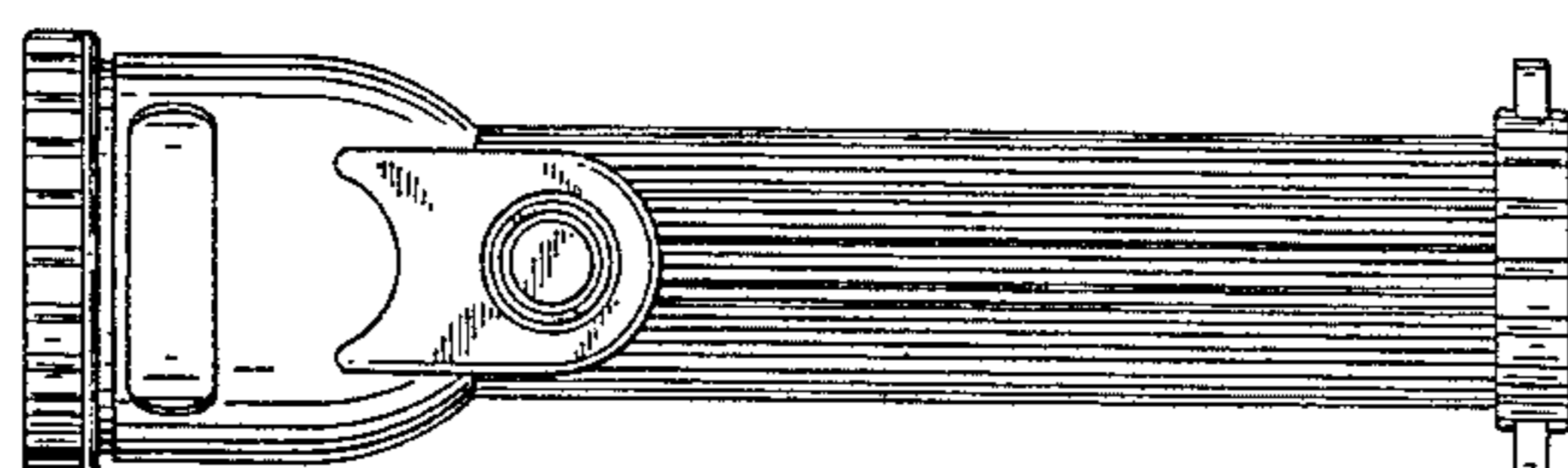
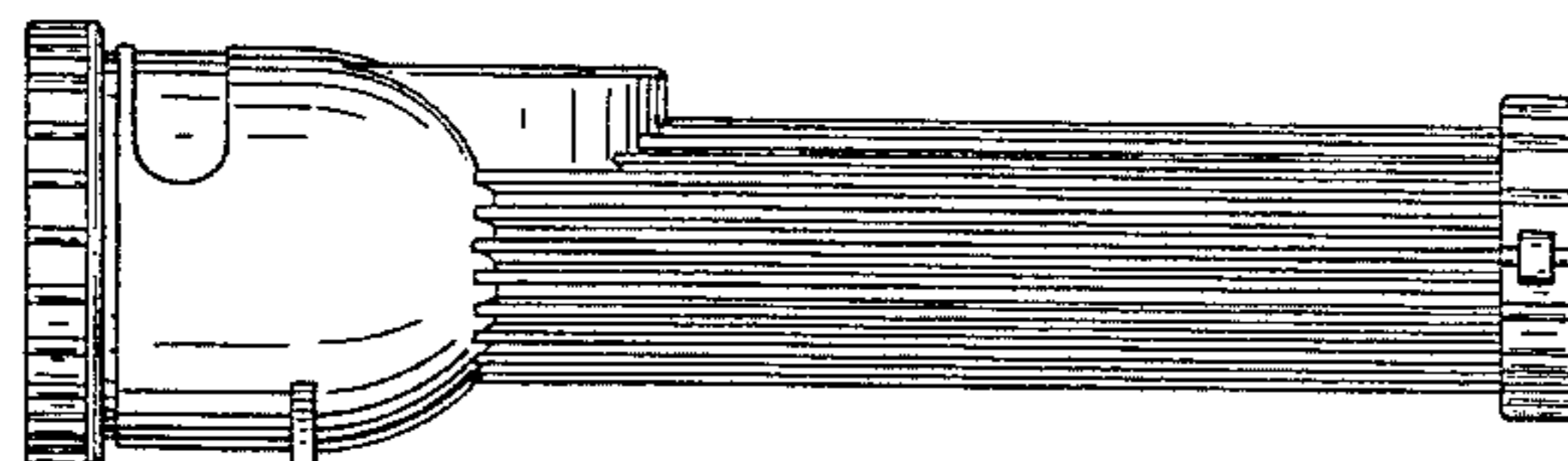
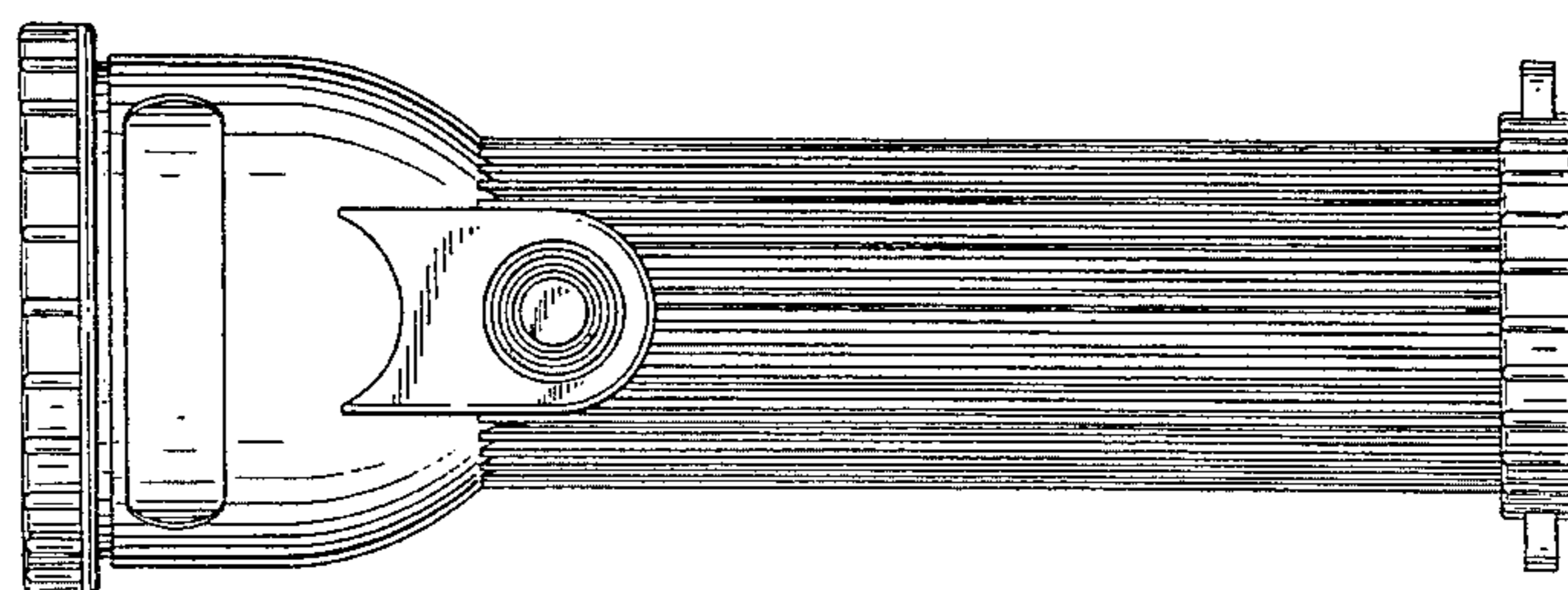
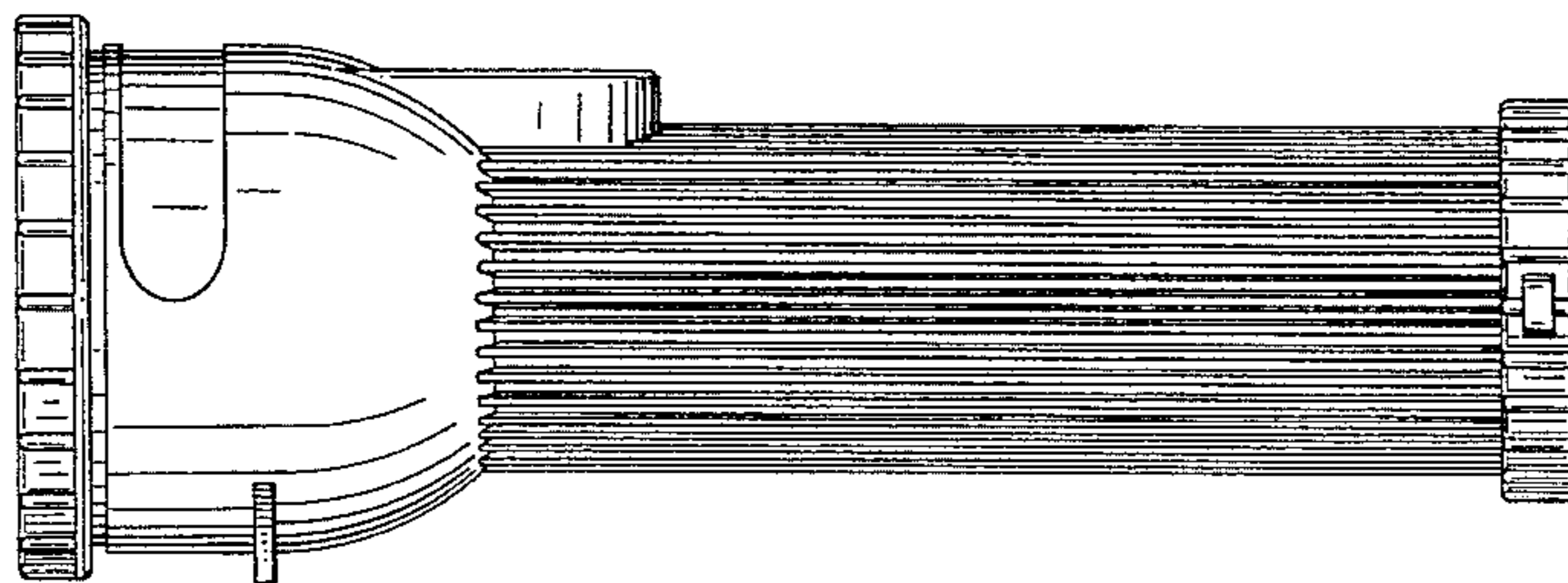


FIG. 1

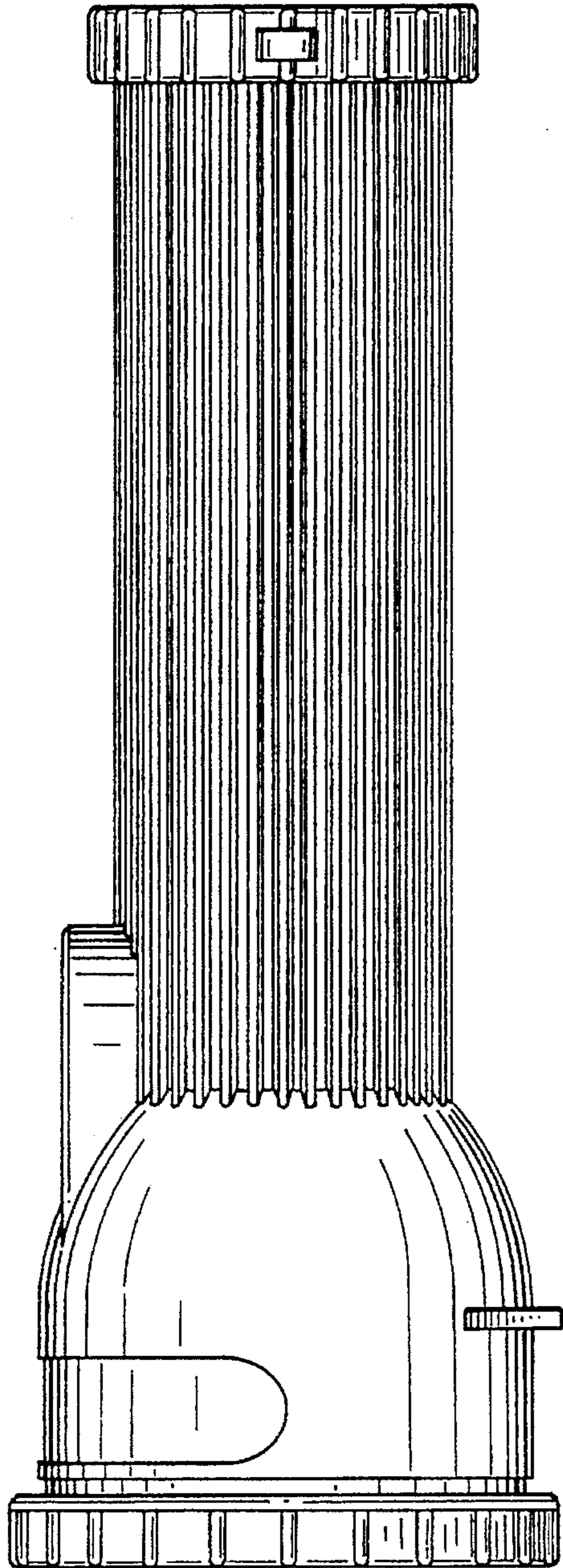


FIG. 2

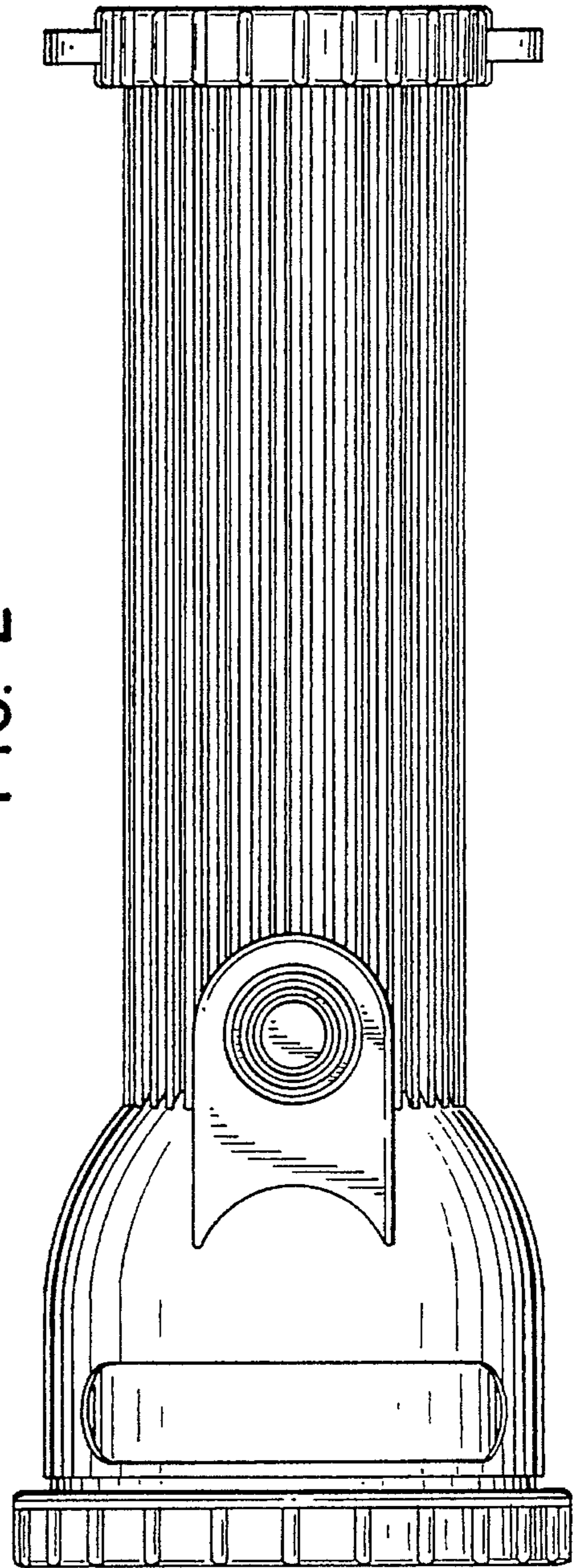


FIG. 3

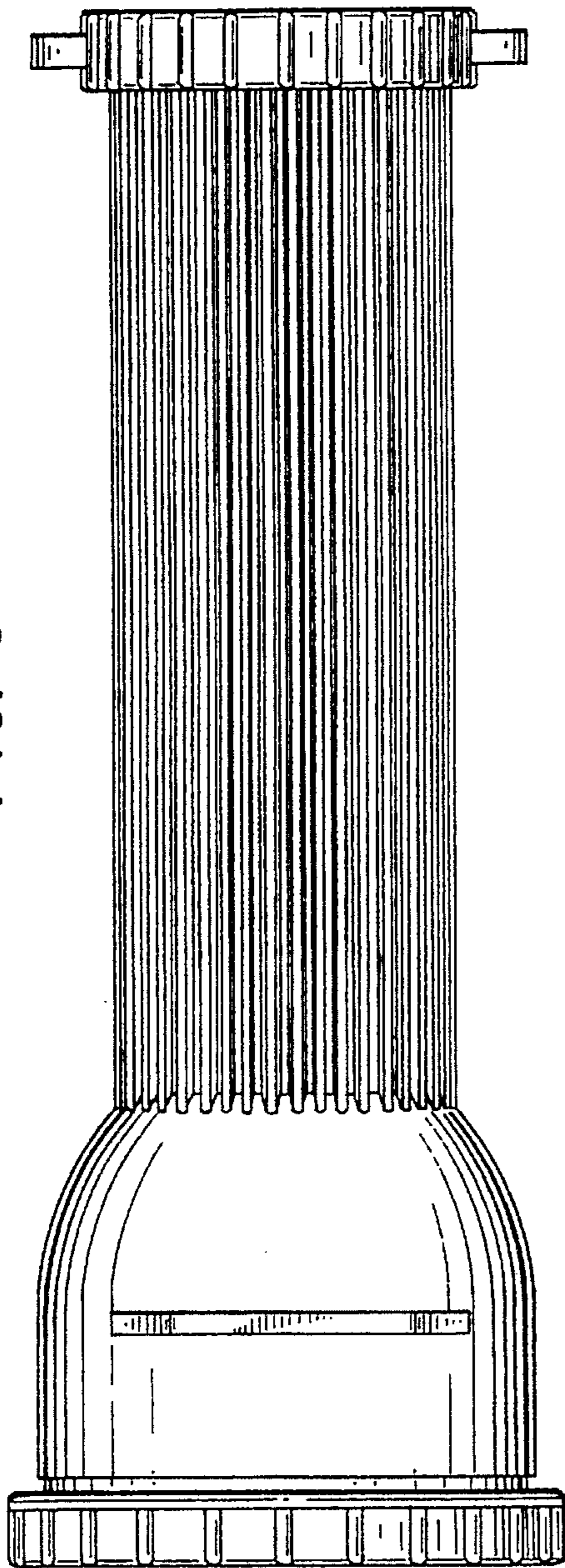


FIG. 5

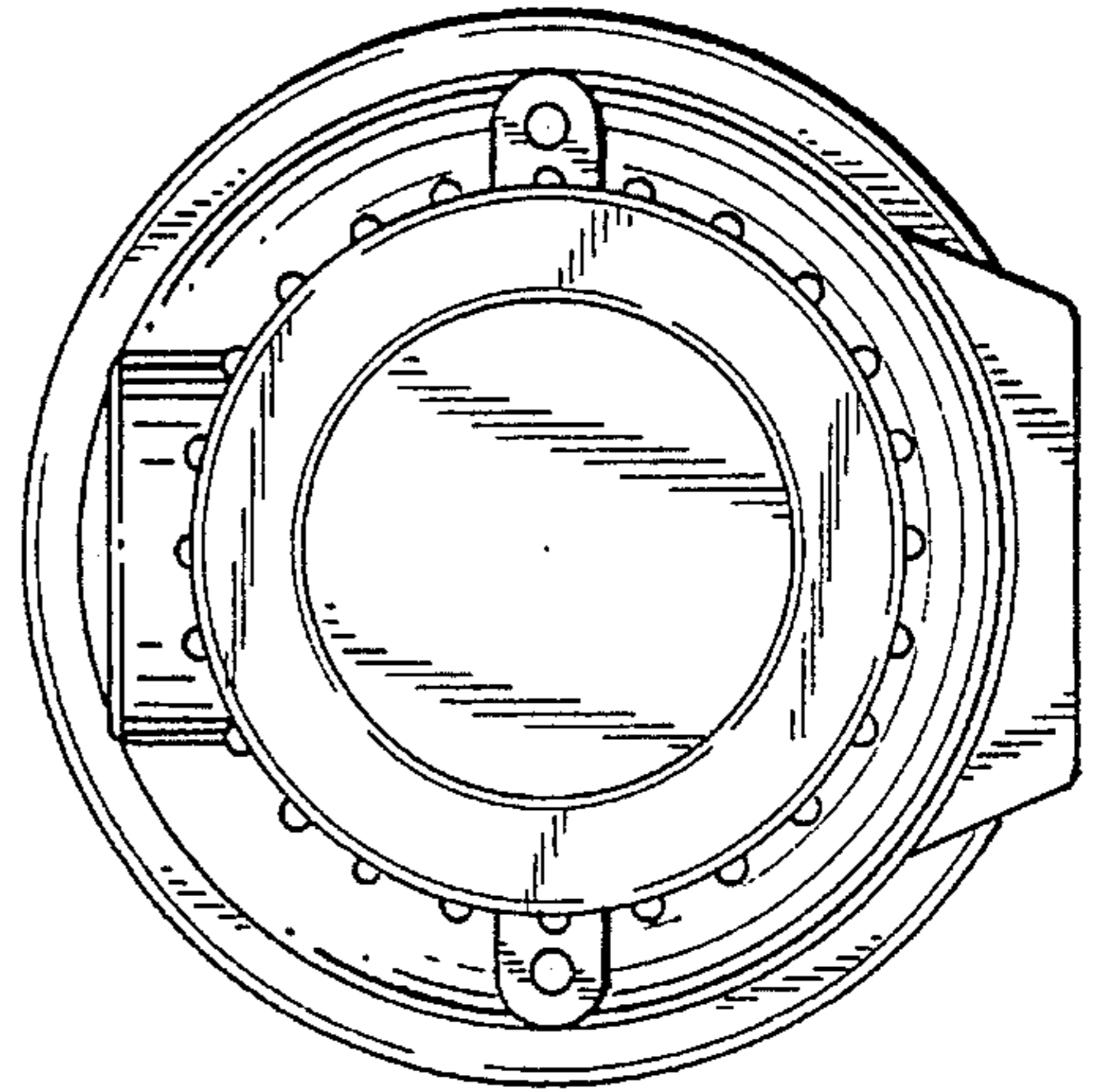


FIG. 4

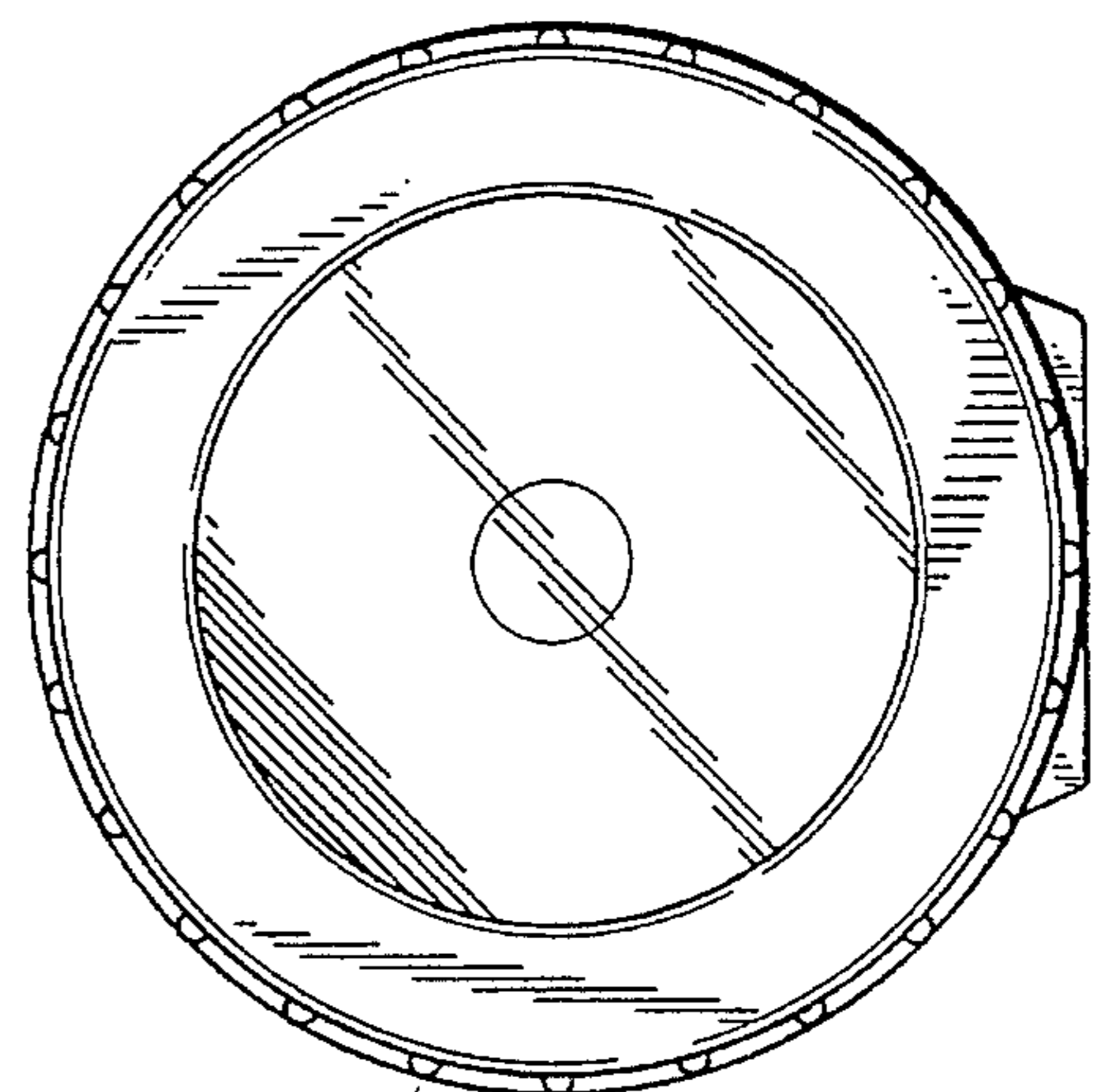


FIG. 6

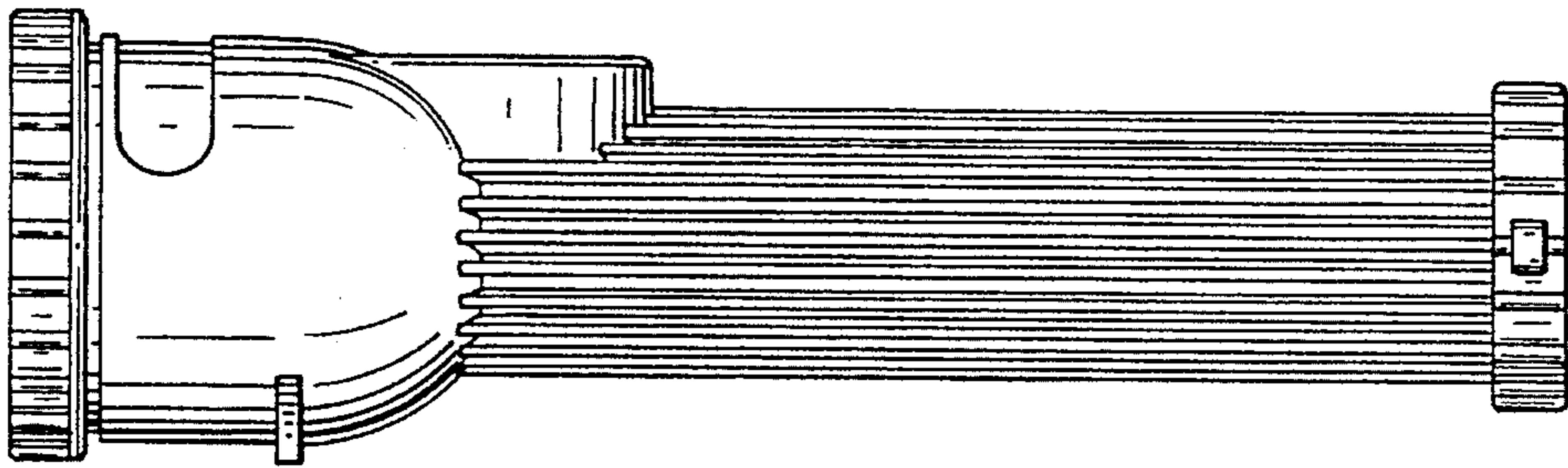


FIG. 7

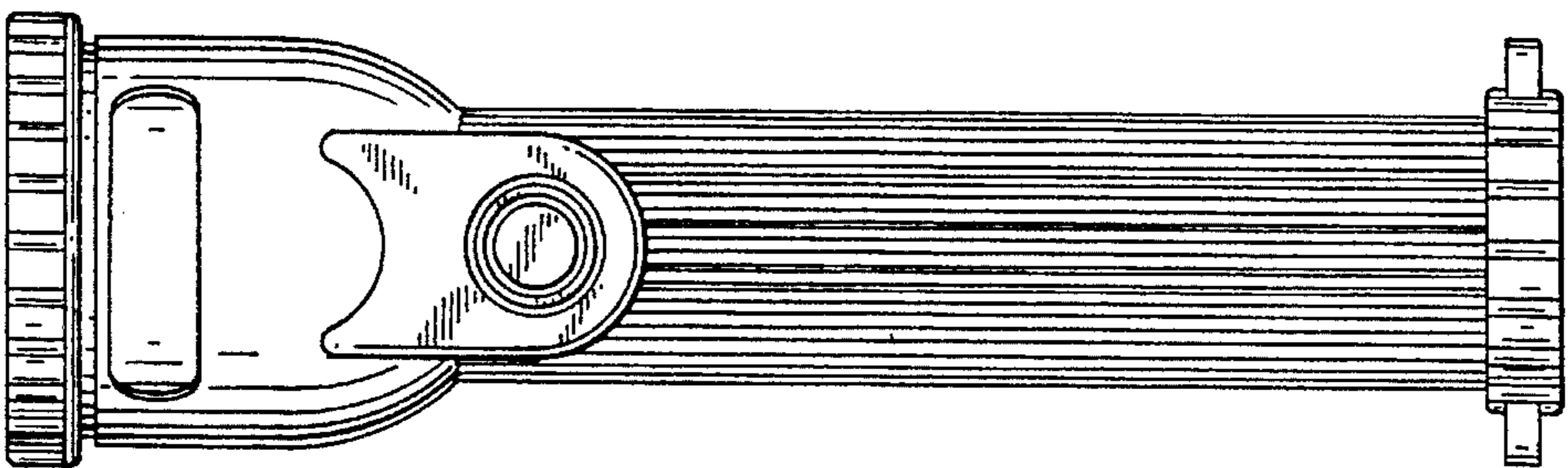


FIG. 8



FIG. 9

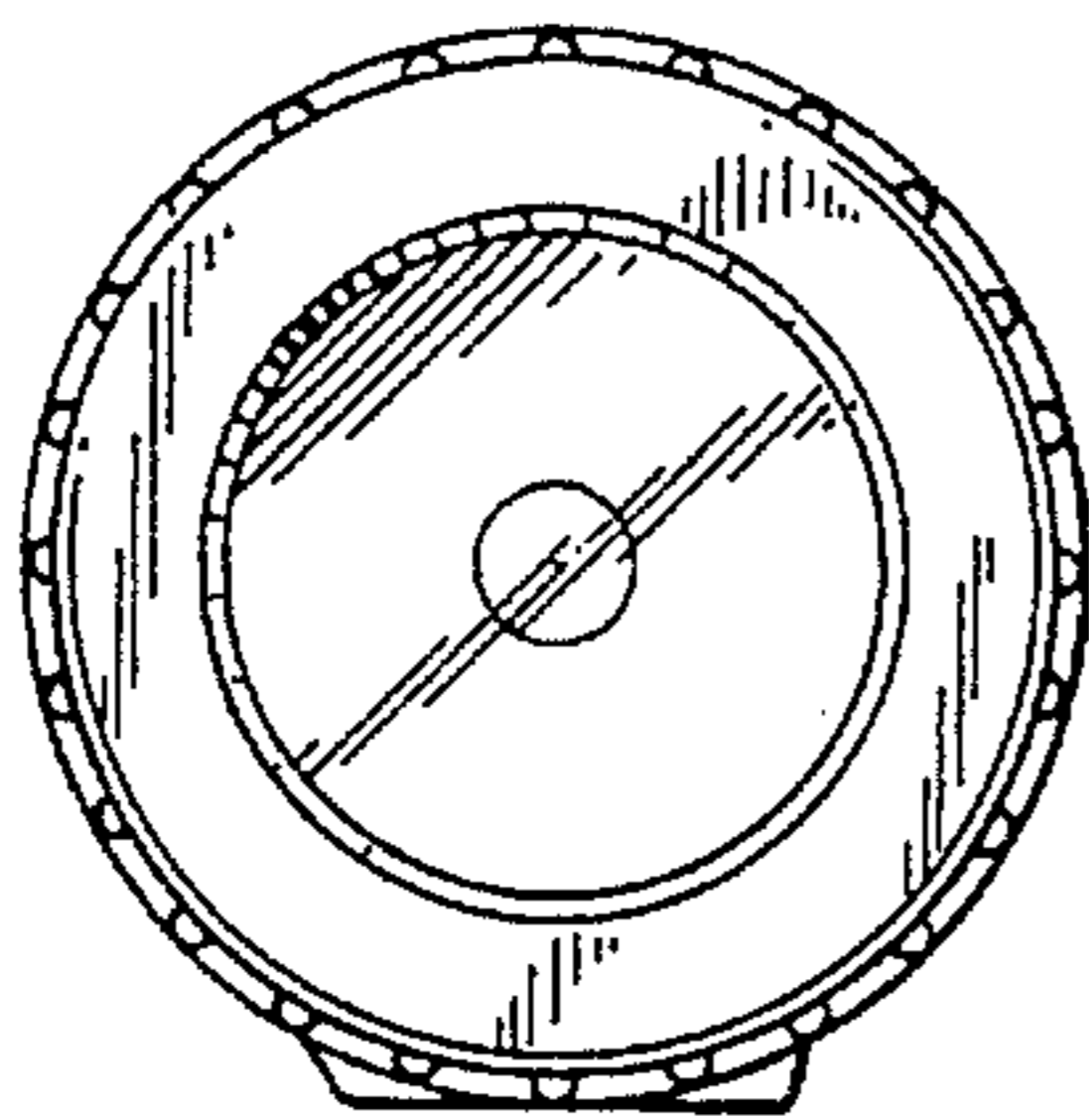


FIG. 10

