



US00D367934S

United States Patent [19] Carbone

[11] Patent Number: **Des. 367,934**

[45] Date of Patent: ****Mar. 12, 1996**

[54] HEAD FOR A FLASHLIGHT

[75] Inventor: **Richard J. Carbone**, Southbury, Conn.

[73] Assignee: **Black & Decker Inc.**, Newark, Del.

[**] Term: **14 Years**

[21] Appl. No.: **34,504**

[22] Filed: **Feb. 6, 1995**

[52] U.S. Cl. **D26/43**

[58] Field of Search D26/37, 43-44,
D26/46, 49, 60, 62; 365/157, 158, 184,
188, 189, 198, 199, 200, 396

[56] References Cited

U.S. PATENT DOCUMENTS

- D. 147,258 8/1947 Becker .
- D. 152,584 2/1949 Becker .
- D. 166,073 3/1952 Dunkelberger .
- D. 190,295 5/1961 Becker et al. .
- D. 192,935 5/1962 Becker et al. .
- D. 240,322 6/1976 Staub .
- D. 272,476 1/1984 McClosky et al. D26/46
- D. 281,820 12/1985 Oba et al. D26/43
- D. 283,645 4/1986 Tanaka et al. D26/43
- D. 292,010 7/1987 Fenne .
- D. 292,131 9/1987 Fenne .
- D. 296,478 6/1988 Powell et al. .
- D. 302,325 7/1989 Charet et al. D26/60
- D. 304,089 10/1989 Wan .
- D. 306,351 2/1990 Charet et al. D26/43
- D. 314,246 1/1991 Bache D26/62
- D. 320,463 10/1991 Pettersen et al. D26/46 R X
- D. 321,062 10/1991 Bonbright .
- D. 322,681 12/1991 Yuen .
- D. 328,146 7/1992 Sinsteden D26/29
- D. 329,504 9/1992 Yuen .
- D. 334,822 4/1993 Antognazza .
- D. 337,839 7/1993 Zeller D26/43
- D. 338,542 8/1993 Yuen .
- D. 341,220 11/1993 Eagan .
- D. 345,811 4/1994 Van Deursen D26/46
- 599,543 2/1898 Whitaker .
- 2,467,954 4/1949 Becker .
- 2,581,129 1/1952 Muldoon .

(List continued on next page.)

FOREIGN PATENT DOCUMENTS

- 004397 11/1984 Germany .
- 8907549 10/1989 Germany .
- 9100685 1/1991 Germany .
- 9307238 9/1993 Germany .
- 604541 7/1983 Japan .
- 609211 9/1983 Japan .
- 644196 1/1985 Japan .
- 650703 5/1985 Japan .
- 669446 12/1985 Japan .
- 670458 1/1986 Japan .
- 671733 2/1986 Japan .
- 671712 2/1986 Japan .
- 671734 2/1986 Japan .
- 685931 5/1986 Japan .
- 685936 8/1986 Japan .
- 685937 8/1986 Japan .
- 694405 12/1986 Japan .
- 832350 11/1992 Japan .

OTHER PUBLICATIONS

PS For Kids—Editors of Popular Science Magazine—pp. 28 and 29 (Sep./Oct. 1992).

Primary Examiner—Susan J. Lucas
Attorney, Agent, or Firm—Barry E. Deutsch

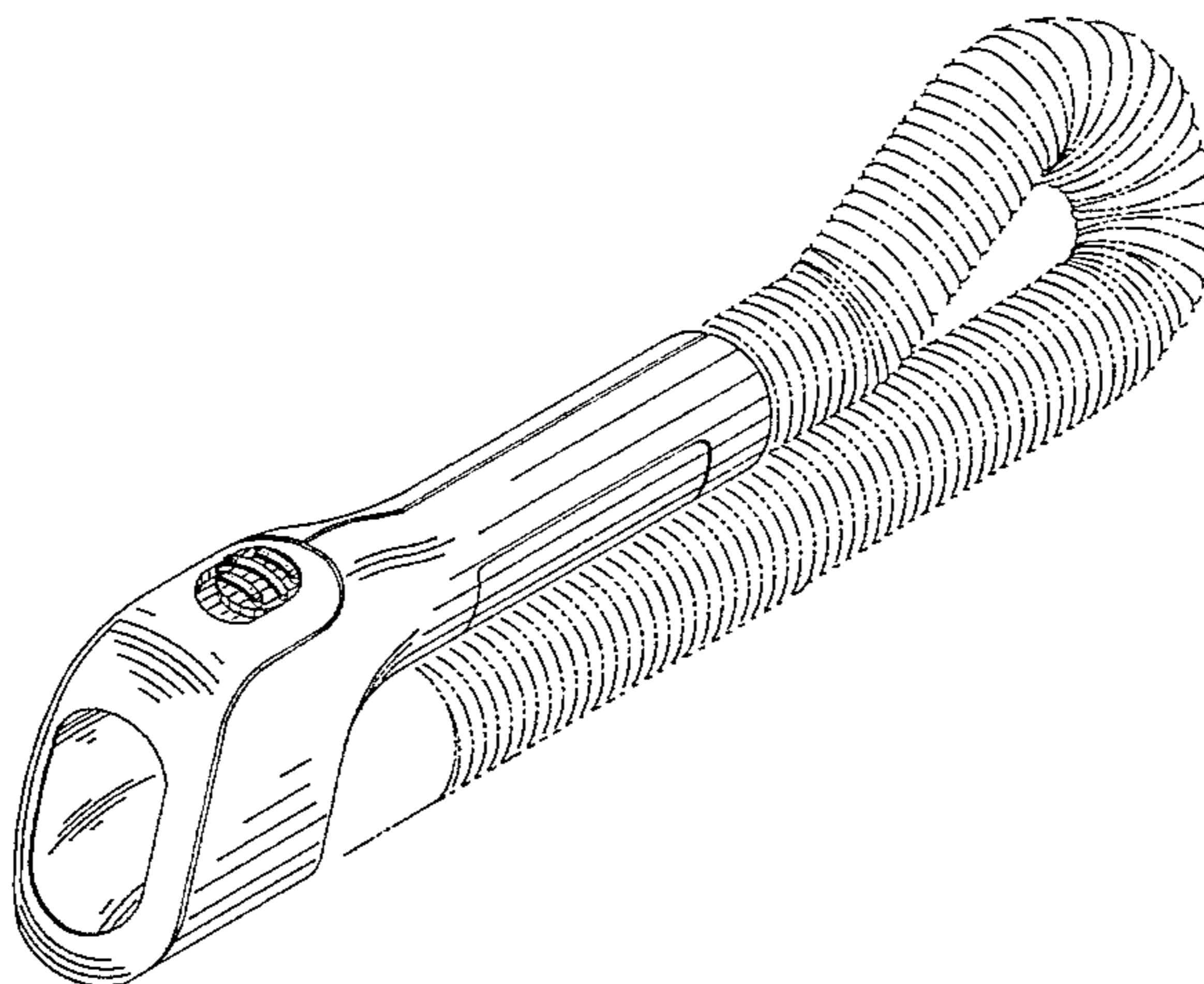
[57] CLAIM

The ornamental design for a head of a flashlight, as shown and described.

DESCRIPTION

FIG. 1 is a perspective view of a head for a flashlight taken from the front, top and right side thereof showing my new design, the portion shown in phantom is illustrative of a flexible core to which my new design may be attached; FIG. 2 is a right side elevational view thereof; FIG. 3 is a left side elevational view thereof; FIG. 4 is a top plan view thereof; FIG. 5 is a bottom plan view thereof; FIG. 6 is a front elevational view thereof; and, FIG. 7 is a rear elevational view thereof. The broken lines are shown for illustrative purposes only and form no part of the claimed design.

1 Claim, 3 Drawing Sheets



Des. 367,934

Page 2

U.S. PATENT DOCUMENTS

2,648,762	8/1953	Dunkelberger .		4,803,605	2/1989	Schallet et al. .	
2,805,325	9/1957	Crawford	362/191	4,839,599	6/1989	Fischer .	
3,103,723	9/1963	Becker .		4,903,178	2/1990	Englot et al.	362/183
3,111,277	11/1963	Grimsley .		5,103,384	4/1992	Drohan .	
3,393,311	7/1968	Dahl .		5,154,483	3/1992	Glassford .	
3,393,312	7/1968	Dahl .		5,163,752	4/1992	Drohan .	
3,731,084	5/1973	Trevorrow .		5,268,826	10/1992	Greene .	
4,495,550	1/1985	Visciano .		5,276,596	1/1994	Krenzel .	
				5,385,500	1/1995	Schmidt	362/189 X

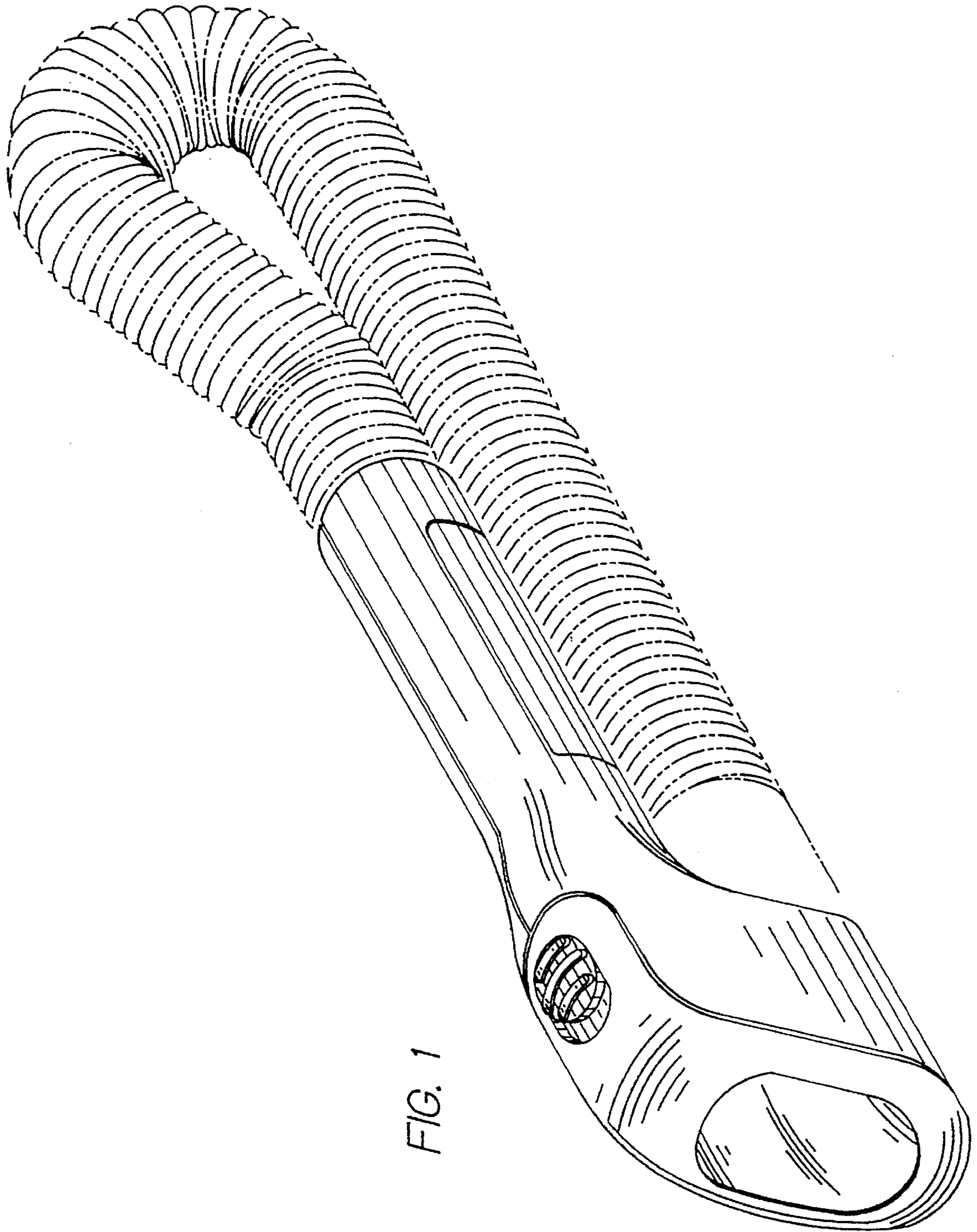


FIG. 1

FIG. 2

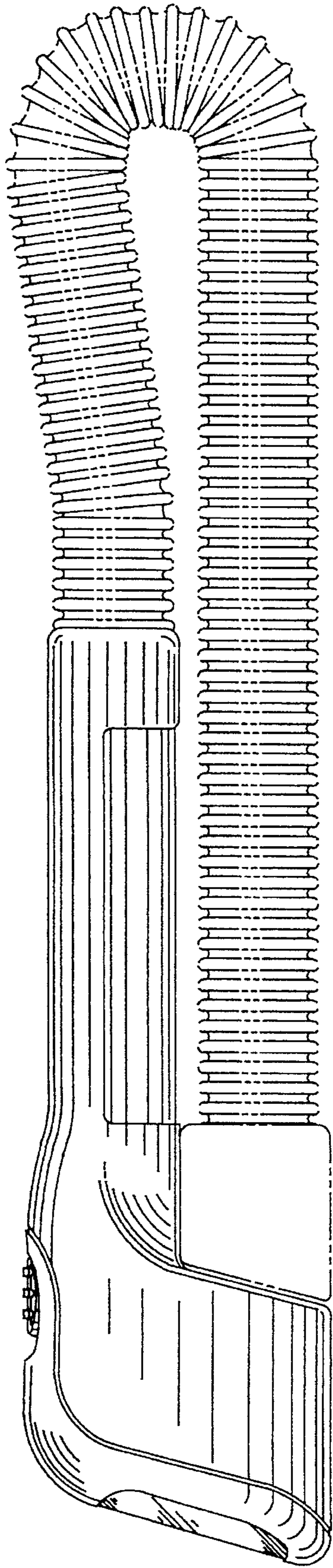


FIG. 3

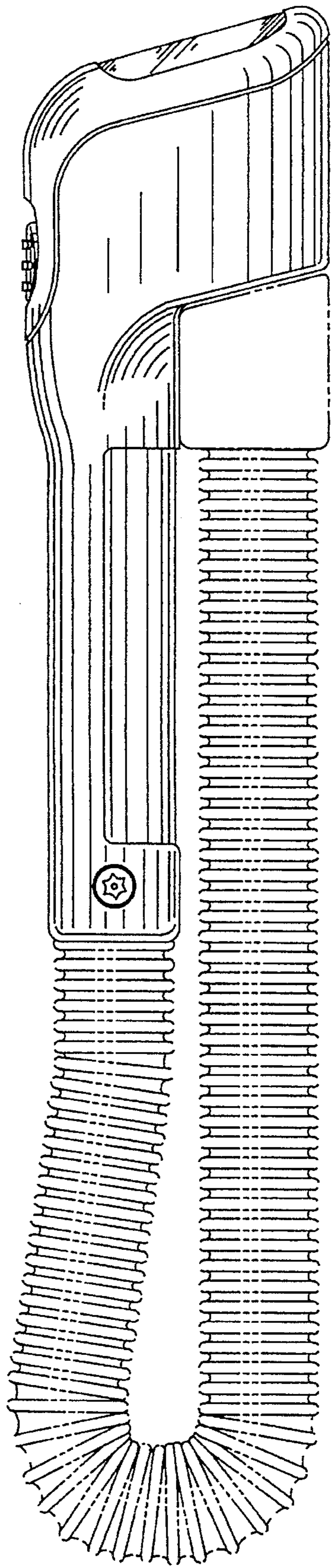


FIG. 4

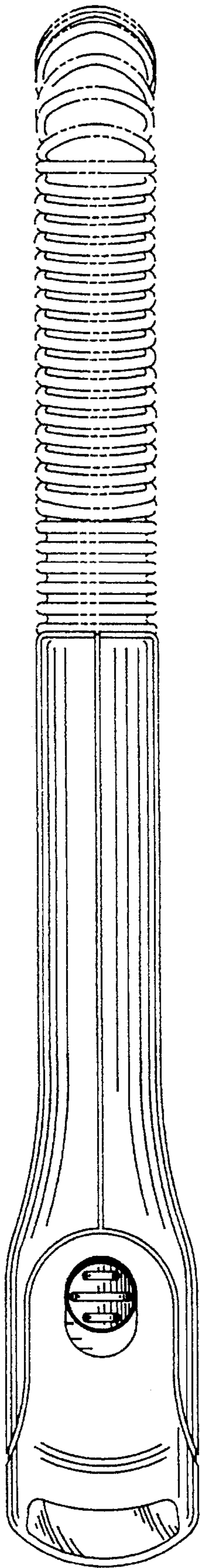


FIG. 5

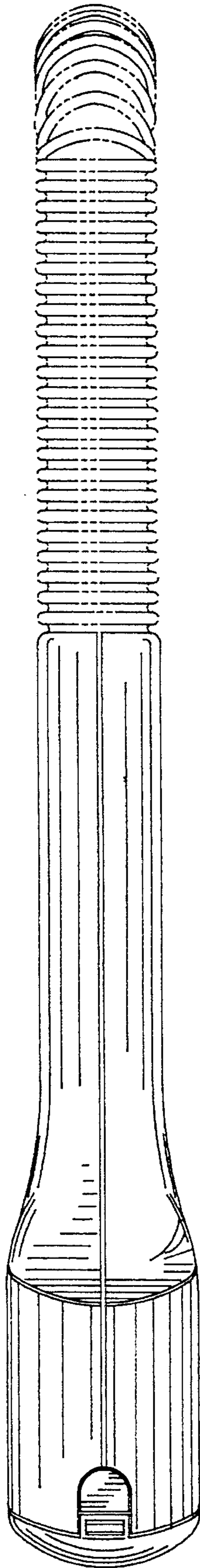


FIG. 6

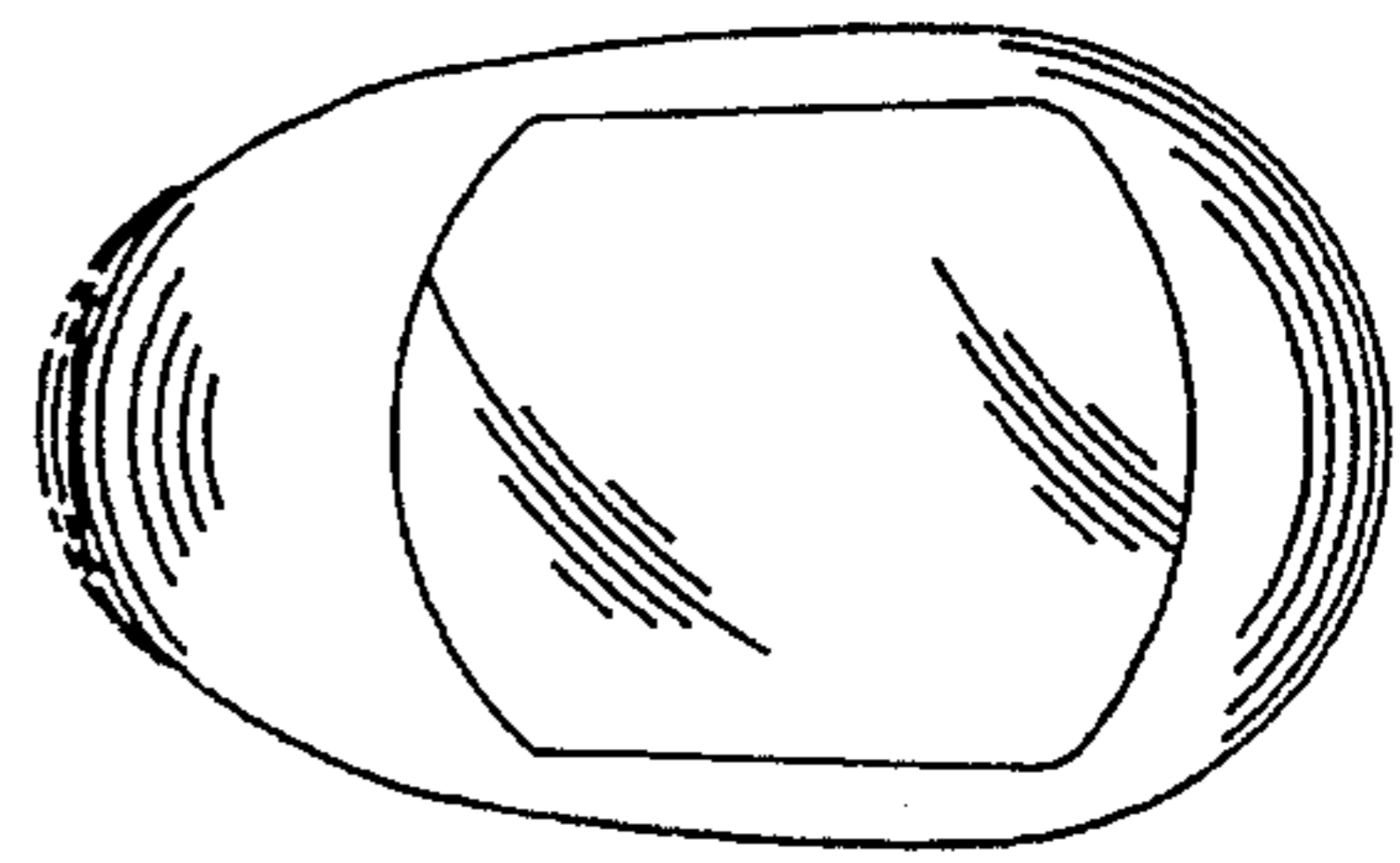


FIG. 7

